

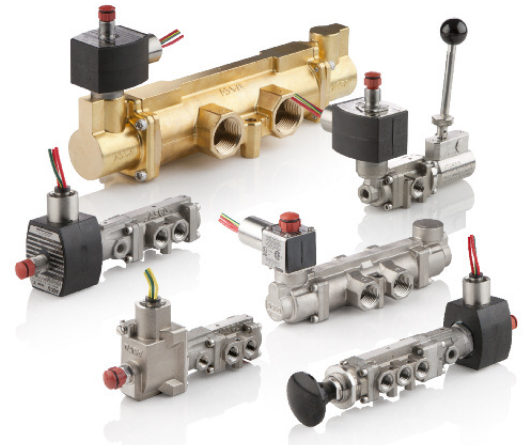
ASCO™ Spool Valves

Pilot Operated, Explosion-Proof, Low Power Solenoid Valves | 1/4" - 1" NPT

3/2
SERIES
362/562

Features

- Ideal for valve automation for the oil and gas market
- Reliable, robust design with high flow performance
- Corrosion Resistant - 316L Stainless Steel valve materials make it ideal for offshore and harsh environments
- Solenoid options with Factory Sealed Leads reduces installation time
- Explosion-proof solenoid options
- ATEX & IECEx, UL and CSA global approval options for hazardous locations
- Rated for air, inert gas and sweet dry natural gas
- SIL 3 Capable options
- Manual override option



Construction

Valve Parts in Contact with Fluids	
Body	316L Stainless Steel, Brass
Spring	Cobalt Alloy
Seals	FKM (standard), Low Temp NBR (optional)
Core and Plugnut	430F Stainless Steel
Spool	316L Stainless Steel

Electrical

Solenoid Options	Insulation Class	Wattage	Spare Coil Part Number
Intrinsically Safe	H	0.48 W	298006
Ultra Low Power Explosionproof	F/H	0.55/0.7 W	274714/274914
Ultra Low Power General Purpose	F/H	0.55/0.7 W	238710/238910
Ultra Low Power DIN	F	0.55 W	238712
Intrinsically Safe DIN	H	0.48 W	298008
Electronically Enhanced General Purpose	H	1.2 to 1.5 W	250404
Electronically Enhanced Explosion Proof Div. 2	H	1.2 to 1.5 W	250504
Standard Low Power	F/H	1.4 W/1.8 W	274714/274914
Compact Low Power	F	1.8 W	437962
Standard AC	F/H	10.1 W	274614/274814
Standard DC	F/H	11.6 W	274714/274914
Stainless Steel Encapsulated	F	1.8 W	505434
Surge Suppression	F/F/H	0.75/1.7/2.0 W	276007/276007/523130

IMPORTANT: Supervisory & leakage current above the drop out current listed will cause improper operation. Consult your local ASCO sales office for additional assistance.

Description	Wattage	Voltage (DC)	Min. Pull In (mA)	Drop Out (mA)	Coil Resistance at 68°F (20°C) (Ohms)
Ultra Low Power	0.55 W	12V	34.0	3.63	255
		24V	17.0	1.80	1025
		48V	8.5	0.91	4080
		125V	3.2	0.34	27,400
Standard Low Power	1.4 W	12 V	83.5	13.9	102
		24 V	42.0	7.0	410
Compact Low Power	1.8 W	12 V	95.0	20.0	80
		24 V	47.0	10.0	320
Stainless Steel Encapsulated	1.8 W	12 V	99.0	18.0	80
		24 V	47.0	10.0	320

Minimum Ambient/Fluid Temp.*

Brass	Stainless Steel
FKM: -4°F (-20°C)	-4°F (-20°C)
NBR: -40°F (-40°C)	-40°F (-40°C)

Note: Low Temperature option for all manual component options: -20°F to 200°F (-29°C to 93°C)

*See next page for solenoid temperature ranges.

Solenoid Enclosures

Standard: Explosionproof and Watertight, Types 4X, 6, & 6P. Refer to Engineering Section for fluid and temp. compatibility.

Approvals

Solenoid Only:

UL and CSA certified for Class I, Div. 1 locations - (except General Purpose and Electronically Enhanced voltage ranging)
 UL and CSA certified for Class I, Div. 2 (Explosion-Proof Electronically Enhanced voltage ranging and JS2D Junction Box)
 ATEX, IECEx: Ex db mb - All Solenoid except Compact Low Power and Stainless Steel Encapsulated
 ATEX, IECEx: Ex db: Stainless Steel Encapsulated Solenoid
 ATEX, IECEx: Ex eb mb: JS2D Junction Box
 SIL 3 Capable options (Excludes manual lever reset constructions)


Refer to Engineering for details.

Important

These solenoid valves are intended for use on clean dry air, inert gas, or sweet dry natural gas filtered to 40 micron or better. The dew point of the media should be at least 10°C (18°F) below the minimum temperature to which any portion of the air, inert gas or sweet dry natural gas system could be exposed to prevent freezing. If lubricated air is used, the lubricants must be compatible with FKM and LT NBR elastomers. Instrument air in compliance with ANSI/ISA Standard 7.0.01-1996 exceeds the above requirements and is, therefore, an acceptable media for these valves.

SPECIAL SERVICE PILOT

Solenoid Derivatives

Solenoid Operator		Watts		Ambient Temp./Fluid AC		Ambient Temp./Fluid DC		
		AC	DC	Min. °F (°C)	Max. °F (°C)	Min. °F (°C)	Max. °F (°C)	
Solenoid								
	EV Explosion-Proof Solenoid	10.1	11.6 1.4 1.7* 0.55 0.75*	-4 (-20) FKM -40 (-40) LT NBR	125 (52)	-4 (-20) FKM -40 (-40) LT NBR	131 (55) For 11.6 W 140 (60) For 1.4 W and 1.7 W 149 (65) For 0.55 W and 0.75 W	
	EVHT High Temperature Explosion-Proof Solenoid	10.1	11.6 2.0* 1.8 0.7	-4 (-20) FKM -40 (-40) LT NBR	140 (60)	-4 (-20) FKM -40 (-40) LT NBR	131 (55) For 11.6 W 176 (80) For 1.8 W and 2.0 W ① 176 (80) For 0.7 W	
	Compact Low Power	-	1.8	-	-	-4 (-20) FKM -40 (-40) LT NBR	200 (93)	
	Intrinsically Safe (IS) (Conduit)	-	0.48	-	-	-4 (-20) FKM -40 (-40) LT NBR	149 (65)	
	Electronically Enhanced Voltage Ranging General Purpose	1.2 to 1.5	1.2 to 1.5				140 (60) - Max -4 (-20) FKM & -40 (-40) LT NBR - Min	
	Electronically Enhanced Voltage Ranging Explosion-Proof - Div. 2	1.2 to 1.5	1.2 to 1.5				140 (60) - Max -4 (-20) FKM & -40 (-40) LT NBR - Min	
	Intrinsically Safe DIN (ISSC)	-	0.48	-	-	-4 (-20) FKM -40 (-40) LT NBR	149 (65)	
	DIN Connection General Purpose	10.1	11.6 1.4 0.55	-4 (-20) FKM -40 (-40) LT NBR	125 (52)	-4 (-20) FKM -40 (-40) LT NBR	131 (55) For 11.6 W 140 (60) For 1.4 W 149 (65) For 0.55 W	
	General Purpose Red-Hat II Solenoid (Conduit)	10.1	11.6 1.4 0.55	-4 (-20) FKM -40 (-40) LT NBR	125 (52)	-4 (-20) FKM -40 (-40) LT NBR	131 (55) For 11.6 W 140 (60) For 1.4 W 149 (65) For 0.55 W	
	General Purpose High Temperature (Class H) Red-Hat II Solenoid (Conduit)	10.1	11.6 1.8 0.7	-4 (-20) FKM -40 (-40) LT NBR	140 (60)	-4 (-20) FKM -40 (-40) LT NBR	131 (55) For 11.6 W 176 (80) For 1.8 W 176 (80) For 0.7 W	
	Stainless Steel Encapsulated 22mm coil Explosion-Proof, Div. 1	-	1.8	-	-	-4 (-20) FKM	194 (90)	
Enclosures								
	JS2D Class I, Div. 2 Junction Box	10.1	11.6 1.4 1.7* 0.55 0.75	-4 (-20) FKM -40 (-40) LT NBR	125 (52)	-4 (-20) FKM -40 (-40) LT NBR	115 (46) (ATEX, IECEx) & 131 (55) (UL, CSA) For 11.6 W 140 (60) For 1.4 W and 1.7 W 149 (65) For 0.55 W and 0.75 W	
	JSIS Intrinsically Safe - Class I, Div. 1 & 2 Junction Box	-	0.48	-	-	-4 (-20) FKM -40 (-40) LT NBR	149 (65)	
	JBFE Class I, Div. 1 Junction Box	10.1	11.6 1.4 1.7* 0.55 0.75*	-4 (-20) FKM -40 (-40) LT NBR	125 (52)	-4 (-20) FKM -40 (-40) LT NBR	131 (55) For 11.6 W 140 (60) For 1.4 W 149 (65) For 0.55 W	
	JBFEHT Class I, Div. 1 (Class H) High-Temperature Junction Box	10.1	11.6 2.0* 1.8 0.7	-4 (-20) FKM -40 (-40) LT NBR	140 (60)	-4 (-20) FKM -40 (-40) LT NBR	131 (55) For 11.6 W 165 (74) For 1.8 W and 2.0 W 176 (80) For 0.7 W	

① 165 (74) (ATEX, IECEx) for LTNBR versions only. FKM - Standard version with FKM seals; LTNBR - Low Temperature NBR version. *Surge suppression.
Note: For additional constructions, please visit the 362/562 configurator at www.asco.com.

How to order

8 362 A 1 01 H1 1 1 2 F1

Connection Type

8 = NPT

Product Series

362 = 3 way for Process Automation
562 = 4 way for Process Automation

(See configurator available at www.asco.com)

ASCO™ Spool Valves

Pilot Operated, Explosion-Proof, Low Power Solenoid Valves | 1/4" - 1" NPT

**3/2
SERIES
362/562**

Specifications English units (Metric)

Pipe Size (in)	Base Catalog Number ①		Function ④	Solenoid Orientation	Flow Cv (Kv)	Main Operating Pressure Differential psi (bar) ②		External Pilot Pressure psi (bar) ②		Max. Fluid Temp. ③ F (°C)	Product Weight lbs (kgs)	Const. Ref.
	Stainless Steel	Brass				Min.	Max.	Min.	Max.			
3/2 - Normally Closed / Internally Piloted												
1/4"	8362A101H181	-	Single Solenoid/Spring Return	Straight	2.0 (1.7)	25 (1.7)	150 (10.3)	-	-	200 (93)	2.13 (0.97)	1
1/4"	8362A102H181	-	Single Solenoid, Palm Button /Spring Return	Straight	2.0 (1.7)	25 (1.7)	150 (10.3)	-	-	200 (93)	2.33 (1.06)	2
1/4"	8362A104H181	-	Single Solenoid With Latching/Spring Return	Straight	2.0 (1.7)	25 (1.7)	150 (10.3)	-	-	200 (93)	2.38 (1.08)	3
1/4"	8362A105H181	-	Single Solenoid, Palm Button With Latching/Spring Return	Straight	2.0 (1.7)	25 (1.7)	150 (10.3)	-	-	200 (93)	2.4 (1.09)	4
1/4"	8362A102H181	-	Single Solenoid, Palm Button /Spring Return	90° Solenoid	2.0 (1.7)	25 (1.7)	150 (10.3)	-	-	200 (93)	2.79 (1.27)	6
1/4"	8362A104H181	-	Single Solenoid With Latching/Spring Return	90° Solenoid	2.0 (1.7)	25 (1.7)	150 (10.3)	-	-	200 (93)	3.52 (1.6)	7
1/4"	8362A105H181	-	Single Solenoid, Palm Button With Latching/Spring Return	90° Solenoid	2.0 (1.7)	25 (1.7)	150 (10.3)	-	-	200 (93)	3.45 (1.57)	8
1/4"	8362A101H181	-	Single Solenoid/Spring Return	90° Solenoid	2.0 (1.7)	25 (1.7)	150 (10.3)	-	-	200 (93)	2.84 (1.29)	5
1/4"	-	8362BA01H181	Single Solenoid/Spring Return	90° Solenoid	1.8 (1.55)	40 (2.8)	150 (10.3)	-	-	200 (93)	2.02 (0.92)	39
1/4"	8362A141H181	-	Solenoid, Manual Lever Return, Latches In Energized Position	90° Solenoid	2.0 (1.7)	25 (1.7)	150 (10.3)	-	-	200 (93)	3.88 (1.76)	33
1/4"	-	8362BA41H181	Solenoid, Manual Lever Return, Latches In Energized Position	90° Solenoid	1.8 (1.55)	25 (1.7)	150 (10.3)	-	-	200 (93)	3.10 (1.41)	35
1/4"	8362A161H181	-	Solenoid Spring Return, Latches In Energized Position	90° Solenoid	2.0 (1.7)	25 (1.7)	150 (10.3)	-	-	200 (93)	3.88 (1.76)	33
1/4"	-	8362BA61H181	Solenoid Spring Return, Latches In Energized Position	90° Solenoid	1.8 (1.55)	40 (2.8)	150 (10.3)	-	-	200 (93)	3.10 (1.41)	35
1/4"	8362A181H181	-	Solenoid Spring Return, Latches In De-energized Position - No Voltage Release	90° Solenoid	2.0 (1.7)	25 (1.7)	150 (10.3)	-	-	200 (93)	3.88 (1.76)	33
1/4"	-	8362BA81H181	Solenoid Spring Return, Latches In De-energized Position - No Voltage Release	90° Solenoid	1.8 (1.55)	40 (2.8)	150 (10.3)	-	-	200 (93)	3.10 (1.41)	35
3/8"	8362A201H181	-	Single Solenoid/Spring Return	90° Solenoid	4.8 (4.1)	40 (2.8)	150 (10.3)	-	-	200 (93)	3.42 (1.55)	25
3/8"	8362A241H181	-	Solenoid, Manual Lever Return, Latches In Energized Position	90° Solenoid	4.8 (4.2)	40 (2.8)	150 (10.3)	-	-	200 (93)	3.24 (1.47)	37
3/8"	8362A261H181	-	Solenoid Spring Return, Latches In Energized Position	90° Solenoid	4.8 (4.2)	40 (2.8)	150 (10.3)	-	-	200 (93)	3.24 (1.47)	37
3/8"	8362A281H181	-	Solenoid Spring Return, Latches In De-energized Position - No Voltage Release	90° Solenoid	4.8 (4.2)	40 (2.8)	150 (10.3)	-	-	200 (93)	3.24 (1.47)	37
3/8"	-	8362AC01H181	Single Solenoid/Spring Return	90° Solenoid	4.0 (3.4)	40 (2.8)	150 (10.3)	-	-	200 (93)	4.02 (1.82)	25
3/8"	-	8362AC41H181	Solenoid, Manual Lever Return, Latches In Energized Position	90° Solenoid	4.0 (3.5)	40 (2.8)	150 (10.3)	-	-	200 (93)	3.80 (1.72)	37
3/8"	-	8362AC61H181	Solenoid Spring Return, Latches In Energized Position	90° Solenoid	4.0 (3.5)	40 (2.8)	150 (10.3)	-	-	200 (93)	3.80 (1.72)	37
3/8"	-	8362AC81H181	Solenoid Spring Return, Latches In De-energized Position - No Voltage Release	90° Solenoid	4.0 (3.5)	40 (2.8)	150 (10.3)	-	-	200 (93)	3.80 (1.72)	37
1/2"	8362A301H181	-	Single Solenoid/Spring Return	90° Solenoid	5.6 (4.8)	40 (2.8)	150 (10.3)	-	-	200 (93)	3.36 (1.52)	25
1/2"	8362A341H181	-	Solenoid, Manual Lever Return, Latches In Energized Position	90° Solenoid	5.6 (4.8)	40 (2.8)	150 (10.3)	-	-	200 (93)	3.24 (1.47)	37
1/2"	8362A361H181	-	Solenoid Spring Return, Latches In Energized Position	90° Solenoid	5.6 (4.8)	40 (2.8)	150 (10.3)	-	-	200 (93)	3.24 (1.47)	37
1/2"	8362A381H181	-	Solenoid Spring Return, Latches In De-energized Position - No Voltage Release	90° Solenoid	5.6 (4.8)	40 (2.8)	150 (10.3)	-	-	200 (93)	3.24 (1.47)	37
1/2"	-	8362AD01H181	Single Solenoid/Spring Return	90° Solenoid	5.0 (4.3)	40 (2.8)	150 (10.3)	-	-	200 (93)	3.91 (1.77)	25
1/2"	-	8362AD41H181	Solenoid, Manual Lever Return, Latches In Energized Position	90° Solenoid	5.0 (4.3)	40 (2.8)	150 (10.3)	-	-	200 (93)	3.80 (1.72)	37
1/2"	-	8362AD61H181	Solenoid Spring Return, Latches In Energized Position	90° Solenoid	5.0 (4.3)	40 (2.8)	150 (10.3)	-	-	200 (93)	3.80 (1.72)	37
1/2"	-	8362AD81H181	Solenoid Spring Return, Latches In De-energized Position - No Voltage Release	90° Solenoid	5.0 (4.3)	40 (2.8)	150 (10.3)	-	-	200 (93)	3.80 (1.72)	37
3/4"	8362A401H181	-	Single Solenoid/Spring Return	90° Solenoid	13.0 (11.2)	50 (3.4)	150 (10.3)	-	-	200 (93)	10.76 (4.88)	29
3/4"	-	8362AE01H181	Single Solenoid/Spring Return	90° Solenoid	13.0 (11.2)	50 (3.4)	150 (10.3)	-	-	200 (93)	11.9 (5.4)	29
1"	8362A501H181	-	Single Solenoid/Spring Return	90° Solenoid	15.5 (13.4)	50 (3.4)	150 (10.3)	-	-	200 (93)	10.45 (4.74)	29
1"	-	8362AF01H181	Single Solenoid/Spring Return	90° Solenoid	15.5 (13.4)	50 (3.4)	150 (10.3)	-	-	200 (93)	11.48 (5.21)	29
3/2 - Normally Closed / Externally Piloted												
1/4"	8362A101H101	-	Single Solenoid/Spring Return	Straight	2.0 (1.7)	0	150 (10.3)	25 (1.7)	150 (10.3)	200 (93)	2.02 (0.92)	1
1/4"	8362A102H101	-	Single Solenoid, Palm Button /Spring Return	Straight	2.0 (1.7)	0	150 (10.3)	25 (1.7)	150 (10.3)	200 (93)	2.33 (1.06)	2
1/4"	8362A104H101	-	Single Solenoid With Latching/Spring Return	Straight	2.0 (1.7)	0	150 (10.3)	25 (1.7)	150 (10.3)	200 (93)	2.38 (1.08)	3
1/4"	8362A105H101	-	Single Solenoid, Palm Button With Latching/Spring Return	Straight	2.0 (1.7)	0	150 (10.3)	25 (1.7)	150 (10.3)	200 (93)	2.4 (1.09)	4
1/4"	8362A102H101	-	Single Solenoid, Palm Button /Spring Return	90° Solenoid	2.0 (1.7)	0	150 (10.3)	25 (1.7)	150 (10.3)	200 (93)	2.79 (1.27)	6
1/4"	8362A104H101	-	Single Solenoid With Latching/Spring Return	90° Solenoid	2.0 (1.7)	0	150 (10.3)	25 (1.7)	150 (10.3)	200 (93)	3.52 (1.6)	7
1/4"	8362A105H101	-	Single Solenoid, Palm Button With Latching/Spring Return	90° Solenoid	2.0 (1.7)	0	150 (10.3)	25 (1.7)	150 (10.3)	200 (93)	3.45 (1.57)	8
1/4"	8362A101H101	-	Single Solenoid/Spring Return	90° Solenoid	2.0 (1.7)	0	150 (10.3)	25 (1.7)	150 (10.3)	200 (93)	2.84 (1.29)	5
1/4"	-	8362BA01H101	Single Solenoid/Spring Return	90° Solenoid	1.8 (1.55)	0	150 (10.3)	40 (2.8)	150 (10.3)	200 (93)	2.02 (0.92)	39
1/4"	8362A141H101	-	Solenoid, Manual Lever Return, Latches In Energized Position	90° Solenoid	2.0 (1.7)	0	150 (10.3)	25 (1.7)	150 (10.3)	200 (93)	3.88 (1.76)	33
1/4"	-	8362BA41H101	Solenoid, Manual Lever Return, Latches In Energized Position	90° Solenoid	1.8 (1.55)	0	150 (10.3)	25 (1.7)	150 (10.3)	200 (93)	3.10 (1.41)	35
1/4"	8362A161H101	-	Solenoid Spring Return, Latches In Energized Position	90° Solenoid	2.0 (1.7)	0	150 (10.3)	25 (1.7)	150 (10.3)	200 (93)	3.88 (1.76)	33
1/4"	-	8362BA61H101	Solenoid Spring Return, Latches In Energized Position	90° Solenoid	1.8 (1.55)	0	150 (10.3)	40 (2.8)	150 (10.3)	200 (93)	3.10 (1.41)	35
1/4"	8362A181H101	-	Solenoid Spring Return, Latches In De-energized Position - No Voltage Release	90° Solenoid	2.0 (1.7)	0	150 (10.3)	25 (1.7)	150 (10.3)	200 (93)	3.88 (1.76)	33
1/4"	-	8362BA81H101	Solenoid Spring Return, Latches In De-energized Position - No Voltage Release	90° Solenoid	1.8 (1.55)	0	150 (10.3)	40 (2.8)	150 (10.3)	200 (93)	3.10 (1.41)	35
3/8"	8362A201H101	-	Single Solenoid / Spring return	90° Solenoid	4.8 (4.1)	0	200 (13.8)	40 (2.8)	150 (10.3)	200 (93)	3.42 (1.55)	25
3/8"	8362A241H101	-	Solenoid, Manual Lever Return, Latches In Energized Position	90° Solenoid	4.8 (4.2)	0	200 (13.8)	40 (2.8)	150 (10.3)	200 (93)	3.24 (1.47)	37
3/8"	8362A261H101	-	Solenoid Spring Return, Latches In Energized Position	90° Solenoid	4.8 (4.2)	0	200 (13.8)	40 (2.8)	150 (10.3)	200 (93)	3.24 (1.47)	37
3/8"	8362A281H101	-	Solenoid Spring Return, Latches In De-energized Position - No Voltage Release	90° Solenoid	4.8 (4.2)	0	200 (13.8)	40 (2.8)	150 (10.3)	200 (93)	3.24 (1.47)	37
3/8"	-	8362AC01H101	Single Solenoid / Spring return	90° Solenoid	4.0 (3.4)	0	200 (13.8)	40 (2.8)	150 (10.3)	200 (93)	4.02 (1.82)	25
3/8"	-	8362AC41H101	Solenoid, Manual Lever Return, Latches In Energized Position	90° Solenoid	4.0 (3.5)	0	200 (13.8)	40 (2.8)	150 (10.3)	200 (93)	3.80 (1.72)	37
3/8"	-	8362AC61H101	Solenoid Spring Return, Latches In Energized Position	90° Solenoid	4.0 (3.5)	0	200 (13.8)	40 (2.8)	150 (10.3)	200 (93)	3.80 (1.72)	37
3/8"	-	8362AC81H101	Solenoid Spring Return, Latches In De-energized Position - No Voltage Release	90° Solenoid	4.0 (3.5)	0	200 (13.8)	40 (2.8)	150 (10.3)	200 (93)	3.80 (1.72)	37
1/2"	8362A301H101	-	Single Solenoid / Spring return	90° Solenoid	5.6 (4.8)	0	200 (13.8)	40 (2.8)	150 (10.3)	200 (93)	3.36 (1.52)	25
1/2"	8362A341H101	-	Solenoid, Manual Lever Return, Latches In Energized Position	90° Solenoid	5.6 (4.8)	0	200 (13.8)	40 (2.8)	150 (10.3)	200 (93)	3.24 (1.47)	37
1/2"	8362A361H101	-	Solenoid Spring Return, Latches In Energized Position	90° Solenoid	5.6 (4.8)	0	200 (13.8)	40 (2.8)	150 (10.3)	200 (93)	3.24 (1.47)	37
1/2"	8362A381H101	-	Solenoid Spring Return, Latches In De-energized Position - No Voltage Release	90° Solenoid	5.6 (4.8)	0	200 (13.8)	40 (2.8)	150 (10.3)	200 (93)	3.24 (1.47)	37
1/2"	-	8362AD01H101	Single Solenoid / Spring return	90° Solenoid	5.0 (4.3)	0	200 (13.8)	40 (2.8)	150 (10.3)	200 (93)	3.91 (1.77)	25
1/2"	-	8362AD41H101	Solenoid, Manual Lever Return, Latches In Energized Position	90° Solenoid	5.0 (4.3)	0	200 (13.8)	40 (2.8)	150 (10.3)	200 (93)	3.80 (1.72)	37
1/2"	-	8362AD61H101	Solenoid Spring Return, Latches In Energized Position	90° Solenoid	5.0 (4.3)	0	200 (13.8)	40 (2.8)	150 (10.3)	200 (93)	3.80 (1.72)	37
1/2"	-	8362AD81H101	Solenoid Spring Return, Latches In De-energized Position - No Voltage Release	90° Solenoid	5.0 (4.3)	0	200 (13.8)	40 (2.8)	150 (10.3)	200 (93)	3.80 (1.72)	37
3/4"	8362A401H101	-	Single Solenoid/Spring Return	90° Solenoid	13.0 (11.2)	0	200 (13.8)	50 (3.4)	150 (10.3)	200 (93)	10.86 (4.93)	29
3/4"	-	8362AE01H101	Single Solenoid/Spring Return	90° Solenoid	13.0 (11.2)	0	200 (13.8)	50 (3.4)	150 (10.3)	200 (93)	11.9 (5.4)	29
1"	8362A501H101	-	Single Solenoid/Spring Return	90° Solenoid	15.5 (13.4)	0	200 (13.8)	50 (3.4)	150 (10.3)	200 (93)	10.58 (4.8)	29
1"	-	8362AF01H101	Single Solenoid/Spring Return	90° Solenoid	15.5 (13.4)	0	200 (13.8)	50 (3.4)	150 (10.3)	200 (93)	11.48 (5.21)	29

① Please refer to the How to Order section to complete base catalog number selection.

② MOPD values specified are for Compact Low Power versions (1.8 W).

Please visit our website to obtain MOPD's per all solenoid types.

③ Maximum fluid temperature cannot exceed solenoid fluid temperature.

④ 1/4", 3/8", and 1/2" brass and stainless steel valves can be used as selector valves with two different input pressures with no change to existing ratings. 3/4" and 1" valves can be used as selectors with LTNR versions limited to -31°F (-35°C). In a selector valve, one pressure is applied to Port 1 and another pressure applied to Port 3. Operating the valve allows the user to select which input pressure will flow through Port 2. Port 2 will always be pressurized. Consult I&M sheet for more information.

SPECIAL SERVICE PILOT



Visit our website at www.Emerson.com/ASCO or contact us at (800) 972-2726
 青岛秉诚自动化设备有限公司
 地址：中国·青岛市重庆南路99号海尔云街甲3号楼7F

服务热线：4006-918-365
 网址：<http://www.asco.store>

EMERSON
 传真：(86-532)8510-365

Specifications English units (Metric)

Pipe Size (in)	Base Catalog Number ①		Function ④	Solenoid Orientation	Flow Cv (Kv)	Main Operating Pressure Differential psi (bar) ②		External Pilot Pressure psi (bar) ②		Max. Fluid Temp. ③ °F (°C)	Product Weight lbs (kgs)	Const. Ref.
	Stainless Steel	Brass				Min.	Max.	Min.	Max.			
3/2 - Normally Open / Internally Piloted												
1/4"	8362A101H191	-	Single Solenoid/Spring Return	Straight	2.0 (1.7)	25 (1.7)	150 (10.3)	-	-	200 (93)	2.02 (0.92)	1
1/4"	8362A102H191	-	Single Solenoid, Palm Button /Spring Return	Straight	2.0 (1.7)	25 (1.7)	150 (10.3)	-	-	200 (93)	2.33 (1.06)	2
1/4"	8362A104H191	-	Single Solenoid With Latching/Spring Return	Straight	2.0 (1.7)	25 (1.7)	150 (10.3)	-	-	200 (93)	2.38 (1.08)	3
1/4"	8362A105H191	-	Single Solenoid, Palm Button With Latching/Spring Return	Straight	2.0 (1.7)	25 (1.7)	150 (10.3)	-	-	200 (93)	2.4 (1.09)	4
1/4"	8362A102H191	-	Single Solenoid, Palm Button /Spring Return	90° Solenoid	2.0 (1.7)	25 (1.7)	150 (10.3)	-	-	200 (93)	2.79 (1.27)	6
1/4"	8362A104H191	-	Single Solenoid With Latching/Spring Return	90° Solenoid	2.0 (1.7)	25 (1.7)	150 (10.3)	-	-	200 (93)	3.52 (1.6)	7
1/4"	8362A105H191	-	Single Solenoid, Palm Button With Latching/Spring Return	90° Solenoid	2.0 (1.7)	25 (1.7)	150 (10.3)	-	-	200 (93)	3.45 (1.57)	8
1/4"	8362A101H191	-	Single Solenoid/Spring Return	90° Solenoid	2.0 (1.7)	25 (1.7)	150 (10.3)	-	-	200 (93)	2.84 (1.29)	5
1/4"	-	8362BA01H191	Single Solenoid/Spring Return	90° Solenoid	1.8 (1.55)	40 (2.8)	150 (10.3)	-	-	200 (93)	2.02 (0.92)	39
1/4"	8362A141H191	-	Solenoid, Manual Lever Return, Latches In Energized Position	90° Solenoid	2.0 (1.7)	25 (1.7)	150 (10.3)	-	-	200 (93)	3.88 (1.76)	33
1/4"	-	8362BA41H191	Solenoid, Manual Lever Return, Latches In Energized Position	90° Solenoid	1.8 (1.55)	25 (1.7)	150 (10.3)	-	-	200 (93)	3.10 (1.41)	35
1/4"	8362A161H191	-	Solenoid Spring Return, Latches In Energized Position	90° Solenoid	2.0 (1.7)	25 (1.7)	150 (10.3)	-	-	200 (93)	3.88 (1.76)	33
1/4"	-	8362BA61H191	Solenoid Spring Return, Latches In Energized Position	90° Solenoid	1.8 (1.55)	40 (2.8)	150 (10.3)	-	-	200 (93)	3.10 (1.41)	35
1/4"	8362A181H191	-	Solenoid Spring Return, Latches In De-energized Position - No Voltage Release	90° Solenoid	2.0 (1.7)	25 (1.7)	150 (10.3)	-	-	200 (93)	3.88 (1.76)	33
1/4"	-	8362BA81H191	Solenoid Spring Return, Latches In De-energized Position - No Voltage Release	90° Solenoid	1.8 (1.55)	40 (2.8)	150 (10.3)	-	-	200 (93)	3.10 (1.41)	35
3/8"	8362A201H191	-	Single Solenoid/Spring Return	90° Solenoid	4.8 (4.1)	40 (2.8)	150 (10.3)	-	-	200 (93)	3.42 (1.55)	25
3/8"	8362A241H191	-	Solenoid, Manual Lever Return, Latches In Energized Position	90° Solenoid	4.8 (4.1)	40 (2.8)	150 (10.3)	-	-	200 (93)	3.24 (1.47)	37
3/8"	8362A261H191	-	Solenoid Spring Return, Latches In Energized Position	90° Solenoid	4.8 (4.1)	40 (2.8)	150 (10.3)	-	-	200 (93)	3.24 (1.47)	37
3/8"	8362A281H191	-	Solenoid Spring Return, Latches In De-energized Position - No Voltage Release	90° Solenoid	4.8 (4.1)	40 (2.8)	150 (10.3)	-	-	200 (93)	3.24 (1.47)	37
3/8"	-	8362AC01H191	Single Solenoid/Spring Return	90° Solenoid	4.0 (3.4)	40 (2.8)	150 (10.3)	-	-	200 (93)	4.02 (1.82)	25
3/8"	-	8362AC41H191	Solenoid, Manual Lever Return, Latches In Energized Position	90° Solenoid	4.0 (3.4)	40 (2.8)	150 (10.3)	-	-	200 (93)	1.72 (3.80)	37
3/8"	-	8362AC61H191	Solenoid Spring Return, Latches In Energized Position	90° Solenoid	4.0 (3.4)	40 (2.8)	150 (10.3)	-	-	200 (93)	1.72 (3.80)	37
3/8"	-	8362AC81H191	Solenoid Spring Return, Latches In De-energized Position - No Voltage Release	90° Solenoid	4.0 (3.4)	40 (2.8)	150 (10.3)	-	-	200 (93)	1.72 (3.80)	37
1/2"	8362A301H191	-	Single Solenoid/Spring Return	90° Solenoid	5.6 (4.8)	40 (2.8)	150 (10.3)	-	-	200 (93)	3.36 (1.52)	25
1/2"	8362A341H191	-	Solenoid, Manual Lever Return, Latches In Energized Position	90° Solenoid	5.6 (4.8)	40 (2.8)	150 (10.3)	-	-	200 (93)	3.24 (1.47)	37
1/2"	8362A361H191	-	Solenoid Spring Return, Latches In Energized Position	90° Solenoid	5.6 (4.8)	40 (2.8)	150 (10.3)	-	-	200 (93)	3.24 (1.47)	37
1/2"	8362A381H191	-	Solenoid Spring Return, Latches In De-energized Position - No Voltage Release	90° Solenoid	5.6 (4.8)	40 (2.8)	150 (10.3)	-	-	200 (93)	3.24 (1.47)	37
1/2"	-	8362AD01H191	Single Solenoid/Spring Return	90° Solenoid	5.0 (4.3)	40 (2.8)	150 (10.3)	-	-	200 (93)	3.91 (1.77)	25
1/2"	-	8362AD41H191	Solenoid, Manual Lever Return, Latches In Energized Position	90° Solenoid	5.0 (4.3)	40 (2.8)	150 (10.3)	-	-	200 (93)	1.72 (3.80)	37
1/2"	-	8362AD61H191	Solenoid Spring Return, Latches In Energized Position	90° Solenoid	5.0 (4.3)	40 (2.8)	150 (10.3)	-	-	200 (93)	1.72 (3.80)	37
1/2"	-	8362AD81H191	Solenoid Spring Return, Latches In De-energized Position - No Voltage Release	90° Solenoid	5.0 (4.3)	40 (2.8)	150 (10.3)	-	-	200 (93)	1.72 (3.80)	37
3/4"	8362A401H191	-	Single Solenoid/Spring Return	90° Solenoid	13.0 (11.2)	50 (3.4)	150 (10.3)	-	-	200 (93)	10.76 (4.88)	29
3/4"	-	8362AE01H191	Single Solenoid/Spring Return	90° Solenoid	13.0 (11.2)	50 (3.4)	150 (10.3)	-	-	200 (93)	11.9 (5.4)	29
1"	8362A501H191	-	Single Solenoid/Spring Return	90° Solenoid	15.5 (13.4)	50 (3.4)	150 (10.3)	-	-	200 (93)	10.45 (4.74)	29
1"	-	8362AF01H191	Single Solenoid/Spring Return	90° Solenoid	15.5 (13.4)	50 (3.4)	150 (10.3)	-	-	200 (93)	11.48 (5.21)	29
3/2 - Normally Open / Externally Piloted												
1/4"	8362A101H111	-	Single Solenoid/Spring Return	Straight	2.0 (1.7)	0	150 (10.3)	25 (1.8)	150 (10.3)	200 (93)	2.02 (0.92)	1
1/4"	8362A102H111	-	Single Solenoid, Palm Button /Spring Return	Straight	2.0 (1.7)	0	150 (10.3)	25 (1.8)	150 (10.3)	200 (93)	2.33 (1.06)	2
1/4"	8362A104H111	-	Single Solenoid With Latching/Spring Return	Straight	2.0 (1.7)	0	150 (10.3)	25 (1.8)	150 (10.3)	200 (93)	2.38 (1.08)	3
1/4"	8362A105H111	-	Single Solenoid, Palm Button With Latching/Spring Return	Straight	2.0 (1.7)	0	150 (10.3)	25 (1.8)	150 (10.3)	200 (93)	2.4 (1.09)	4
1/4"	8362A102H111	-	Single Solenoid, Palm Button /Spring Return	90° Solenoid	2.0 (1.7)	0	150 (10.3)	25 (1.8)	150 (10.3)	200 (93)	2.79 (1.27)	6
1/4"	8362A104H111	-	Single Solenoid With Latching/Spring Return	90° Solenoid	2.0 (1.7)	0	150 (10.3)	25 (1.8)	150 (10.3)	200 (93)	3.52 (1.6)	7
1/4"	8362A105H111	-	Single Solenoid, Palm Button With Latching/Spring Return	90° Solenoid	2.0 (1.7)	0	150 (10.3)	25 (1.8)	150 (10.3)	200 (93)	3.45 (1.57)	8
1/4"	8362A101H111	-	Single Solenoid/Spring Return	90° Solenoid	2.0 (1.7)	0	150 (10.3)	25 (1.8)	150 (10.3)	200 (93)	2.84 (1.29)	5
1/4"	-	8362BA01H111	Single Solenoid/Spring Return	90° Solenoid	1.8 (1.55)	0	150 (10.3)	40 (2.8)	150 (10.3)	200 (93)	2.02 (0.92)	39
1/4"	8362A141H111	-	Solenoid, Manual Lever Return, Latches In Energized Position	90° Solenoid	2.0 (1.7)	0	150 (10.3)	25 (1.8)	150 (10.3)	200 (93)	3.88 (1.76)	33
1/4"	-	8362BA41H111	Solenoid, Manual Lever Return, Latches In Energized Position	90° Solenoid	1.8 (1.55)	0	150 (10.3)	25 (1.7)	150 (10.3)	200 (93)	3.10 (1.41)	35
1/4"	8362A161H111	-	Solenoid Spring Return, Latches In Energized Position	90° Solenoid	2.0 (1.7)	0	150 (10.3)	25 (1.8)	150 (10.3)	200 (93)	3.88 (1.76)	33
1/4"	-	8362BA61H111	Solenoid Spring Return, Latches In Energized Position	90° Solenoid	1.8 (1.55)	0	150 (10.3)	40 (2.8)	150 (10.3)	200 (93)	3.10 (1.41)	35
1/4"	8362A181H111	-	Solenoid Spring Return, Latches In De-energized Position - No Voltage Release	90° Solenoid	2.0 (1.7)	0	150 (10.3)	25 (1.8)	150 (10.3)	200 (93)	3.88 (1.76)	33
1/4"	-	8362BA81H111	Solenoid Spring Return, Latches In De-energized Position - No Voltage Release	90° Solenoid	1.8 (1.55)	0	150 (10.3)	40 (2.8)	150 (10.3)	200 (93)	3.10 (1.41)	35
3/8"	8362A201H111	-	Single Solenoid/Spring Return	90° Solenoid	4.8 (4.1)	0	200 (13.8)	40 (2.8)	150 (10.3)	200 (93)	3.42 (1.55)	25
3/8"	8362A241H111	-	Solenoid, Manual Lever Return, Latches In Energized Position	90° Solenoid	4.8 (4.1)	0	200 (13.8)	40 (2.8)	150 (10.3)	200 (93)	3.24 (1.47)	37
3/8"	8362A261H111	-	Solenoid Spring Return, Latches In Energized Position	90° Solenoid	4.8 (4.1)	0	200 (13.8)	40 (2.8)	150 (10.3)	200 (93)	3.24 (1.47)	37
3/8"	8362A281H111	-	Solenoid Spring Return, Latches In De-energized Position - No Voltage Release	90° Solenoid	4.8 (4.1)	0	200 (13.8)	40 (2.8)	150 (10.3)	200 (93)	3.24 (1.47)	37
3/8"	-	8362AC01H111	Single Solenoid/Spring Return	90° Solenoid	4.0 (3.4)	0	200 (13.8)	40 (2.8)	150 (10.3)	200 (93)	4.02 (1.82)	25
3/8"	-	8362AC41H111	Solenoid, Manual Lever Return, Latches In Energized Position	90° Solenoid	4.0 (3.4)	0	200 (13.8)	40 (2.8)	150 (10.3)	200 (93)	3.80 (1.72)	37
3/8"	-	8362AC61H111	Solenoid Spring Return, Latches In Energized Position	90° Solenoid	4.0 (3.4)	0	200 (13.8)	40 (2.8)	150 (10.3)	200 (93)	3.80 (1.72)	37
3/8"	-	8362AC81H111	Solenoid Spring Return, Latches In De-energized Position - No Voltage Release	90° Solenoid	4.0 (3.4)	0	200 (13.8)	40 (2.8)	150 (10.3)	200 (93)	3.80 (1.72)	37
1/2"	8362A301H111	-	Single Solenoid/Spring Return	90° Solenoid	5.6 (4.8)	0	200 (13.8)	40 (2.8)	150 (10.3)	200 (93)	3.36 (1.52)	25
1/2"	8362A341H111	-	Solenoid, Manual Lever Return, Latches In Energized Position	90° Solenoid	5.6 (4.8)	0	200 (13.8)	40 (2.8)	150 (10.3)	200 (93)	3.24 (1.47)	37
1/2"	8362A361H111	-	Solenoid Spring Return, Latches In Energized Position	90° Solenoid	5.6 (4.8)	0	200 (13.8)	40 (2.8)	150 (10.3)	200 (93)	3.24 (1.47)	37
1/2"	8362A381H111	-	Solenoid Spring Return, Latches In De-energized Position - No Voltage Release	90° Solenoid	5.6 (4.8)	0	200 (13.8)	40 (2.8)	150 (10.3)	200 (93)	3.24 (1.47)	37
1/2"	-	8362AD01H111	Single Solenoid/Spring Return	90° Solenoid	5.0 (4.3)	0	200 (13.8)	40 (2.8)	150 (10.3)	200 (93)	3.91 (1.77)	25
1/2"	-	8362AD41H111	Solenoid, Manual Lever Return, Latches In Energized Position	90° Solenoid	5.0 (4.3)	0	200 (13.8)	40 (2.8)	150 (10.3)	200 (93)	3.80 (1.72)	37
1/2"	-	8362AD61H111	Solenoid Spring Return, Latches In Energized Position	90° Solenoid	5.0 (4.3)	0	200 (13.8)	40 (2.8)	150 (10.3)	200 (93)	3.80 (1.72)	37
1/2"	-	8362AD81H111	Solenoid Spring Return, Latches In De-energized Position - No Voltage Release	90° Solenoid	5.0 (4.3)	0	200 (13.8)	40 (2.8)	150 (10.3)	200 (93)	3.80 (1.72)	37
3/4"	8362A401H111	-	Single Solenoid/Spring Return	90° Solenoid	13.0 (11.2)	0	200 (13.8)	50 (3.4)	150 (10.3)	200 (93)	10.86 (4.93)	29
3/4"	-	8362AE01H111	Single Solenoid/Spring Return	90° Solenoid	13.0 (11.2)	0	200 (13.8)	50 (3.4)	150 (10.3)	200 (93)	11.9 (5.4)	29
1"	8362A501H111	-	Single Solenoid/Spring Return	90° Solenoid	15.5 (13.4)	0	200 (13.8)	50 (3.4)	150 (10.3)	200 (93)	10.58 (4.8)	29
1"	-	8362AF01H111	Single Solenoid/Spring Return	90° Solenoid	15.5 (13.4)	0	200 (13.8)	50 (3.4)	150 (10.3)	200 (93)	11.48 (5.21)	29

① Please refer to the How to Order section to complete base catalog number selection.
② MOPD values specified are for Compact Low Power versions (1.8 W). Please visit our website to obtain MOPD's per all solenoid types.
③ Maximum fluid temperature cannot exceed solenoid fluid temperature.

④ 1/4", 3/8", and 1/2" brass and stainless steel valves can be used as selector valves with two different input pressures with no change to existing ratings. 3/4" and 1" valves can be used as selectors with LTNBR versions limited to -31°F (-35°C). In a selector valve, one pressure is applied to Port 1 and another pressure applied to Port 3. Operating the valve allows the user to select which input pressure will flow through Port 2. Port 2 will always be pressurized. Consult I&M sheet for more information.

ASCO™ Spool Valves

Pilot Operated, Explosion-Proof, Low Power Solenoid Valves | 1/4" - 1" NPT

3/2
SERIES
362/562

Specifications English units (Metric)

Pipe Size (in)	Base Catalog Number ①		Function ④	Solenoid Orientation	Flow Cv (Kv)	Main Operating Pressure Differential psi (bar) ②		External Pilot Pressure psi (bar) ②		Max. Fluid Temp. ③ °F (°C)	Product Weight lbs (kgs)	Const. Ref.
	Stainless Steel	Brass				Min.	Max.	Min.	Max.			
3/2 - Normally Closed Detent/Internally Piloted												
1/4"	8362A103H1D1	-	Single Solenoid, Palm Button/Manual Return	Straight	2.0 (1.7)	25 (1.8)	150 (10.3)	-	-	200 (93)	2.51	22
1/4"	8362A103H1D1	-	Single Solenoid, Palm Button/Manual Return	90° Solenoid	2.0 (1.7)	25 (1.8)	150 (10.3)	-	-	200 (93)	2.51	18
3/2 - Normally Closed Detent/Externally Piloted												
1/4"	8362A103H141	-	Single Solenoid, Palm Button/Manual Return	Straight	2.0 (1.7)	0	150 (10.3)	25 (1.8)	150 (10.3)	200 (93)	2.51	22
1/4"	8362A103H141	-	Single Solenoid, Palm Button/Manual Return	90° Solenoid	2.0 (1.7)	0	150 (10.3)	25 (1.8)	150 (10.3)	200 (93)	2.51	18
3/2 - Normally Open Detent/Internally Piloted												
1/4"	8362A103H1E1	-	Single Solenoid, Palm Button/Manual Return	Straight	2.0 (1.7)	25 (1.8)	150 (10.3)	-	-	200 (93)	2.51	22
1/4"	8362A103H1E1	-	Single Solenoid, Palm Button/Manual Return	90° Solenoid	2.0 (1.7)	25 (1.8)	150 (10.3)	-	-	200 (93)	2.51	18
3/2 - Normally Open Detent/Externally Piloted												
1/4"	8362A103H151	-	Single Solenoid, Palm Button/Manual Return	Straight	2.0 (1.7)	0	150 (10.3)	25 (1.8)	150 (10.3)	200 (93)	2.51	22
1/4"	8362A103H151	-	Single Solenoid, Palm Button/Manual Return	90° Solenoid	2.0 (1.7)	0	150 (10.3)	25 (1.8)	150 (10.3)	200 (93)	2.51	18
3/2 - Detent/Internally Piloted												
1/4"	8362A106H1G1	-	Dual Solenoid	Straight	2.0 (1.7)	15 (1.0)	150 (10.3)	-	-	200 (93)	4.49	11
1/4"	8362A106H1G1	-	Dual Solenoid	90° Solenoid	2.0 (1.7)	15 (1.0)	150 (10.3)	-	-	200 (93)	4.49	12
1/4"	-	8362BA06H1G1	Dual Solenoid	90° Solenoid	1.8 (1.55)	15 (1.0)	150 (10.3)	-	-	200 (93)	3.67 (1.67)	41
3/2 - Detent/Externally Piloted												
1/4"	8362A106H171	-	Dual Solenoid	Straight	2.0 (1.7)	0	150 (10.3)	15 (1.0)	150 (10.3)	200 (93)	4.49	11
1/4"	8362A106H171	-	Dual Solenoid	90° Solenoid	2.0 (1.7)	0	150 (10.3)	15 (1.0)	150 (10.3)	200 (93)	4.49	12
1/4"	-	8362BA06H1G1	Dual Solenoid	90° Solenoid	1.8 (1.55)	0	150 (10.3)	-	-	200 (93)	3.67 (1.67)	41
5/2 - Internally Piloted												
1/4"	8562A101H1C1	-	Single Solenoid/Spring Return	Straight	2.0 (1.7)	25 (1.8)	150 (10.3)	N/A	N/A	200 (93)	3.61 (1.64)	13
1/4"	8562A102H1C1	-	Single Solenoid, Palm Button /Spring Return	Straight	2.0 (1.7)	25 (1.8)	150 (10.3)	N/A	N/A	200 (93)	3.92 (1.78)	14
1/4"	8562A104H1C1	-	Single Solenoid With Latching/Spring Return	Straight	2.0 (1.7)	25 (1.8)	150 (10.3)	N/A	N/A	200 (93)	3.96 (1.81)	15
1/4"	8562A105H1C1	-	Single Solenoid, Palm Button With Latching/Spring Return	Straight	2.0 (1.7)	25 (1.8)	150 (10.3)	N/A	N/A	200 (93)	3.99 (1.81)	16
1/4"	8562A102H1C1	-	Single Solenoid, Palm Button /Spring Return	90° Solenoid	2.0 (1.7)	25 (1.8)	150 (10.3)	N/A	N/A	200 (93)	4.38 (1.99)	18
1/4"	8562A104H1C1	-	Single Solenoid With Latching/Spring Return	90° Solenoid	2.0 (1.7)	25 (1.8)	150 (10.3)	N/A	N/A	200 (93)	5.11 (2.32)	19
1/4"	8562A105H1C1	-	Single Solenoid, Palm Button With Latching/Spring Return	90° Solenoid	2.0 (1.7)	25 (1.8)	150 (10.3)	N/A	N/A	200 (93)	5.04 (2.29)	20
1/4"	8562A101H1C1	-	Single Solenoid/Spring Return	90° Solenoid	2.0 (1.7)	25 (1.8)	150 (10.3)	N/A	N/A	200 (93)	4.43 (2.01)	17
1/4"	-	8562BA01H1C1	Single Solenoid/Spring Return	90° Solenoid	1.8 (1.55)	40 (2.8)	150 (10.3)	N/A	N/A	200 (93)	2.55 (1.16)	40
1/4"	8562A141H1C1	-	Solenoid, Manual Lever Return, Latches In Energized Position	90° Solenoid	2.0 (1.7)	25 (1.8)	150 (10.3)	N/A	N/A	200 (93)	4.06 (1.84)	34
1/4"	-	8562BA41H1C1	Solenoid, Manual Lever Return, Latches In Energized Position	90° Solenoid	1.8 (1.55)	25 (1.7)	150 (10.3)	N/A	N/A	200 (93)	3.52 (1.60)	36
1/4"	8562A161H1C1	-	Solenoid Spring Return, Latches In Energized Position	90° Solenoid	2.0 (1.7)	25 (1.8)	150 (10.3)	N/A	N/A	200 (93)	4.06 (1.84)	34
1/4"	-	8562BA61H1C1	Solenoid Spring Return, Latches In Energized Position	90° Solenoid	1.8 (1.55)	40 (2.8)	150 (10.3)	N/A	N/A	200 (93)	3.52 (1.60)	36
1/4"	8562A181H1C1	-	Solenoid Spring Return, Latches In De-energized Position - No Voltage Release	90° Solenoid	2.0 (1.7)	25 (1.8)	150 (10.3)	N/A	N/A	200 (93)	4.06 (1.84)	34
1/4"	-	8562BA81H1C1	Solenoid Spring Return, Latches In De-energized Position - No Voltage Release	90° Solenoid	1.8 (1.55)	40 (2.8)	150 (10.3)	N/A	N/A	200 (93)	3.52 (1.60)	36
3/8"	8562A201H1C1	-	Single Solenoid/Spring Return	90° Solenoid	4.8 (4.2)	40 (2.8)	150 (10.3)	NA	NA	200 (93)	3.98 (1.8)	26
3/8"	8562A241H1C1	-	Solenoid, Manual Lever Return, Latches In Energized Position	90° Solenoid	4.8 (4.2)	40 (2.8)	150 (10.3)	NA	NA	200 (93)	3.75 (1.70)	38
3/8"	8562A261H1C1	-	Solenoid Spring Return, Latches In Energized Position	90° Solenoid	4.8 (4.2)	40 (2.8)	150 (10.3)	NA	NA	200 (93)	3.75 (1.70)	38
3/8"	8562A281H1C1	-	Solenoid Spring Return, Latches In De-energized Position - No Voltage Release	90° Solenoid	4.8 (4.2)	40 (2.8)	150 (10.3)	NA	NA	200 (93)	3.75 (1.70)	38
3/8"	-	8562AC01H1C1	Single Solenoid/Spring Return	90° Solenoid	4.0 (3.5)	40 (2.8)	150 (10.3)	NA	NA	200 (93)	4.72 (2.14)	26
3/8"	-	8562AC41H1C1	Solenoid, Manual Lever Return, Latches In Energized Position	90° Solenoid	4.0 (3.5)	40 (2.8)	150 (10.3)	NA	NA	200 (93)	4.58 (2.08)	38
3/8"	-	8562AC61H1C1	Solenoid Spring Return, Latches In Energized Position	90° Solenoid	4.0 (3.5)	40 (2.8)	150 (10.3)	NA	NA	200 (93)	4.58 (2.08)	38
3/8"	-	8562AC81H1C1	Solenoid Spring Return, Latches In De-energized Position - No Voltage Release	90° Solenoid	4.0 (3.5)	40 (2.8)	150 (10.3)	NA	NA	200 (93)	4.58 (2.08)	38
1/2"	8562A301H1C1	-	Single Solenoid/Spring Return	90° Solenoid	5.6 (4.8)	40 (2.8)	150 (10.3)	NA	NA	200 (93)	3.87 (1.75)	26
1/2"	8562A341H1C1	-	Solenoid, Manual Lever Return, Latches In Energized Position	90° Solenoid	5.6 (4.8)	40 (2.8)	150 (10.3)	NA	NA	200 (93)	3.75 (1.70)	38
1/2"	8562A361H1C1	-	Solenoid Spring Return, Latches In Energized Position	90° Solenoid	5.6 (4.8)	40 (2.8)	150 (10.3)	NA	NA	200 (93)	3.75 (1.70)	38
1/2"	8562A381H1C1	-	Solenoid Spring Return, Latches In De-energized Position - No Voltage Release	90° Solenoid	5.6 (4.8)	40 (2.8)	150 (10.3)	NA	NA	200 (93)	3.75 (1.70)	38
1/2"	-	8562AD01H1C1	Single Solenoid/Spring Return	90° Solenoid	5.0 (4.3)	40 (2.8)	150 (10.3)	NA	NA	200 (93)	4.55 (2.06)	26
1/2"	-	8562AD41H1C1	Solenoid, Manual Lever Return, Latches In Energized Position	90° Solenoid	5.0 (4.3)	40 (2.8)	150 (10.3)	NA	NA	200 (93)	4.58 (2.08)	38
1/2"	-	8562AD61H1C1	Solenoid Spring Return, Latches In Energized Position	90° Solenoid	5.0 (4.3)	40 (2.8)	150 (10.3)	NA	NA	200 (93)	4.58 (2.08)	38
1/2"	-	8562AD81H1C1	Solenoid Spring Return, Latches In De-energized Position - No Voltage Release	90° Solenoid	5.0 (4.3)	40 (2.8)	150 (10.3)	NA	NA	200 (93)	4.58 (2.08)	38
3/4"	8562A401H1C1	-	Single Solenoid/Spring Return	90° Solenoid	13.0 (11.2)	50 (3.4)	150 (10.3)	N/A	N/A	200 (93)	13.92 (6.31)	30
3/4"	-	8562AE01H1C1	Single Solenoid/Spring Return	90° Solenoid	13.0 (11.2)	50 (3.4)	150 (10.3)	N/A	N/A	200 (93)	15.5 (7.03)	30
1"	8562A501H1C1	-	Single Solenoid/Spring Return	90° Solenoid	15.5 (13.4)	50 (3.4)	150 (10.3)	N/A	N/A	200 (93)	13.41 (6.08)	30
1"	-	8562AF01H1C1	Single Solenoid/Spring Return	90° Solenoid	15.5 (13.4)	50 (3.4)	150 (10.3)	N/A	N/A	200 (93)	14.82 (6.72)	30
3/8"	8362A206H1C1	-	Dual Solenoid	90° Solenoid	4.8 (4.1)	20 (1.4)	150 (10.3)	NA	NA	200 (93)	4.56 (2.06)	27
3/8"	-	8362AC06H1C1	Dual Solenoid	90° Solenoid	4.0 (3.4)	20 (1.4)	150 (10.3)	NA	NA	200 (93)	5.04 (2.28)	27
1/2"	8362A306H1C1	-	Dual Solenoid	90° Solenoid	5.6 (4.8)	20 (1.4)	150 (10.3)	NA	NA	200 (93)	4.49 (2.03)	27
1/2"	-	8362AD06H1C1	Dual Solenoid	90° Solenoid	5.0 (4.3)	20 (1.4)	150 (10.3)	NA	NA	200 (93)	4.93 (2.23)	27
3/8"	8562A206H1C1	-	Dual Solenoid	90° Solenoid	4.8 (4.1)	20 (1.4)	150 (10.3)	NA	NA	200 (93)	5.12 (2.32)	28
3/8"	-	8562AC06H1C1	Dual Solenoid	90° Solenoid	4.0 (3.4)	20 (1.4)	150 (10.3)	NA	NA	200 (93)	5.74 (2.6)	28
1/2"	8562A306H1C1	-	Dual Solenoid	90° Solenoid	5.6 (4.8)	20 (1.4)	150 (10.3)	NA	NA	200 (93)	5.01 (2.27)	28
1/2"	-	8562AD06H1C1	Dual Solenoid	90° Solenoid	5.0 (4.3)	20 (1.4)	150 (10.3)	NA	NA	200 (93)	5.57 (2.52)	28
3/4"	8362A406H1C1	-	Dual Solenoid	90° Solenoid	13.0 (11.2)	20 (1.4)	150 (10.3)	N/A	N/A	200 (93)	11.77 (5.34)	31
3/4"	-	8362AE06H1C1	Dual Solenoid	90° Solenoid	13.0 (11.2)	20 (1.4)	150 (10.3)	N/A	N/A	200 (93)	12.68 (5.75)	31
1"	8362A506H1C1	-	Dual Solenoid	90° Solenoid	15.5 (13.4)	20 (1.4)	150 (10.3)	N/A	N/A	200 (93)	15.12 (6.86)	31
1"	-	8362AF06H1C1	Dual Solenoid	90° Solenoid	15.5 (13.4)	20 (1.4)	150 (10.3)	N/A	N/A	200 (93)	16.71 (7.58)	31
3/4"	8562A406H1C1	-	Dual Solenoid	90° Solenoid	13.0 (11.2)	20 (1.4)	150 (10.3)	N/A	N/A	200 (93)	14.61 (6.63)	32
3/4"	-	8562AE06H1C1	Dual Solenoid	90° Solenoid	13.0 (11.2)	20 (1.4)	150 (10.3)	N/A	N/A	200 (93)	15.51 (7.04)	32
1"	8562A506H1C1	-	Dual Solenoid	90° Solenoid	15.5 (13.4)	20 (1.4)	150 (10.3)	N/A	N/A	200 (93)	13.24 (6.01)	32
1"	-	8562AF06H1C1	Dual Solenoid	90° Solenoid	15.5 (13.4)	20 (1.4)	150 (10.3)	N/A	N/A	200 (93)	14.83 (6.73)	32

① Please refer to the How to Order section to complete base catalog number selection.

② MOPD values specified are for Compact Low Power versions (1.8 W).

Please visit our website to obtain MOPD's per all solenoid types.

③ Maximum fluid temperature cannot exceed solenoid fluid temperature.

④ 1/4", 3/8", and 1/2" brass and stainless steel valves can be used as selector valves with two different input pressures with no change to existing ratings. 3/4" and 1" valves can be used as selectors with LTNBR versions limited to -31°F (-35°C). In a selector valve, one pressure is applied to Port 1 and another pressure applied to Port 3. Operating the valve allows the user to select which input pressure will flow through Port 2. Port 2 will always be pressurized. Consult I&M sheet for more information.

Specifications English units (Metric)

Table with columns: Pipe Size (in), Base Catalog Number (Stainless Steel, Brass), Function, Solenoid Orientation, Flow Cv (Kv), Main Operating Pressure Differential (psi (bar) Min., Max.), External Pilot Pressure (psi (bar) Min., Max.), Max. Fluid Temp. (°F (°C)), Product Weight (lbs (kgs)), Const. Ref. Rows include sections for 5/2 - Externally Piloted, 5/2 - Detent/Internally Piloted, and 5/2 - Detent/Externally Piloted.

SPECIAL SERVICE
PILOT

① Please refer to the How to Order section to complete base catalog number selection. ② MOPD values specified are for Compact Low Power versions (1.8 W). Please visit our website to obtain MOPD's per all solenoid types. ③ Maximum fluid temperature cannot exceed solenoid fluid temperature. ④ 1/4", 3/8", and 1/2" brass and stainless steel valves can be used as selector valves with two different input pressures with no change to existing ratings. 3/4" and 1" valves can be used as selectors with LTNBR versions limited to -31°F (-35°C). In a selector valve, one pressure is applied to Port 1 and another pressure applied to Port 3. Operating the valve allows the user to select which input pressure will flow through Port 2. Port 2 will always be pressurized. Consult I&M sheet for more information.

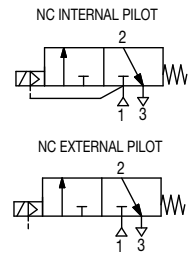
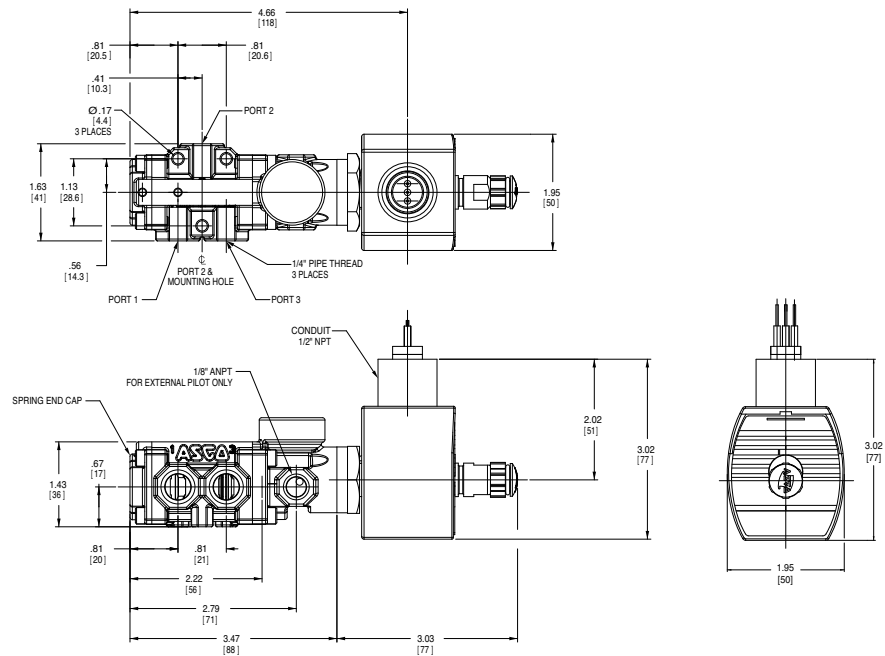
ASCO™ Spool Valves

Pilot Operated, Explosion-Proof, Low Power Solenoid Valves | 1/4" - 1" NPT

3/2
SERIES
362/562

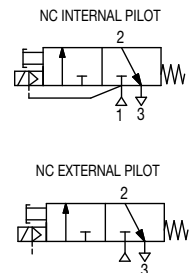
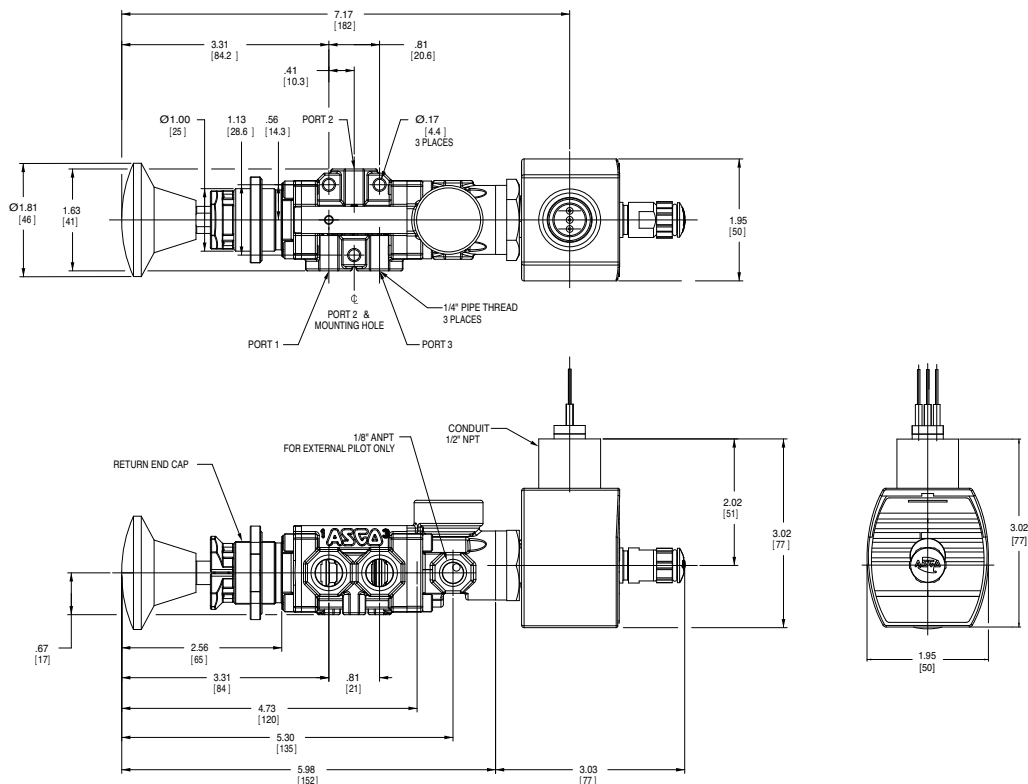
Dimensions: inches (mm)

Const. Ref. 1



Note: For Normally Open constructions the operator and return end cap are switched with respect to ports 1 & 3.

Const. Ref. 2

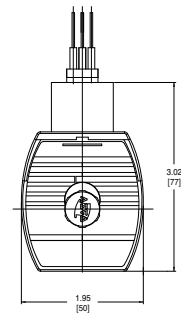
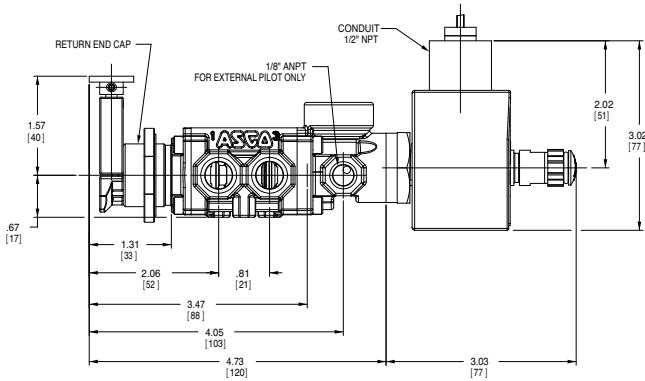
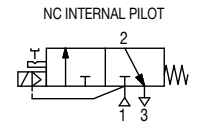
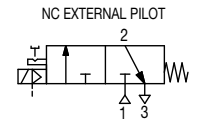
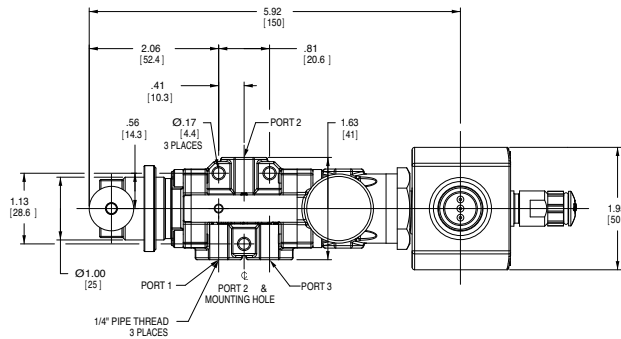


Note: For Normally Open constructions the operator and return end cap are switched with respect to ports 1 & 3.

SPECIAL SERVICE
PILOT

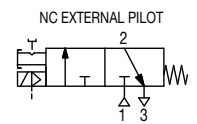
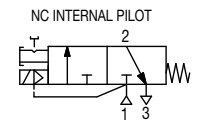
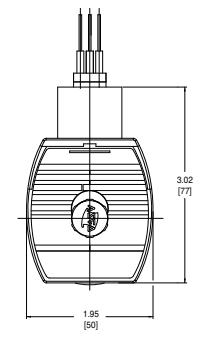
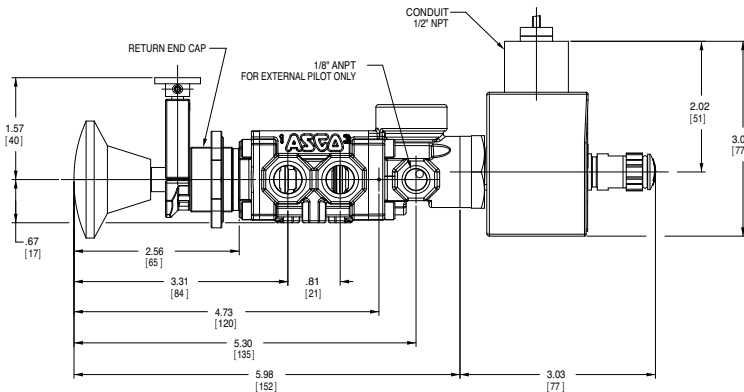
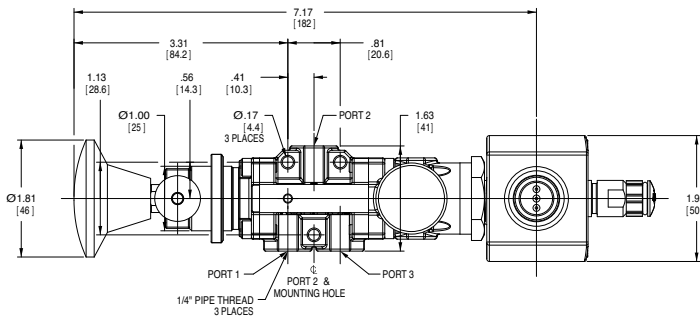
Dimensions: inches (mm)

Const. Ref. 3



Note: For Normally Open constructions the operator and return end cap are switched with respect to ports 1 & 3.

Const. Ref. 4



Note: For Normally Open constructions the operator and return end cap are switched with respect to ports 1 & 3.

SPECIAL SERVICE
PILOT

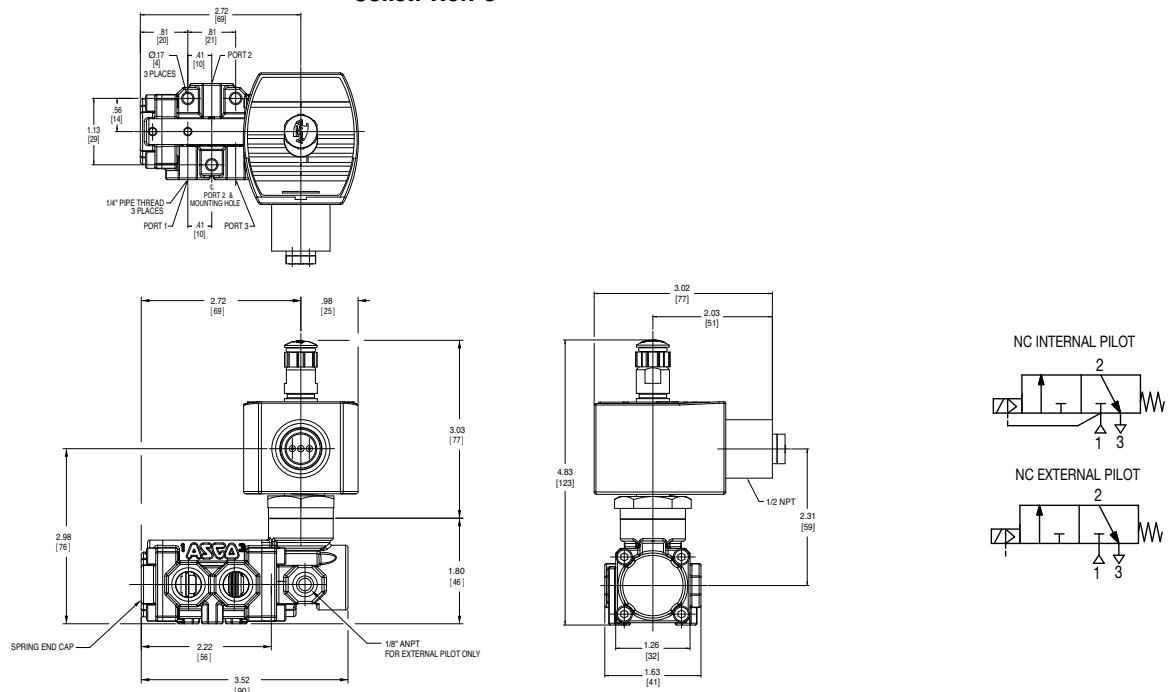
ASCO™ Spool Valves

Pilot Operated, Explosion-Proof, Low Power Solenoid Valves | 1/4" - 1" NPT

3/2
SERIES
362/562

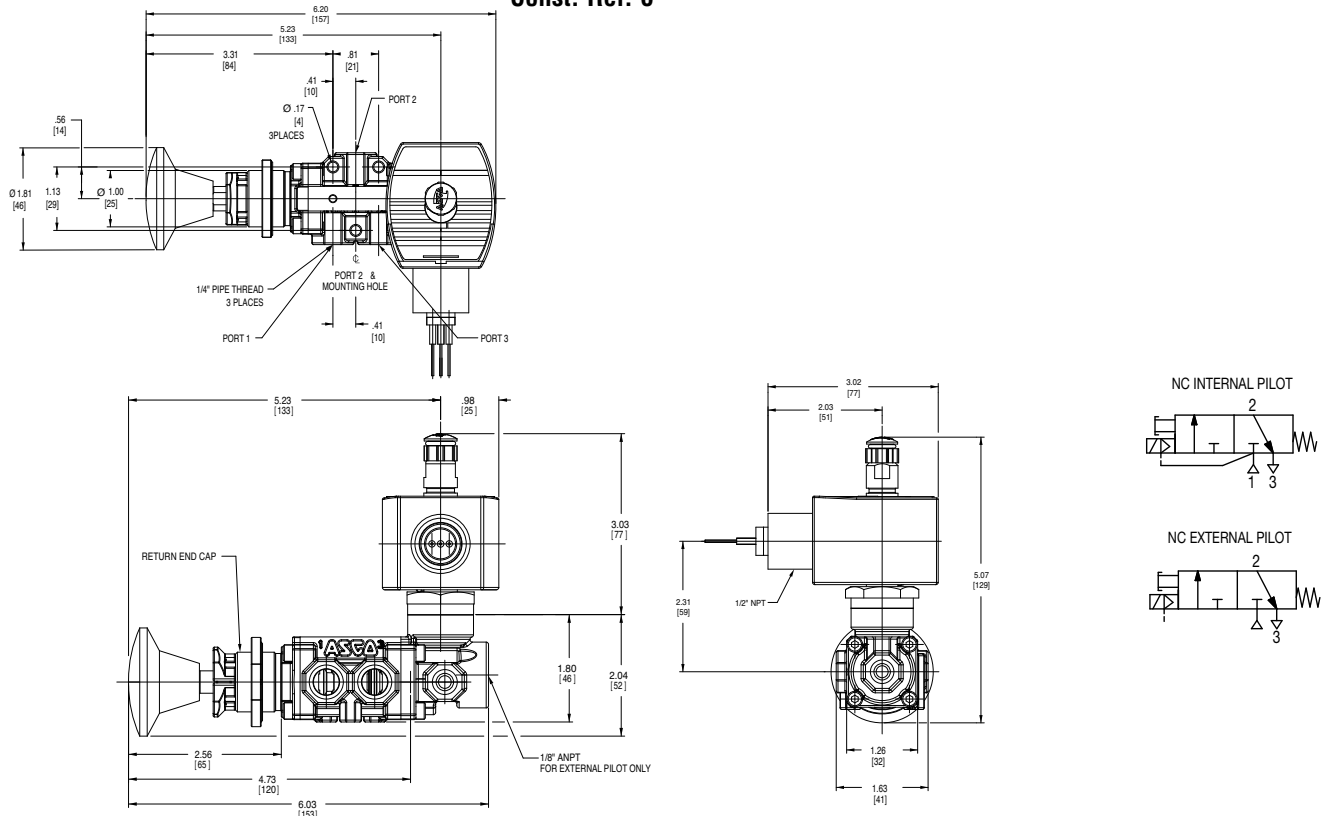
Dimensions: inches (mm)

Const. Ref. 5



Note: For Normally Open constructions the operator and return end cap are switched with respect to ports 1 & 3.

Const. Ref. 6

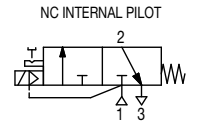
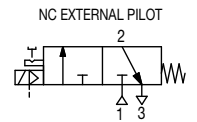
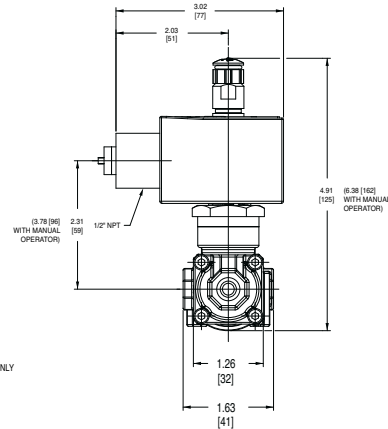
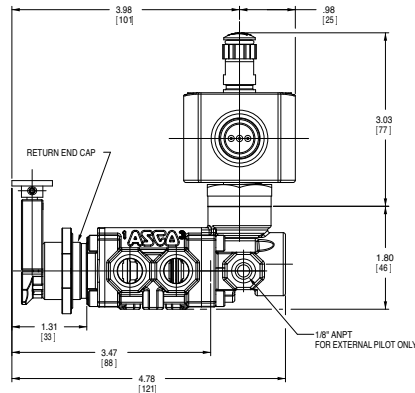
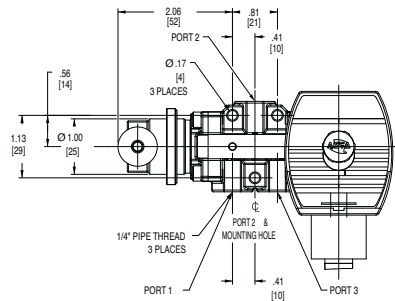


Note: For Normally Open constructions the operator and return end cap are switched with respect to ports 1 & 3.

SPECIAL SERVICE
PILOT

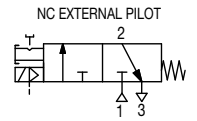
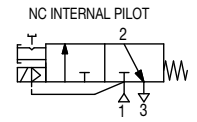
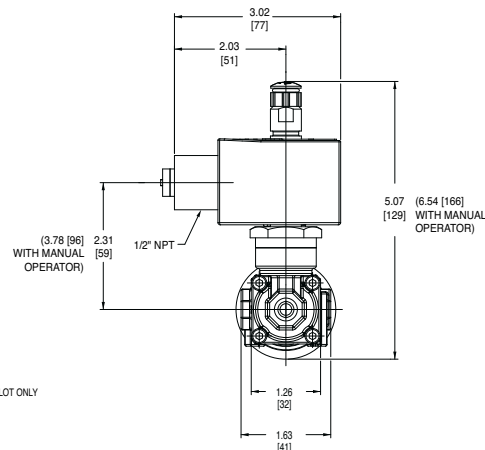
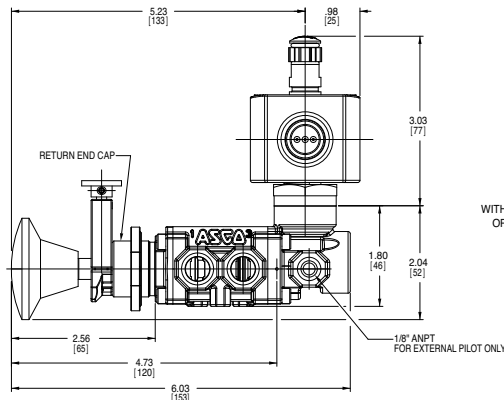
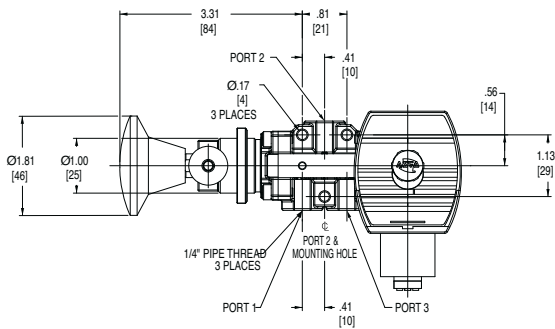
Dimensions: inches (mm)

Const. Ref. 7



Note: For Normally Open constructions the operator and return end cap are switched with respect to ports 1 & 3.

Const. Ref. 8



Note: For Normally Open constructions the operator and return end cap are switched with respect to ports 1 & 3.

SPECIAL SERVICE
PILOT

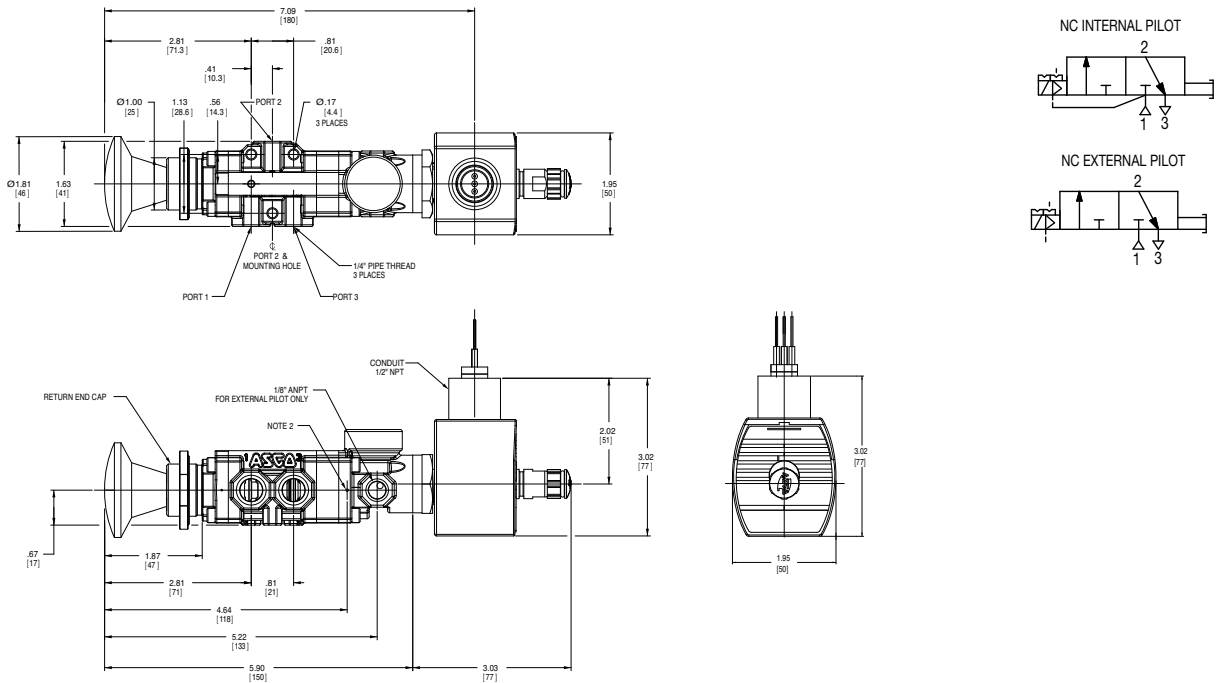
ASCO™ Spool Valves

Pilot Operated, Explosion-Proof, Low Power Solenoid Valves | 1/4" - 1" NPT

3/2
SERIES
362/562

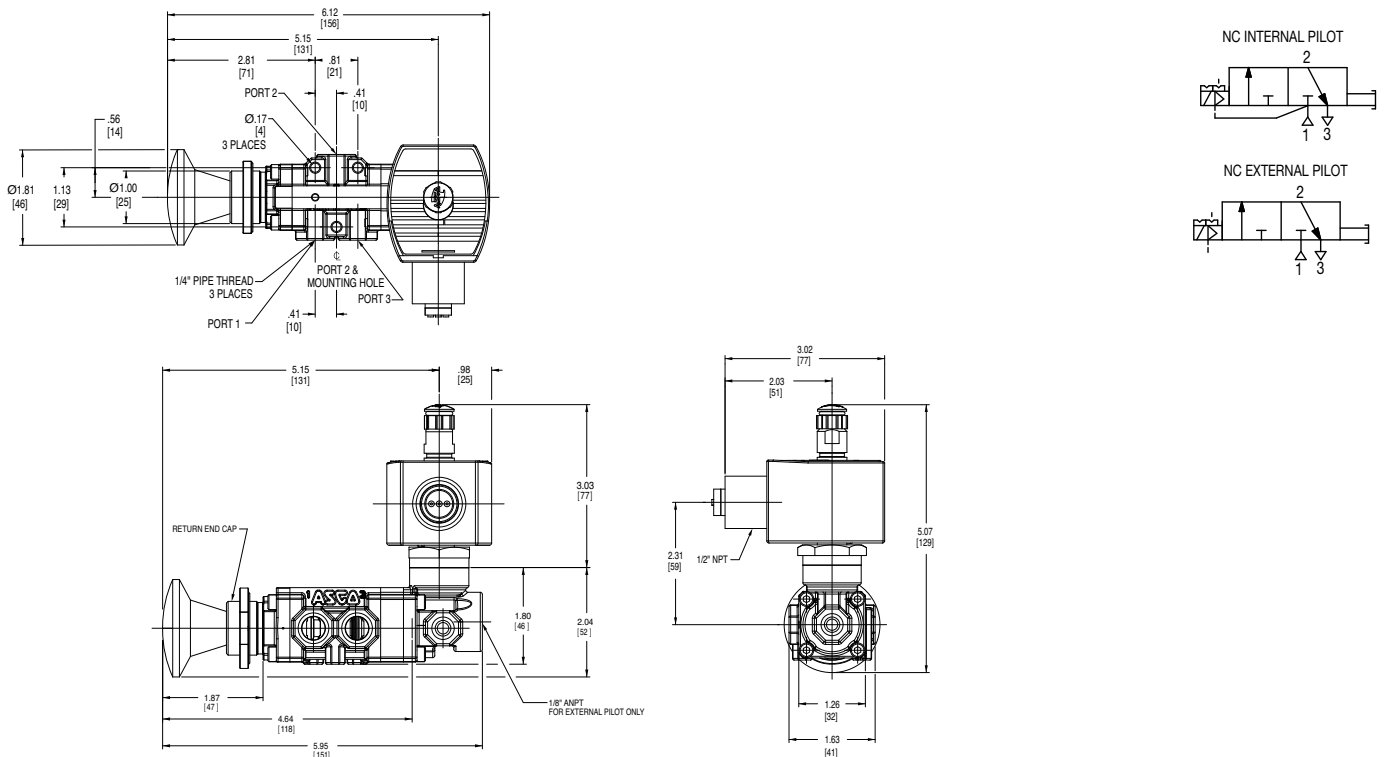
Dimensions: inches (mm)

Const. Ref. 9



Note: For Normally Open constructions the operator and return end cap are switched with respect to ports 1 & 3.

Const. Ref. 10

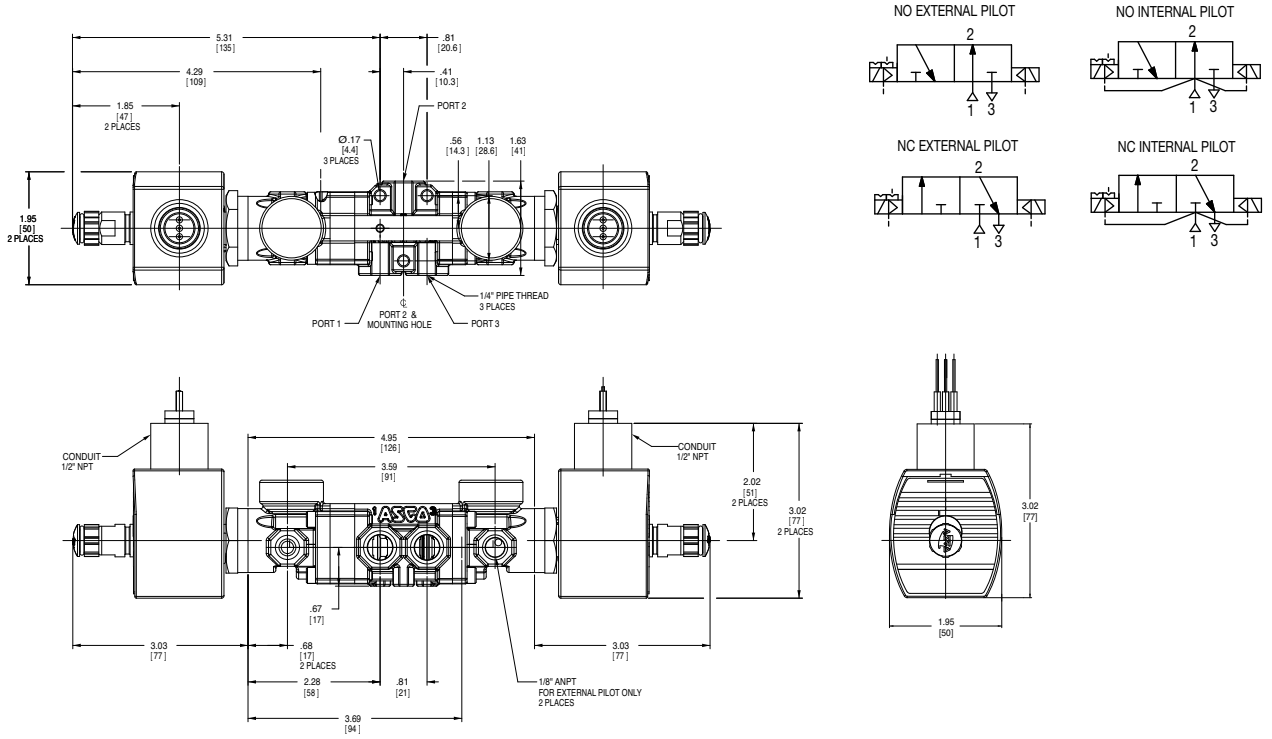


Note: For Normally Open constructions the operator and return end cap are switched with respect to ports 1 & 3.

SPECIAL SERVICE PILOT

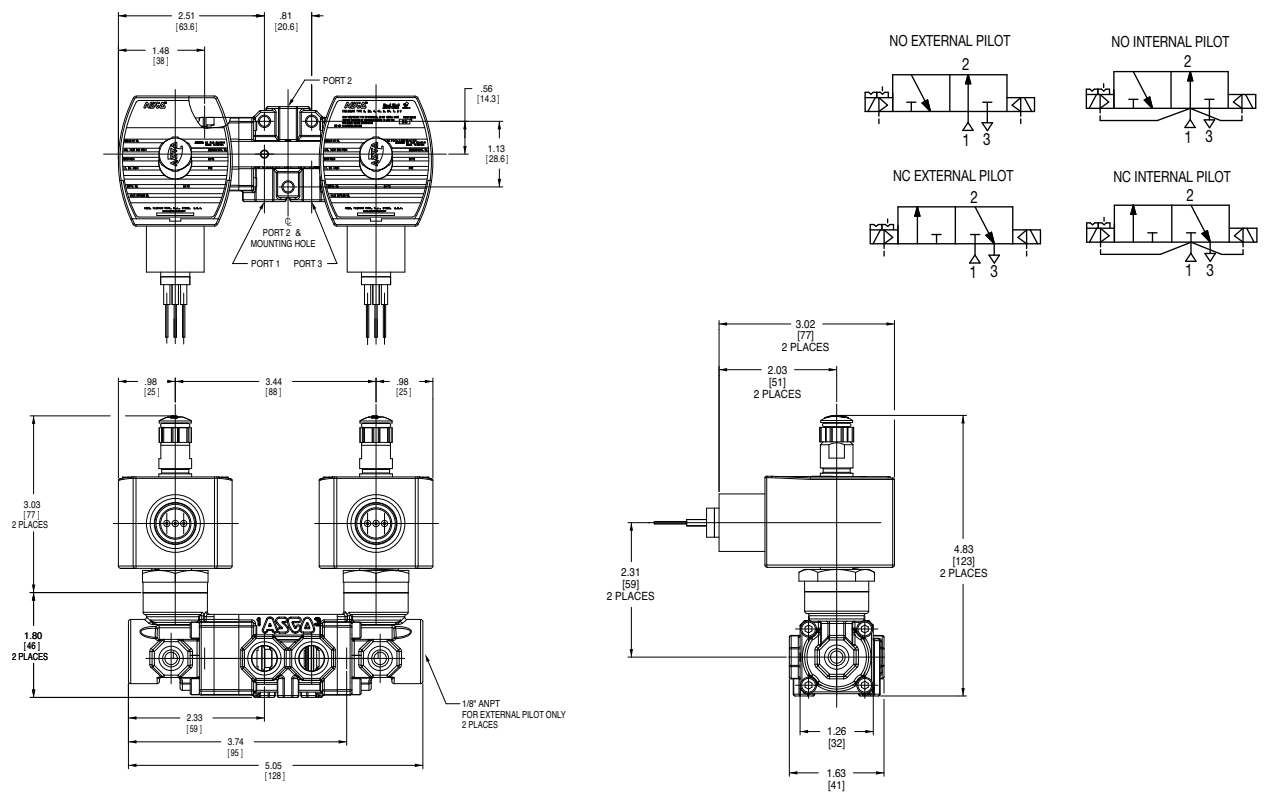
Dimensions: inches (mm)

Const. Ref. 11



SPECIAL SERVICE
PILOT

Const. Ref. 12



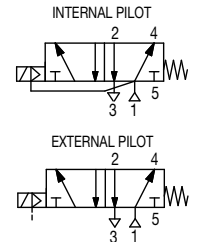
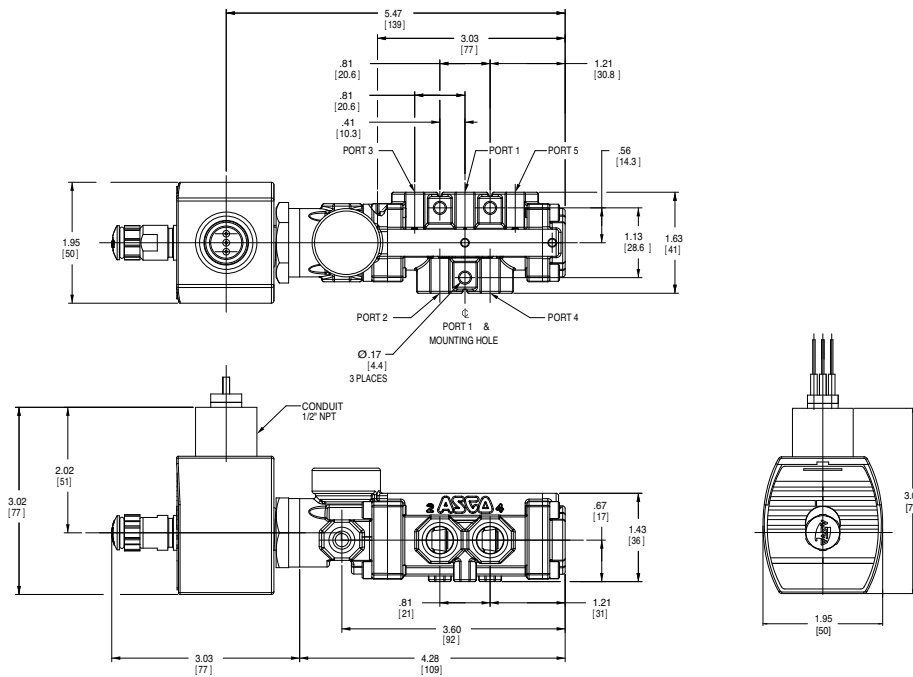
ASCO™ Spool Valves

Pilot Operated, Explosion-Proof, Low Power Solenoid Valves | 1/4" - 1" NPT

**3/2
SERIES
362/562**

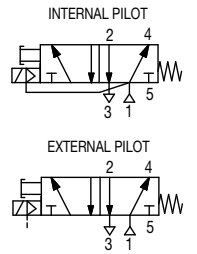
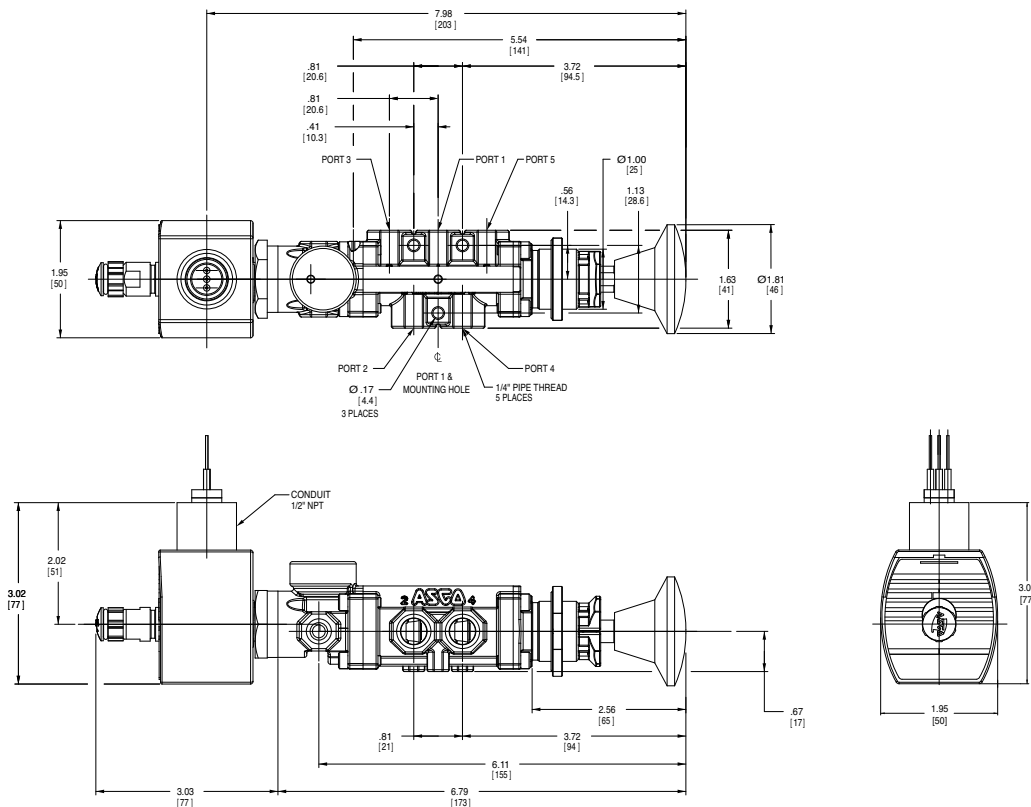
Dimensions: inches (mm)

Const. Ref. 13



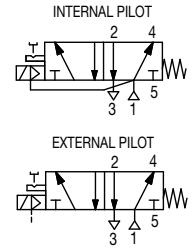
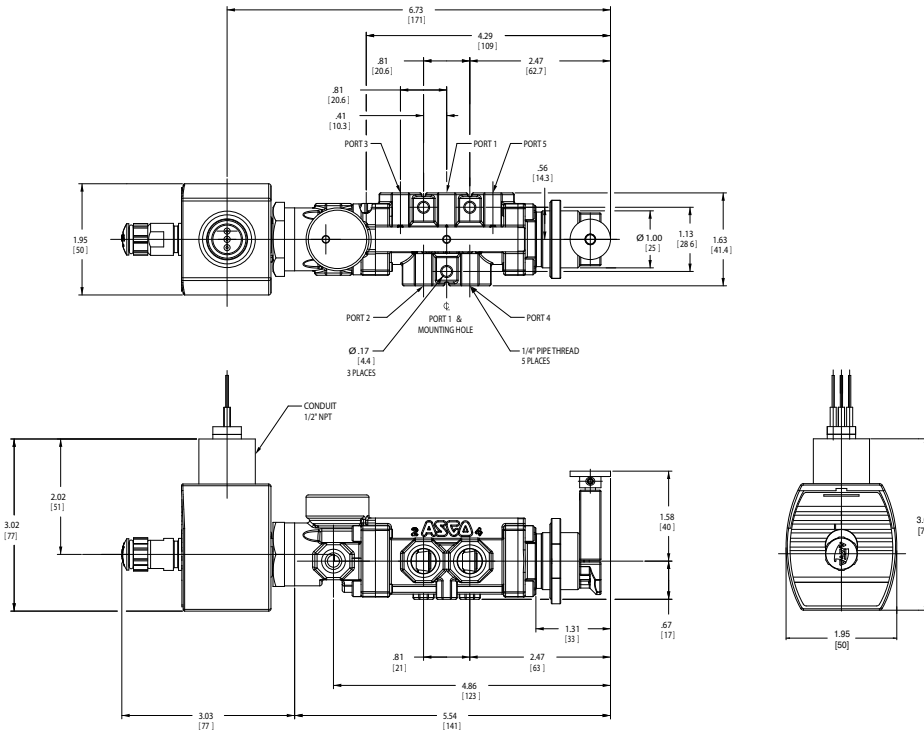
**SPECIAL SERVICE
PILOT**

Const. Ref. 14

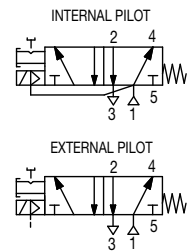
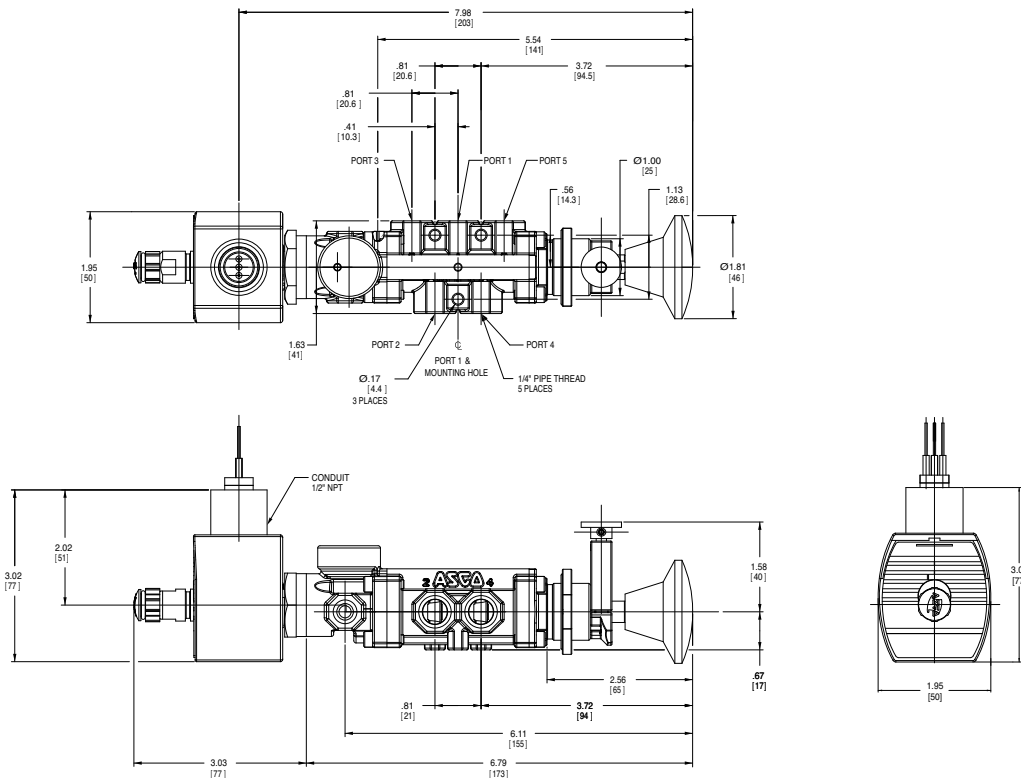


Dimensions: inches (mm)

Const. Ref. 15



Const. Ref. 16



SPECIAL SERVICE
PILOT

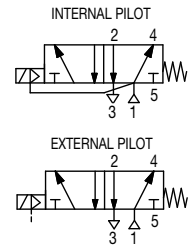
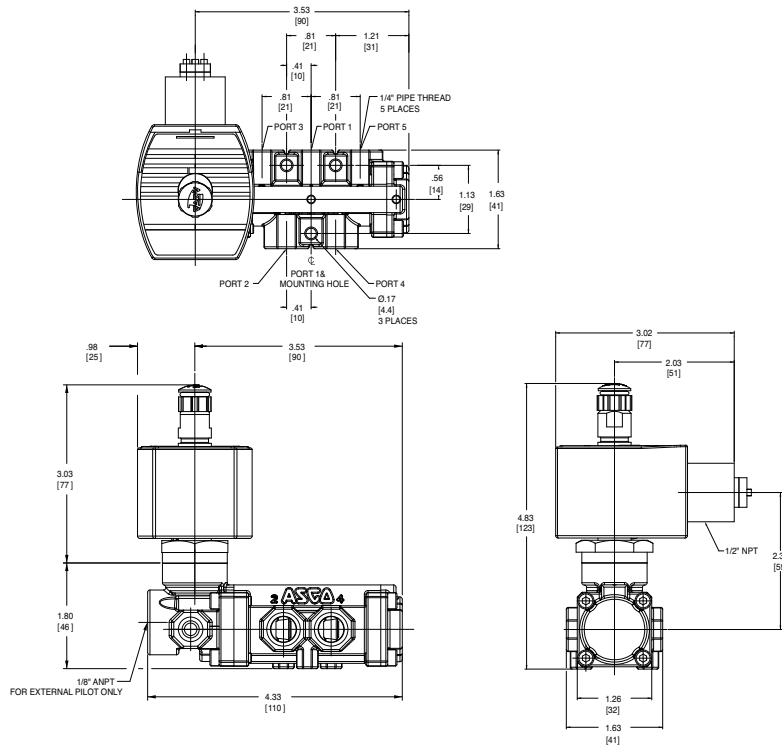
ASCO™ Spool Valves

Pilot Operated, Explosion-Proof, Low Power Solenoid Valves | 1/4" - 1" NPT

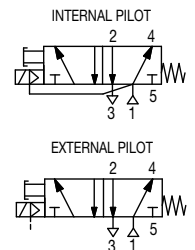
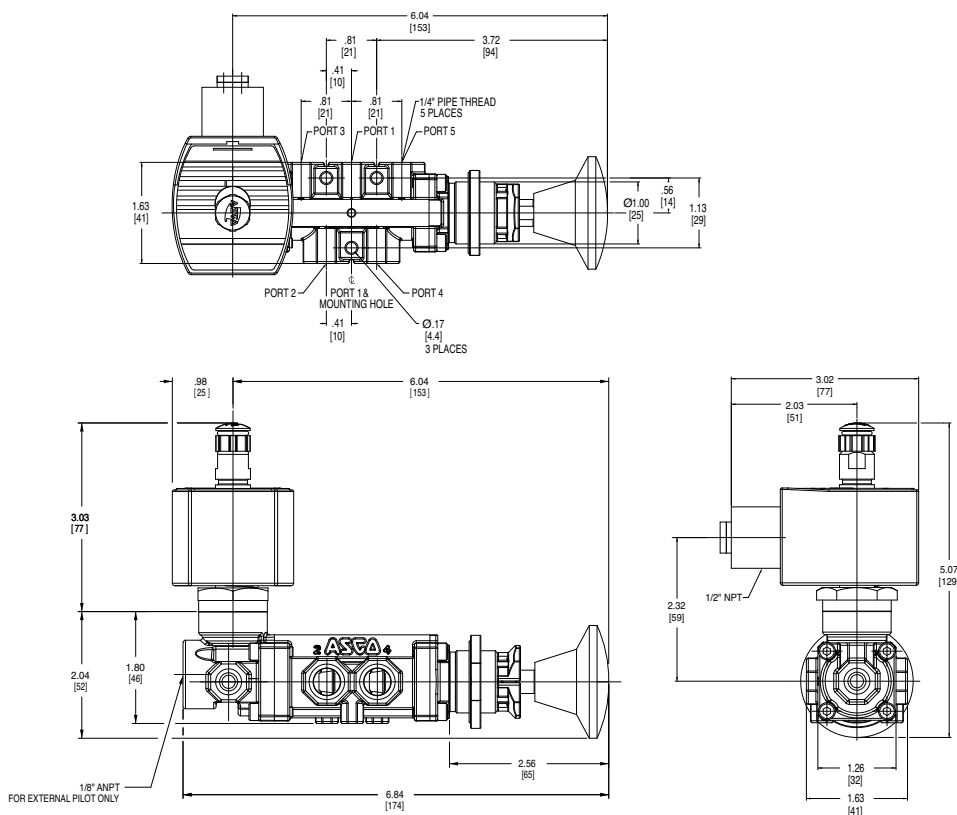
**3/2
SERIES
362/562**

Dimensions: inches (mm)

Const. Ref. 17



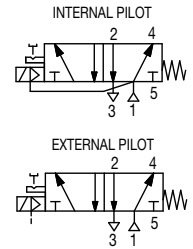
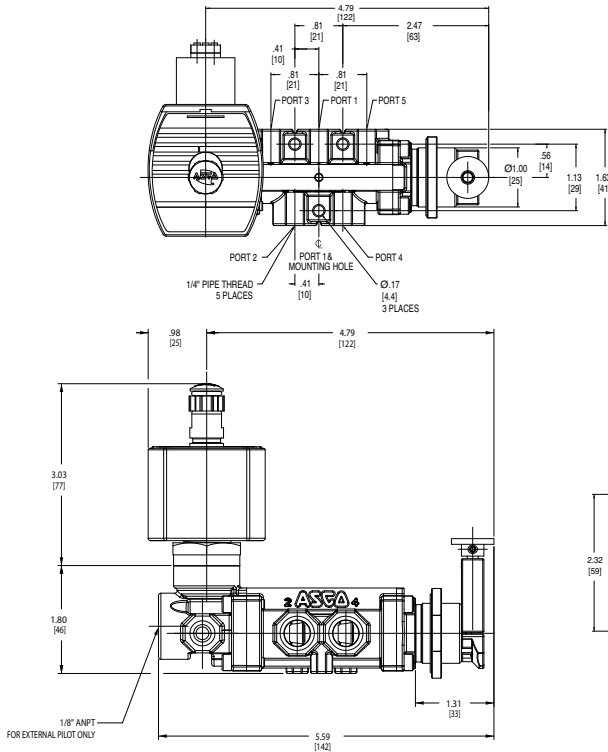
Const. Ref. 18



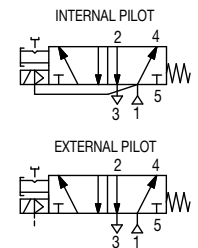
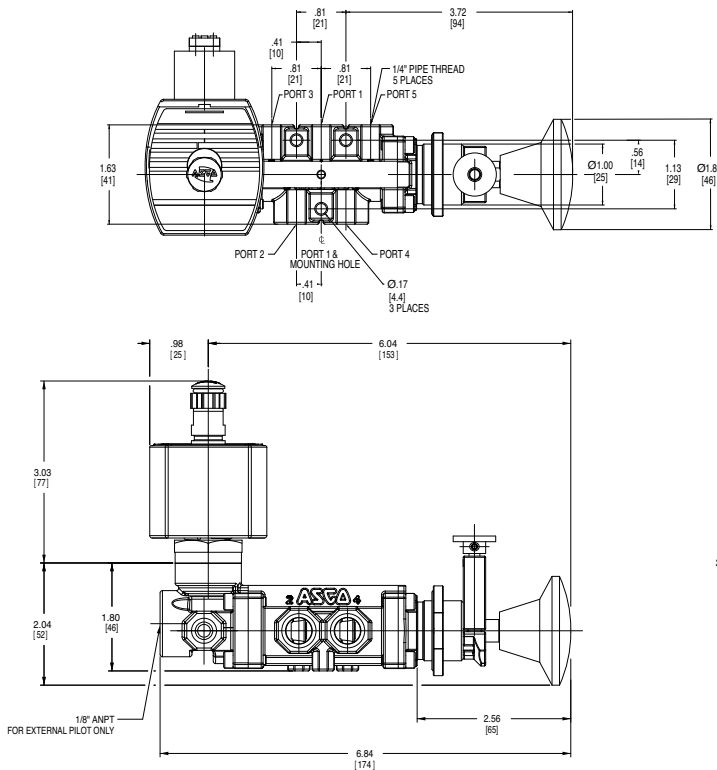
**SPECIAL SERVICE
PILOT**

Dimensions: inches (mm)

Const. Ref. 19



Const. Ref. 20



SPECIAL SERVICE
PILOT

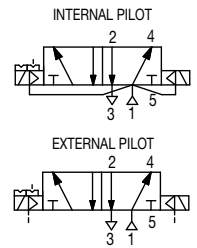
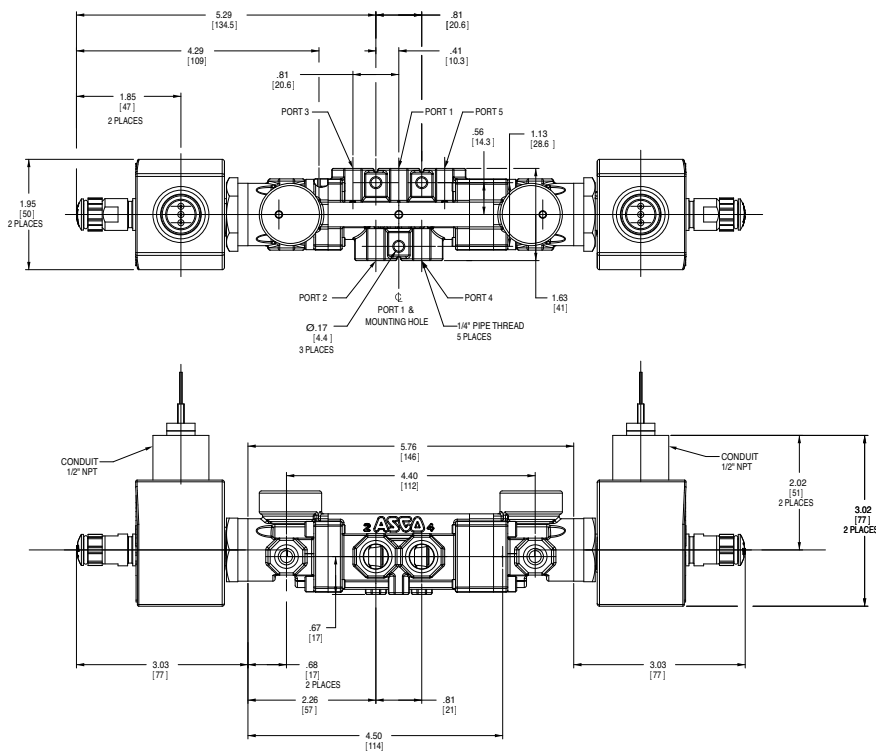
ASCO™ Spool Valves

Pilot Operated, Explosion-Proof, Low Power Solenoid Valves | 1/4" - 1" NPT

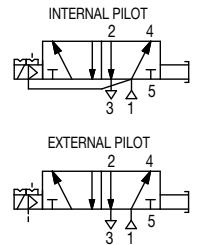
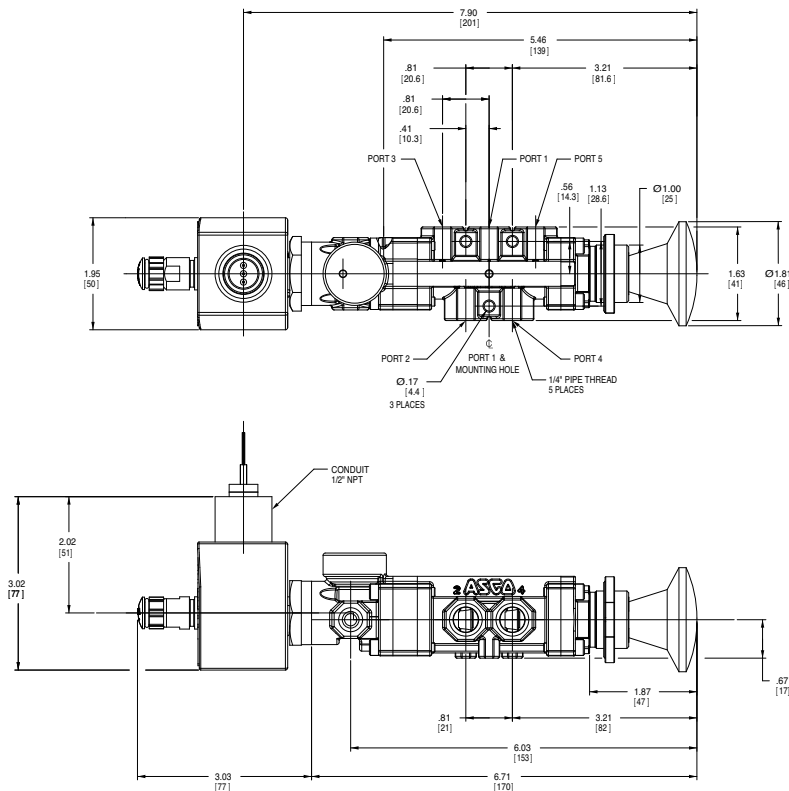
3/2
SERIES
362/562

Dimensions: inches (mm)

Const. Ref. 21



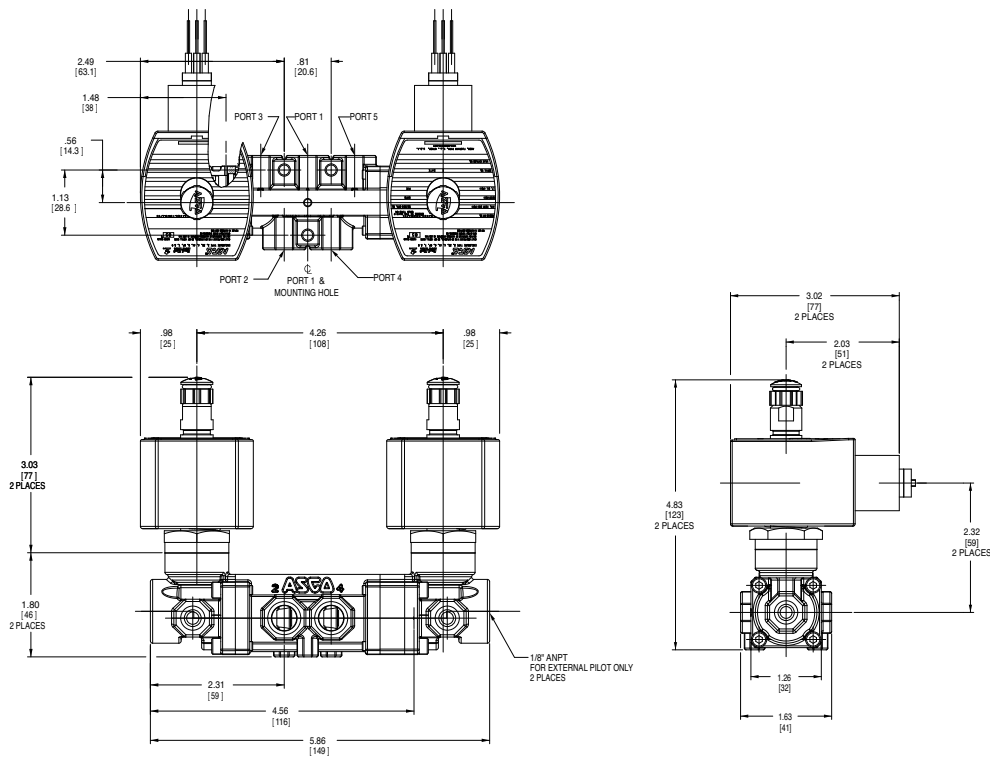
Const. Ref. 22



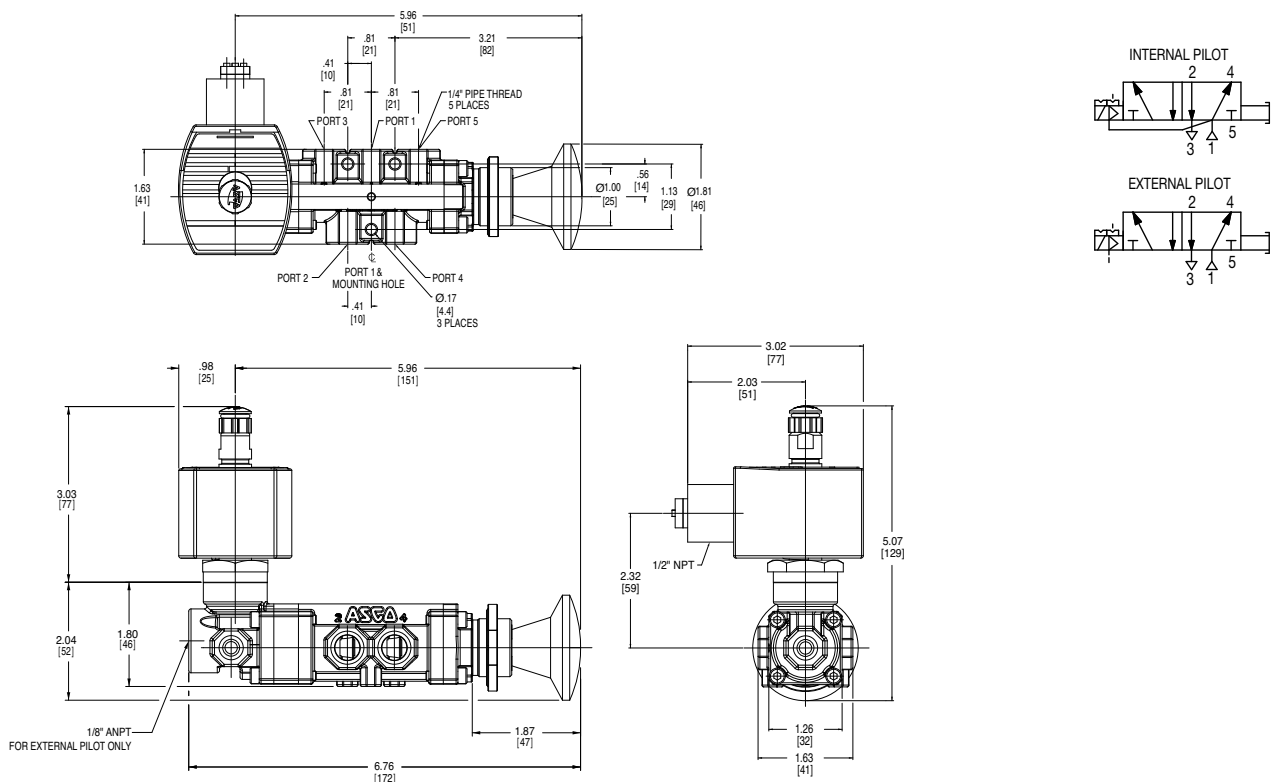
SPECIAL SERVICE
PILOT

Dimensions: inches (mm)

Const. Ref. 23



Const. Ref. 24



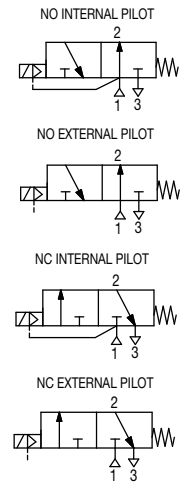
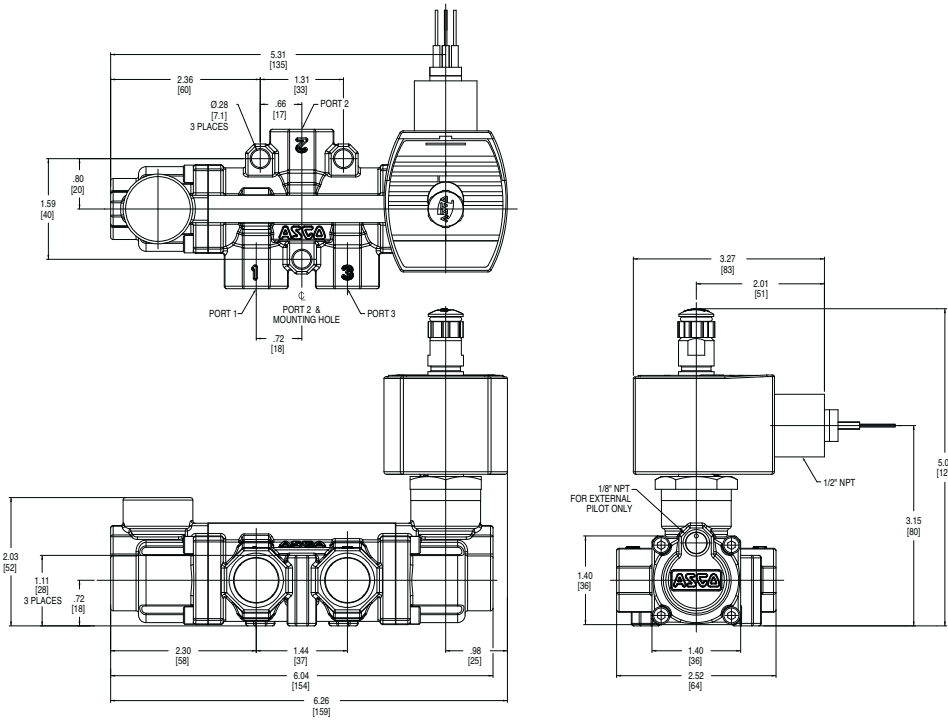
ASCO™ Spool Valves

Pilot Operated, Explosion-Proof, Low Power Solenoid Valves | 1/4" - 1" NPT

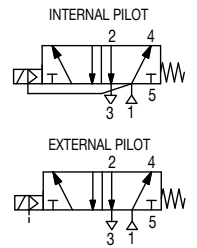
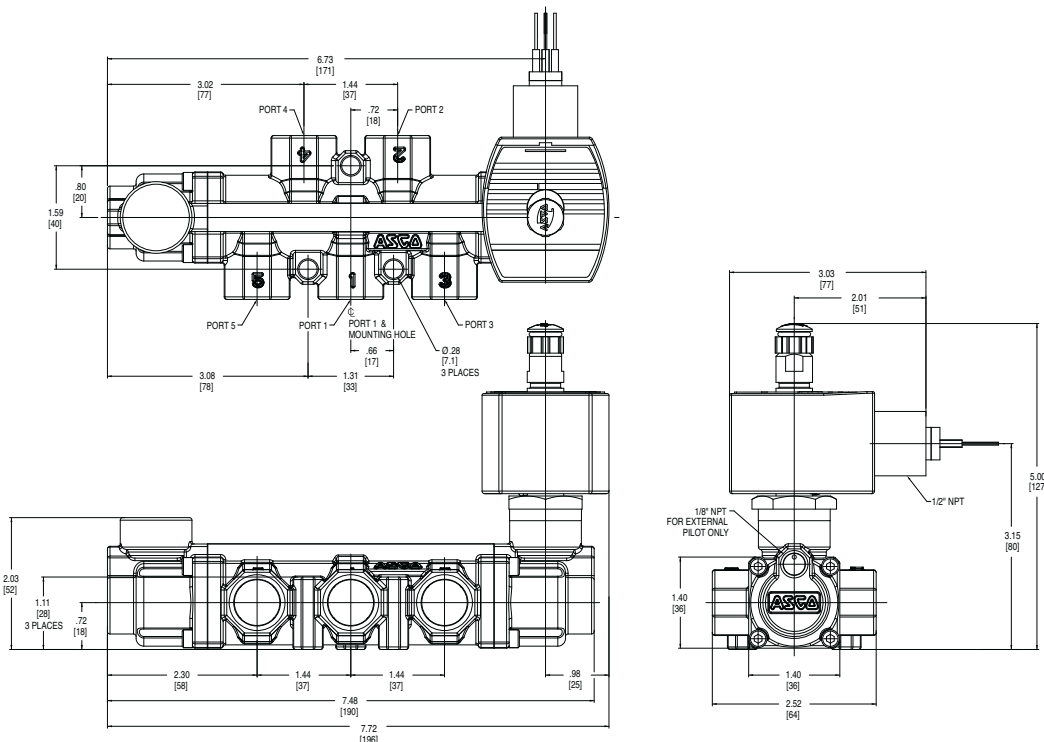
**3/2
SERIES
362/562**

Dimensions: inches (mm)

Const. Ref. 25



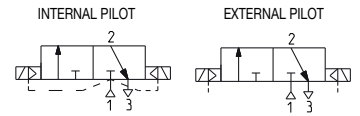
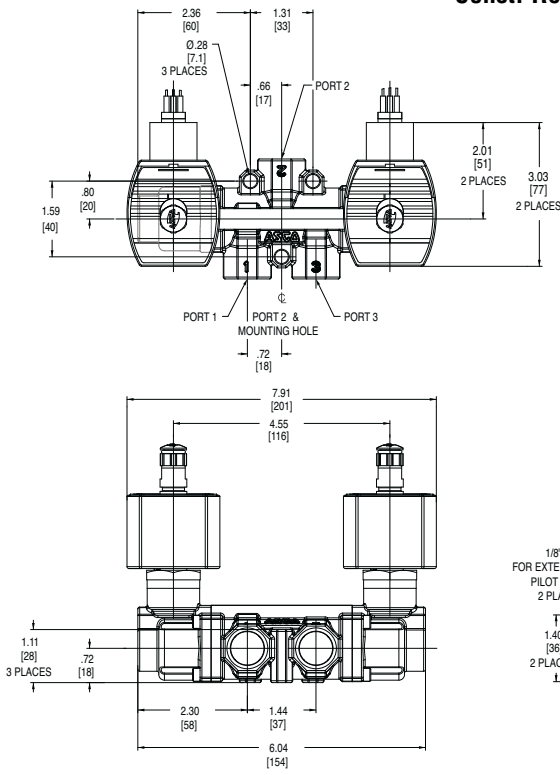
Const. Ref. 26



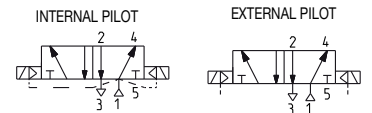
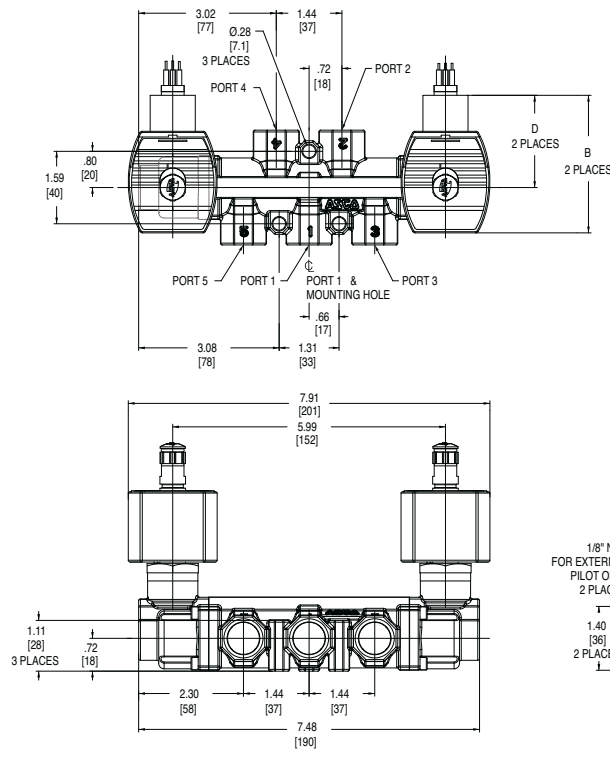
SPECIAL SERVICE PILOT

Dimensions: inches (mm)

Const. Ref. 27



Const. Ref. 28



SPECIAL SERVICE
PILOT

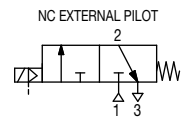
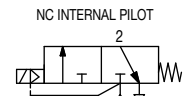
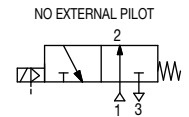
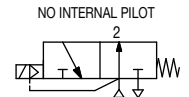
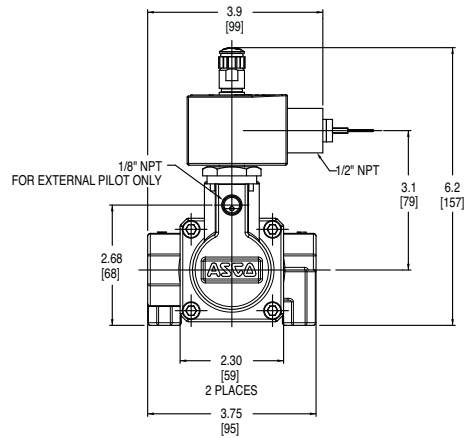
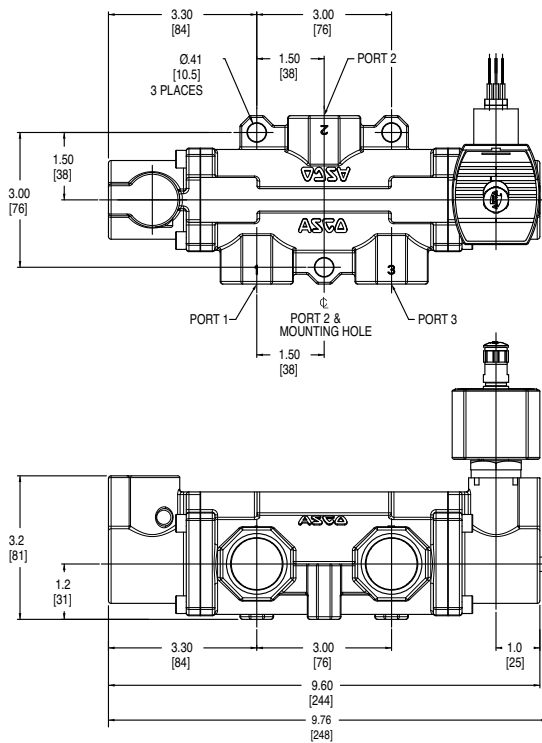
ASCO™ Spool Valves

Pilot Operated, Explosion-Proof, Low Power Solenoid Valves | 1/4" - 1" NPT

**3/2
SERIES
362/562**

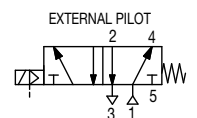
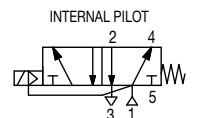
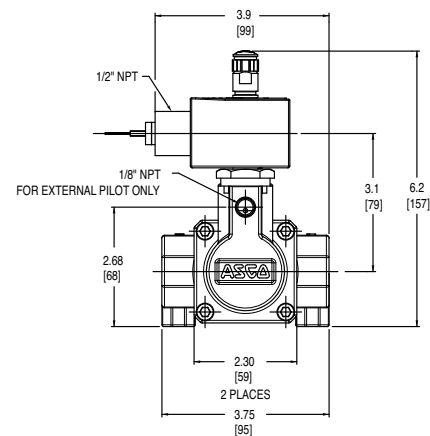
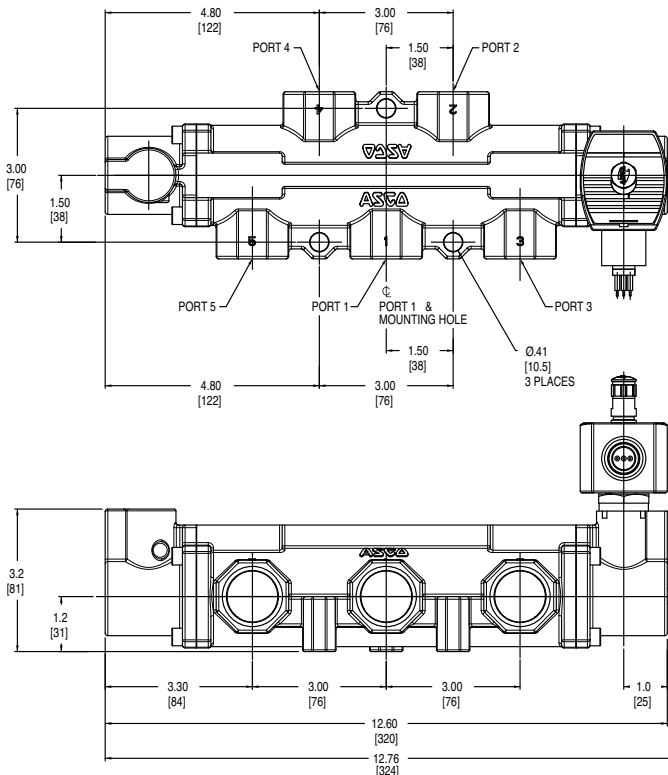
Dimensions: inches (mm)

Const. Ref. 29



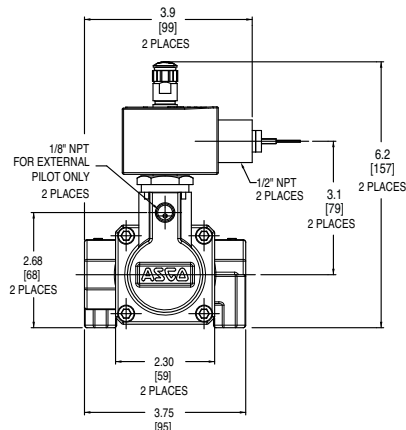
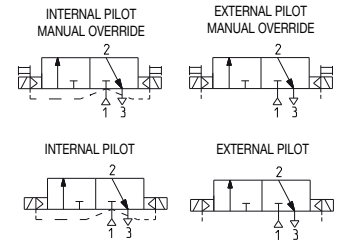
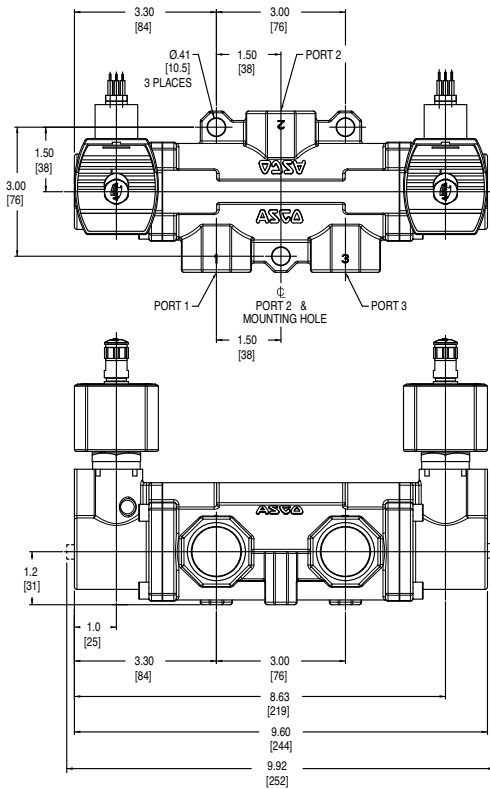
**SPECIAL SERVICE
PILOT**

Const. Ref. 30

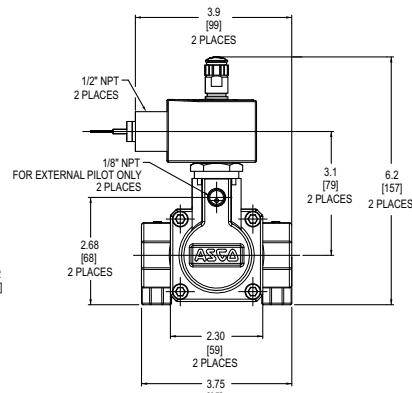
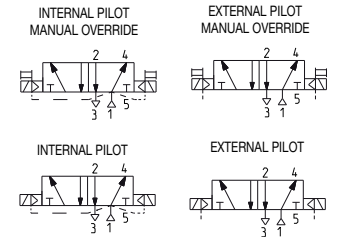
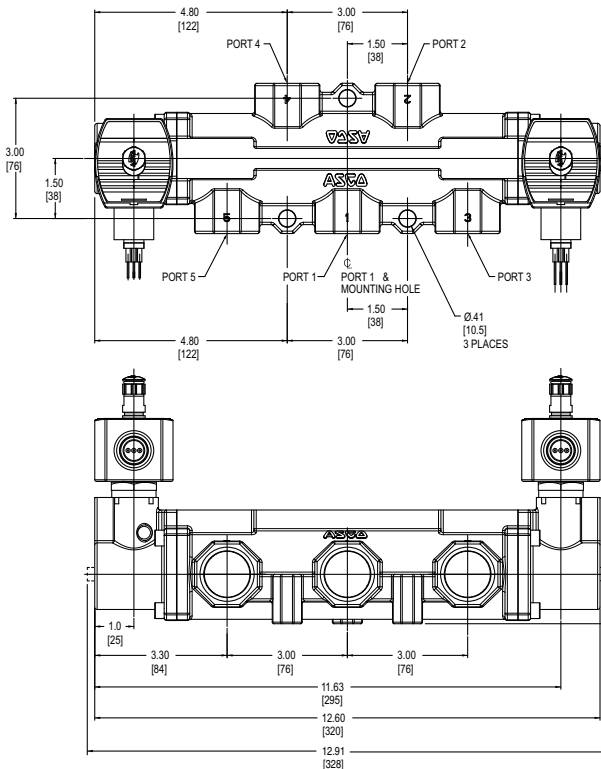


Dimensions: inches (mm)

Const. Ref. 31



Const. Ref. 32



SPECIAL SERVICE
PILOT

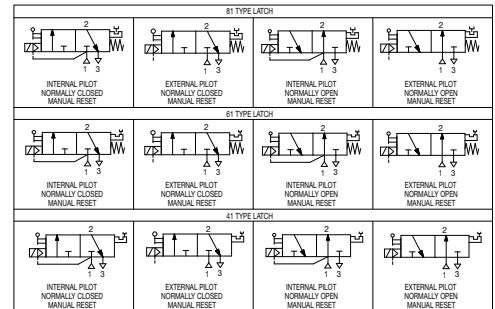
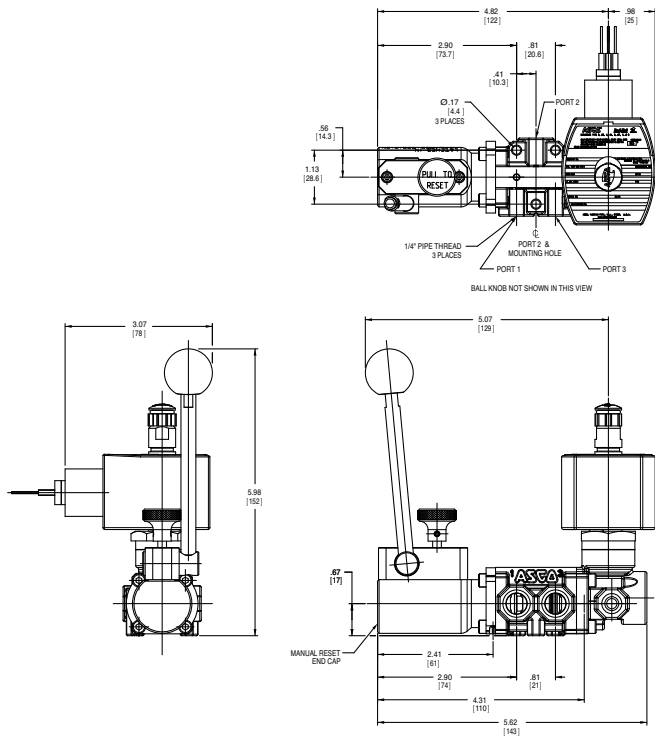
ASCO™ Spool Valves

Pilot Operated, Explosion-Proof, Low Power Solenoid Valves | 1/4" - 1" NPT

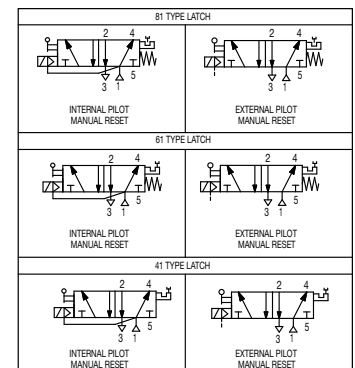
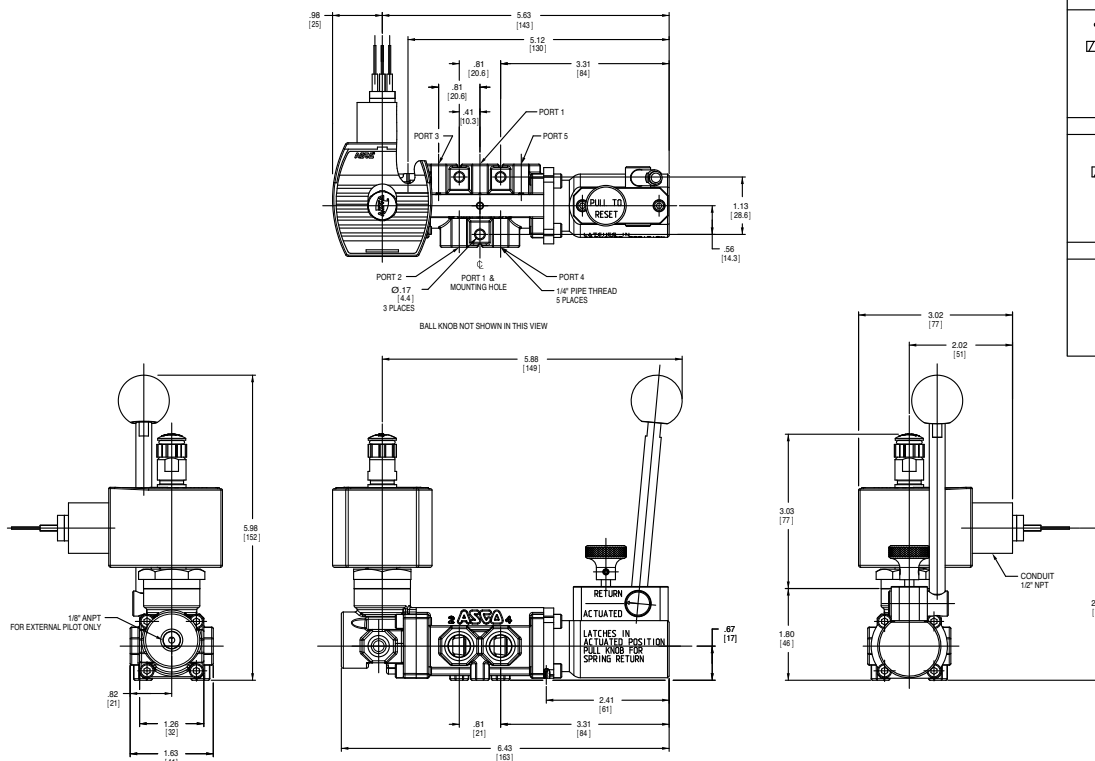
**3/2
SERIES
362/562**

Dimensions: inches (mm)

Const. Ref. 33



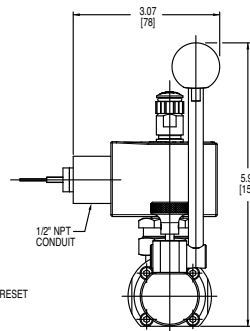
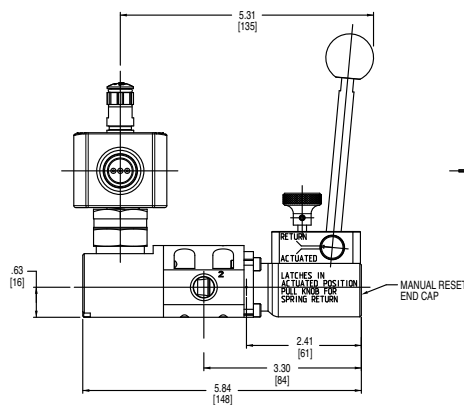
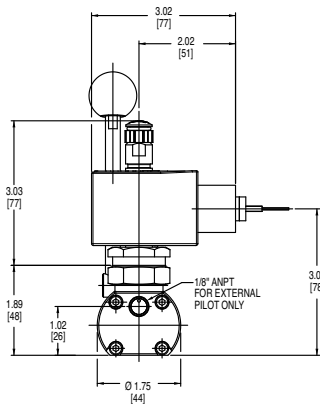
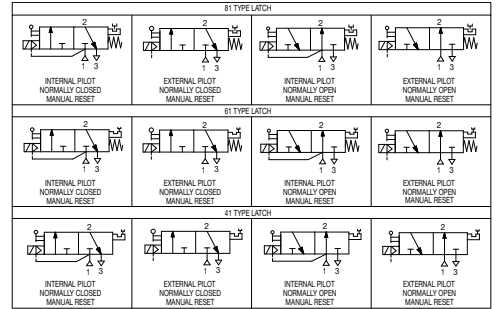
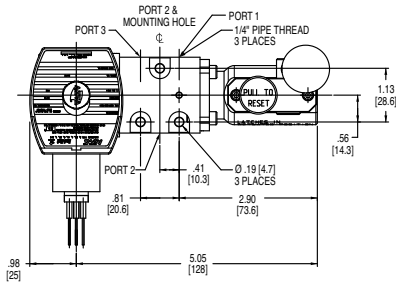
Const. Ref. 34



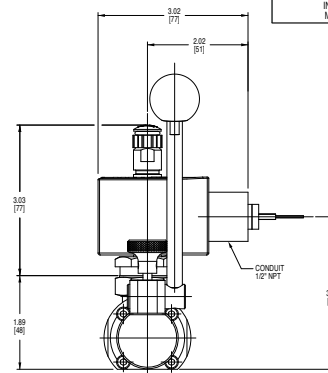
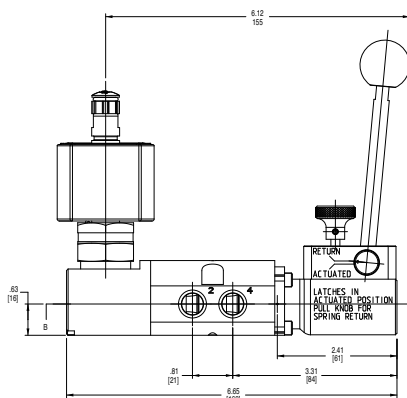
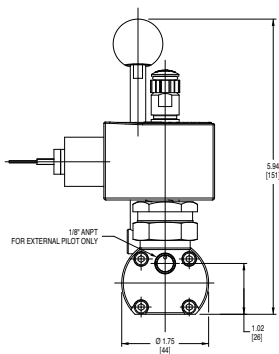
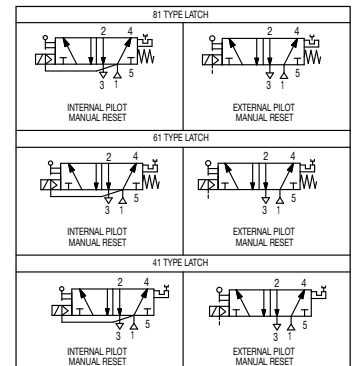
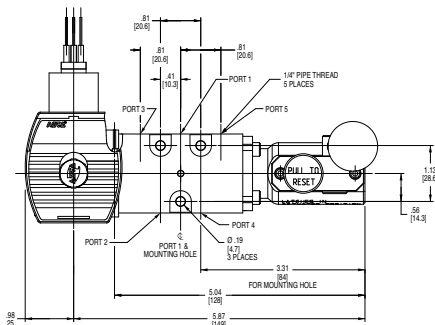
**SPECIAL SERVICE
PILOT**

Dimensions: inches (mm)

Const. Ref. 35



Const. Ref. 36



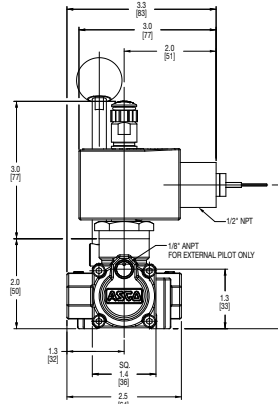
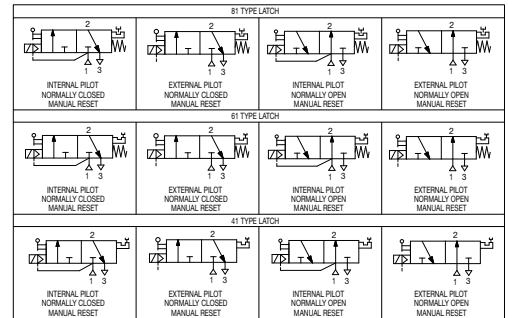
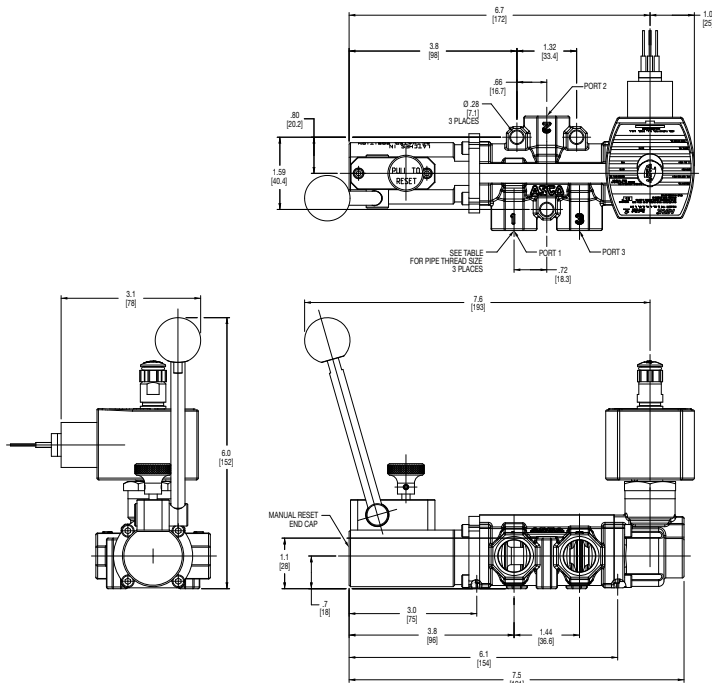
ASCO™ Spool Valves

Pilot Operated, Explosion-Proof, Low Power Solenoid Valves | 1/4" - 1" NPT

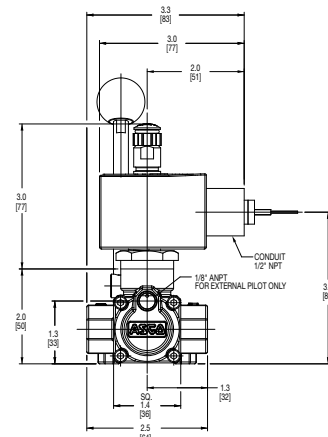
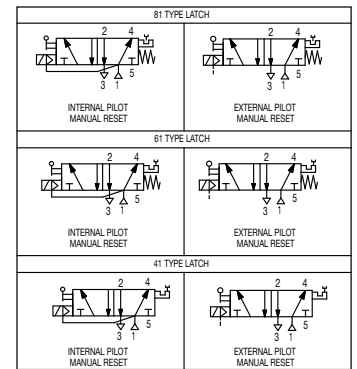
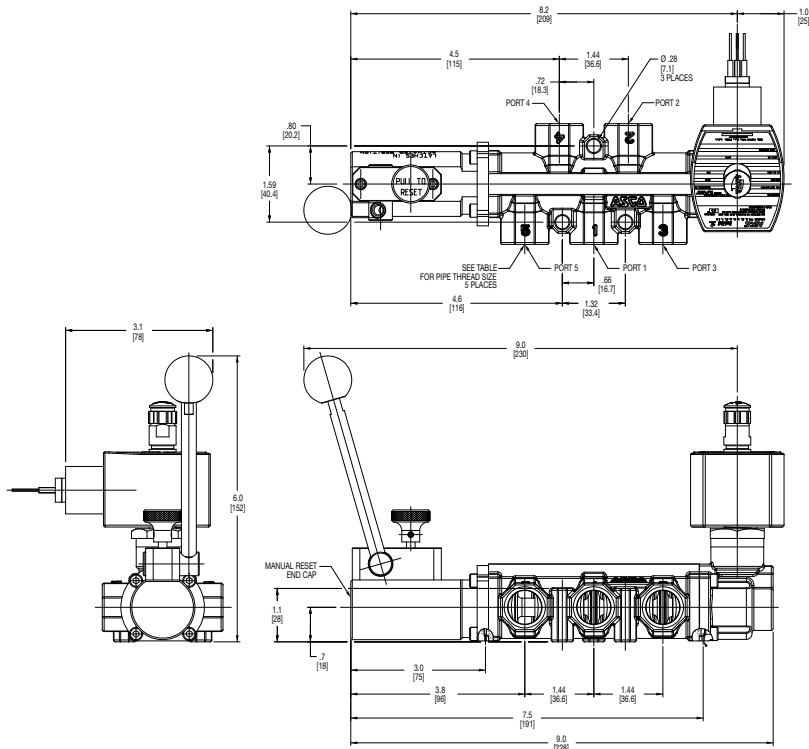
**3/2
SERIES
362/562**

Dimensions: inches (mm)

Const. Ref. 37



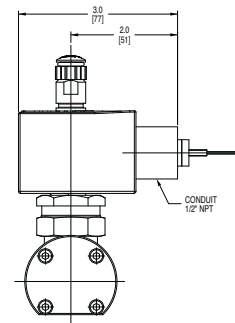
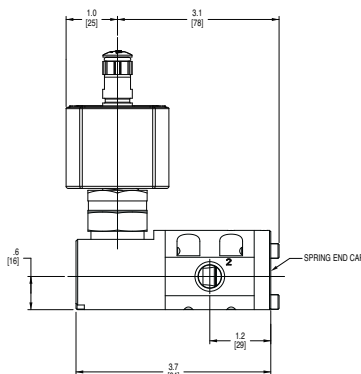
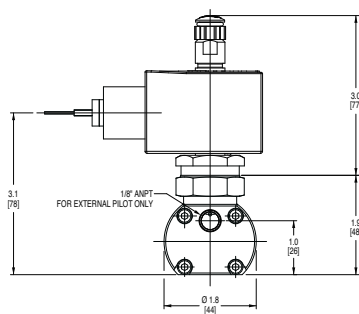
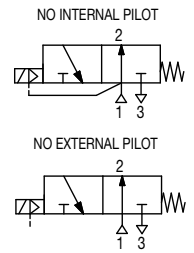
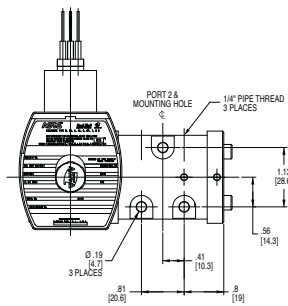
Const. Ref. 38



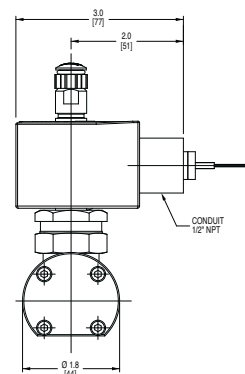
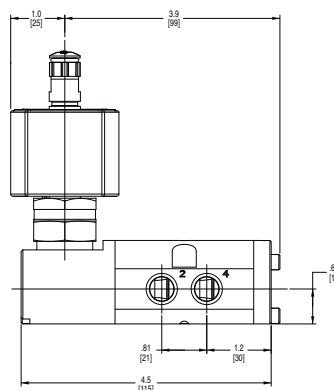
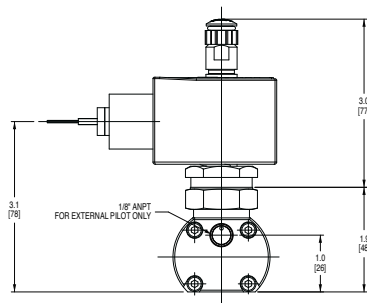
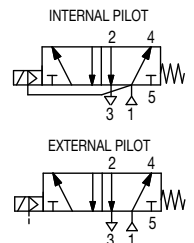
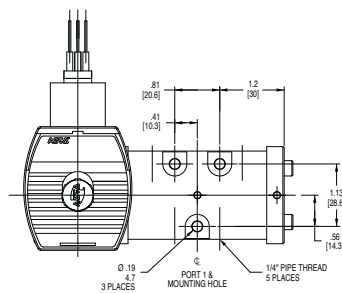
**SPECIAL SERVICE
PILOT**

Dimensions: inches (mm)

Const. Ref. 39



Const. Ref. 40



SPECIAL SERVICE
PILOT

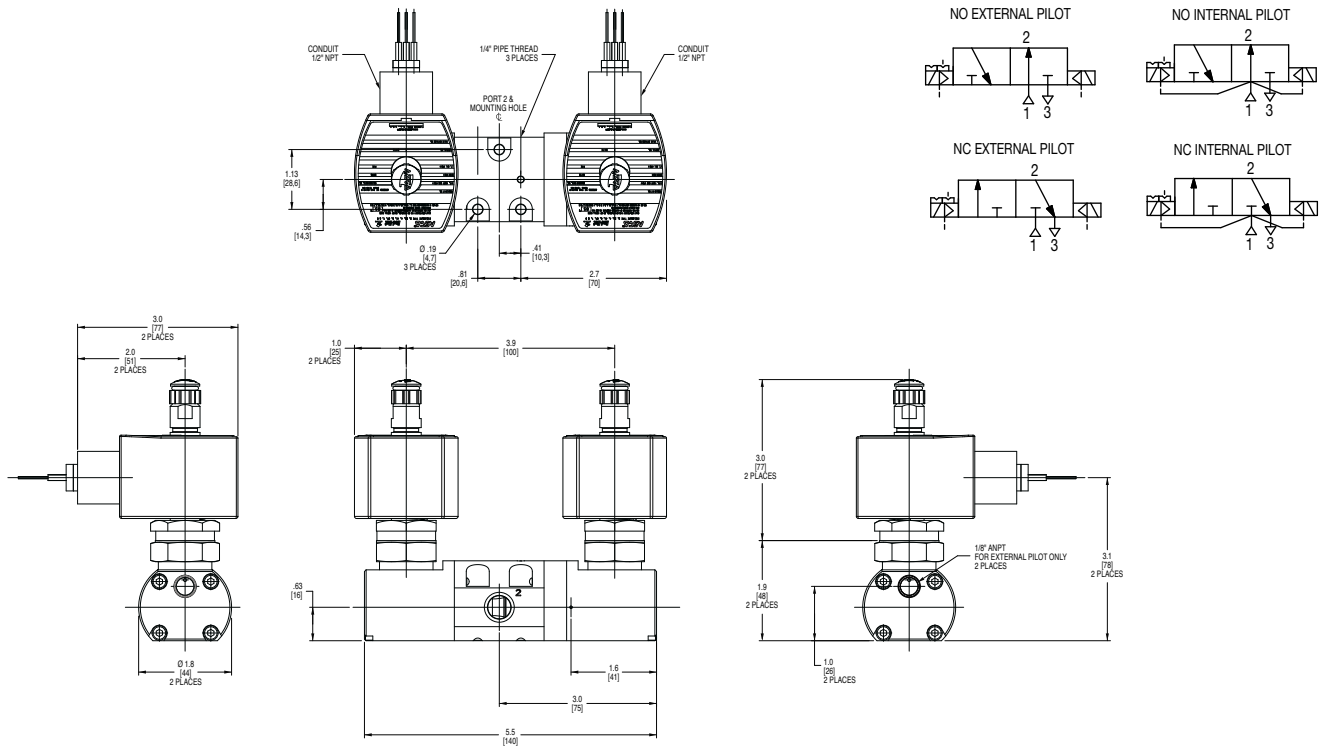
ASCO™ Spool Valves

Pilot Operated, Explosion-Proof, Low Power Solenoid Valves | 1/4" - 1" NPT

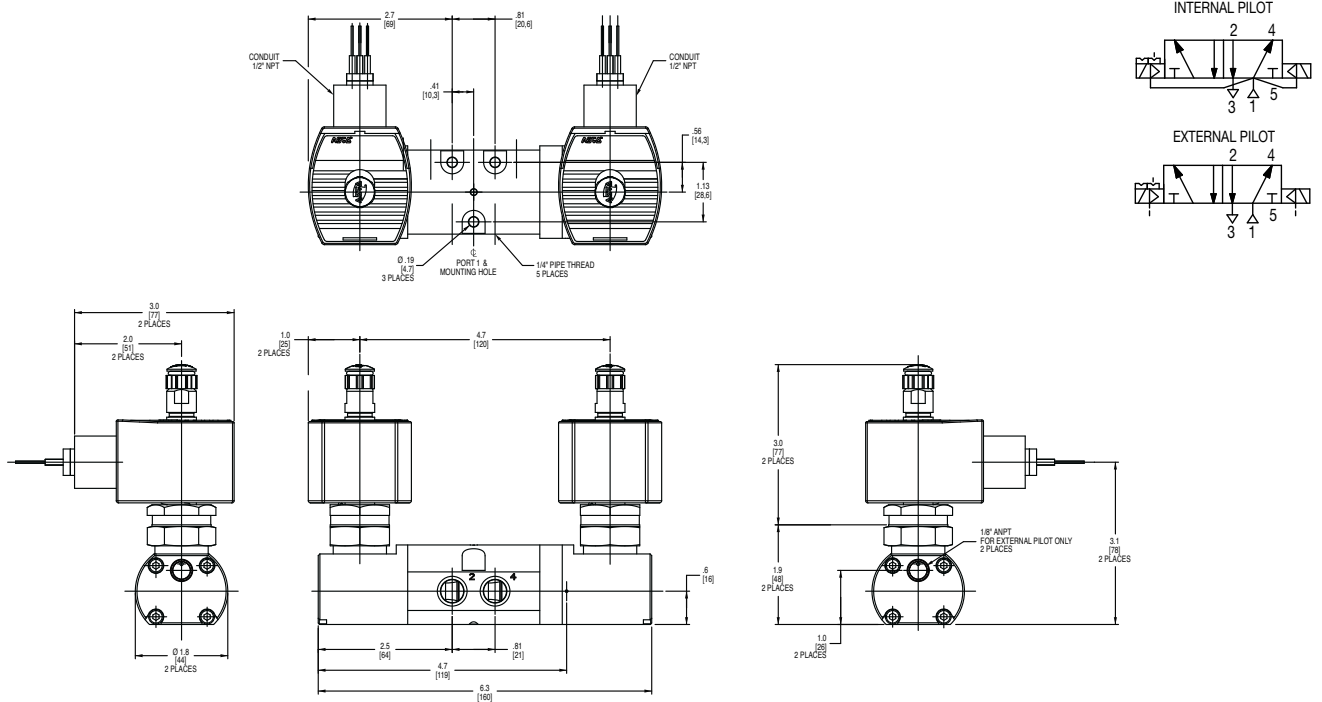
3/2
SERIES
362/562

Dimensions: inches (mm)

Const. Ref. 41



Const. Ref. 42



SPECIAL SERVICE
PILOT

3/2
SERIES
362/562

ASCO™ Spool Valves

Pilot Operated, Explosion-Proof, Low Power Solenoid Valves | 1/4" - 1" NPT

Dimensions: inches (mm)

SPECIAL SERVICE
PILOT