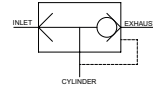




ACCESSORY VALVES

quick exhaust valve
1/4 - 1/2



Series

800

GENERAL

Operating pressure 0 to 16 bar [1 bar = 100 kPa]
Ambient temperature range -20°C to +105°C

fluids (*)	temperature range (TS)	seal materials (*)
clean dry air or dry inert gas	-20°C to +105°C	NBR (nitrile)

MATERIALS IN CONTACT WITH FLUID

(*) Ensure that the compatibility of the fluids in contact with the materials is verified

Body AISI 316L
Seals NBR

SPECIFICATIONS

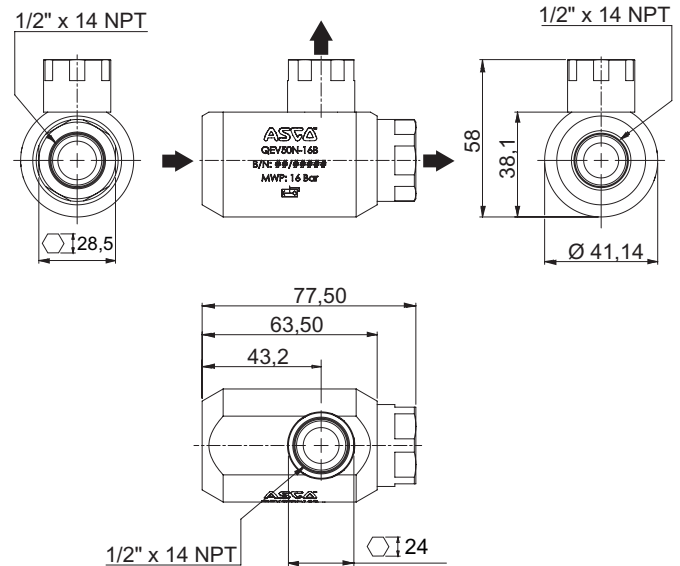
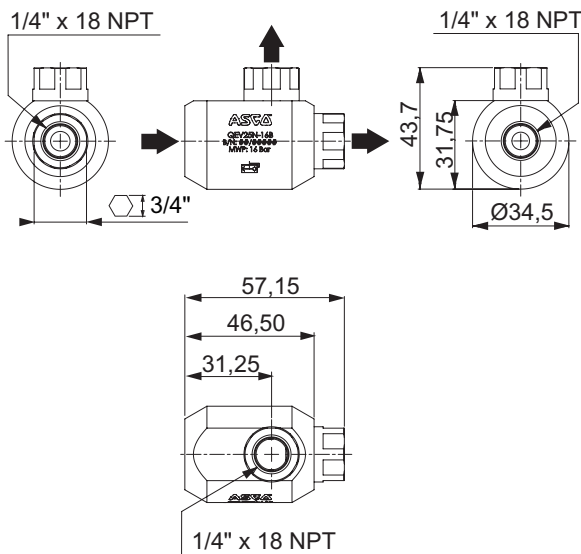
pipe size	flow coefficient Kv				catalogue number
	to actuator		actuator to exhaust		
	(m³/h)	(l/min)	(m³/h)	(l/min)	
1/4	1,09	18,18	3,43	57,2	8800A10000N0000
1/2	3,03	50,51	3,52	58,6	8800A10200N0000



DIMENSIONS (mm), WEIGHT

8800A10000N0000

8800A10200N0000



catalogue number	Ø A	weight
8800A10000N0000	1/4 NPT	0,32
8800A10200N0000	1/2 NPT	0,55

All leaflets are available on: www.asco.com



青岛秉诚自动化设备有限公司
 地址：中国·青岛市重庆南路99号海尔云街甲3号楼7F

服务热线：4006-918-365
 网址：<http://www.asco.store>

传真：(86-532)585-10-365
 Email：sales@bechinas.com

80484GB-2017/R02

