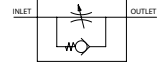




ACCESSORY VALVES

flow control valve with check valve
1/4 - 1/2



Series
800

GENERAL

Operating pressure 0 to 16 bar [1 bar =100 kPa]
Ambient temperature range -20°C to +105°C
Min. working pressure 0,07 bar

fluids (*)	temperature range (TS)	seal materials (*)
clean dry air or dry inert gas	-20°C to +105°C	NBR (nitrile)

MATERIALS IN CONTACT WITH FLUID

(*) Ensure that the compatibility of the fluids in contact with the materials is verified

Body AISI 316L
Seals NBR

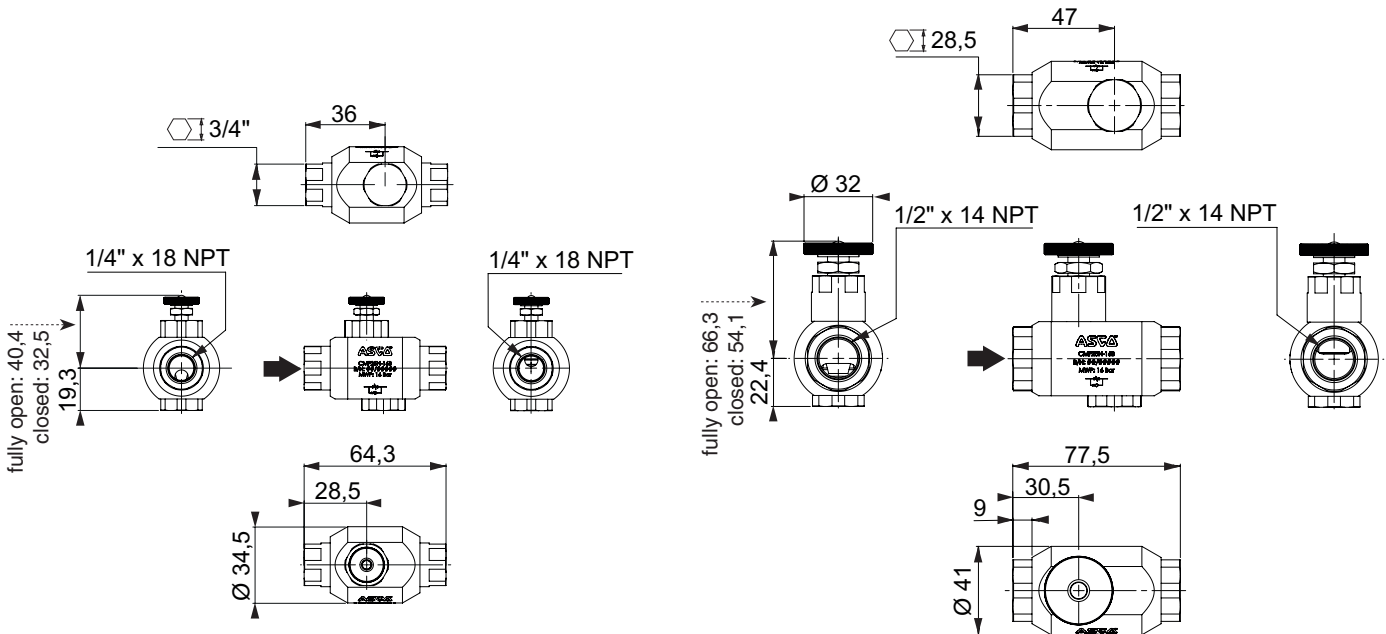
SPECIFICATIONS

pipe size	flow coefficient Kv		catalogue number
	(m³/h)	(l/min)	
NPT			
1/4	0,65	10,82	8800A30000N0000
1/2	3,09	51,52	8800A30200N0000



DIMENSIONS (mm), WEIGHT (kg)

8800A30200N0000



catalogue number	Ø A	weight
8800A30000N0000	1/4 NPT	0,33
8800A30200N0000	1/2 NPT	0,63

All leaflets are available on: www.asco.com



青岛秉诚自动化设备有限公司
 地址：中国·青岛市重庆南路99号海尔云街甲3号楼7F

服务热线：4006-918-365
 网址：<http://www.asco.store>

传真：(86-532)585-10-365
 Email：sales@bechinas.com

