

# ASCO™ MINIATURE PRESSURE REGULATOR

## NON-RELIEVING MANIFOLD MOUNT

The Series 624 non-relieving regulator is designed to control system pressure to a constant maximum set point.

- Lightweight, compact manifold mount interface for easy installation and maintenance
- Output pressure ranges 0-0.7 bar (0-10 psi), 0-1.4 bar (0-20 psi), 0.4 - 2.1 bar (5 - 30 psi)
- Suitable for use in a wide variety of gas applications, and is an excellent choice for use with 95% concentrated oxygen
- Excellent for oxygen therapy and ventilation applications
- Typical applications include:
  - Oxygen Concentrators
  - Respiratory Therapy
  - Ventilators



Fluids	Temperature Range	Seal Materials*
Air, Inert & Neutral gases, or Oxygen	0C° to 60C° (32F° to 140F°)	CR, NBR

\* Ensure that the compatibility of the materials in contact with the fluids is verified

Manifold Construction	
Body	POM
Internal Components	POM
Function	Non-Relieving Regulator
Inlet Fitting	1/8" NPT
Outlet Fitting	Barb for 1/4" I.D. Tubing

### Alternate Construction Options

Additional options are available including alternative inlet and regulated pressure ranges. Minimum quantities apply.

Specifications					
Port Type	Inlet Pressure	Regulated Pressure		Flow (slpm) <sup>(1)</sup>	Catalog Number
	Max bar (psi)	Min bar (psi)	Max bar (psi)		
Manifold	6.9 (100)	0.0 (0)	0.7 (10)	74	8624A501
	6.9 (100)	0.0 (0)	1.4 (20)	109	8624A502
	6.9 (100)	0.4 (5)	2.1 (30)	112	8624A503

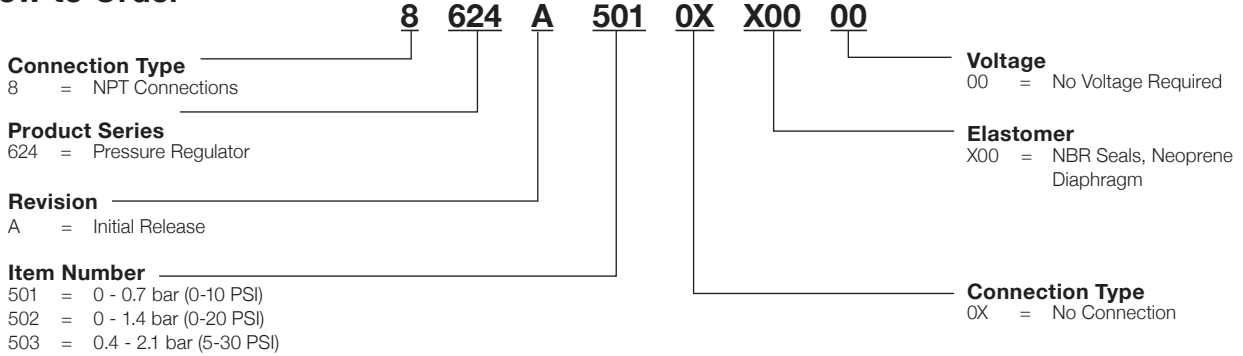
(1) Inlet pressure set at 100psig, outlet set at maximum regulated pressure, flow rate at 15% pressure drop from maximum regulated pressure

### To Order

- Select catalog number from specification table above
- Additional seal materials available on request

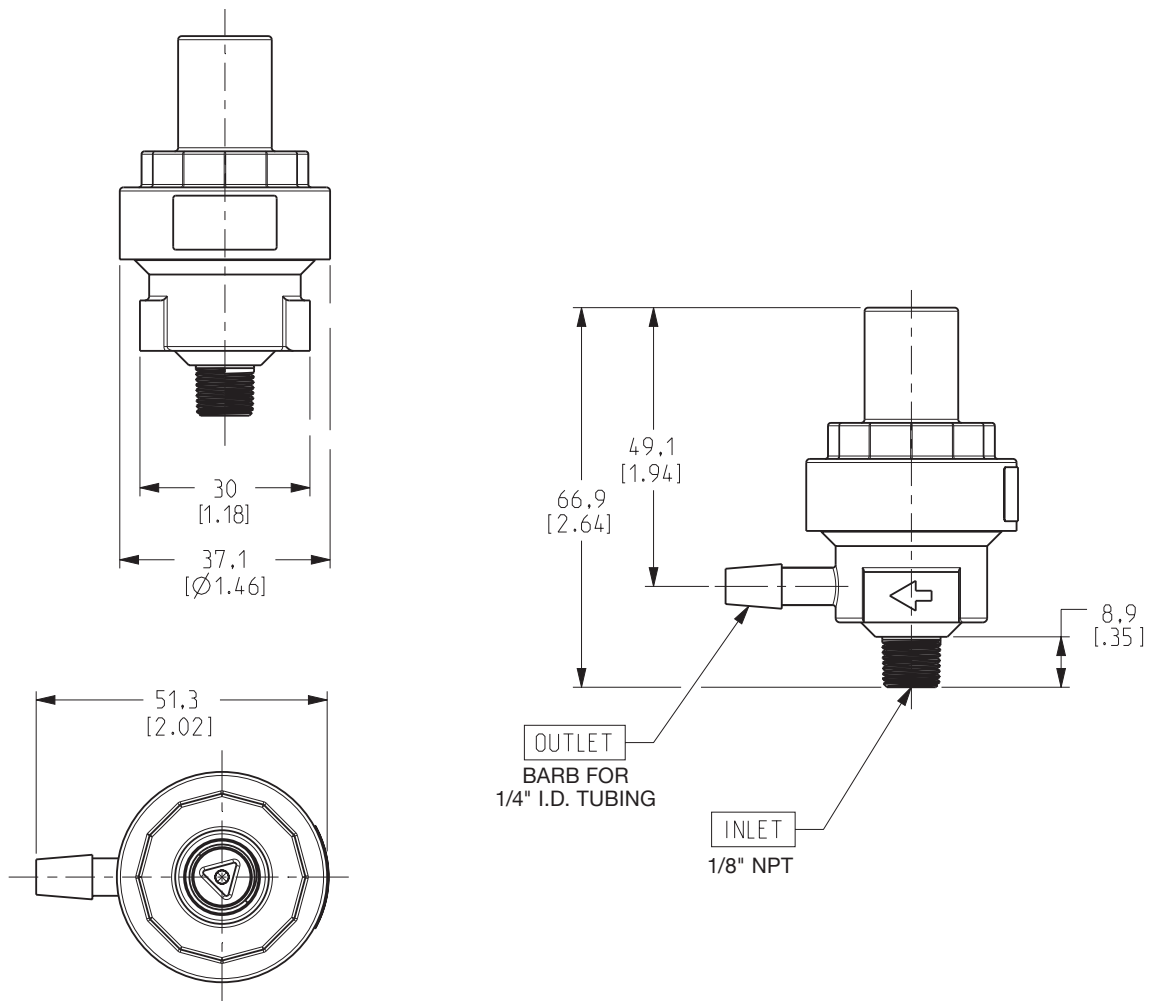
01073GB-2019-R01

**How to Order**



**Dimensions: mm (inches)**

**Port Type: Manifold**  
**Weight: 35.4g (1.25oz)**



01073GB-2019-R01