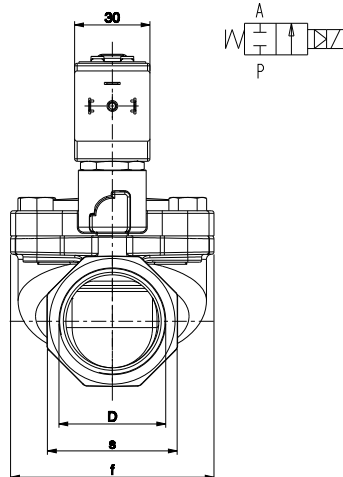
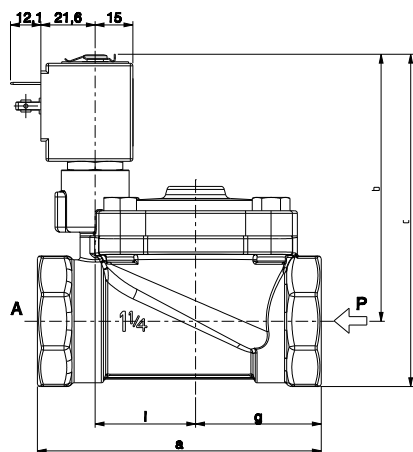


# ASCO™ SOLENOID VALVE

## 2/2 NORMALLY CLOSED – PILOT OPERATED - 1 ¼ ÷ 2 NPT

SERIES  
**L182D-BIG-NPT**



D	a	b	c	f	g	l	s
1 ¼	113	106	132	81	50	40	52
1 ½	140	110	140	110	64	53	60
2	157	114	150	110	72	53	72

### General Features

Diaphragm valve, pilot operated, having full orifice.

Suitable to shut off liquid and gaseous fluids (verify the compatibility of fluid with materials in contact).

Not suitable for use with dangerous fluids listed in Group 1, therefore they are free from CE marking in conformity with article 3 § 3 of the European Directive 97/23/EC (Pressure Equipment Directive).

WRAS certified solenoid valves (certificate n. 1411048).

Technical Features			
Maximum allowable pressure (PS)	10 bar		
<b>Response times</b>	<b>1 1/4</b>	<b>1 1/2</b>	<b>2</b>
Opening time (ms)	100	360	360
Closing time (ms)	650	650	650
Fluid temperature	-10°C +140°C*  WRAS		
Max viscosity	5°E (~37 cStokes or mm²/s)		

\* Maximum operating temperature 85°C in compliance with WRAS approval

Materials in Contact with Fluid	
Body	Brass
Sealing	EPDM
Internal components	Brass and stainless steel
Seat	Brass
Guide assembly	Stainless steel
Shading ring	Copper

Coil		
Continuous duty	ED 100%	
Encapsulation material	PPS (Polyphenylsulfure) fiberglass reinforced	
Insulation class	F (155°C) on request class H (180°C) – UL (vd. ZA34)	
Ambient temperature	-10°C +50°C	
Electric connections	DIN 46340 - 3 poles connectors (EN175301-803)	
Protection degree	IP 67 (EN 60529) with plug connector	
Voltages	DC	12-24V (+10% -5%)
	AC	24V/50Hz - 110V/50Hz (120V/60Hz) - 230V/50Hz (+10% -15%) (Other voltages and frequencies on request)

Port size	Orifice size (mm)	Differential pressure (bar)				Kv (m³/h)	Series and type			Power absorption			Sealings	Notes	Weight (kg)		
		Δp min	Δp max		Valve		Valve with manual override	Coil	AC (VA)		DC (W)						
			Gases	Liquids					Inrush	Holding							
AC	DC	AC	DC														
1 ¼ NPT	30	0,50	10	10	10	10	15	L182D50	L182D51	ZA10A	23	14	9	EPDM	-	1,590	
1 ½ NPT	45															27	2,510
2 NPT	45															34	2,990

### Notes

- Sealings : EPDM = Ethylene-propylene elastomer
- Operation with gaseous fluids at high pressure without any outlet restriction can reduce the diaphragm life.
- WRAS approved solenoid valve (certificate n. 2007001).

ASCO™

www.Emerson.com/asco

EMERSON



青岛秉诚自动化设备有限公司  
地址：中国·青岛市重庆南路99号海尔云街甲3号楼7F

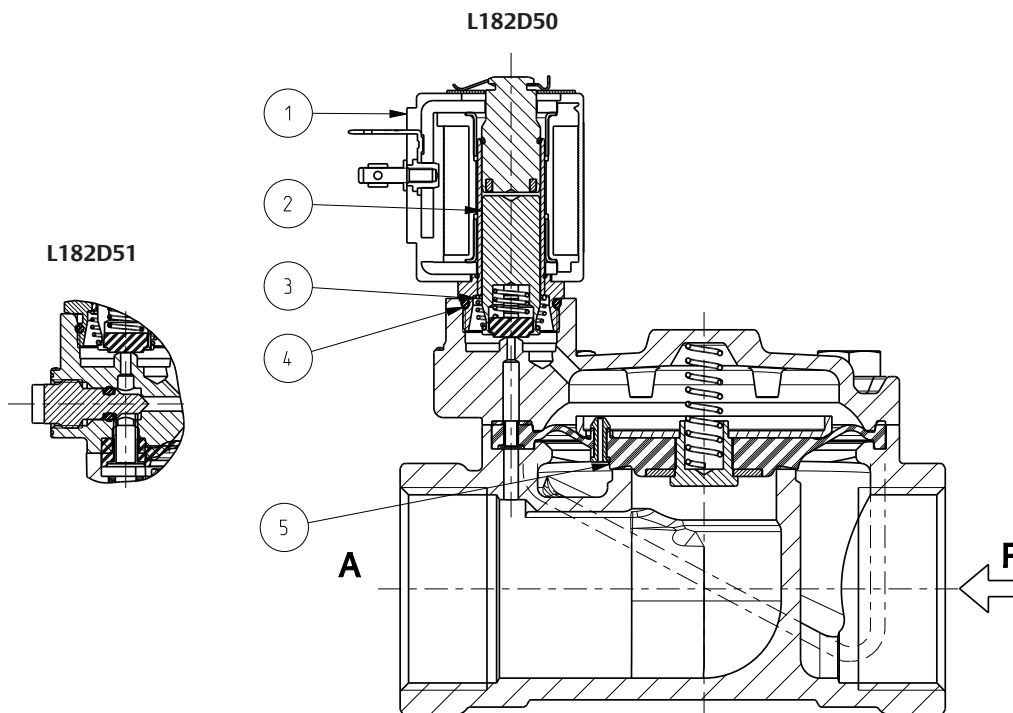
服务热线：4006-918-365  
网址：http://www.asco.store

传真：(86-532)585-10-365  
Email：sales@bechinas.com

SERIES  
**L182D-BIG-NPT**

**ASCO™ SOLENOID VALVE**  
2/2 NORMALLY CLOSED – PILOT OPERATED - 1 ¼ ÷ 2 NPT

Spare Parts



Kit description	Port Size	Kit P.N.	Consisting of:
Core kit		G3146803	Core pos. 2 Core return spring pos. 3 OR guide assembly pos. 4
Diaphragm kit	1 ¼ NPT 1 ½ - 2 NPT	2400804R 2401305R	Diaphragm assembly pos. 5
Coil		ZA10A	Coil pos. 1

**Installation**

- Solenoid valve can be mounted in any position; vertical with coil upwards preferred.

THE VALIDITY OF REPORTED DATA IS REFERRED TO THE DATE OF ISSUE. POSSIBLE UPDATES ARE AVAILABLE ON REQUEST