

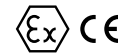
Sequencers for Dust Collector Systems

ΔP control via internal pressure sensor for the control of up to 48 solenoid valves

Series
E909BB

Features

- Electronic controller for the control of solenoid valves in dust collector systems
- Integral ΔP sensor for ON/OFF filter cleaning cycles
- Microprocessor management
- Standard supply voltage and output voltage selectable via jumper
- 3 programming keys
- 3 digit LED display
- Adjustable pulse and interval times
- Automatic detection of number of valves
- Additional post-cleaning cycle mode
- High immunity from external interference
- Short-circuit protection of every single output
- 1 output relay (e.g. group alarm), 2 digital inputs (volt-free)



Construction

Housing	ABS (acryl nitrile butadiene styrene), grey
Cover	PC (polycarbonate), transparent

Electrical Characteristics

Standard supply voltage	AC (~) 230/115 V	
Output voltage	DC (=) 24 V	
Other voltages on request		
max. load power per output	ambient temperature	electrical enclosure protection
(W)	(°C)	
25	-10 to 50	IP65

Specifications

Number of solenoid valves (1)	Adjustable pulse time	Adjustable interval time	tube connection for ΔP sensor	Size	Catalogue number
	sec.	sec.	\emptyset mm		
4	0,05 – 5,0	1 – 999	6/4	1	E909BB4MU1.3
8					E909BB8MU1.3
12					E909BB12MU1.3
16					E909BB16MU1.3
24				2	E909BB24MU1.5
32				E909BB32MU1.5	
40				3	E909BB40MU7.5
48				E909BB48MU7.5	

(1) up to 192 valves on request.

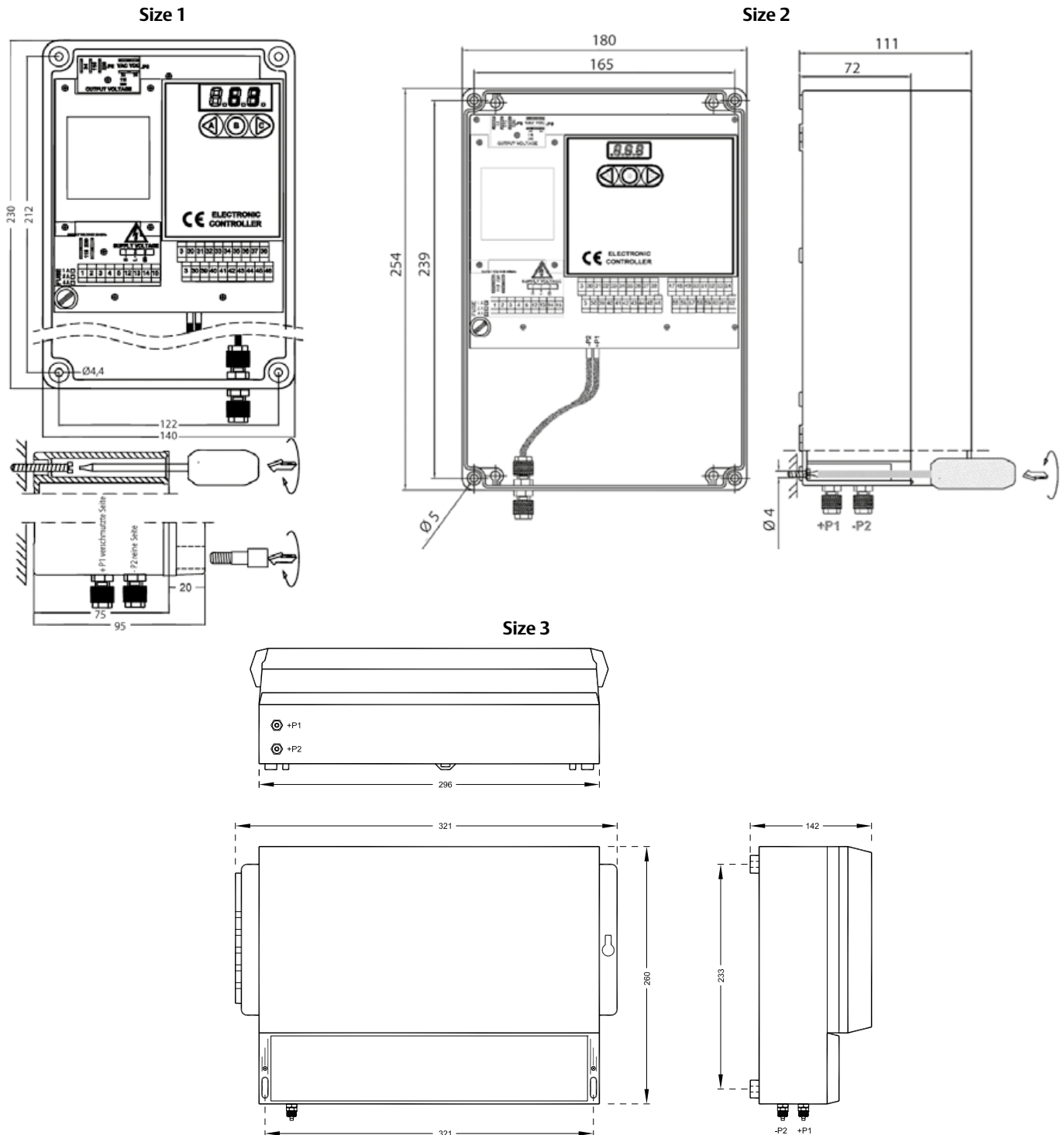
Options (on request)

- Other voltage ratings, other housings and devices with ATEX approval

Installation

- Installation/maintenance instructions are included with each sequencer

Dimensions (mm), Weights



Sequencers for Dust Collector Systems

ΔP control via internal pressure sensor for the control of up to 48 solenoid valves

Series
E909BB

Wiring diagram

