

# ASCO™ Gas Shutoff Valves

Pilot Operated | 3/8" - 3/4" NPT

2/2  
SERIES  
8210

## Features

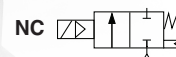
- 2-way normally closed operation
- For control of commercial and industrial gas burners
- Ideal for high pressure applications
- Brass body construction
- Mountable in any position

## Fluid

Fuel Gas

## Construction

Valve Parts in Contact with Fluids	
Body	Brass
Seals and Disc	NBR
Core Tube	305 Stainless Steel
Core and Plugnut	430F Stainless Steel
Springs	302 Stainless Steel
Shading Coil	Copper



## Electrical

Standard Coil and Class of Insulation	Watt Rating and Power Consumption			Ambient Temp. °F	Spare Coil Family	
	AC				General Purpose	Explosionproof
	Watts	VA Holding	VA Inrush		AC	AC
F	10.1	25	70	-20 to 125	238610	238614
F	10.1	25	70	-20 to 140	238810	238914

**Standard Voltages:** 24, 120, 240 volts AC, 60 Hz (or 110, 220 volts AC, 50 Hz).  
**Optional High Ambient Temp:** 140°F Class H coil with prefix HT.

## Approvals

UL listed to standard 429 "Electrically Operated Valves," Guide Y10Z, File MP618, Safety Valves.

FM Approved to Class 7400 "Liquid and Gas Safety Shutoff Valves."

CSA Certified to:

- 1) Standard C22.2 No. 139 "Electrically Operated Valves," File 010381
- 2) Automatic Gas Valves Z21.21 (6.5), File 112872.

## Solenoid Enclosures

**Standard:** Watertight, Types 1, 2, 3, 3S, 4, and 4X with 1/2" conduit hub.

**Optional:** RedHat II - Explosionproof and Watertight. To order, add Prefix "EF" to catalog numbers. (e.g. EF8210G075).

## Valve Response Time

**Opening Time:** Less than 1 second

**Closing Time:** Less than 1 second

COMBUSTION

Specifications English units (Metric)

Pipe Size (in)	Orifice Size (in)	Flow Factor Cv (Kv)	Gas Capacity ① Btu/hr.	Operating Pressure Differential psi (bar)		Max. Fluid Temp. °F (°C)	Catalog Number	Const. Ref.	Agency			Wattage	Approx. Shipping Weight lbs (kgs)
				Min.	Max.				UL	FM	CSA		
<b>COMBUSTION (Fuel Gas) - NORMALLY CLOSED</b>													
3/8	5/8	2.8 (2.4)	150,000	0	50 (3.4)	125 (52)	8210G074	1	○	○	○	10.1	3.2 (1.5)
1/2	5/8	3.6 (3.1)	193,000	0	50 (3.4)	125 (52)	8210G075	1	○	○	○	10.1	3.2 (1.5)
3/4	3/4	5.0 (4.3)	295,000	0	50 (3.4)	125 (52)	8210G076	2	○	○	○	10.1	3.2 (1.5)

○ = Safety Shutoff Valve. ① 1" W.C. Drop @ 2" W.C. Inlet Pressure, 1,000 Btu/cu.ft. or more, 0.64 Specific Gravity Gas.

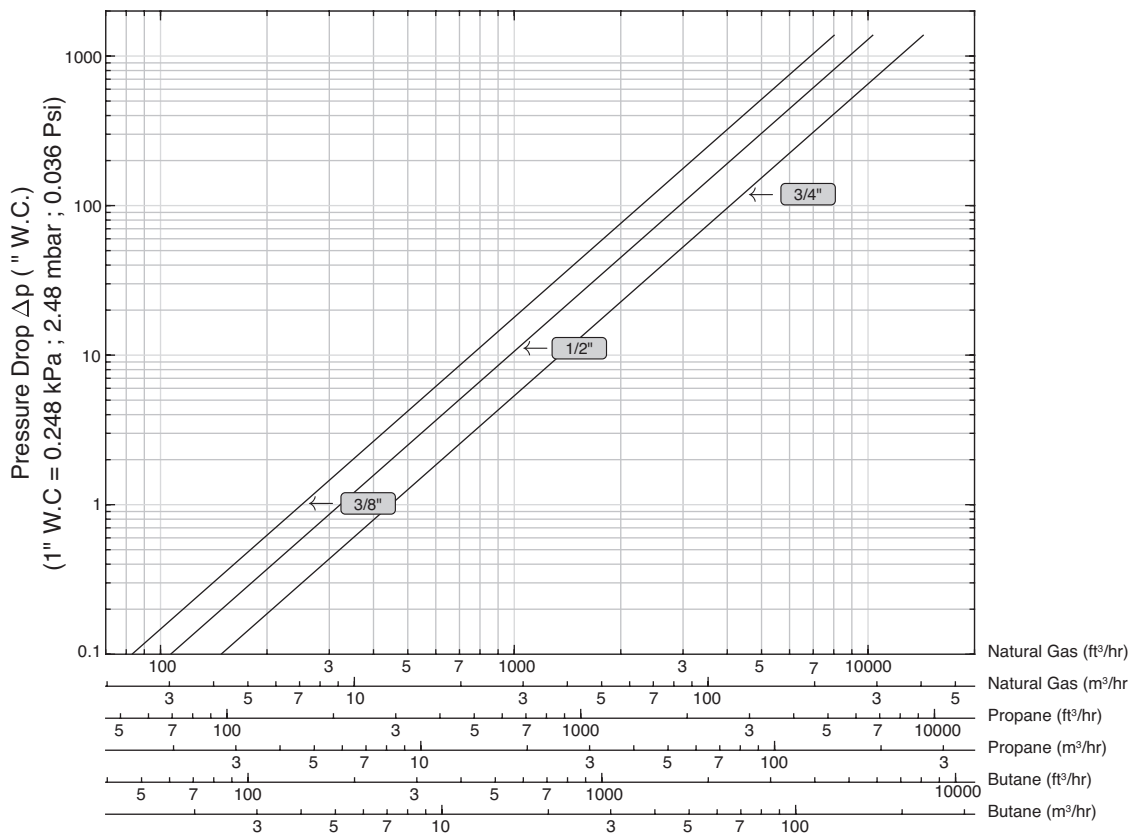
Capabilities Chart

Solenoid Options				Base Catalog Number	Resilient Materials	Standard Rebuild Kit
NEMA Type 3-9	High Temp.	Junction Box	Wiring Box Screw Terminal	Brass	NBR	AC
EF	HT	JB	JKF	8210G074	●	304076
EF	HT	JB	JKF	8210G075	●	304076
EF	HT	JB	JKF	8210G076	●	304076

● = Standard. Other options may be available. All option combinations may not be available.

Gas Flow Chart

8210 N.C Watertight



Note: Flow curves are based on the following standard conditions: 5 psi (0.3 bar) inlet pressure and 68°F (20°C) fluid temperature.

# ASCO™ Gas Shutoff Valves

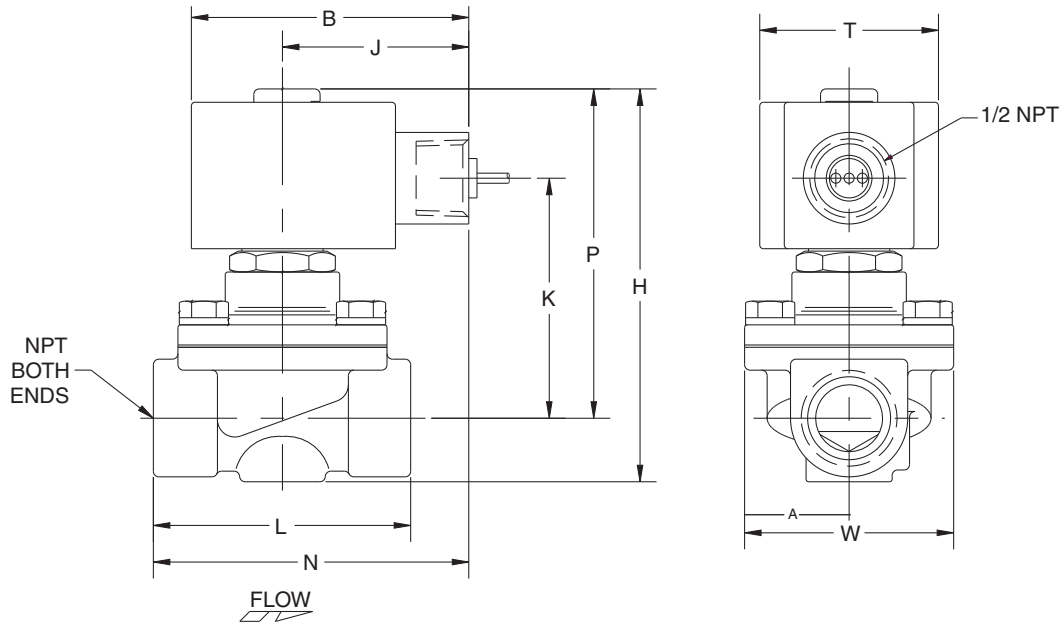
Pilot Operated | 3/8" - 3/4" NPT

2/2  
SERIES  
8210

## Dimensions inches (mm)

Const. Ref.		A	B	H	J	K	L	N	P	T	W
1	in	1.66	3.03	3.95	2.04	2.42	2.75	3.42	3.39	1.95	2.28
	mm	42	77	100	52	61	70	87	86	50	58
2	in	1.66	3.03	4.20	2.04	2.58	2.81	3.45	3.55	1.95	2.28
	mm	42	77	107	52	66	71	88	90	50	58

Const. Ref. 1, 2



Mountable in any position.

COMBUSTION