

In-line Filter

- Extensive range of pleated filter elements to remove solid particles down to 0.01 microns. Air purity class according to ISO 8573-1:2010
- PTFE pleated filter elements include 0.01 microns
Max temperature at 50 °C (122 °F)
Max pressure at 6 bar
Straight PP housing

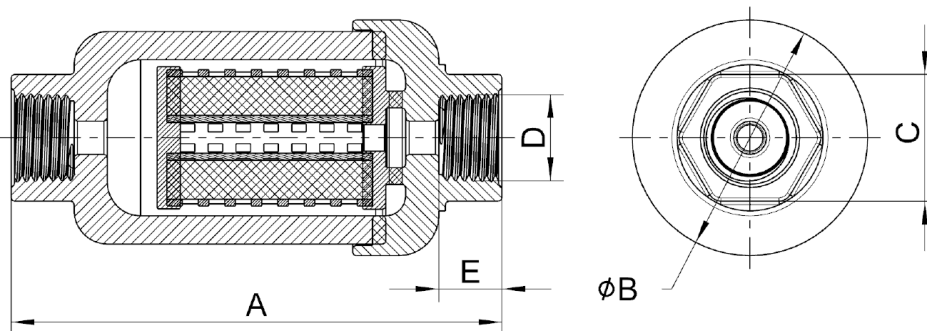


Performance Data		
Catalog Number		X65154673800100
Port Sizes		1/4
Thread Type		G
Nominal Flow - Per ISO 6358 P1 = 91.4 PSI (6.3 bar) ΔP = 5 PSI (0.35 bar)	Micron Rating	SCFM (L/min ANR)
	1/4 0.01μm	700
Maximum Inlet Pressure (bar)		6
Ambient Temperature Range °F (°C)		35 to 122 (1.7 to 50)
Fluid Temperature Range °F (°C)		35 to 122 (1.7 to 50)
Fluid		Air or Inert Gas
Weight (g)		37

Materials in Contact with Fluids	
Bow	PP
Seals	NA(Welding body)
Filter Element	PTFE pleated diaphragm with PP support
Filter Element End Cap	PP

Air Purity Class - ISO 8573-1:2010*	
0.01μm	(2:7:2)

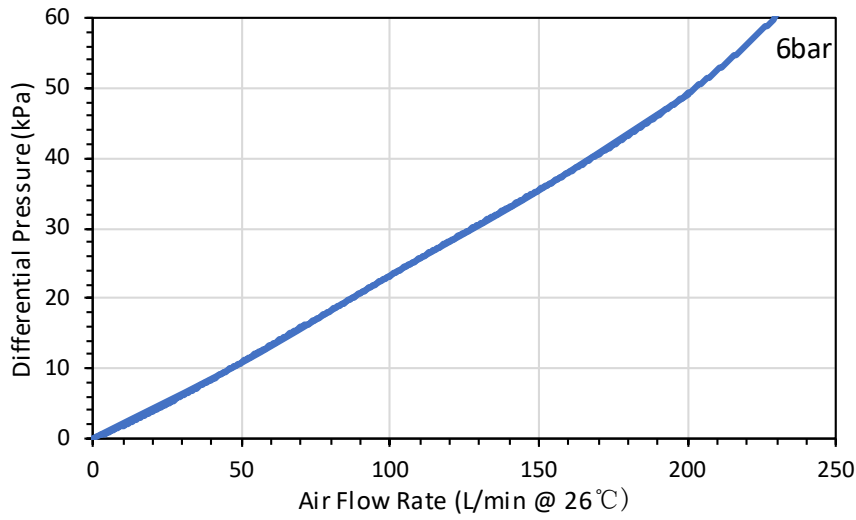
Dimensions: mm (inches) Series 651 Filter



651	D	A	B	C	E
	1/8	NA	NA	NA	NA
1/4	74	35.5	19.1	9.5	
	(2.91)	(1.40)	(0.75)	(0.37)	

TR000145ENUS-01_07-20
Availability, design and specifications are subject to change without notice. All rights reserved.

Flow Chart



TR000145ENUS-01_07-20