

Multipole plug, series CON- MP



AVENTICS™ Multipole plug, series CON-MP



青岛秉诚自动化设备有限公司
地址：中国·青岛市重庆南路99号海尔云街甲3号楼7F

服务热线：4006-918-365
网址：<http://www.asco.store>

传真：(86-532)585-10-365
Email：sales@bechinas.com

Multipole plug, series CON-MP

- Socket, D-Sub, 25-pin, Angled/straight, 90°/180°

- unshielded



Connection type	Soldering/crimping
Ambient temperature min./max.	-5 ... 50 °C
Operational voltage	24 V DC
Protection class	IP65
Weight	0.042 kg

Technical data

Part No.	Max. current	suitable cable-Ø min./max
R412011240	3 A	4 / 16 mm

Scope of delivery: multipole plug including 1 tube nut and 1 elbow fitting

Technical information

The specified protection class is only valid in assembled and tested state.

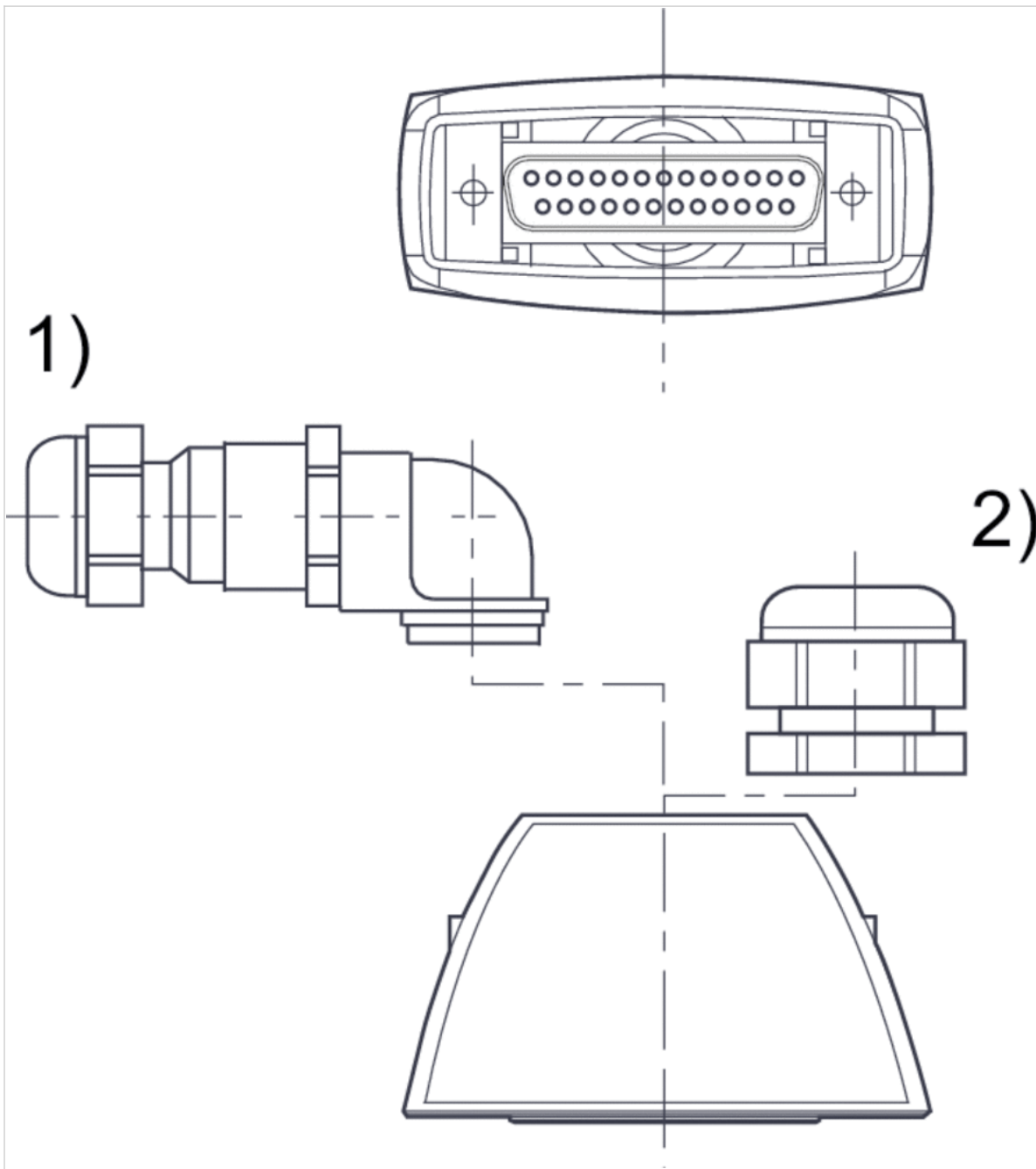
Note for use with VS LP04: The plug can only be used in the LP04 versions with a side electrical connection.

Technical information

Material	
Housing	Polyamide

Dimensions

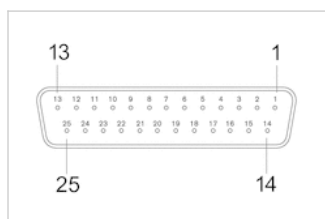
Dimensions



- 1) Elbow fitting
- 2) tube nut

Pin assignments

PIN assignment and cable colors, cable identification as per DIN 47100



Socket

Multipole plug, series CON-MP

- Plug, D-Sub, 25-pin, Angled/straight, 90°/180°
- unshielded



Connection type	Soldering/crimping
Ambient temperature min./max.	-5 ... 50 °C
Operational voltage	24 V DC
Protection class	IP65
Weight	0.042 kg

Technical data

Part No.	Max. current	suitable cable-Ø min./max
R412011241	3 A	4 / 16 mm

Scope of delivery: multipole plug including 1 tube nut and 1 elbow fitting

Technical information

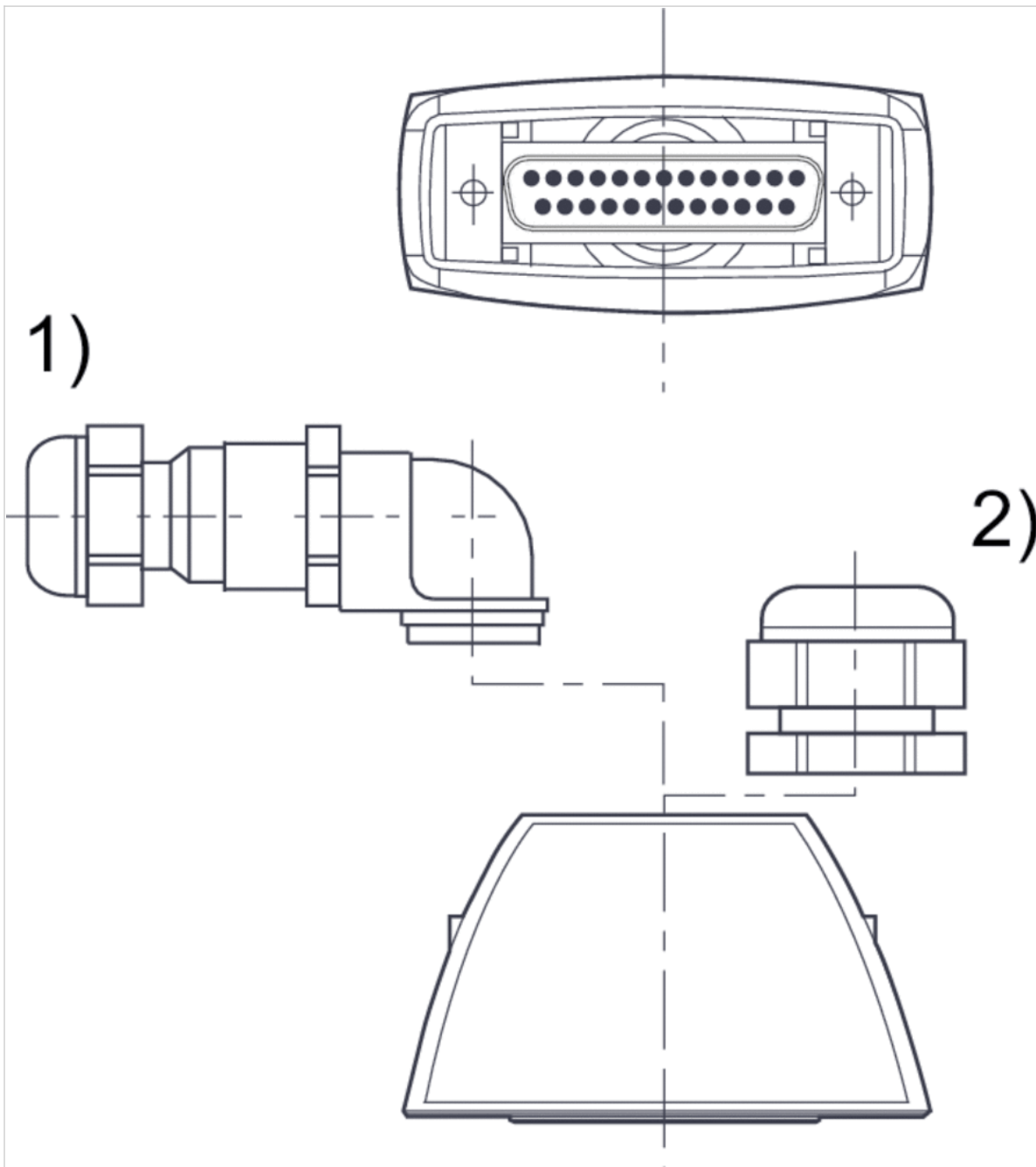
The specified protection class is only valid in assembled and tested state.
 Note for use with VS LP04: The plug can only be used in the LP04 versions with a side electrical connection.

Technical information

Material	
Housing	Polyamide

Dimensions

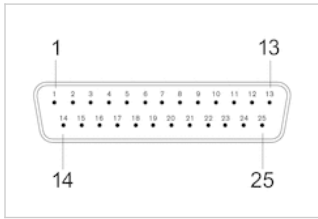
Dimensions



- 1) Socket
- 2) tube nut

Pin assignments

PIN assignment and cable colors, cable identification as per DIN 47100



Plug

Multipole plug, series CON-MP

- Socket, D-Sub, 44-pin, Angled/straight, 90°/180°
- unshielded



Connection type	Soldering/crimping
Ambient temperature min./max.	-5 ... 50 °C
Operational voltage	24 V DC
Protection class	IP65
Weight	0.042 kg

Technical data

Part No.	Max. current	suitable cable-Ø min./max
R412011259	3 A	4 / 16 mm

Scope of delivery: multipole plug including 1 tube nut and 1 elbow fitting

Technical information

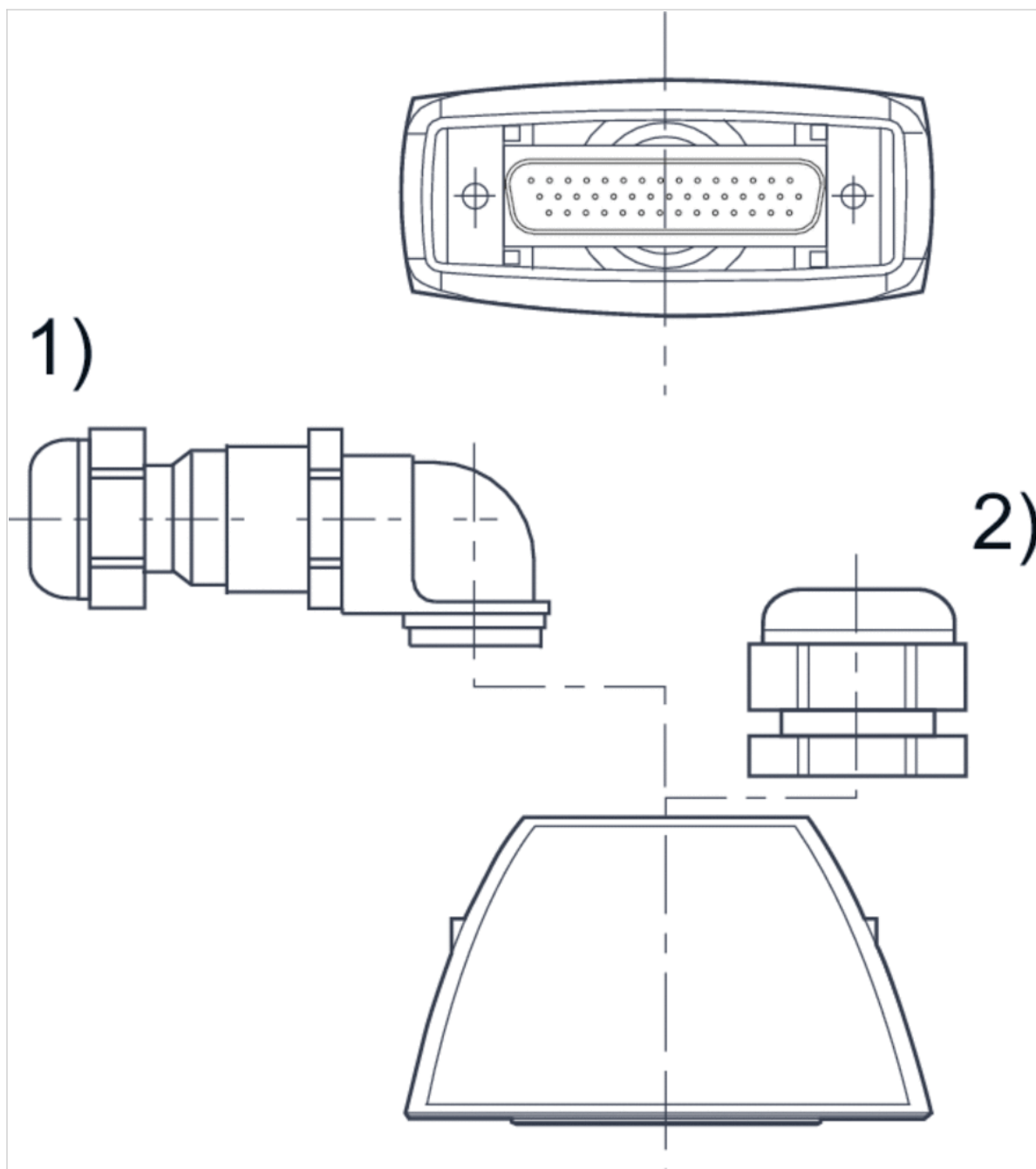
The specified protection class is only valid in assembled and tested state.
 Note for use with VS LP04: The plug can only be used in the LP04 versions with a side electrical connection.

Technical information

Material	
Housing	Polyamide

Dimensions

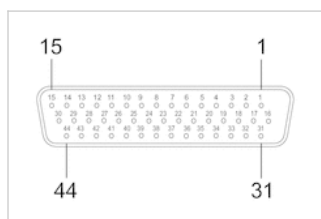
Dimensions



- 1) Elbow fitting
- 2) tube nut

Pin assignments

PIN assignment and cable colors, cable identification as per DIN 47100



Socket

Efficient pneumatic solutions, our program: cylinders and drives, valves and valve systems, air supply management



Visit us: Emerson.com/Aventics

Your local contact: Emerson.com/contactus



Emerson.com



Facebook.com/EmersonAutomationSolutions



LinkedIn.com/company/Emerson-Automation-Solutions



Twitter.com/EMR_Automation

An example configuration is depicted on the title page. The delivered product may thus vary from that in the illustration. Subject to change. This Document, as well as the data, specifications and other information set forth in it, are the exclusive property of AVENTICS GmbH. It may not be reproduced or given to third parties without its consent. Only use the AVENTICS products shown in industrial applications. Read the product documentation completely and carefully before using the product. Observe the applicable regulations and laws of the respective country. When integrating the product into applications, note the system manufacturer's specifications for safe use of the product. The data specified only serve to describe the product. No statements concerning a certain condition or suitability for a certain application can be derived from our information. The information given does not release the user from the obligation of own judgment and verification. It must be remembered that the products are subject to a natural process of wear and aging.

The Emerson logo is a trademark and service mark of Emerson Electric Co. Brand logotype are registered trademarks of one of the Emerson family of companies. All other marks are the property of their respective owners. © 2017 Emerson Electric Co. All rights reserved.
2019-03



CONSIDER IT SOLVED™



青岛秉诚自动化设备有限公司
地址：中国·青岛市重庆南路99号海尔云街甲3号楼7F

服务热线：4006-918-365
网址：<http://www.asco.store>

传真：(86-532)585-10-365
Email：sales@bechinas.com