

### Features

- Limits pressure in the system to help prevent process upset and equipment failure

### Construction

Valve Parts in Contact with Fluids	
Body	316L Stainless Steel
Seals	NBR

### Media

Air or inert gas

### Nominal Ambient Temp. Ranges

-4°F to 221°F (-20°C to 105°C)

Refer to Engineering Section for details.



### Specifications (English units)

Pipe Size (in)	Maximum Operating Pressure Differential psi (bar)	Max. Fluid Temp. °F (°C)	Base Catalog Number	Const. Ref.
1/4	200 (14)	221 (105)	U800A700 ①	1
1/2	200 (14)	221 (105)	U800A702 ①	2

① See How to Order section to complete part number

### How to Order

**U 800 A 700 01 N00 L4**

**Connection Type**  
U = External NPT

**Product Series**  
800

**Revision**  
A

**Pipe Size / Body Material**  
700 1/4" 316 SS Pressure Relief Valve  
702 1/2" 316L SS Pressure Relief Valve

**Pressure Range Type\***  
01 1/4" Pressure Relief Valve Setting 146 to 217 psi (10.1 to 15 bar)  
02 1/4" Pressure Relief Valve Setting 29 to 145 psi (2 to 10 bar)  
03 1/2" Pressure Relief Valve Setting 102 to 174 psi (7.1 to 12 bar)  
04 1/2" Pressure Relief Valve Setting 29 to 101 psi (2 to 7 bar)

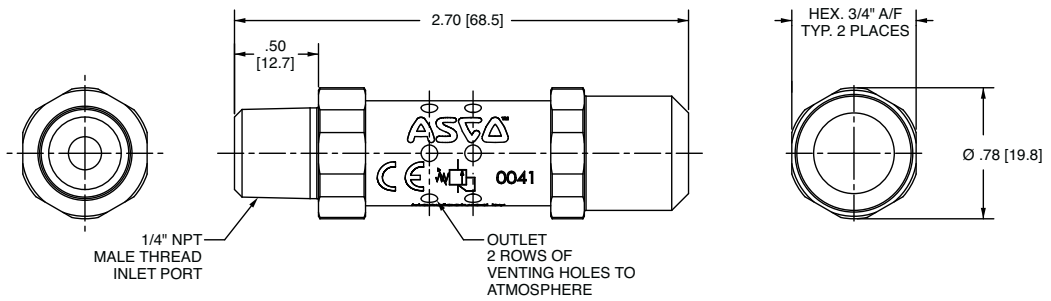
**Elastomer**  
N00 = NBR

**Pressure Settings**

C0 = 29 psi / 2.0 bar	F4 = 78 psi / 5.4 bar	J8 = 127 psi / 8.8 bar	M9 = 172 psi / 11.9 bar
C1 = 30 psi / 2.1 bar	F5 = 80 psi / 5.5 bar	J9 = 129 psi / 8.9 bar	N0 = 174 psi / 12.0 bar
C2 = 32 psi / 2.2 bar	F6 = 81 psi / 5.6 bar	K0 = 130 psi / 9.0 bar	N1 = 175 psi / 12.1 bar
C3 = 33 psi / 2.3 bar	F7 = 82 psi / 5.7 bar	K1 = 132 psi / 9.1 bar	N2 = 177 psi / 12.2 bar
C4 = 35 psi / 2.4 bar	F8 = 84 psi / 5.8 bar	K2 = 133 psi / 9.2 bar	N3 = 178 psi / 12.3 bar
C5 = 36 psi / 2.5 bar	F9 = 85 psi / 5.9 bar	K3 = 135 psi / 9.3 bar	N4 = 180 psi / 12.4 bar
C6 = 37 psi / 2.6 bar	G0 = 87 psi / 6.0 bar	K4 = 136 psi / 9.4 bar	N5 = 181 psi / 12.5 bar
C7 = 39 psi / 2.7 bar	G1 = 88 psi / 6.1 bar	K5 = 137 psi / 9.5 bar	N6 = 183 psi / 12.6 bar
C8 = 40 psi / 2.8 bar	G2 = 90 psi / 6.2 bar	K6 = 139 psi / 9.6 bar	N7 = 184 psi / 12.7 bar
C9 = 42 psi / 2.9 bar	G3 = 91 psi / 6.3 bar	K7 = 140 psi / 9.7 bar	N8 = 185 psi / 12.8 bar
D0 = 43 psi / 3.0 bar	G4 = 93 psi / 6.4 bar	K8 = 142 psi / 9.8 bar	N9 = 187 psi / 12.9 bar
D1 = 45 psi / 3.1 bar	G5 = 94 psi / 6.5 bar	K9 = 143 psi / 9.9 bar	P0 = 188 psi / 13.0 bar
D2 = 46 psi / 3.2 bar	G6 = 95 psi / 6.6 bar	L0 = 145 psi / 10.0 bar	P1 = 190 psi / 13.1 bar
D3 = 48 psi / 3.3 bar	G7 = 97 psi / 6.7 bar	L1 = 146 psi / 10.1 bar	P2 = 191 psi / 13.2 bar
D4 = 49 psi / 3.4 bar	G8 = 98 psi / 6.8 bar	L2 = 148 psi / 10.2 bar	P3 = 193 psi / 13.3 bar
D5 = 50 psi / 3.5 bar	G9 = 100 psi / 6.9 bar	L3 = 149 psi / 10.3 bar	P4 = 194 psi / 13.4 bar
D6 = 52 psi / 3.6 bar	H0 = 101 psi / 7.0 bar	L4 = 151 psi / 10.4 bar	P5 = 196 psi / 13.5 bar
D7 = 53 psi / 3.7 bar	H1 = 103 psi / 7.1 bar	L5 = 152 psi / 10.5 bar	P6 = 197 psi / 13.6 bar
D8 = 55 psi / 3.8 bar	H2 = 104 psi / 7.2 bar	L6 = 153 psi / 10.6 bar	P7 = 199 psi / 13.7 bar
D9 = 56 psi / 3.9 bar	H3 = 106 psi / 7.3 bar	L7 = 155 psi / 10.7 bar	P8 = 200 psi / 13.8 bar
E0 = 58 psi / 4.0 bar	H4 = 107 psi / 7.4 bar	L8 = 156 psi / 10.8 bar	P9 = 201 psi / 13.9 bar
E1 = 59 psi / 4.1 bar	H5 = 108 psi / 7.5 bar	L9 = 158 psi / 10.9 bar	Q0 = 203 psi / 14.0 bar
E2 = 61 psi / 4.2 bar	H6 = 110 psi / 7.6 bar	M0 = 160 psi / 11.0 bar	Q1 = 204 psi / 14.1 bar
E3 = 62 psi / 4.3 bar	H7 = 111 psi / 7.7 bar	L6 = 156 psi / 10.8 bar	Q2 = 206 psi / 14.2 bar
E4 = 64 psi / 4.4 bar	H8 = 113 psi / 7.8 bar	L9 = 158 psi / 10.9 bar	Q3 = 207 psi / 14.3 bar
E5 = 65 psi / 4.5 bar	H9 = 114 psi / 7.9 bar	M0 = 160 psi / 11.0 bar	Q4 = 209 psi / 14.4 bar
E6 = 66 psi / 4.6 bar	J0 = 116 psi / 8.0 bar	M1 = 161 psi / 11.1 bar	Q5 = 210 psi / 14.5 bar
E7 = 68 psi / 4.7 bar	J1 = 117 psi / 8.1 bar	M2 = 162 psi / 11.2 bar	Q6 = 211 psi / 14.6 bar
E8 = 69 psi / 4.8 bar	J2 = 119 psi / 8.2 bar	M3 = 164 psi / 11.3 bar	Q7 = 213 psi / 14.7 bar
E9 = 71 psi / 4.9 bar	J3 = 120 psi / 8.3 bar	M4 = 165 psi / 11.4 bar	Q8 = 215 psi / 14.8 bar
F0 = 72 psi / 5.0 bar	J4 = 122 psi / 8.4 bar	M5 = 166 psi / 11.5 bar	Q9 = 216 psi / 14.9 bar
F1 = 74 psi / 5.1 bar	J5 = 123 psi / 8.5 bar	M6 = 168 psi / 11.6 bar	R0 = 217 psi / 15.0 bar
F2 = 75 psi / 5.2 bar	J6 = 124 psi / 8.6 bar	M7 = 170 psi / 11.7 bar	
F3 = 76 psi / 5.3 bar	J7 = 126 psi / 8.7 bar	M8 = 171 psi / 11.8 bar	

Dimensions inches (mm)

Const. Ref. 1



Const. Ref. 2

