

## Round plug connector, Series CON-RD



AVENTICS™ Round plug connector, Series CON-RD



青岛秉诚自动化设备有限公司  
地址：中国·青岛市重庆南路99号海尔云街甲3号楼7F

服务热线：4006-918-365  
网址：<http://www.asco.store>

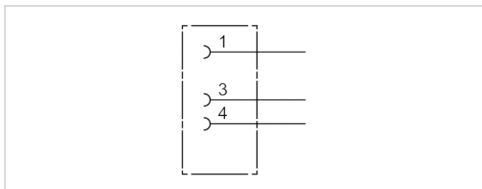
传真：(86-532)585-10-365  
Email：[sales@bechinas.com](mailto:sales@bechinas.com)

# Round plug connector, Series CON-RD

- Socket, M8x1, 3-pin, A-coded, straight, 180°
- UL (Underwriters Laboratories)
- unshielded



Connection type	Soldering
Ambient temperature min./max.	-25 ... 80 °C
Operational voltage	48 V AC/DC
Protection class	IP67
Weight	0.009 kg



## Technical data

Part No.	Max. current	suitable cable-Ø min./max
1834484173	4 A	3.5 / 5 mm

## Technical information

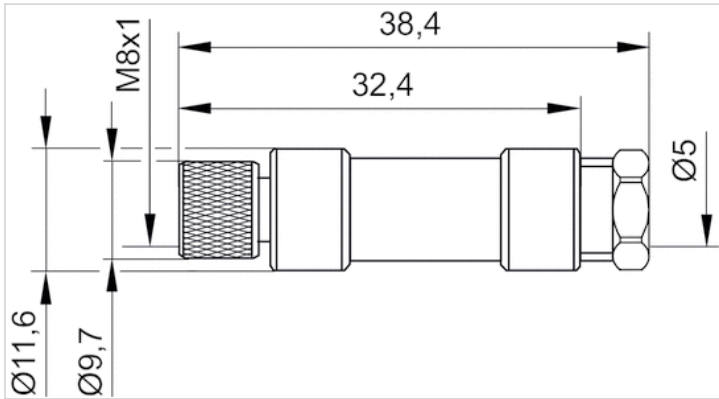
The specified protection class is only valid in assembled and tested state.

## Technical information

Material	
Housing	Polyamide

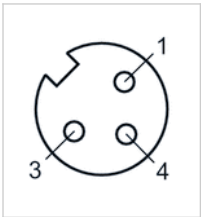
## Dimensions

### Dimensions



## Pin assignments

### Pin assignment, socket

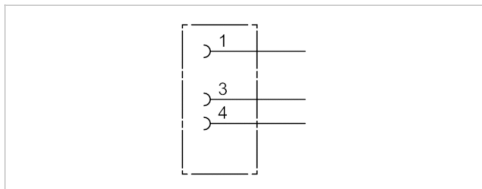


# Round plug connector, Series CON-RD

- Socket, M8x1, 3-pin, A-coded, angled, 90°
- UL (Underwriters Laboratories)
- unshielded



Connection type	Soldering
Ambient temperature min./max.	-40 ... 85 °C
Operational voltage	48 V AC/DC
Protection class	IP67
Weight	0.01 kg



## Technical data

Part No.	Max. current	Contact assignment	suitable cable-Ø min./max
1834484174	4 A	3	3.5 / 5 mm

## Technical information

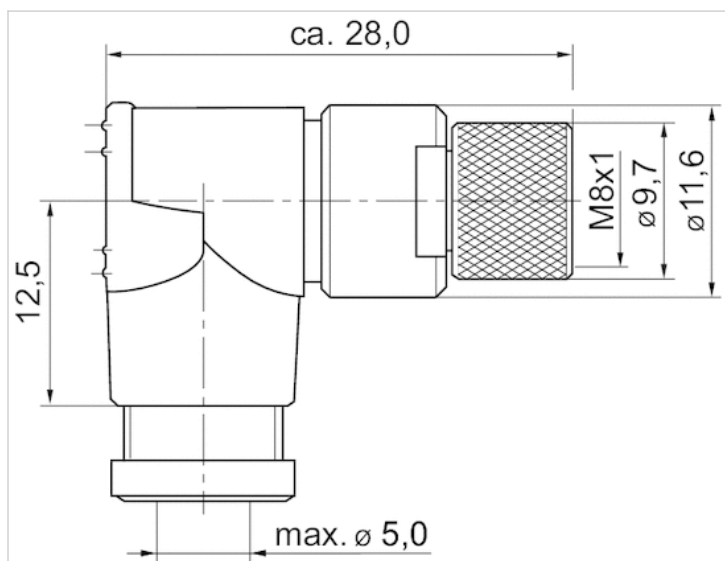
The specified protection class is only valid in assembled and tested state.

## Technical information

Material	
Housing	Polyamide

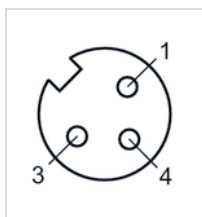
## Dimensions

### Dimensions



## Pin assignments

### Pin assignment, socket

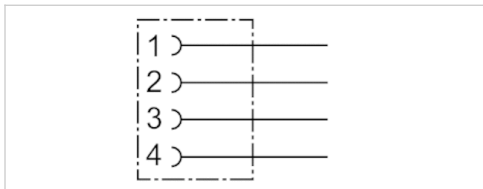


# Round plug connector, Series CON-RD

- Socket, M8x1, 4-pin, A-coded, straight, 180°
- UL (Underwriters Laboratories)
- unshielded



Ambient temperature min./max.	-40 ... 85 °C
Operational voltage	48 V AC/DC
Protection class	IP67
Weight	0.009 kg



## Technical data

Part No.	Max. current	suitable cable-Ø min./max
1834484175	4 A	3.5 / 5 mm

## Technical information

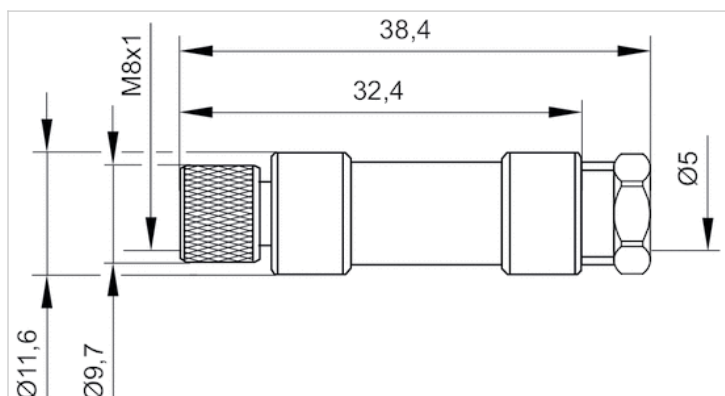
The specified protection class is only valid in assembled and tested state.

## Technical information

Material	
Housing	Polyamide

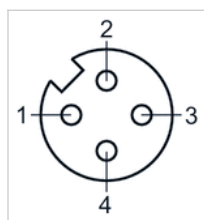
## Dimensions

### Dimensions



## Pin assignments

### Pin assignment, socket

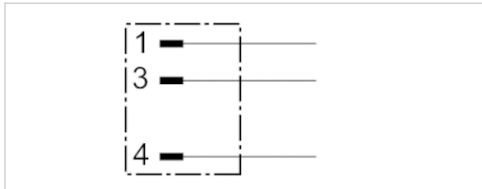


# Round plug connector, Series CON-RD

- Plug, M8x1, 3-pin, A-coded, straight, 180°
- unshielded



Connection type	Screws
Ambient temperature min./max.	-40 ... 85 °C
Operational voltage	48 V AC/DC
Protection class	IP67
Weight	0.01 kg



## Technical data

Part No.	Max. current	Contact assignment	suitable cable-Ø min./max
R412021676	4 A	3	3.5 / 5 mm

## Technical information

The specified protection class is only valid in assembled and tested state.

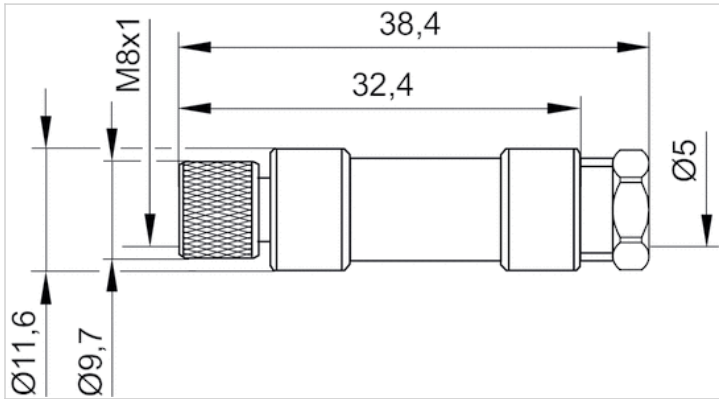
## Technical information

Material	
Housing	Polyamide



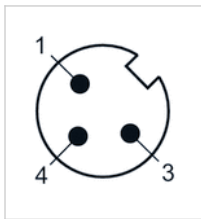
## Dimensions

### Dimensions



## Pin assignments

### Plug pin assignment



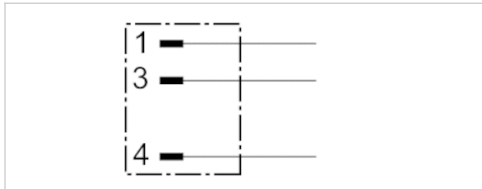
# Round plug connector, Series CON-RD

- Plug, M8x1, 3-pin, A-coded, angled, 90°
- unshielded



Connection type	Screws
Ambient temperature min./max.	-25 ... 85 °C
Operational voltage	48 V AC/DC
Protection class	IP67
Weight	0.01 kg

The delivered product may vary from that in the illustration.



## Technical data

Part No.	Max. current	Contact assignment	suitable cable-Ø min./max
R412021677	4 A	3	3.5 / 6 mm

## Technical information

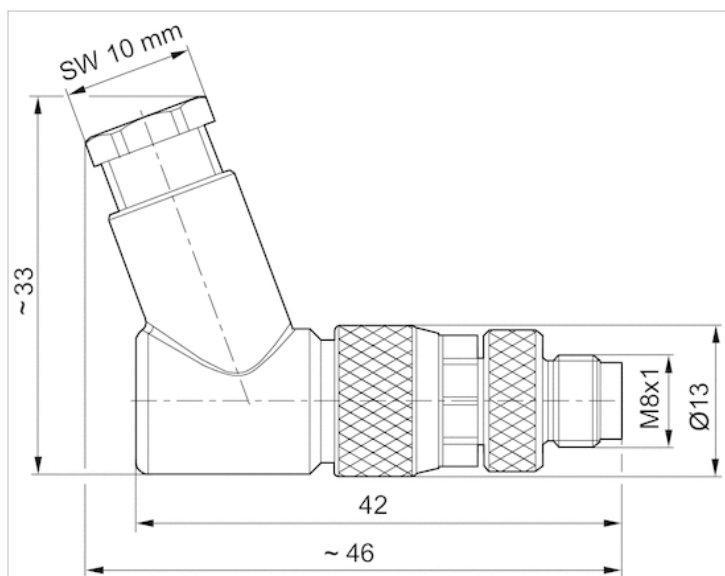
The specified protection class is only valid in assembled and tested state.

## Technical information

Material	
Housing	Polyamide

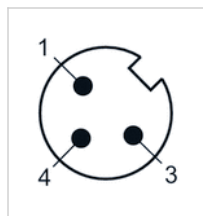
## Dimensions

### Dimensions



## Pin assignments

### Plug pin assignment

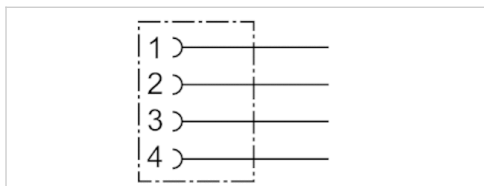


# Round plug connector, Series CON-RD

- Socket, M12x1, 4-pin, A-coded, straight, 180°
- UL (Underwriters Laboratories)
- unshielded



Connection type	Screws
Ambient temperature min./max.	-40 ... 85 °C
Operational voltage	48 V AC/DC
Protection class	IP67
Weight	0.015 kg



## Technical data

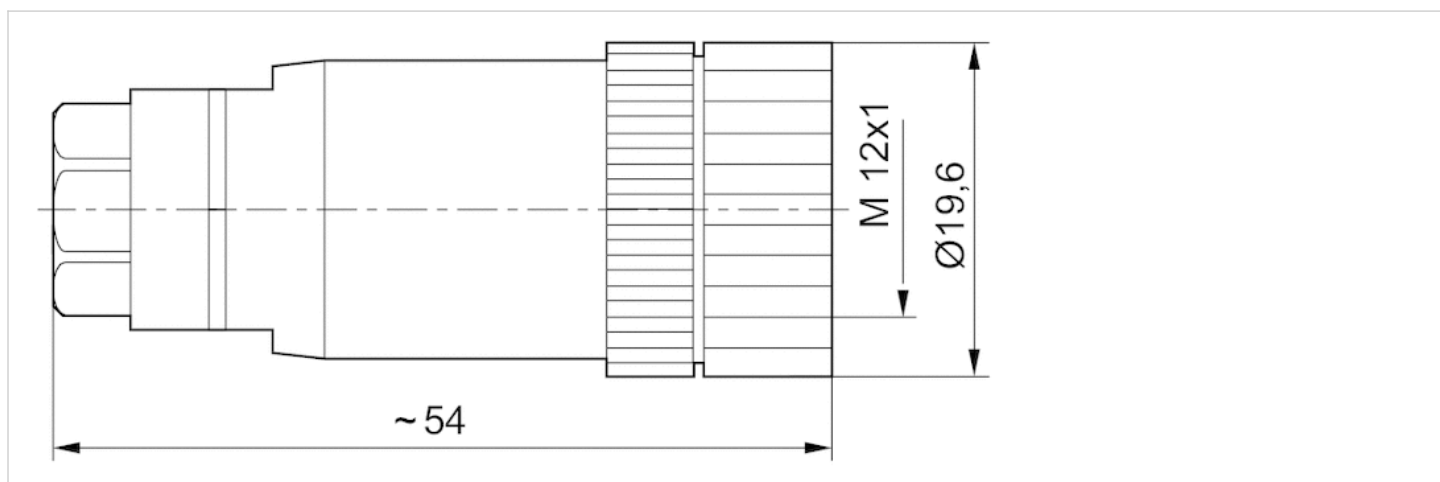
Part No.	Max. current	suitable cable-Ø min./max
1834484177	4 A	4 / 6 mm

## Technical information

Material	
Housing	Polyamide

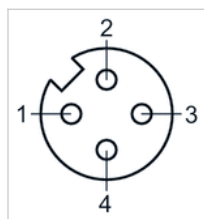
## Dimensions

### Dimensions



## Pin assignments

### Pin assignment, socket



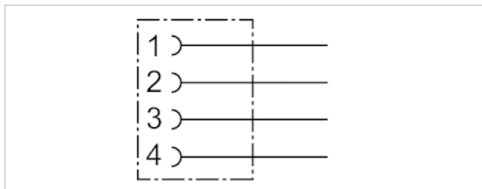
# Round plug connector, Series CON-RD

- Socket, M12x1, 4-pin, A-coded, straight, 180°
- UL (Underwriters Laboratories)
- unshielded



Connection type  
 Ambient temperature min./max.  
 Operational voltage  
 Protection class  
 Weight

Screws  
 -25 ... 90 °C  
 48 V AC/DC  
 IP67  
 0.029 kg  
 The delivered product may vary from that in the illustration.



## Technical data

Part No.	Max. current	suitable cable-Ø min./max
8941054324	4 A	4 mm

## Technical information

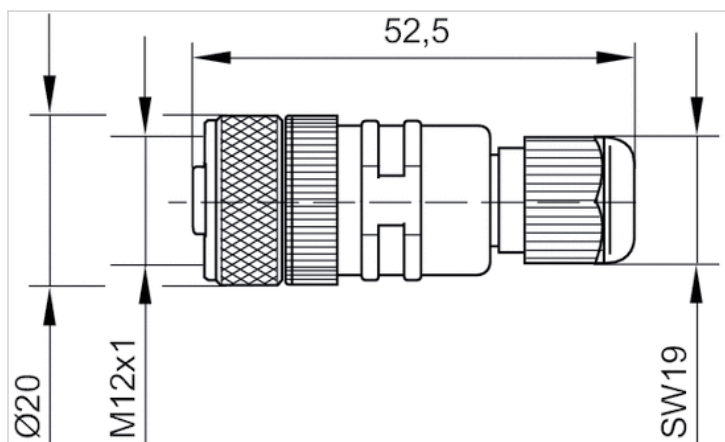
The specified protection class is only valid in assembled and tested state.

## Technical information

Material	
Housing	Polybutyleneterephthalate
Seals	Fluorocarbon caoutchouc

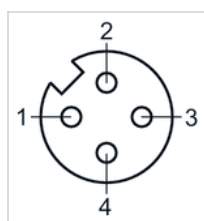
## Dimensions

### Dimensions



## Pin assignments

### Pin assignment, socket

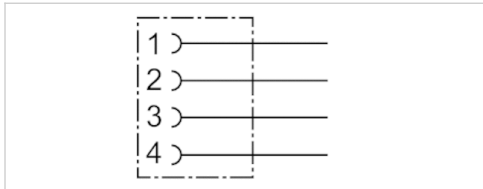


# Round plug connector, Series CON-RD

- Socket, M12x1, 4-pin, A-coded, angled, 90°
- unshielded



Connection type	Screws
Ambient temperature min./max.	-25 ... 90 °C
Operational voltage	48 V AC/DC
Protection class	IP67
Weight	0.027 kg



## Technical data

Part No.	Max. current	suitable cable-Ø min./max
8941054424	4 A	4 mm

## Technical information

The specified protection class is only valid in assembled and tested state.

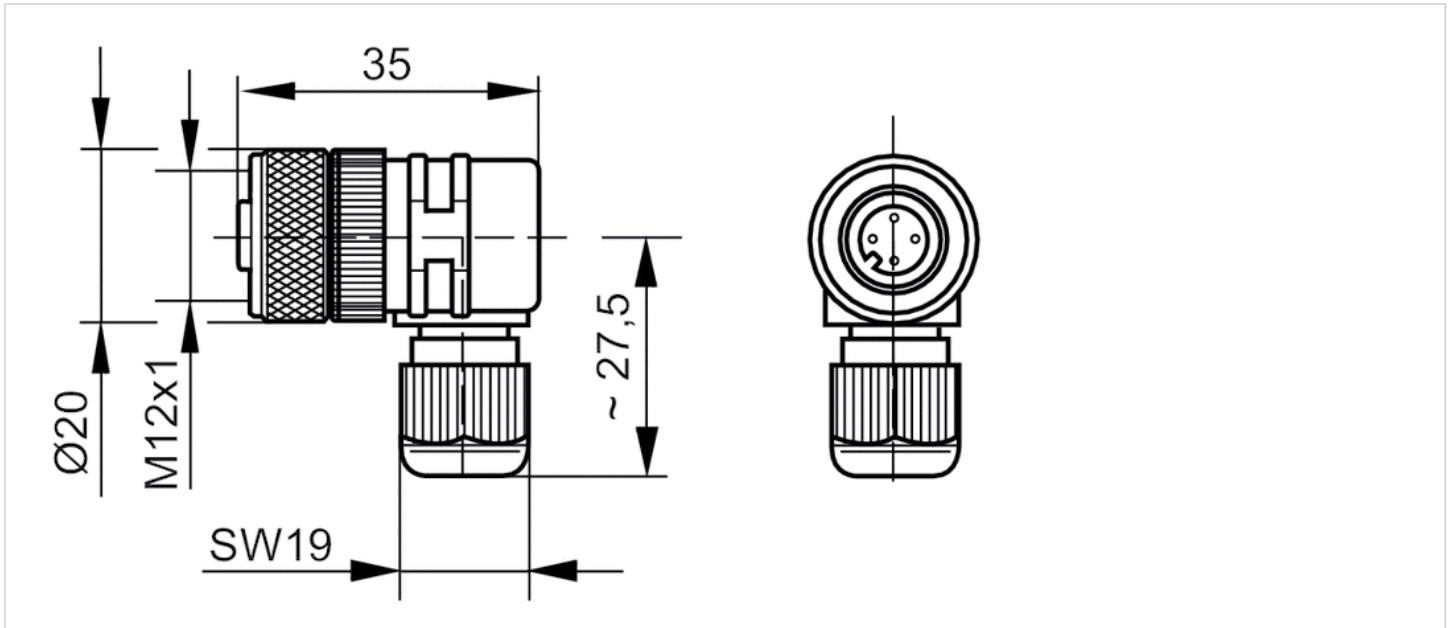
## Technical information

Material	
Housing	Polybutyleneterephthalate
Seals	Fluorocarbon caoutchouc



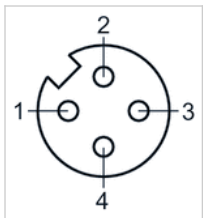
## Dimensions

### Dimensions



## Pin assignments

### Pin assignment, socket

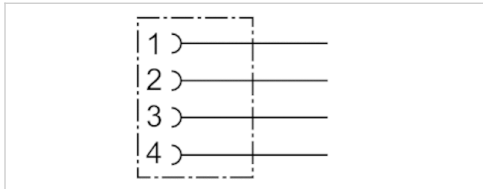


# Round plug connector, Series CON-RD

- Socket, M12x1, 4-pin, A-coded, angled, 90°
- unshielded



Connection type	Screws
Ambient temperature min./max.	-40 ... 85 °C
Operational voltage	48 V AC/DC
Protection class	IP67
Weight	0.016 kg



## Technical data

Part No.	Max. current	suitable cable-Ø min./max
1834484178	4 A	4 mm

## Technical information

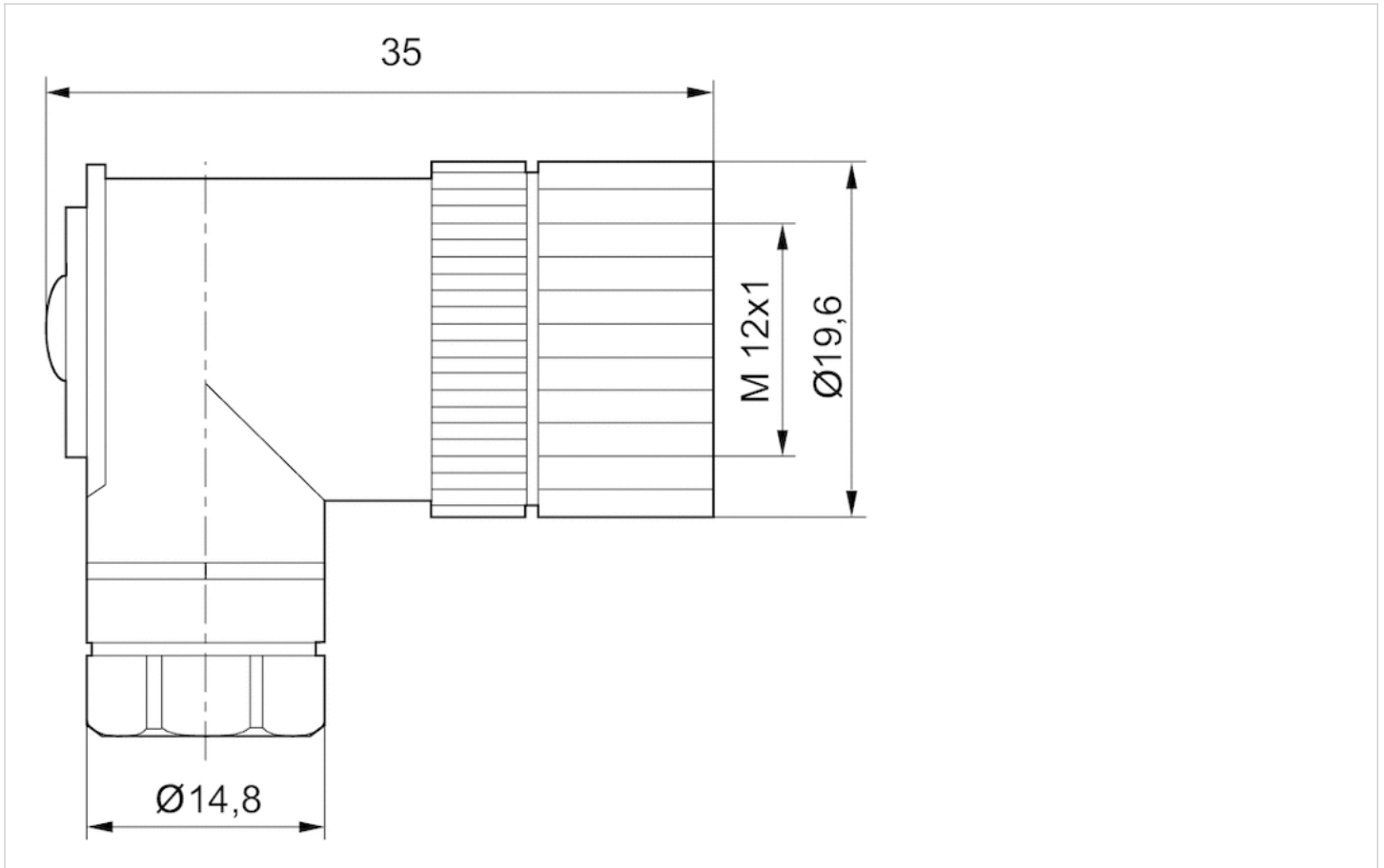
The specified protection class is only valid in assembled and tested state.

## Technical information

Material	
Housing	Polyamide

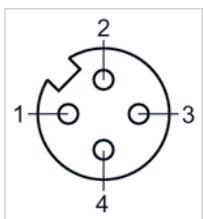
## Dimensions

### Dimensions



## Pin assignments

### Pin assignment, socket

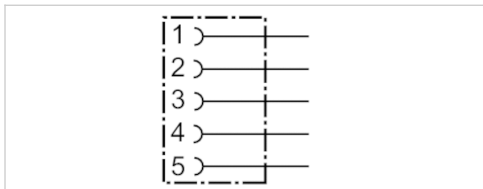


# Round plug connector, Series CON-RD

- Socket, M12x1, 5-pin, A-coded, straight, 180°
- for DeviceNet
- unshielded



Connection type	Screws
Ambient temperature min./max.	-40 ... 85 °C
Operational voltage	48 V AC/DC
Protection class	IP67
Weight	0.016 kg



## Technical data

Part No.	Max. current	suitable cable-Ø min./max
4407230020	4 A	4 mm

## Technical information

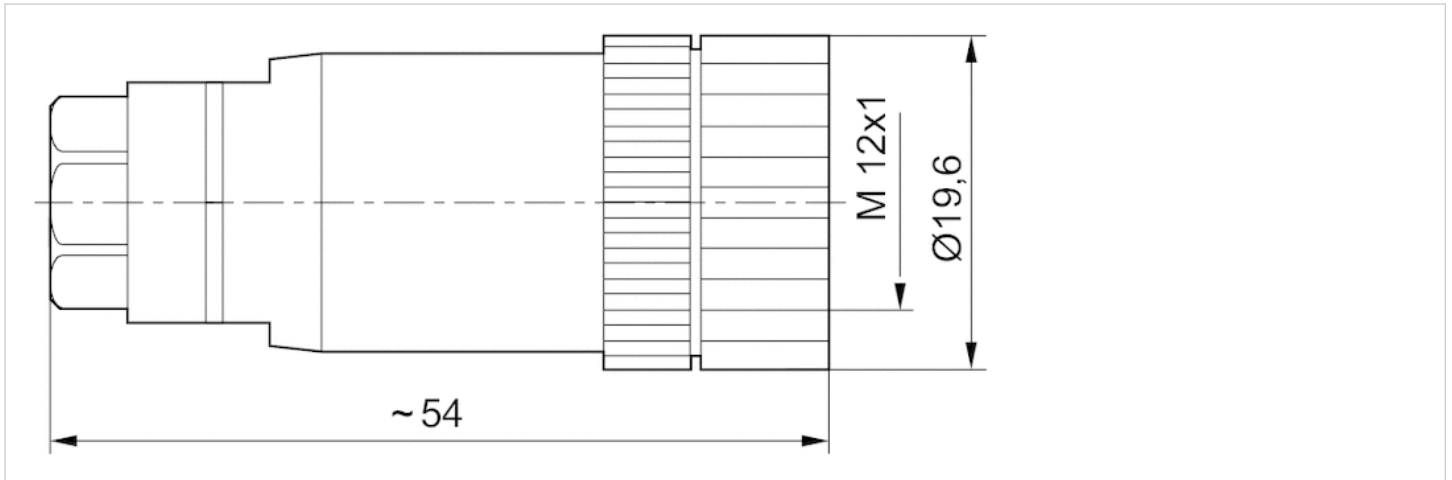
The specified protection class is only valid in assembled and tested state.

## Technical information

Material	
Housing	Polyamide

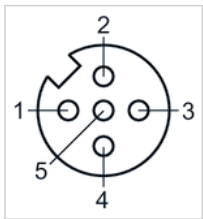
## Dimensions

### Dimensions



## Pin assignments

### Pin assignment, socket

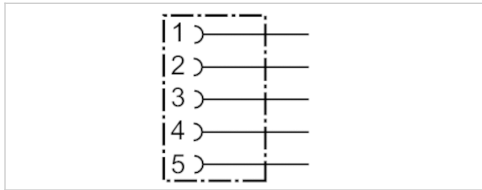


# Round plug connector, Series CON-RD

- Socket, M12x1, 5-pin, A-coded, straight, 180°
- for CANopen, DeviceNet
- UL (Underwriters Laboratories)
- shielded



Connection type	Screws
Ambient temperature min./max.	-40 ... 85 °C
Operational voltage	48 V AC/DC
Protection class	IP67
Weight	0.051 kg



## Technical data

Part No.	Max. current	suitable cable-Ø min./max
8942051602	4 A	6 mm

## Technical information

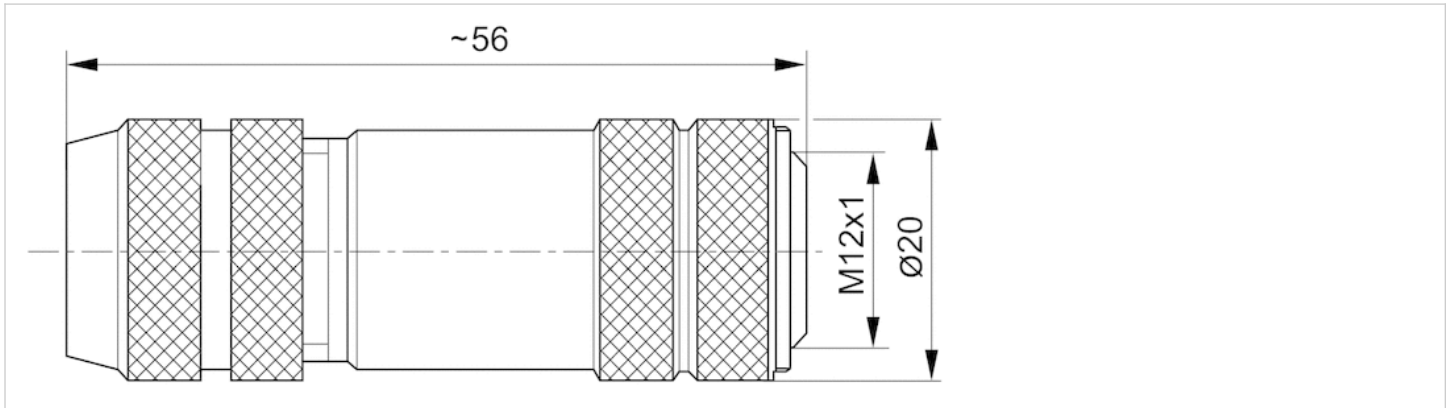
The specified protection class is only valid in assembled and tested state.

## Technical information

Material	
Housing	Brass, nickel-plated

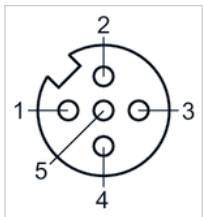
## Dimensions

### Dimensions



## Pin assignments

### Pin assignment, socket

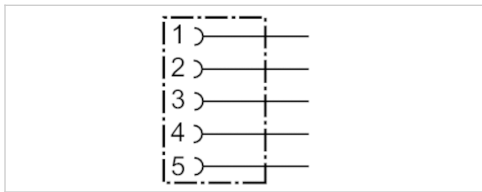


# Round plug connector, Series CON-RD

- Socket, M12x1, 5-pin, B-coded, straight, 180°
- for PROFIBUS DP
- UL (Underwriters Laboratories)
- shielded



Connection type	Screws
Ambient temperature min./max.	-40 ... 85 °C
Operational voltage	48 V AC/DC
Protection class	IP67
Weight	0.06 kg



## Technical data

Part No.	Max. current	suitable cable-Ø min./max
8941054044	4 A	6 / 8 mm

## Technical information

The specified protection class is only valid in assembled and tested state.

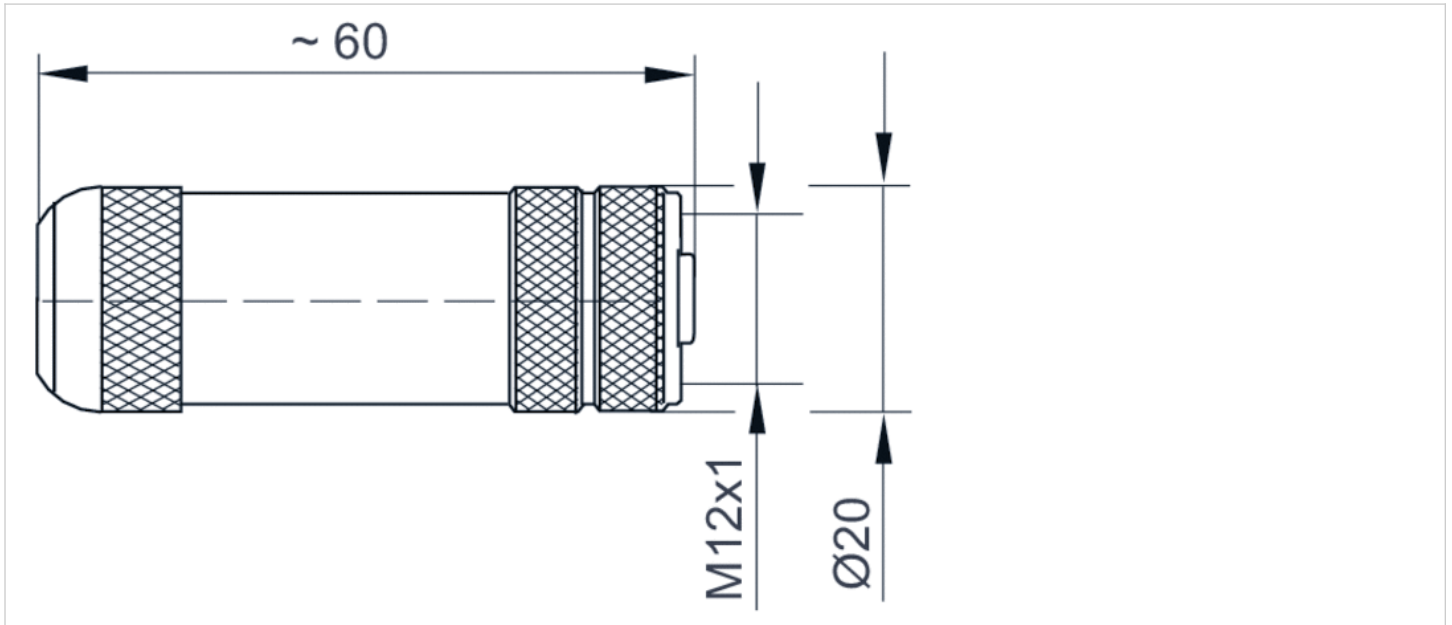
## Technical information

Material	
Housing	Brass, nickel-plated
Seals	Fluorocarbon caoutchouc



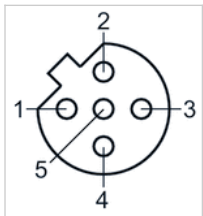
## Dimensions

### Dimensions



## Pin assignments

### Pin assignment, socket

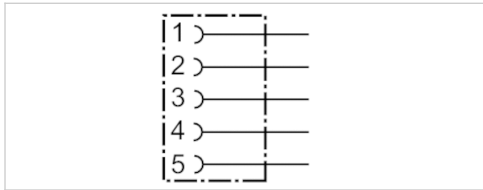


# Round plug connector, Series CON-RD

- Socket, M12x1, 5-pin, A-coded, angled, 90°
- for CANopen
- UL (Underwriters Laboratories)
- shielded



Connection type	Screws
Ambient temperature min./max.	-40 ... 85 °C
Operational voltage	48 V AC/DC
Protection class	IP67
Weight	0.072 kg



## Technical data

Part No.	Max. current	suitable cable-Ø min./max
1824484029	4 A	6 / 8 mm

## Technical information

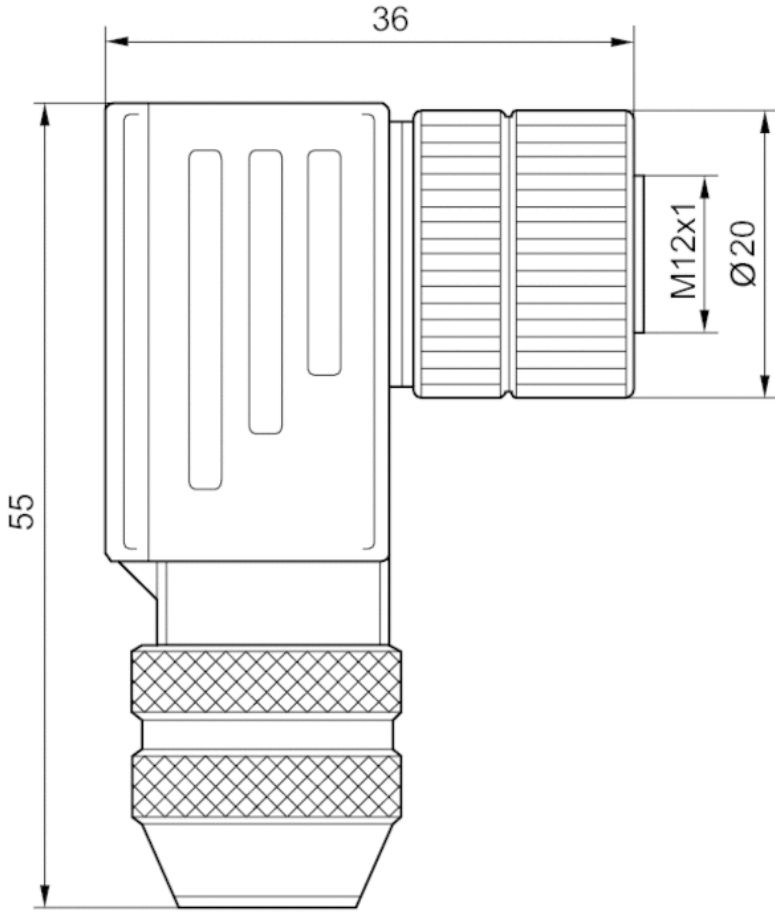
The specified protection class is only valid in assembled and tested state.

## Technical information

Material	
Housing	Die cast zinc

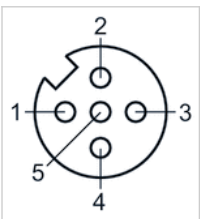
## Dimensions

### Dimensions



## Pin assignments

### Pin assignment, socket

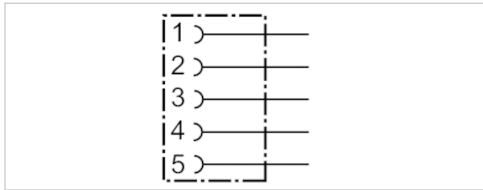


# Round plug connector, Series CON-RD

- Socket, M12x1, 5-pin, B-coded, angled, 90°
- for PROFIBUS DP
- UL (Underwriters Laboratories)
- shielded



Connection type	Screws
Ambient temperature min./max.	-40 ... 85 °C
Operational voltage	48 V AC/DC
Protection class	IP67
Weight	0.071 kg



## Technical data

Part No.	Max. current	suitable cable-Ø min./max
1824484027	4 A	6 / 8 mm

## Technical information

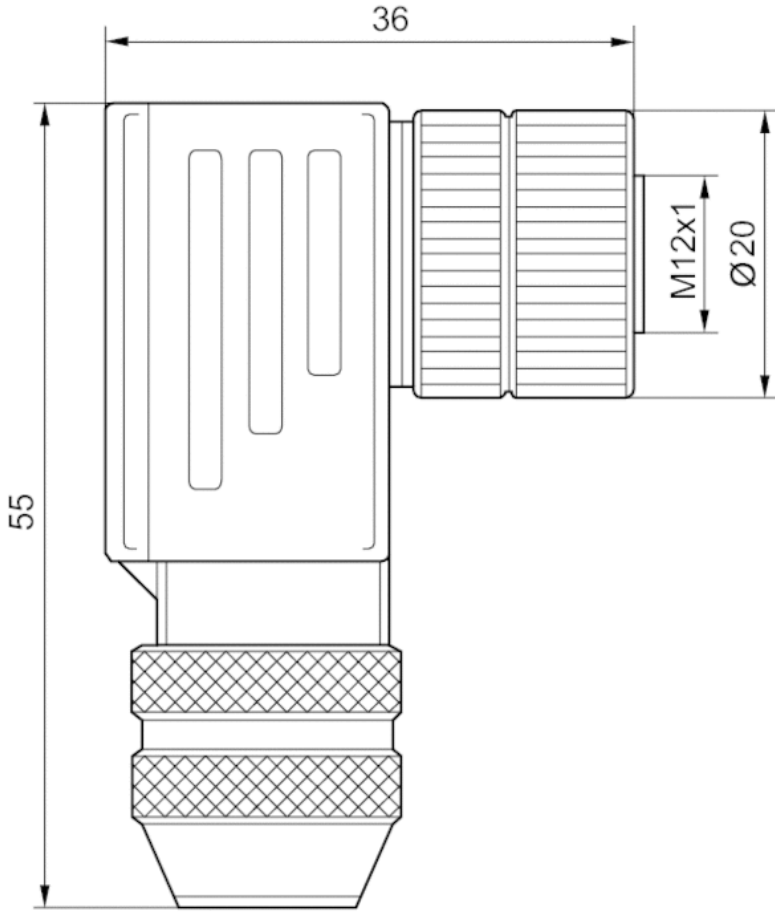
The specified protection class is only valid in assembled and tested state.

## Technical information

Material	
Housing	Die cast zinc

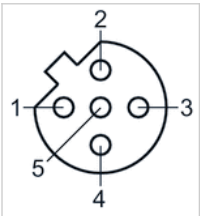
## Dimensions

### Dimensions



## Pin assignments

### Pin assignment, socket



# Round plug connector, Series CON-RD

- Plug, M12x1, 4-pin, A-coded, straight, 180°
- UL (Underwriters Laboratories)
- unshielded



Connection type	Screws
Ambient temperature min./max.	-40 ... 85 °C
Operational voltage	48 V AC/DC
Protection class	IP67
Weight	0.016 kg



## Technical data

Part No.	Max. current	suitable cable-Ø min./max
1834484222	4 A	4 / 6 mm

## Technical information

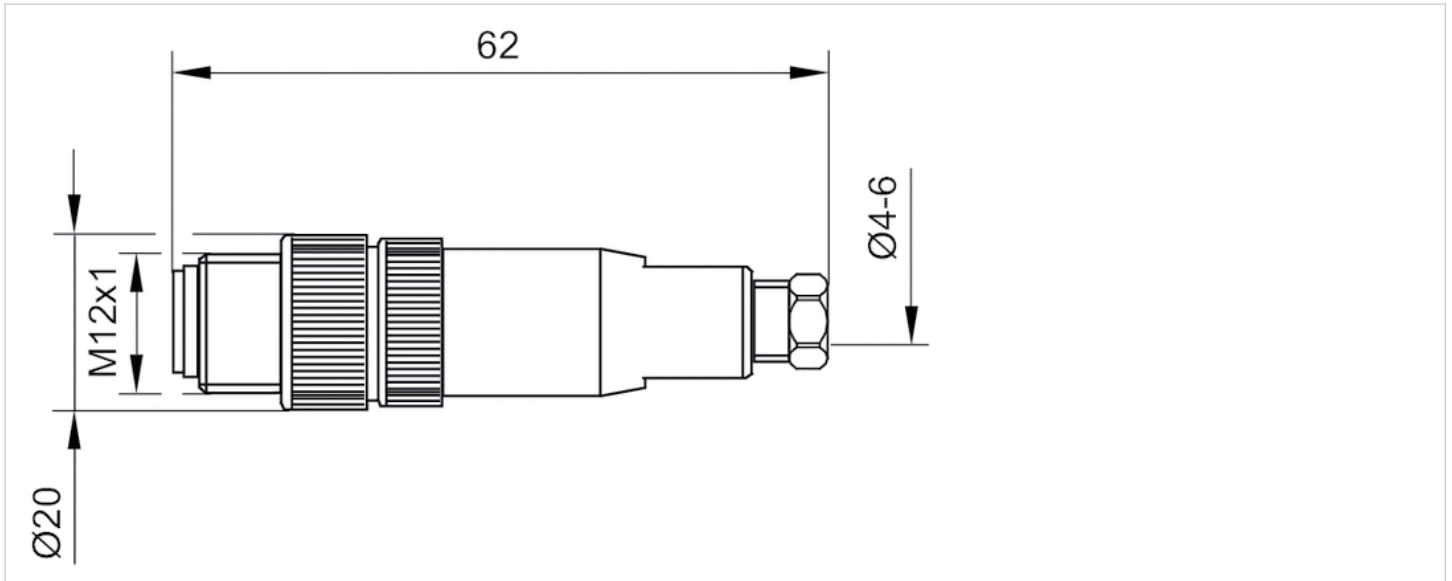
The specified protection class is only valid in assembled and tested state.

## Technical information

Material	
Housing	Polyamide

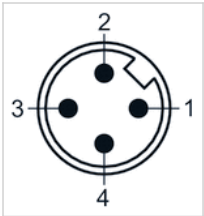
## Dimensions

### Dimensions



## Pin assignments

### Plug pin assignment



# Round plug connector, Series CON-RD

- Plug, M12x1, 4-pin, D-coded, straight, 180°
- for Ethernet, EtherNET/IP, EtherCAT, POWERLINK, sercos III
- shielded



Connection type	Thread cutting
Ambient temperature min./max.	-40 ... 85 °C
Operational voltage	48 V AC/DC
Protection class	IP67
Weight	0.41 kg



## Technical data

Part No.	Max. current	suitable cable-Ø min./max
R419801401	4 A	6 / 8 mm

## Technical information

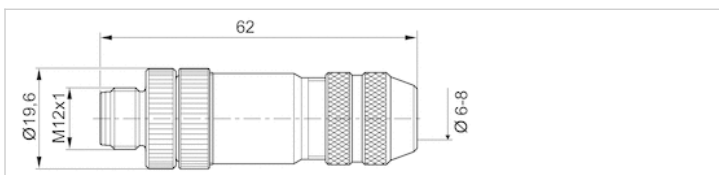
The specified protection class is only valid in assembled and tested state.

## Technical information

Material	
Housing	Brass, nickel-plated

## Dimensions

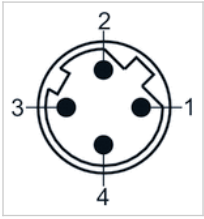
## Dimensions





## Pin assignments

### Plug pin assignment



# Round plug connector, Series CON-RD

- Plug, M12x1, 4-pin, A-coded, angled, 90° Plug, M12x1, 4-pin, A-coded, straight, 180°
- UL (Underwriters Laboratories)
- unshielded



Connection type	Screws
Ambient temperature min./max.	-40 ... 85 °C
Operational voltage	48 V AC/DC
Protection class	IP67
Weight	See table below
	The delivered product may vary from that in the illustration.



## Technical data

Part No.	Electrical connection	Max. current	suitable cable-Ø min./max	Weight
	1			
1834484223	Plug M12x1 4-pin A-coded angled 90°	4 A	4 / 6 mm	0.02 kg
1834484246	Plug M12x1 4-pin A-coded straight 180°	4 A	2.1 / 3 mm	0.024 kg

Part No.	Fig.
1834484223	Fig. 1
1834484246	Fig. 2

For the duo plug, the cable diameter to be used varies between 2.1 ... 3.0 mm and 4.0 ... 5.0 mm depending on the seal used.

## Technical information

The specified protection class is only valid in assembled and tested state.  
 Included: 2 seals for 2 cables each with Ø 2.1 mm ... 3.0 mm and Ø 4.0 mm ... 5.0 mm .

## Technical information

Material	
Housing	Polyamide

## Dimensions

Fig. 1

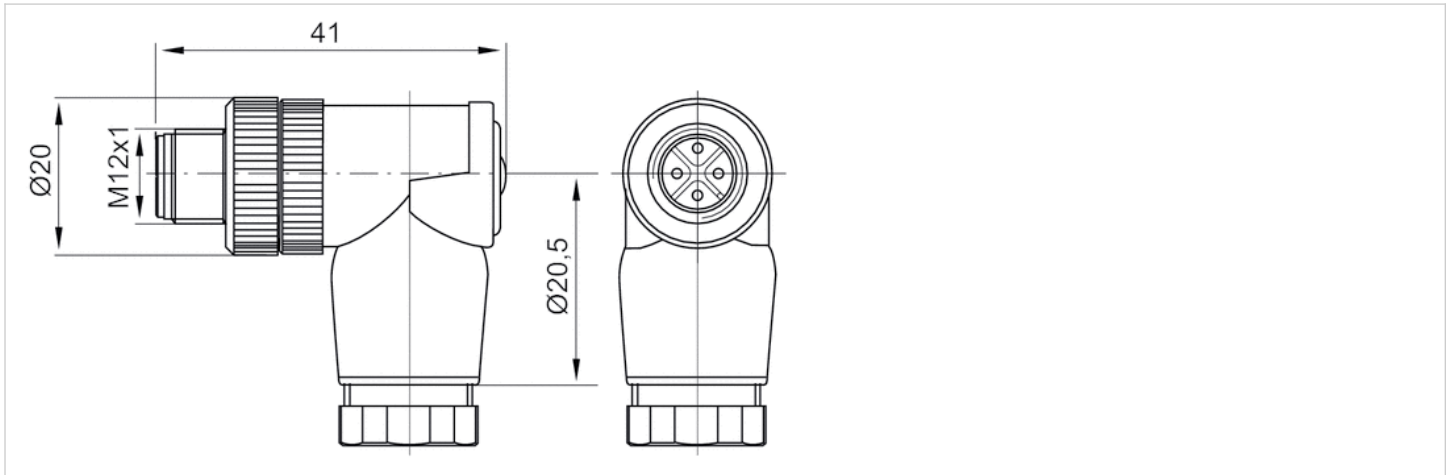
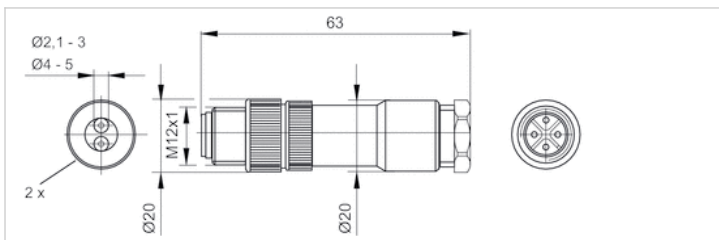


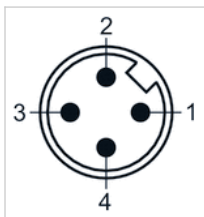
Fig. 2



duo plug

## Pin assignments

### Plug pin assignment

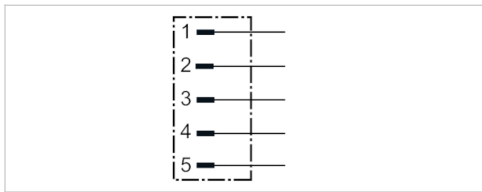


# Round plug connector, Series CON-RD

- Plug, M12x1, 5-pin, A-coded, straight, 180°
- for CANopen, DeviceNet
- UL (Underwriters Laboratories)
- shielded



Connection type	Screws
Ambient temperature min./max.	-40 ... 85 °C
Operational voltage	48 V AC/DC
Protection class	IP67
Weight	0.48 kg



## Technical data

Part No.	Max. current	suitable cable-Ø min./max
8942051612	4 A	6 / 8 mm

## Technical information

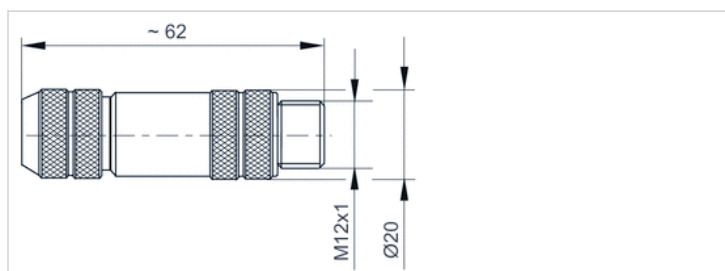
The specified protection class is only valid in assembled and tested state.

## Technical information

Material	
Housing	Brass, nickel-plated

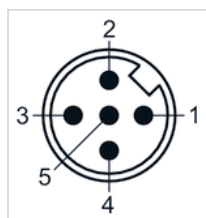
## Dimensions

### Dimensions



## Pin assignments

### Plug pin assignment

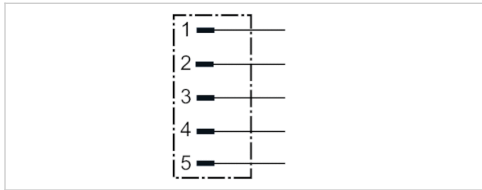


# Round plug connector, Series CON-RD

- Plug, M12x1, 5-pin, B-coded, straight, 180°
- for PROFIBUS DP
- UL (Underwriters Laboratories)
- shielded



Connection type	Screws
Ambient temperature min./max.	-25 ... 85 °C
Operational voltage	48 V AC/DC
Protection class	IP67
Weight	0.06 kg



## Technical data

Part No.	Max. current	suitable cable-Ø min./max
8941054054	4 A	4 / 9 mm

## Technical information

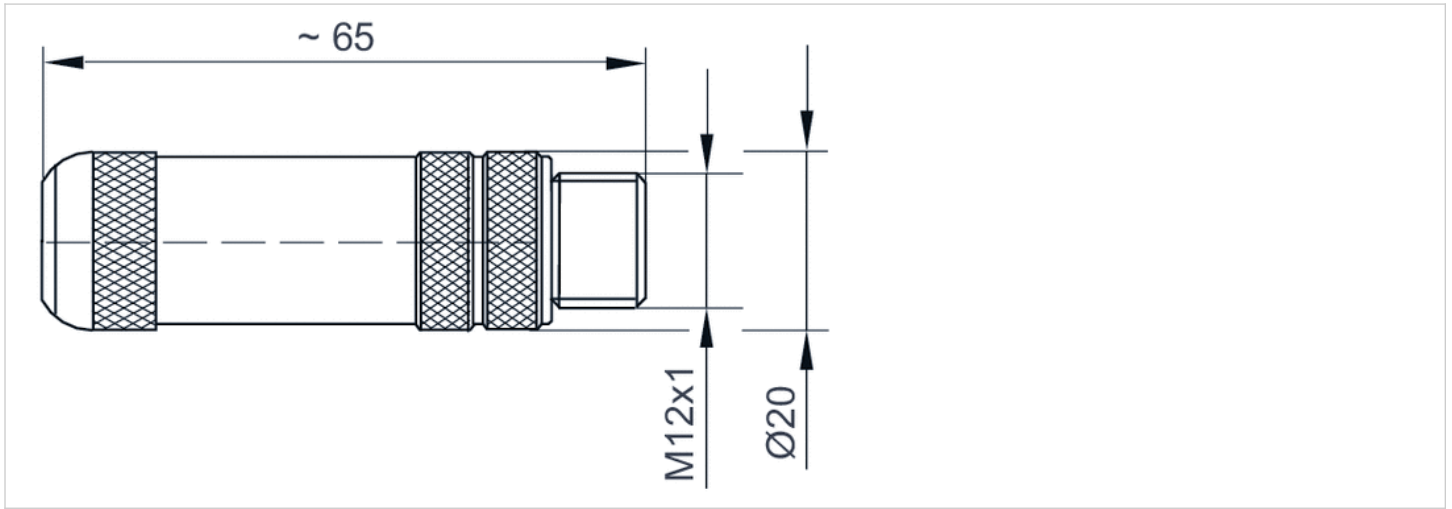
The specified protection class is only valid in assembled and tested state.

## Technical information

Material	
Housing	Brass, nickel-plated
Seals	Fluorocarbon caoutchouc

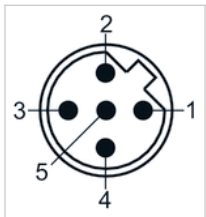
## Dimensions

### Dimensions



## Pin assignments

### Plug pin assignment

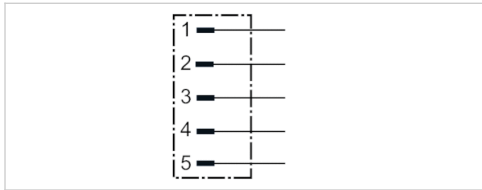


# Round plug connector, Series CON-RD

- Plug, M12x1, 5-pin, A-coded, angled, 90°
- for CANopen
- UL (Underwriters Laboratories)
- shielded



Connection type	Screws
Ambient temperature min./max.	-40 ... 85 °C
Operational voltage	48 V AC/DC
Protection class	IP67
Weight	0.068 kg



## Technical data

Part No.	Max. current	suitable cable-Ø min./max
1824484028	4 A	6 / 8 mm

## Technical information

The specified protection class is only valid in assembled and tested state.

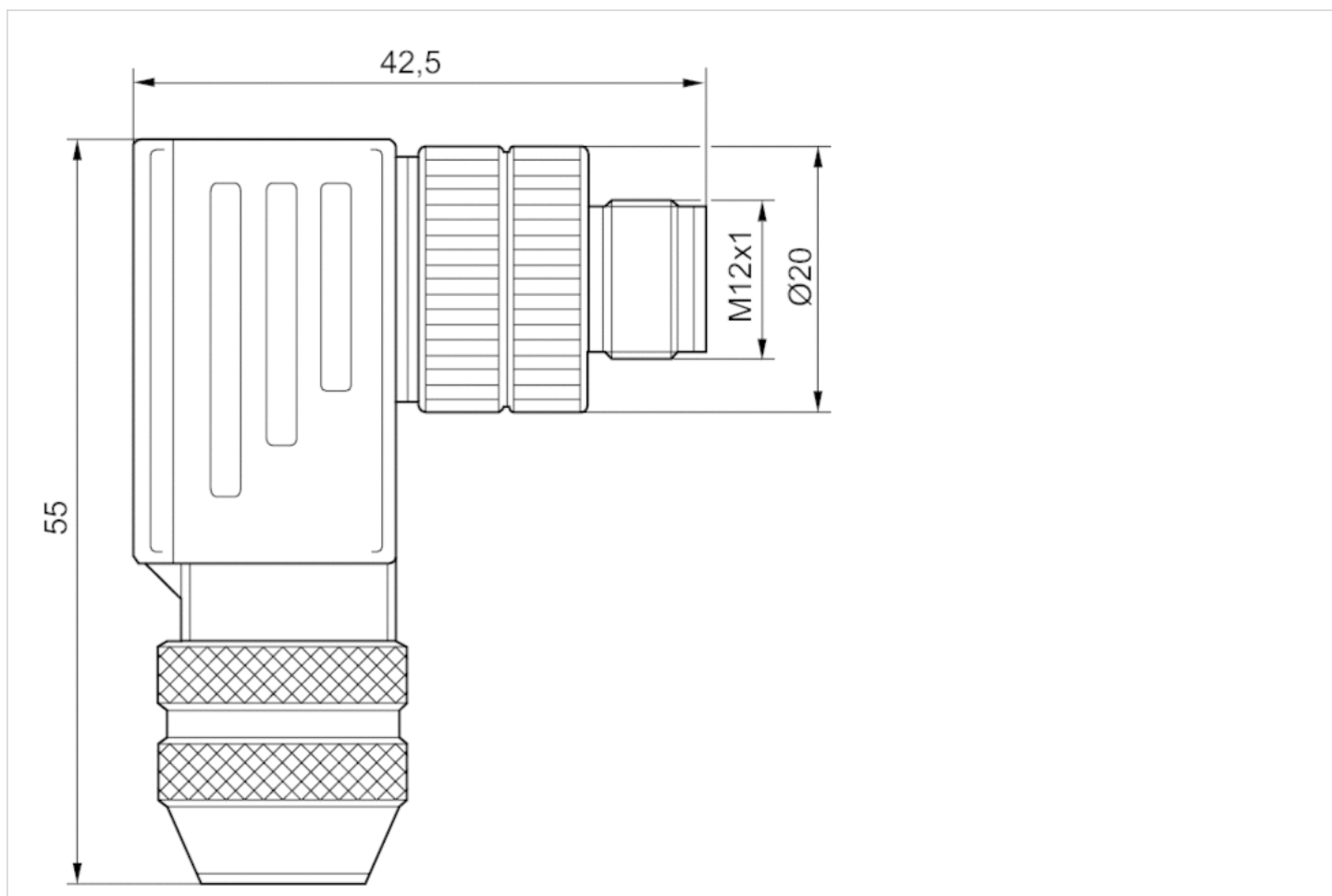
## Technical information

Material	
Housing	Brass, nickel-plated



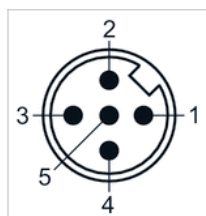
## Dimensions

### Dimensions



## Pin assignments

### Plug pin assignment



# Round plug connector, Series CON-RD

- Plug, M12x1, 5-pin, B-coded, angled, 90°
- for PROFIBUS DP
- shielded



Connection type	Screws
Ambient temperature min./max.	-40 ... 85 °C
Operational voltage	48 V AC/DC
Protection class	IP67
Weight	0.69 kg



## Technical data

Part No.	Max. current	suitable cable-Ø min./max
1824484026	4 A	6 / 8 mm

## Technical information

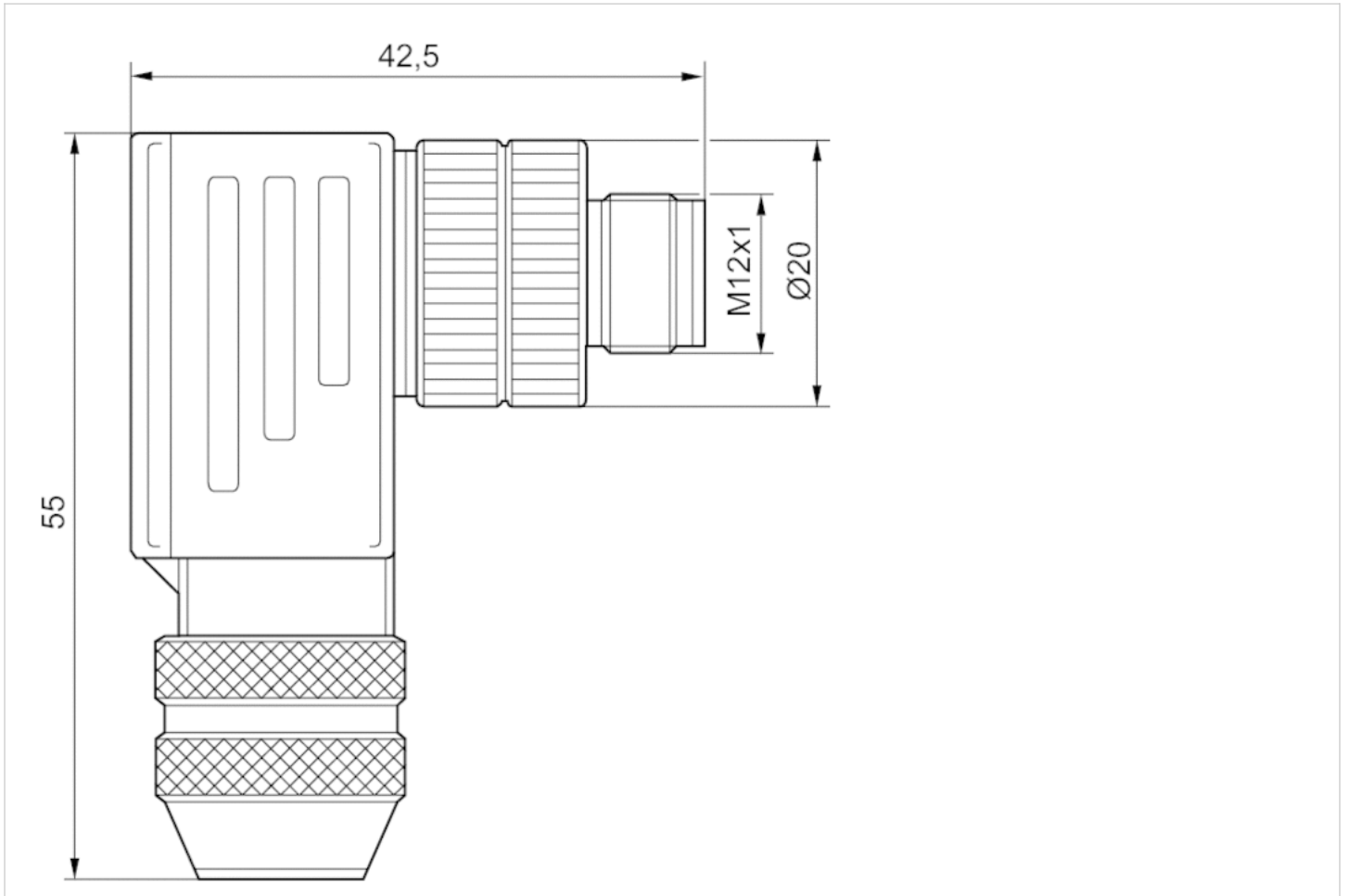
The specified protection class is only valid in assembled and tested state.

## Technical information

Material	
Housing	Die cast zinc

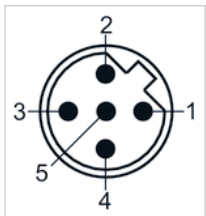
## Dimensions

### Dimensions



## Pin assignments

### Plug pin assignment

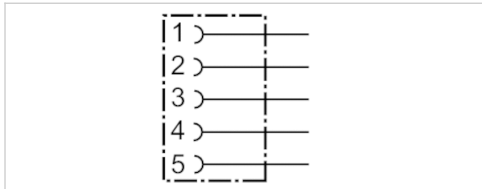


# Round plug connector, Series CON-RD

- Socket, 7/8"-16UNF, 5-pin, straight, 180°
- unshielded



Connection type	Screws
Ambient temperature min./max.	-25 ... 85 °C
Operational voltage	48 V AC/DC
Protection class	IP67
Mounting screw tightening torque	0.8 Nm
Weight	0.054 kg



## Technical data

Part No.	Max. current	suitable cable-Ø min./max
R412024840	9 A	6 / 8 mm

## Technical information

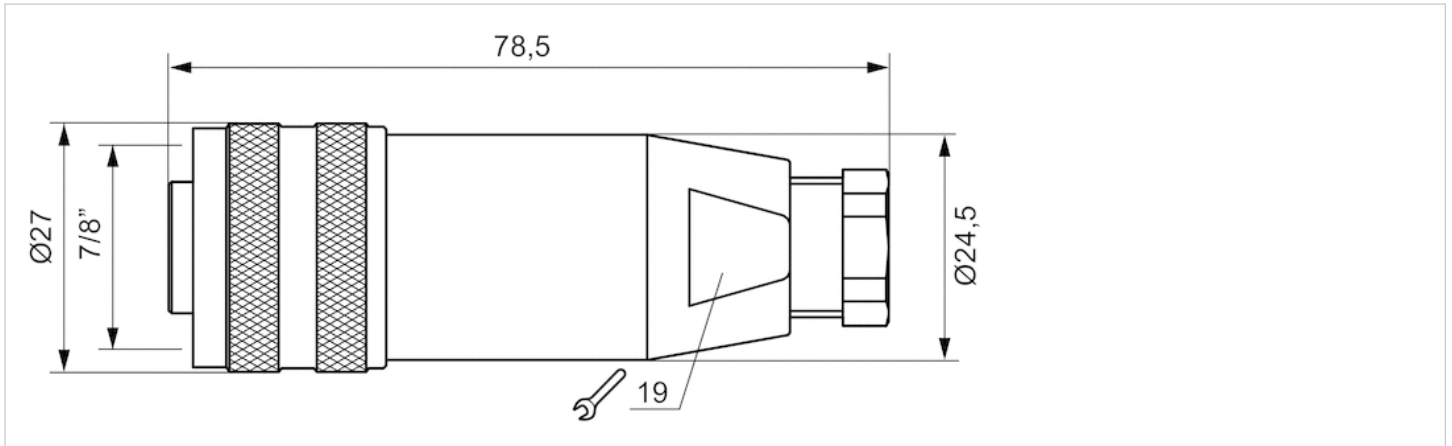
The specified protection class is only valid in assembled and tested state.

## Technical information

Material	
Housing	Polybutyleneterephthalate

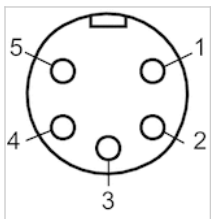
## Dimensions

### Dimensions



## Pin assignments

### Pin assignment

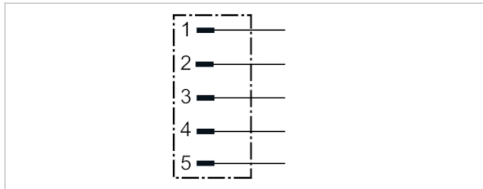


# Round plug connector, Series CON-RD

- Plug, 7/8"-16UNF, 5-pin, straight, 180°
- unshielded



Connection type	Screws
Ambient temperature min./max.	-25 ... 85 °C
Operational voltage	48 V AC/DC
Protection class	IP67
Mounting screw tightening torque	0.8 Nm
Weight	0.047 kg



## Technical data

Part No.	Max. current	suitable cable-Ø min./max
R412024839	9 A	6 / 8 mm

## Technical information

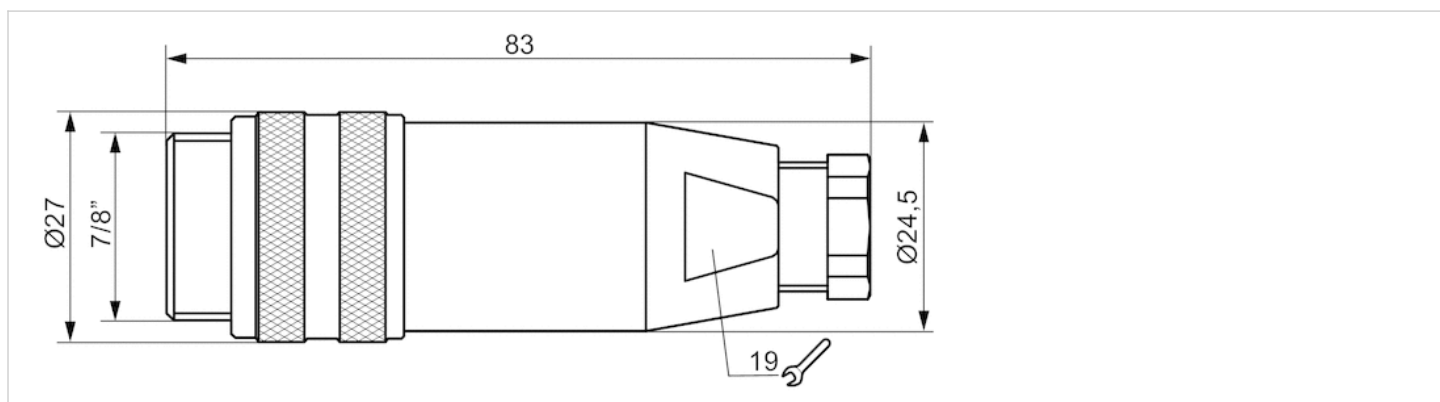
The specified protection class is only valid in assembled and tested state.

## Technical information

Material	
Housing	Polybutyleneterephthalate

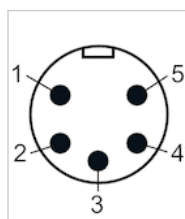
## Dimensions

### Dimensions



## Pin assignments

### Plug pin assignment



# Data final plug, Series CON-RD

- Plug, M12x1, 4-pin, B-coded, straight, 180°
- for PROFIBUS DP



Ambient temperature min./max.	-25 ... 80 °C
Protection class	IP67
Weight	0.013 kg



## Technical data

Part No.
8941054064

## Technical information

The specified protection class is only valid in assembled and tested state.  
 PROFIBUS DP bus termination plug

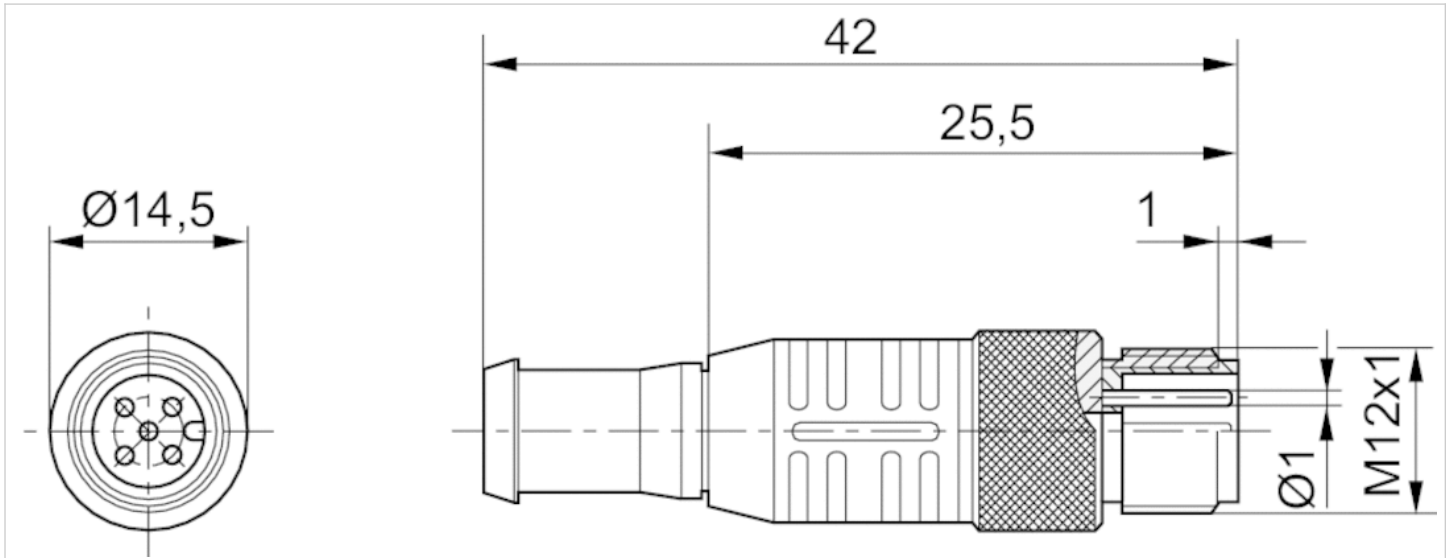
## Technical information

Material	
Housing	Thermoplastic elastomer



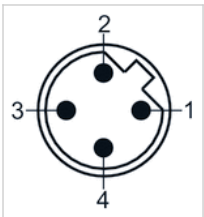
## Dimensions

### Dimensions



## Pin assignments

### Plug pin assignment



# Data final plug, Series CON-RD

- Plug, M12x1, 5-pin, A-coded, straight, 180°
- for CANopen, DeviceNet



Ambient temperature min./max.	0 ... 60 °C
Protection class	IP67
Weight	0.011 kg



## Technical data

Part No.
8941054264

## Technical information

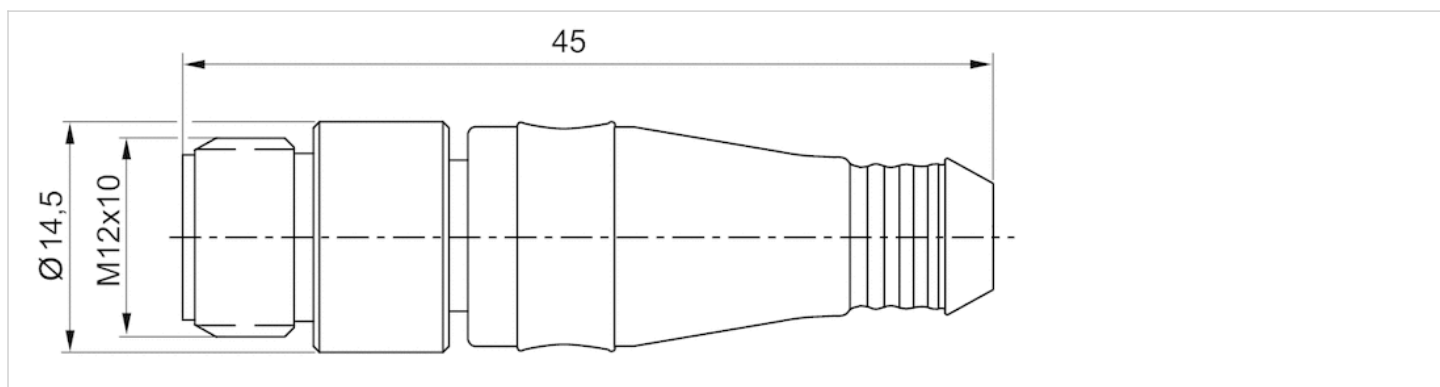
The specified protection class is only valid in assembled and tested state.

## Technical information

Material	
Housing	Thermoplastic elastomer

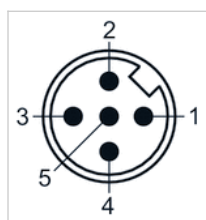
## Dimensions

### Dimensions



## Pin assignments

### Plug pin assignment

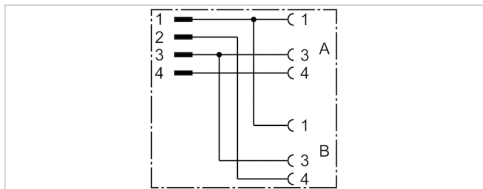


# Y-Plug connector, series CON-AP

- Plug, M12x1, 4-pin, A-coded, straight, 180°
- Socket, M8x1, 3-pin, A-coded, straight, 180°
- unshielded



Ambient temperature min./max.	-25 ... 90 °C
Operational voltage	48 V AC/DC
Protection class	IP67
Weight	0.02 kg
	The delivered product may vary from that in the illustration.



## Technical data

Part No.	Max. current
8941002382	4 A

## Technical information

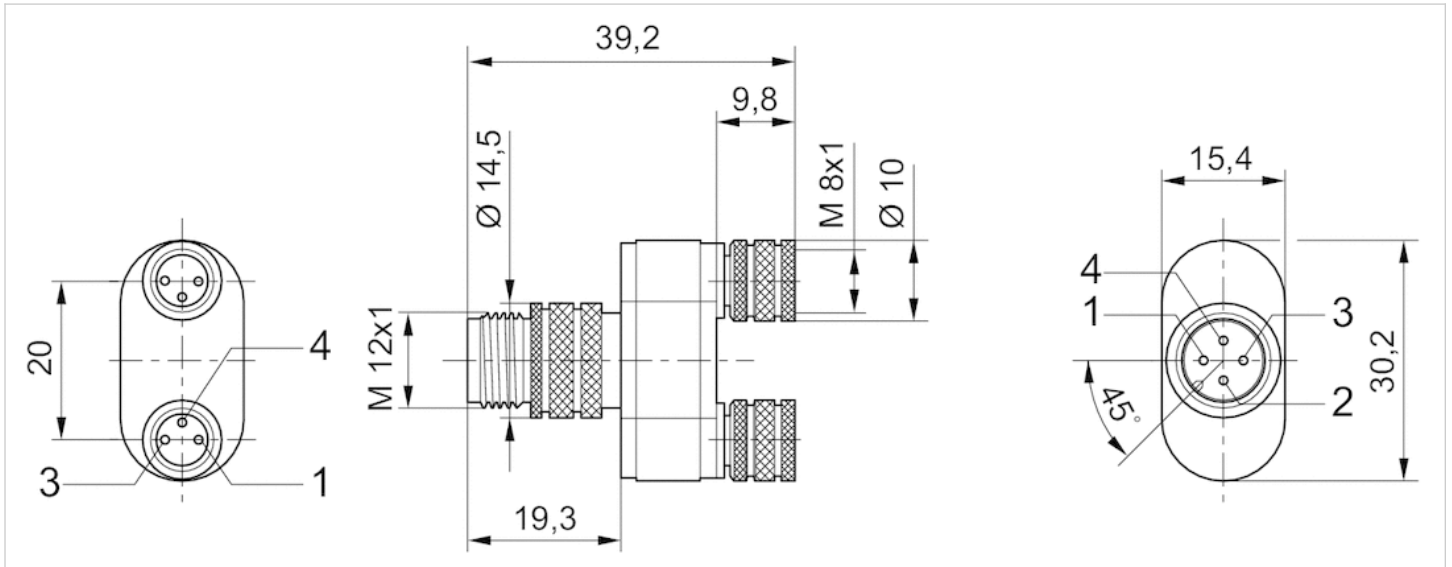
The specified protection class is only valid in assembled and tested state.

## Technical information

Material	
Housing	Polyurethane
Seals	Fluorocaoutchouc

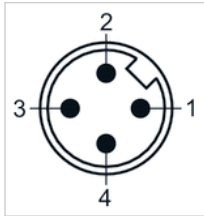
## Dimensions

### Dimensions

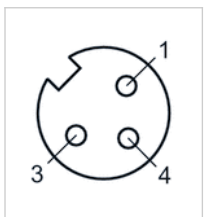


## Pin assignments

### Plug pin assignment



### Pin assignment, socket

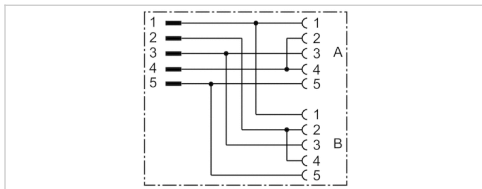


# Y-Plug connector, series CON-AP

- Plug, M12x1, 5-pin, A-coded, straight, 180°
- Socket, M12x1, 5-pin, A-coded, straight, 180°
- unshielded



Ambient temperature min./max.	-25 ... 90 °C
Operational voltage	48 V AC/DC
Protection class	IP67
Weight	0.029 kg
	The delivered product may vary from that in the illustration.



## Technical data

Part No.	Max. current
8941002392	4 A

## Technical information

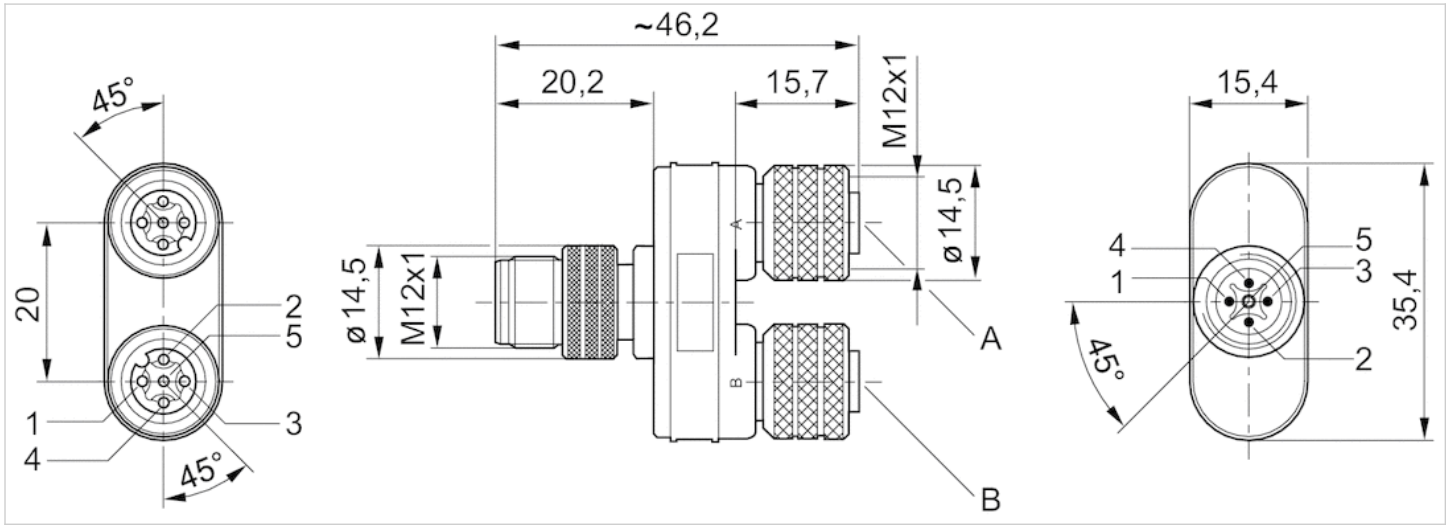
The specified protection class is only valid in assembled and tested state.

## Technical information

Material	
Housing	Polyurethane
Seals	Fluorocaoutchouc

## Dimensions

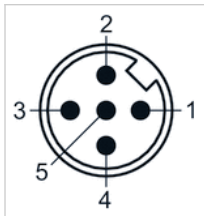
### Dimensions



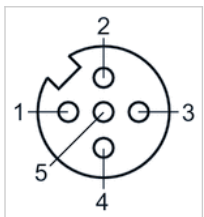
Sockets: Pin 2 and 4 bridged.

## Pin assignments

### Plug pin assignment



### Pin assignment, socket

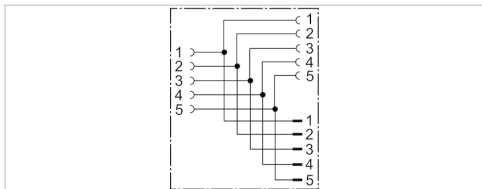


# Y-connector, Series CN2

- Plug, M12x1, 5-pin, A-coded, straight, 180°
- Socket, M12x1, 5-pin, A-coded, straight, 180°
- shielded



Ambient temperature min./max.	-25 ... 85 °C
Operational voltage	48 V AC/DC
Protection class	IP65
Weight	0.035 kg



## Technical data

Part No.	Max. current
R419800162	4 A

## Technical information

The specified protection class is only valid in assembled and tested state.

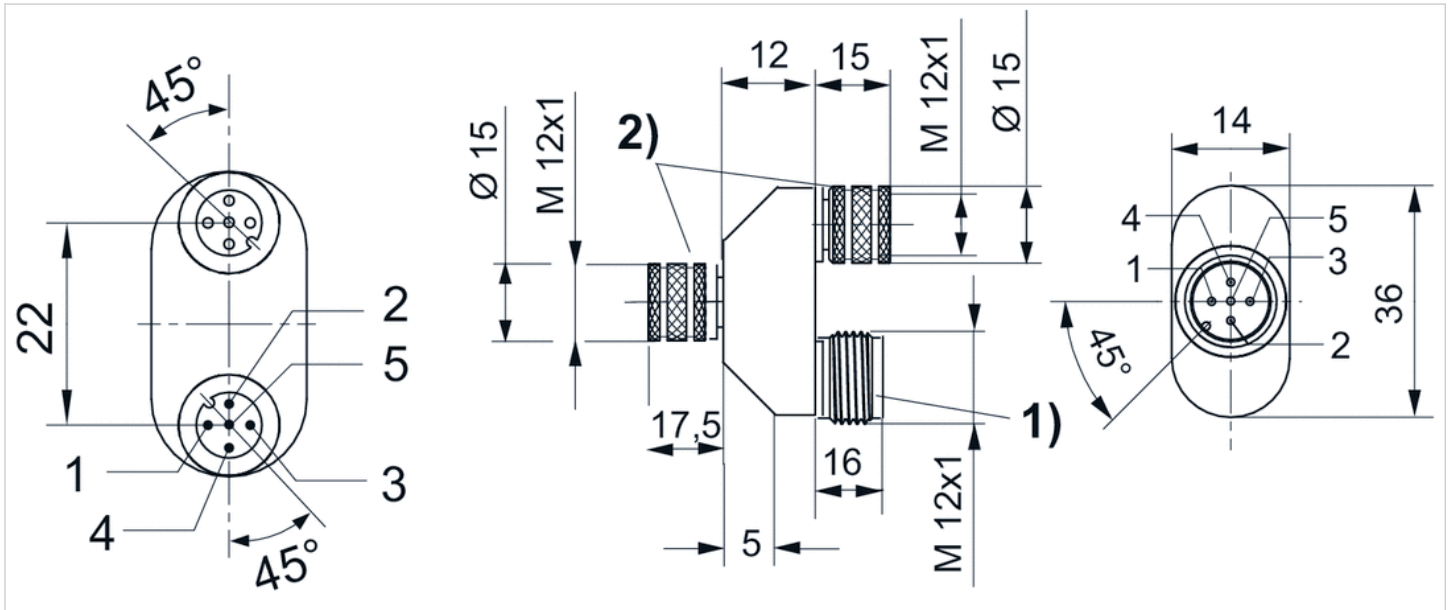
## Technical information

Material	
Housing	Polyurethane
Seals	Fluorocaoutchouc



## Dimensions

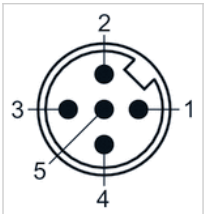
### Dimensions



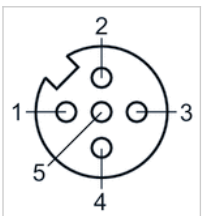
- 1) Plug
- 2) Socket

## Pin assignments

### Plug pin assignment



### Pin assignment, socket

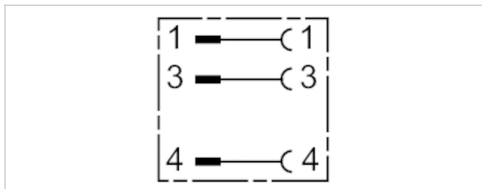


# Adapter, Series CON-AP

- Socket, M12x1, 3-pin, A-coded, straight, 180°
- Plug, M8x1, 3-pin, A-coded, straight, 180°
- unshielded



Ambient temperature min./max.	-25 ... 85 °C
Operational voltage	48 V AC/DC
Protection class	IP67
Weight	0.013 kg



## Technical data

Part No.	Max. current	Contact assignment
R412021684	4 A	3

## Technical information

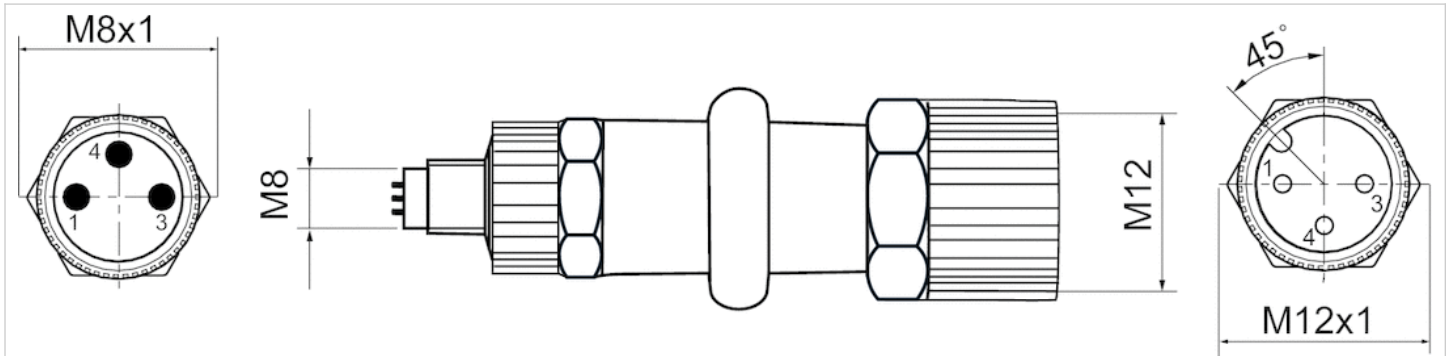
The specified protection class is only valid in assembled and tested state.

## Technical information

Material	
Housing	Polyurethane

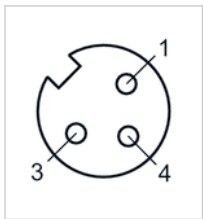
## Dimensions

### Dimensions

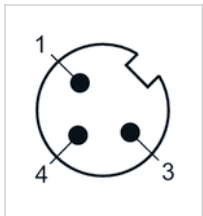


## Pin assignments

### Pin assignment, socket



### Plug pin assignment



# Protective cap

- for series CL03



Protection class

IP69K

Weight

0.005 kg

The delivered product may vary from that in the illustration.

## Technical data

Part No.	Type	Delivery unit
R419801626	M12x1	1 piece

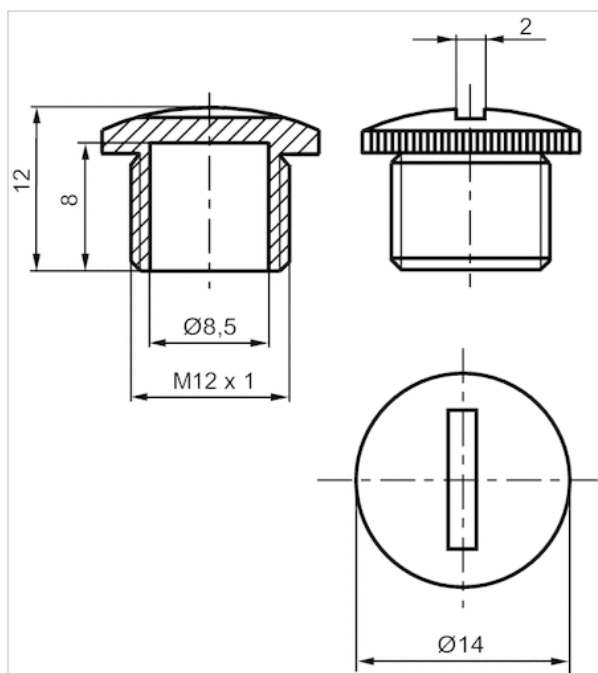
protective cap for manual override (10 pieces), 0.25 m connection cable, form C

## Technical information

Material	
Housing	Stainless steel

## Dimensions

### Dimensions



# Sealing cap

- For unused M12 plugs



Ambient temperature min./max.

-40 ... 85 °C

Protection class

IP65

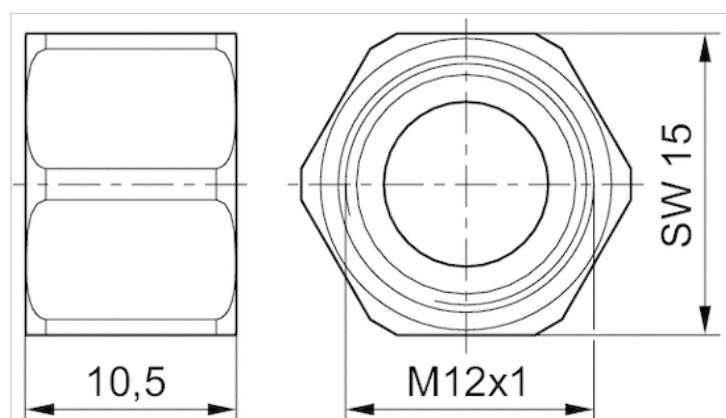
## Technical data

Part No.	Type	Delivery unit
R412024837	M12x1	1 piece

## Technical information

Material	
Housing	Brass

## Dimensions



# Sealing cap

- For 7/8" sockets



Ambient temperature min./max.	-25 ... 85 °C
Protection class	IP65
Weight	0.011 kg

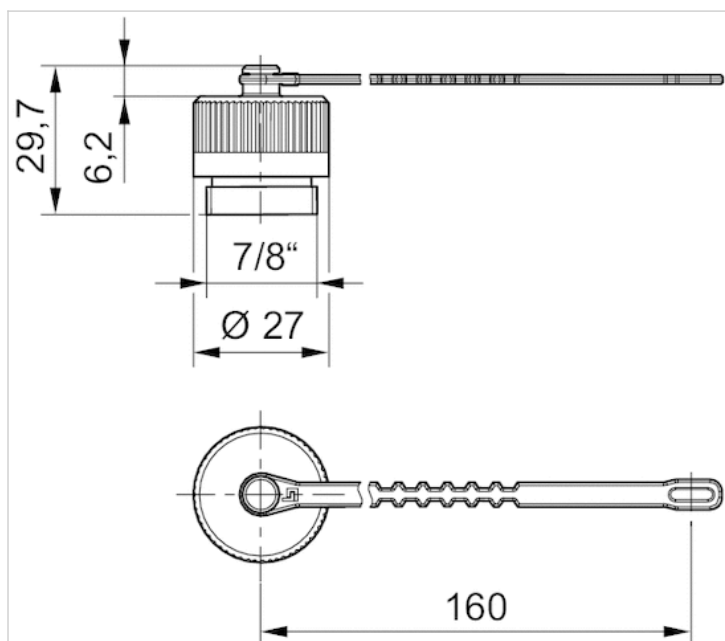
## Technical data

Part No.	Type	Delivery unit
R412024838	7/8"-16UNF	1 piece

## Technical information

Material	
Housing	Polyamide
Seal	Acrylonitrile butadiene rubber

## Dimensions





# Protective cap, series CON-RD

- M8x1



Ambient temperature min./max.	-40 ... 85 °C
Protection class	IP67
Weight	0.001 kg

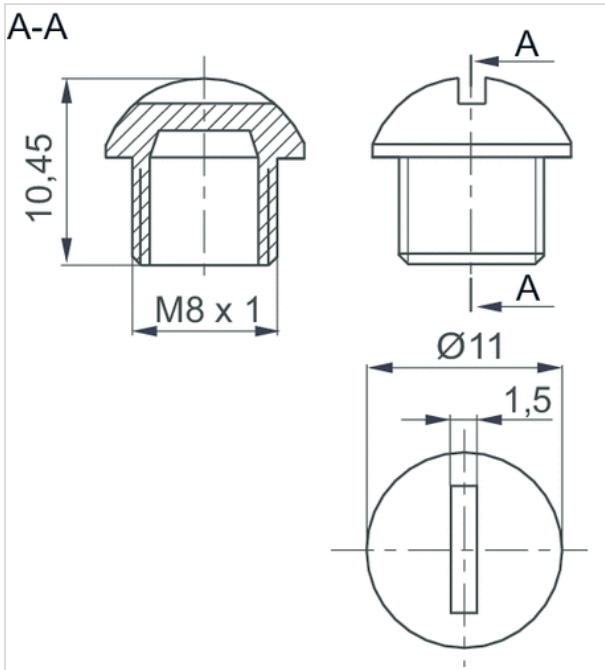
## Technical data

Part No.	Type	Scope of delivery
R412003493	M8x1	25

## Technical information

Material	
Housing	Polyamide

# Dimensions



# Protective cap, series CON-RD

- M12x1



Ambient temperature min./max.	-40 ... 85 °C
Protection class	IP67
Weight	0.001 kg

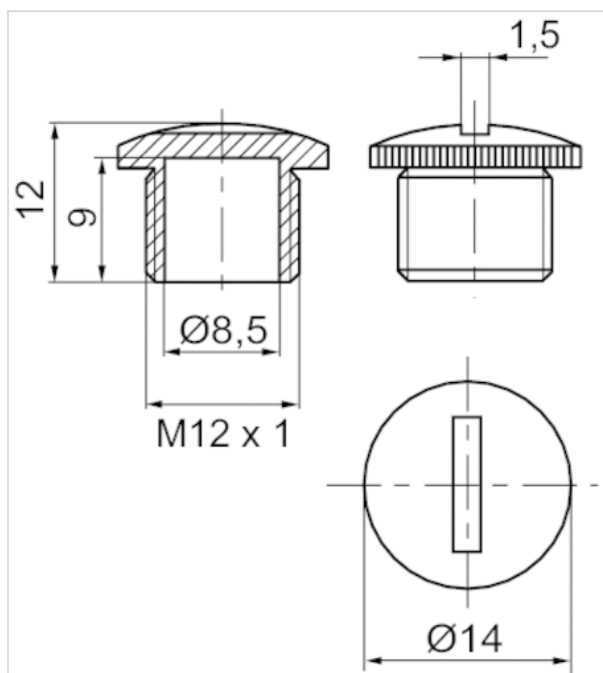
## Technical data

Part No.	Type	Delivery unit
1823312001	M12x1	50 piece

## Technical information

Material	
Housing	Polyamide

## Dimensions



# Efficient pneumatic solutions, our program: cylinders and drives, valves and valve systems, air supply management



Visit us: [Emerson.com/Aventics](http://Emerson.com/Aventics)

Your local contact: [Emerson.com/contactus](http://Emerson.com/contactus)



[Emerson.com](http://Emerson.com)



[Facebook.com/EmersonAutomationSolutions](https://Facebook.com/EmersonAutomationSolutions)



[LinkedIn.com/company/Emerson-Automation-Solutions](https://LinkedIn.com/company/Emerson-Automation-Solutions)



[Twitter.com/EMR\\_Automation](https://Twitter.com/EMR_Automation)

An example configuration is depicted on the title page. The delivered product may thus vary from that in the illustration. Subject to change. This Document, as well as the data, specifications and other information set forth in it, are the exclusive property of AVENTICS GmbH. It may not be reproduced or given to third parties without its consent. Only use the AVENTICS products shown in industrial applications. Read the product documentation completely and carefully before using the product. Observe the applicable regulations and laws of the respective country. When integrating the product into applications, note the system manufacturer's specifications for safe use of the product. The data specified only serve to describe the product. No statements concerning a certain condition or suitability for a certain application can be derived from our information. The information given does not release the user from the obligation of own judgment and verification. It must be remembered that the products are subject to a natural process of wear and aging.

The Emerson logo is a trademark and service mark of Emerson Electric Co. Brand logotype are registered trademarks of one of the Emerson family of companies. All other marks are the property of their respective owners. © 2017 Emerson Electric Co. All rights reserved.  
2019-03



## CONSIDER IT SOLVED™



青岛秉诚自动化设备有限公司  
地址：中国·青岛市重庆南路99号海尔云街甲3号楼7F

服务热线：4006-918-365  
网址：<http://www.asco.store>

传真：(86-532)585-10-365  
Email：[sales@bechinas.com](mailto:sales@bechinas.com)