



青岛秉诚自动化设备有限公司
地址：中国·青岛市重庆南路99号海尔云街甲3号楼7F

服务热线：4006-918-365
网址：<http://www.asco.store>

传真：(86-532)585-10-365
Email：sales@bechinas.com

Round plug connectors with cable, Series CON-RD

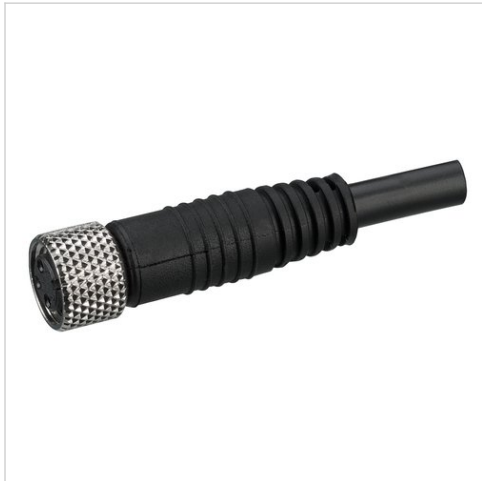


AVENTICS™ Round plug connectors with cable, Series

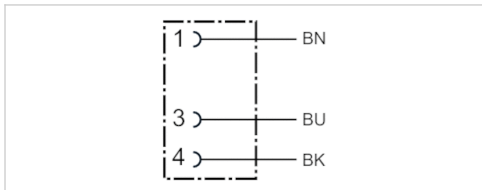


Round plug connector, Series CON-RD

- Socket M8x1 3-pin A-coded straight 180°
- open cable ends
- with cable
- UL (Underwriters Laboratories)
- unshielded



Ambient temperature min./max.	-25 ... 85 °C
Operational voltage	48 V AC/DC
Protection class	IP67
Wire cross-section	0.24 mm ²
Weight	See table below



Technical data

Part No.	Max. current	Number of wires	Cable-Ø	Cable length	Certification	Weight
1834484166	4 A	3	4.5 mm	3 m	UL (Underwriters Laboratories)	0.087 kg
1834484168	4 A	3	4.5 mm	5 m	UL (Underwriters Laboratories)	0.141 kg
1834484247	4 A	3	4.5 mm	10 m	UL (Underwriters Laboratories)	0.277 kg

Technical information

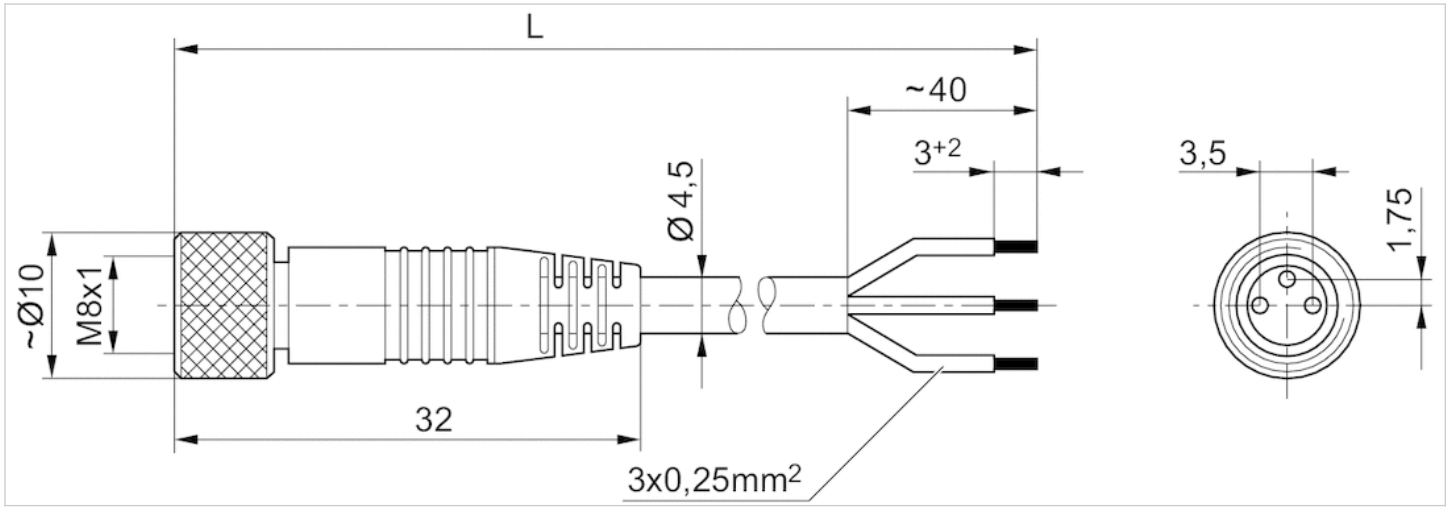
The specified protection class is only valid in assembled and tested state.

Technical information

Material	
Housing	Polyurethane
Cable sheath	Polyurethane

Dimensions

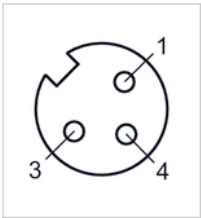
Dimensions



L = length

Pin assignments

Pin assignment, socket



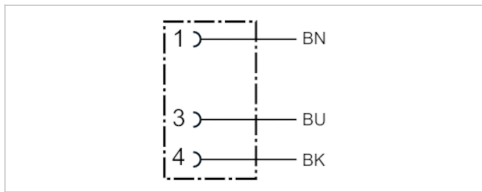
- (1) BN=brown
- (3) BU=blue
- (4) BK=black

Round plug connector, Series CON-RD

- Socket M8x1 3-pin A-coded straight 180°
- open cable ends
- with cable
- unshielded



Operational voltage	30 / 36 V AC/DC
Protection class	IP67
Wire cross-section	0.34 mm ²
Weight	See table below



Technical data

Part No.	Max. current	Number of wires	Cable-Ø	Cable length	Weight
8946201312	2.5 A	3	3.5 mm	2 m	0.066 kg
8946201332	2.5 A	3	3.5 mm	15 m	0.466 kg

Technical information

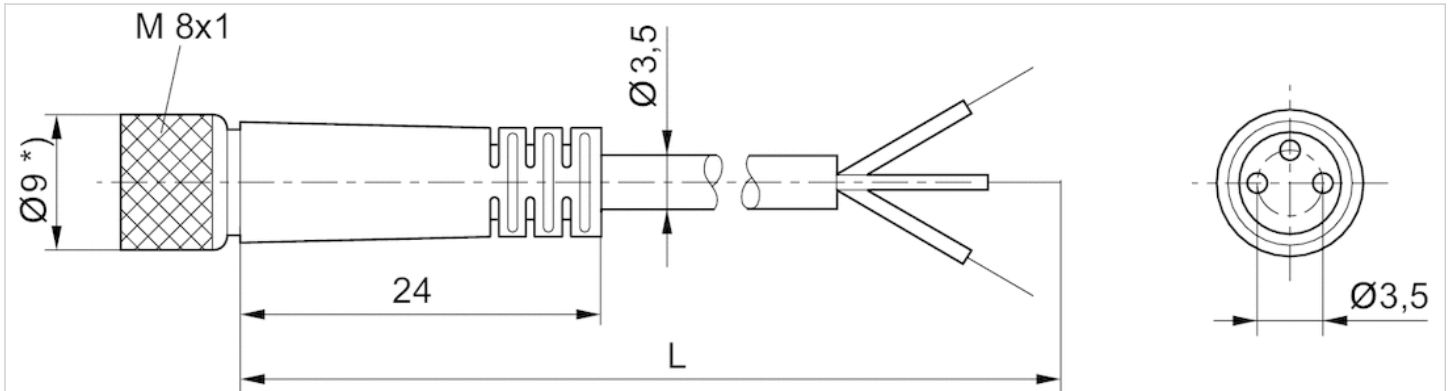
The specified protection class is only valid in assembled and tested state.

Technical information

Material	
Cable sheath	Polyvinyl chloride

Dimensions

Dimensions

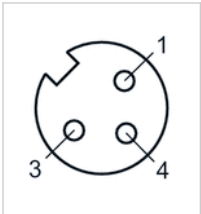


L = length

*) With 15 m cable length $\text{Ø}12$

Pin assignments

Pin assignment, socket



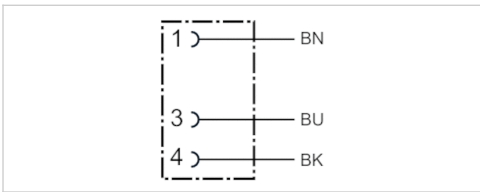
- (1) BN=brown
- (3) BU=blue
- (4) BK=black

Round plug connector, Series CON-RD

- Socket M8x1 3-pin A-coded angled 90°
- open cable ends
- with cable
- unshielded



Ambient temperature min./max.	-40 ... 85 °C
Operational voltage	48 V AC/DC
Protection class	IP67
Wire cross-section	0.24 mm ²
Weight	See table below



Technical data

Part No.	Max. current	Number of wires	Cable-Ø	Cable length	Weight
1834484167	4 A	3	4.5 mm	3 m	0.087 kg
1834484169	4 A	3	4.5 mm	5 m	0.139 kg
1834484248	4 A	3	4.5 mm	10 m	0.279 kg

Technical information

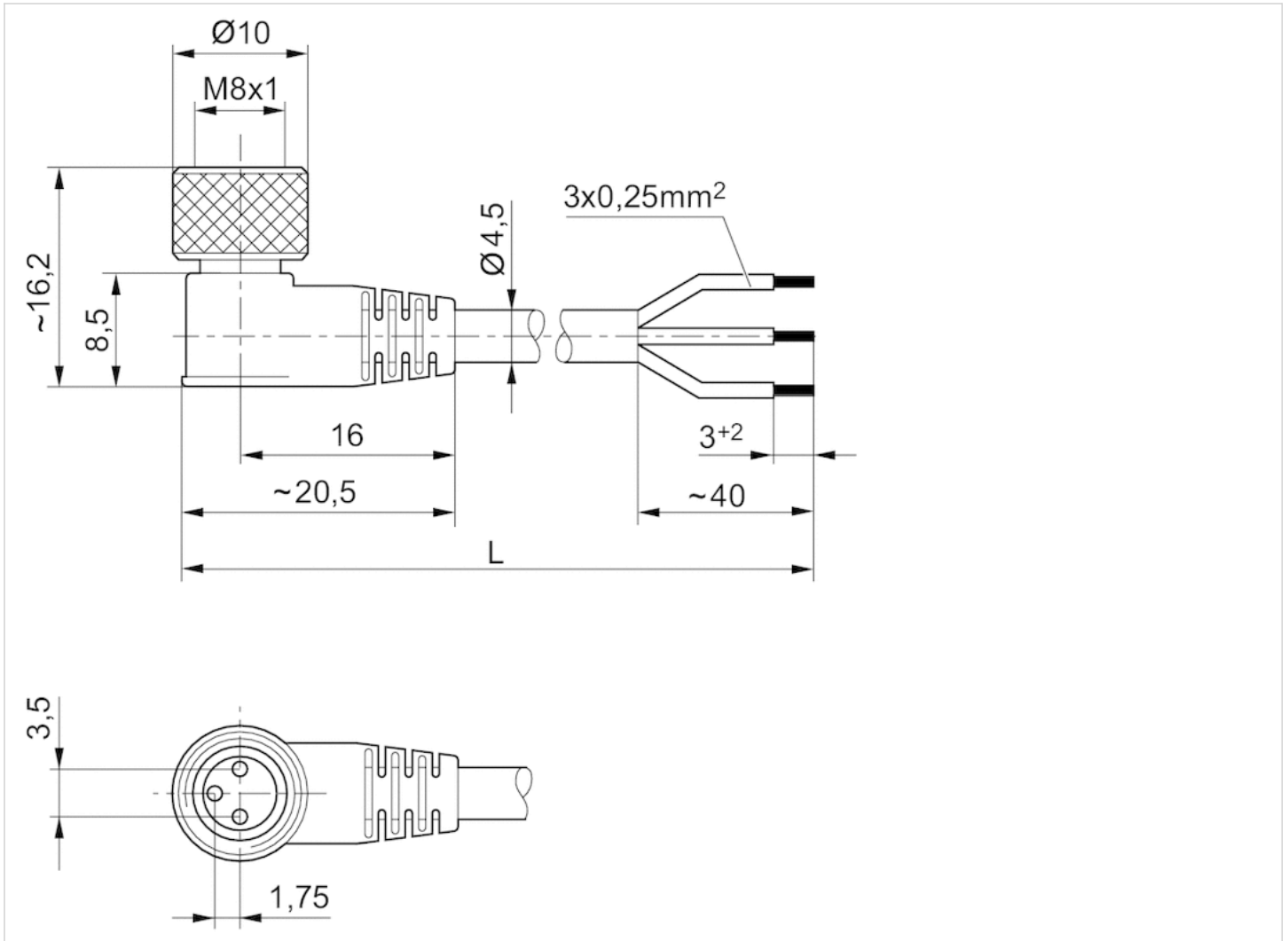
The specified protection class is only valid in assembled and tested state.

Technical information

Material	
Housing	Polyurethane
Cable sheath	Polyurethane

Dimensions

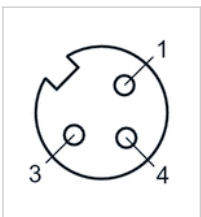
Dimensions



L = length

Pin assignments

Pin assignment, socket



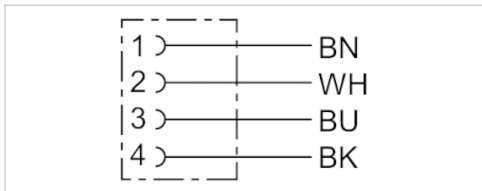
- (1) BN=brown
- (3) BU=blue
- (4) BK=black

Round plug connector, Series CON-RD

- Socket M8x1 4-pin A-coded straight 180°
- open cable ends
- with cable
- UL (Underwriters Laboratories)
- unshielded



Ambient temperature min./max.	-40 ... 85 °C
Operational voltage	48 V AC/DC
Protection class	IP67
Wire cross-section	0.25 mm ²
Weight	See table below



Technical data

Part No.	Max. current	Number of wires	Cable-Ø	Cable length	Certification	Weight
1834484144	4 A	4	4.5 mm	3 m	UL (Underwriters Laboratories)	0.087 kg
1834484146	4 A	4	4.5 mm	5 m	UL (Underwriters Laboratories)	0.14 kg

Technical information

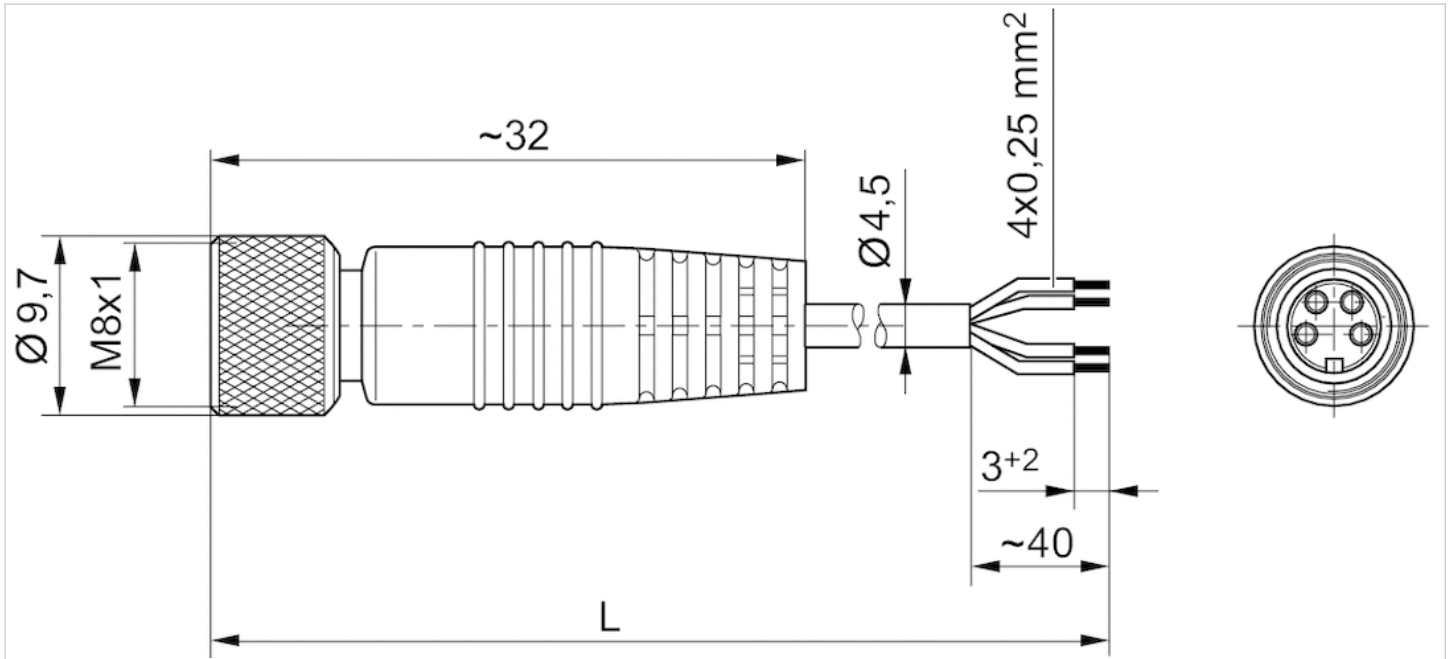
The specified protection class is only valid in assembled and tested state.

Technical information

Material	
Housing	Polyurethane
Cable sheath	Polyurethane

Dimensions

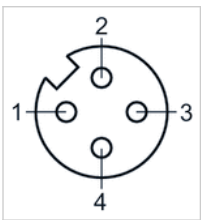
Dimensions



L = length

Pin assignments

Pin assignment, socket



- (1) BN=brown
- (2) WH=white
- (3) BU=blue
- (4) BK=black

Round plug connector, Series CON-RD

- Plug M8x1 4-pin A-coded straight 180°
- open cable ends
- with cable
- suitable for dynamic laying
- unshielded



Ambient temperature min./max.	-25 ... 85 °C
Operational voltage	30 V AC/DC
Protection class	IP67
Wire cross-section	0.25 mm ²
Mounting screw tightening torque	0.6 Nm
Weight	0.285 kg



Technical data

Part No.	Max. current	Number of wires	Bending radius min.	Cable-Ø	Cable length	Delivery unit
R412023860	4 A	4	44 mm	4.4 mm	10 m	1 piece

suitable for dynamic laying

Technical information

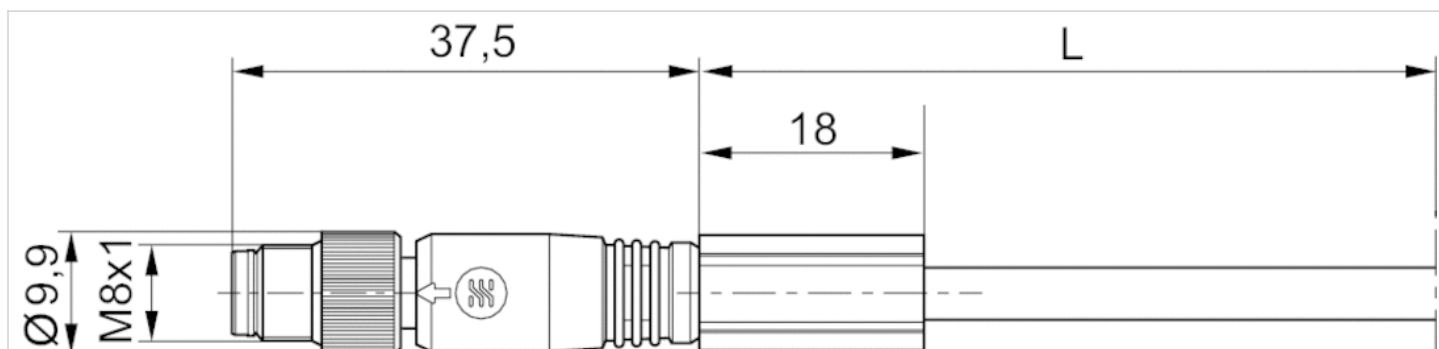
The specified protection class is only valid in assembled and tested state.

Technical information

Material	
Housing	Polyurethane
Cable sheath	Polyurethane

Dimensions

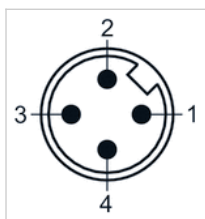
Dimensions



L = length

Pin assignments

Plug pin assignment



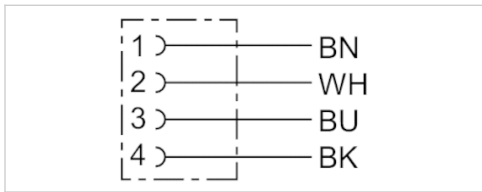
- (1) BN=brown
- (2) WH=white
- (3) BU=blue
- (4) BK=black

Round plug connector, Series CON-RD

- Socket M8x1 4-pin A-coded angled 90°
- open cable ends
- with cable
- unshielded



Ambient temperature min./max.	-25 ... 85 °C
Operational voltage	48 V AC/DC
Protection class	IP67
Wire cross-section	0.25 mm ²
Weight	See table below



Technical data

Part No.	Max. current	Number of wires	Cable-Ø	Cable length	Weight
1834484145	4 A	4	4.5 mm	3 m	0.086 kg
1834484147	4 A	4	4.5 mm	5 m	0.141 kg

Technical information

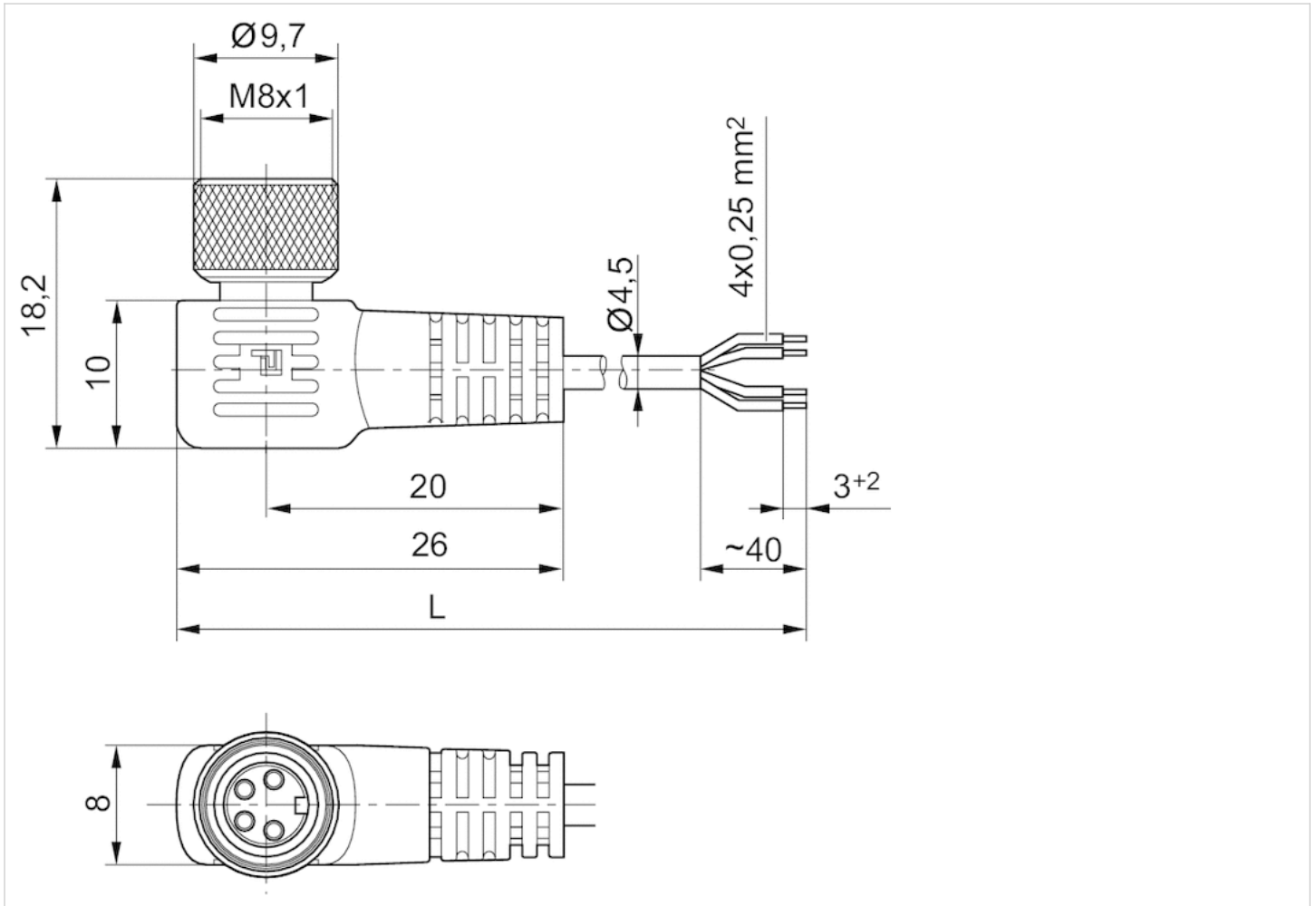
The specified protection class is only valid in assembled and tested state.

Technical information

Material	
Housing	Polyurethane
Cable sheath	Polyurethane

Dimensions

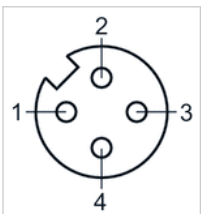
Dimensions



L = length

Pin assignments

Pin assignment, socket



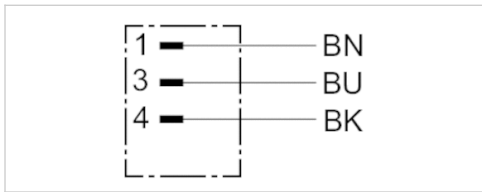
- (1) BN=brown
- (2) WH=white
- (3) BU=blue
- (4) BK=black

Round plug connector, Series CON-RD

- Plug M8x1 3-pin A-coded straight 180°
- open cable ends
- with cable
- unshielded



Ambient temperature min./max.	-25 ... 80 °C
Operational voltage	30 V AC/DC
Protection class	IP67
Wire cross-section	0.25 mm ²
Weight	See table below



Technical data

Part No.	Max. current	Number of wires	Cable-Ø	Cable length	Weight
8946203602	3 A	3	4.5 mm	3 m	0.06 kg
8946203612	3 A	3	4.5 mm	5 m	0.143 kg
8946203622	3 A	3	4.5 mm	10 m	0.281 kg

Technical information

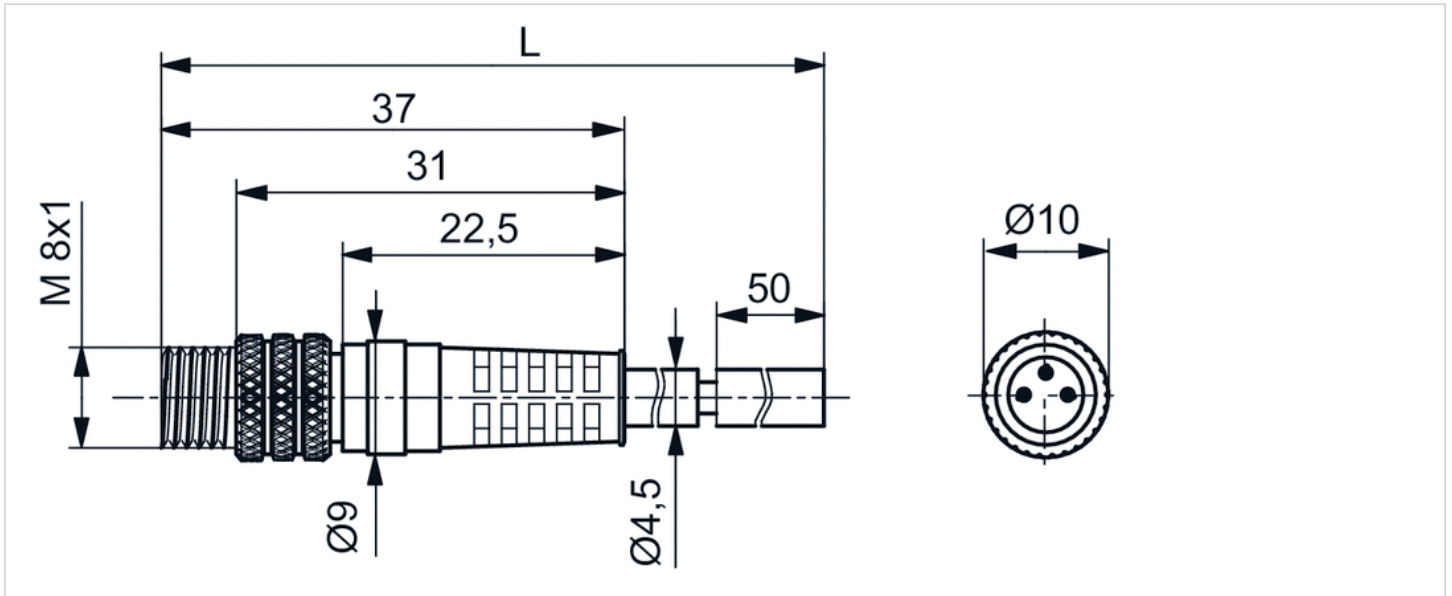
The specified protection class is only valid in assembled and tested state.

Technical information

Material	
Housing	Polyurethane
Cable sheath	Polyvinyl chloride

Dimensions

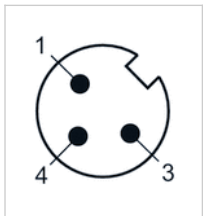
Dimensions



L = length

Pin assignments

Plug pin assignment



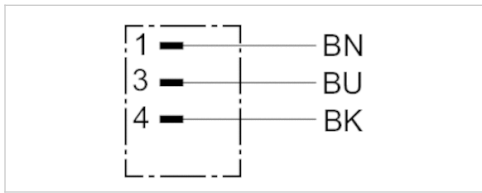
- (1) BN=brown
- (3) BU=blue
- (4) BK=black

Round plug connector, Series CON-RD

- Plug M8x1 3-pin A-coded angled 90°
- open cable ends
- with cable
- suitable for dynamic laying
- unshielded



Ambient temperature min./max.	-25 ... 80 °C
Operational voltage	48 V AC/DC
Protection class	IP68
Wire cross-section	0.25 mm ²
Weight	See table below



Technical data

Part No.	Max. current	Number of wires	Bending radius min.	Cable-Ø	Cable length	Weight
R412021678	4 A	3	41 mm	4.1 mm	2 m	0.06 kg
R412021679	4 A	3	41 mm	4.1 mm	5 m	0.121 kg
R412021680	4 A	3	41 mm	4.1 mm	10 m	0.224 kg

suitable for dynamic laying

Technical information

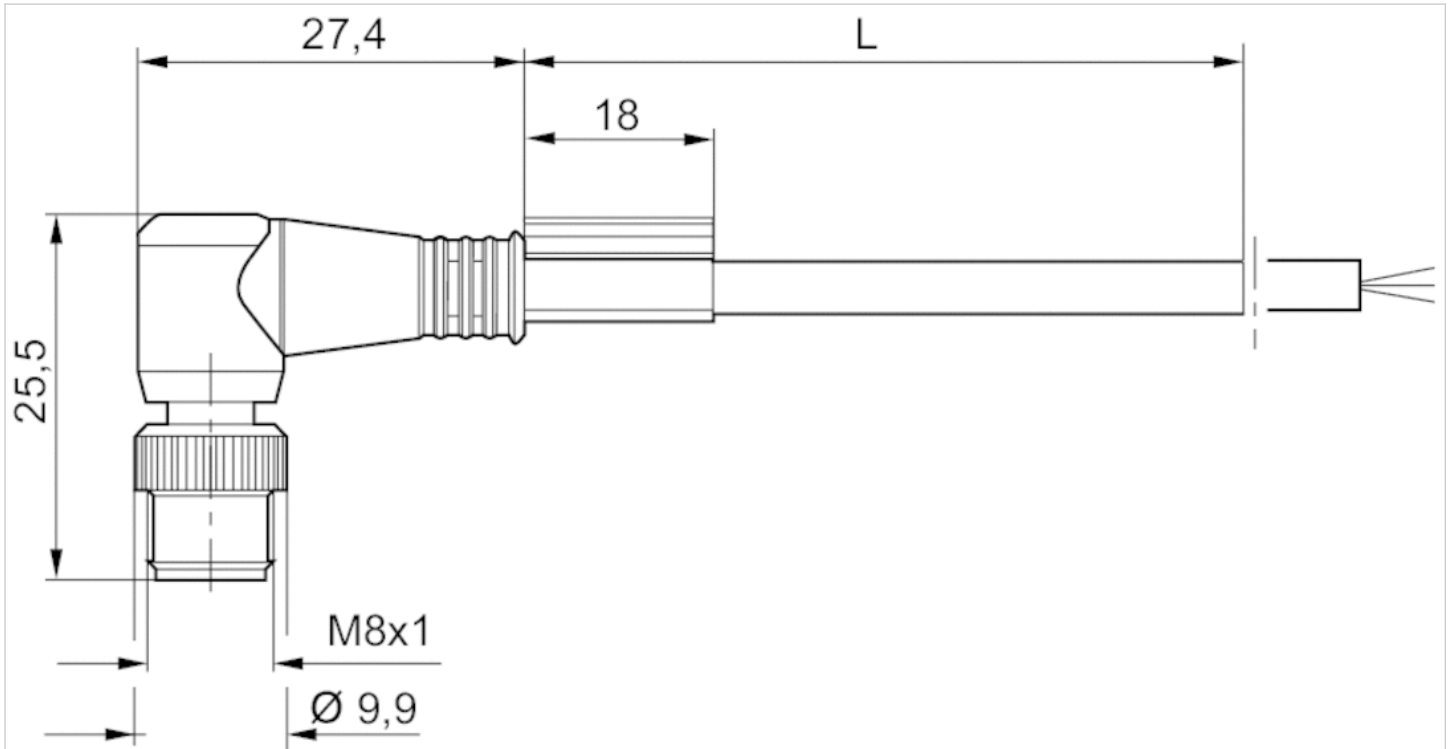
The specified protection class is only valid in assembled and tested state.

Technical information

Material	
Housing	Polyurethane
Cable sheath	Polyurethane

Dimensions

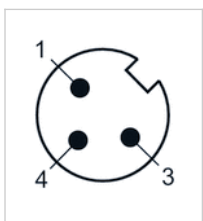
Dimensions



L = length

Pin assignments

Plug pin assignment



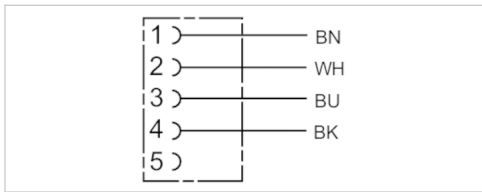
- (1) BN=brown
- (3) BU=blue
- (4) BK=black

Round plug connector, Series CON-RD

- Socket M12x1 5-pin A-coded straight 180°
- open cable ends
- with cable
- unshielded



Ambient temperature min./max.	-25 ... 70 °C
Operational voltage	48 V AC/DC
Protection class	IP67
Wire cross-section	0.34 mm ²
Weight	See table below



Technical data

Part No.	Max. current	Number of wires	Cable-Ø	Cable length	Weight
1834484256	4 A	4	5.2 mm	3 m	0.122 kg
1834484257	4 A	4	5.2 mm	5 m	0.194 kg
1834484258	4 A	4	5.2 mm	10 m	0.373 kg

Technical information

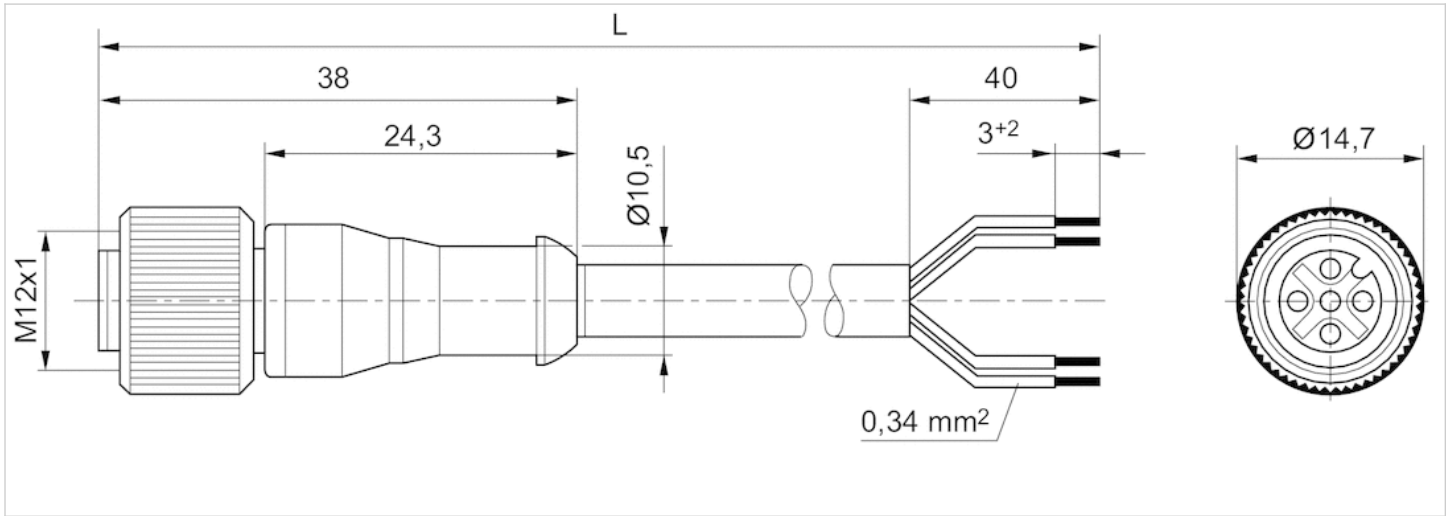
The specified protection class is only valid in assembled and tested state.

Technical information

Material	
Cable sheath	Polyurethane

Dimensions

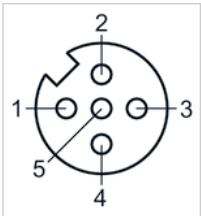
Dimensions



L = length

Pin assignments

Pin assignment, socket



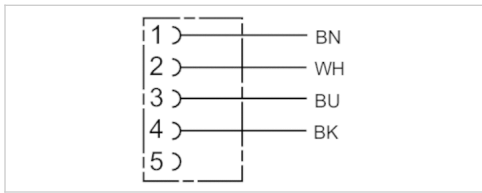
- (1) BN=brown
- (2) WH=white
- (3) BU=blue
- (4) BK=black
- (5) not assigned

Round plug connector, Series CON-RD

- Socket M12x1 5-pin A-coded angled 90°
- open cable ends
- for DeviceNet
- with cable
- unshielded



Ambient temperature min./max.	-40 ... 85 °C
Operational voltage	48 V AC/DC
Protection class	IP65
Wire cross-section	0.34 mm ²
Weight	See table below



Technical data

Part No.	Max. current	Number of wires	Cable-Ø	Cable length	Weight
1834484259	4 A	4	5.2 mm	3 m	0.126 kg
1834484260	4 A	4	5.2 mm	5 m	0.195 kg
1834484261	4 A	4	5.2 mm	10 m	0.38 kg

Technical information

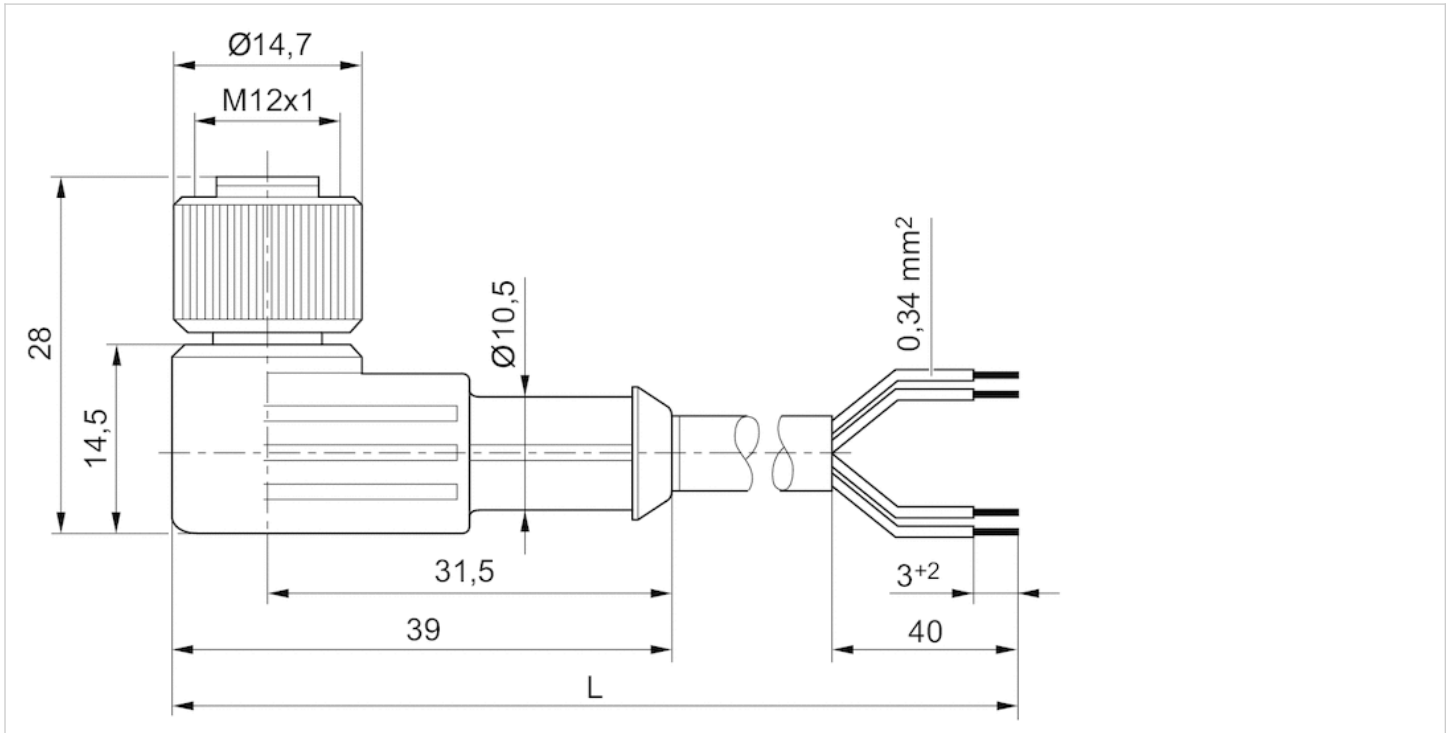
The specified protection class is only valid in assembled and tested state.

Technical information

Material	
Cable sheath	Polyurethane

Dimensions

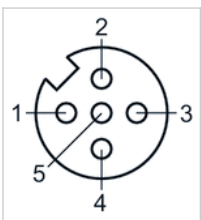
Dimensions



L = length

Pin assignments

Pin assignment, socket



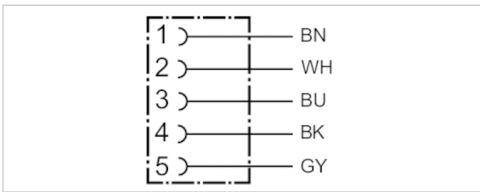
- (1) BN=brown
- (2) WH=white
- (3) BU=blue
- (4) BK=black
- (5) not assigned

Round plug connector, Series CON-RD

- Socket M12x1 5-pin A-coded angled 90°
- open cable ends
- with cable
- shielded



Ambient temperature min./max.	-25 ... 80 °C
Operational voltage	48 V AC/DC
Protection class	IP67
Wire cross-section	0.34 mm ²
Weight	See table below



Technical data

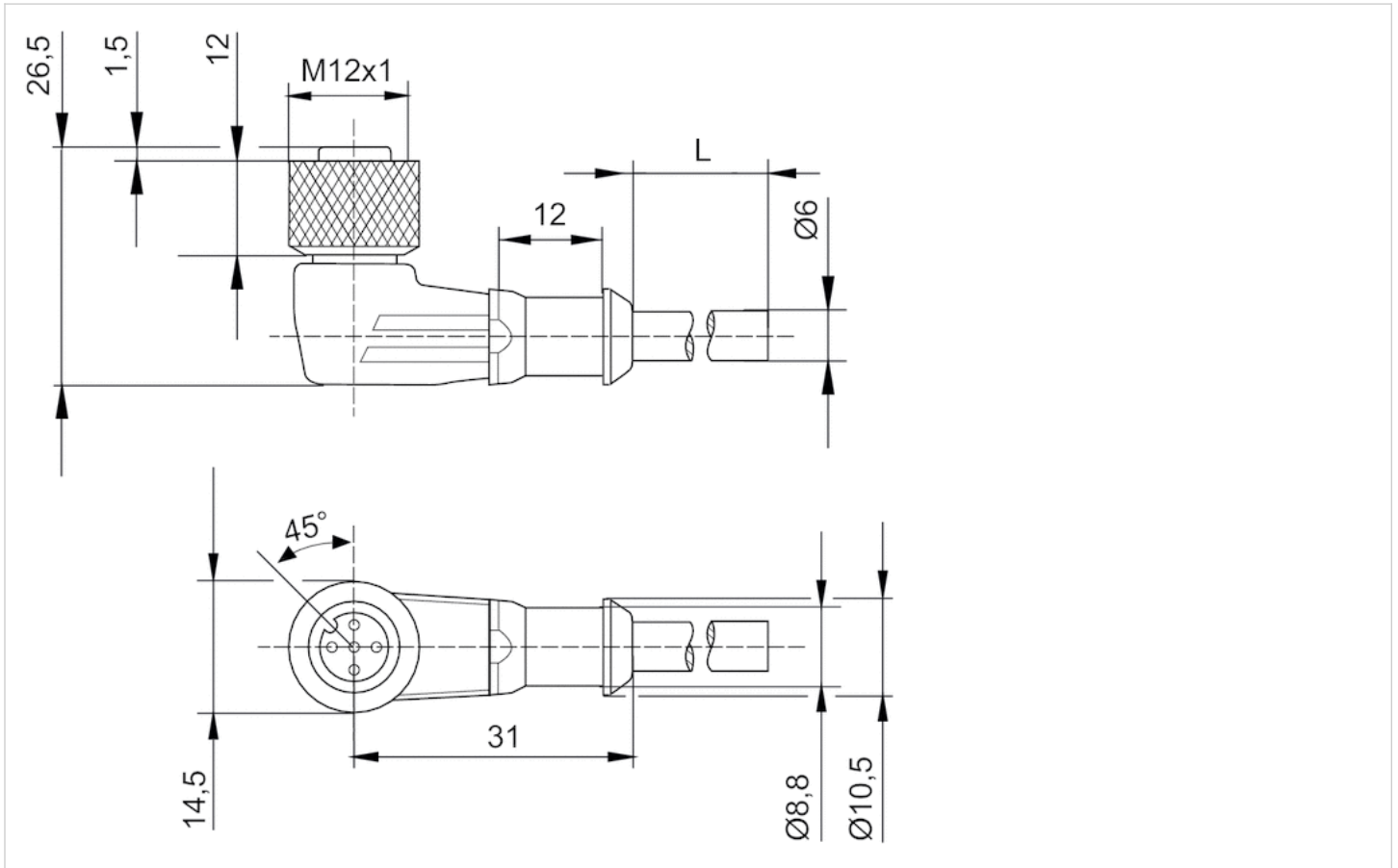
Part No.	Max. current	Number of wires	Cable-Ø	Cable length	Weight
R419800109	4 A	5	6 mm	2.5 m	0.145 kg
R419800110	4 A	5	6 mm	5 m	0.27 kg
R419800546	4 A	5	6 mm	10 m	0.514 kg

Technical information

Material	
Housing	Thermoplastic elastomer
Cable sheath	Polyurethane

Dimensions

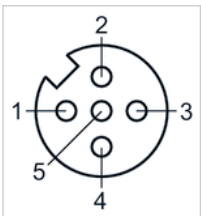
Dimensions



L = length

Pin assignments

Pin assignment, socket



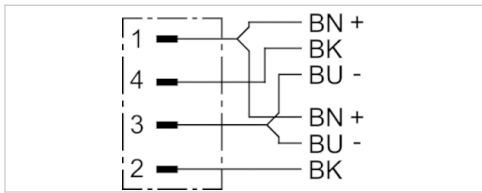
- (1) BN=brown
- (2) WH=white
- (3) BU=blue
- (4) BK=black
- (5) GY=grey

Y-Plug connector, series CON-RD

- Plug M12x1 4-pin A-coded straight 180°
- 2 x open cable ends 3-pin
- 3-pin
- with cable
- unshielded



Ambient temperature min./max.	-40 ... 80 °C
Operational voltage	48 V AC/DC
Protection class	IP67
Wire cross-section	0.34 mm ²
Mounting screw tightening torque	0.8 Nm
Weight	0.122 kg



Technical data

Part No.	Max. current	Number of wires	Cable-Ø	Cable length
R412021688	4 A	4	4.3 mm	2 m

with self-clinching screw

Technical information

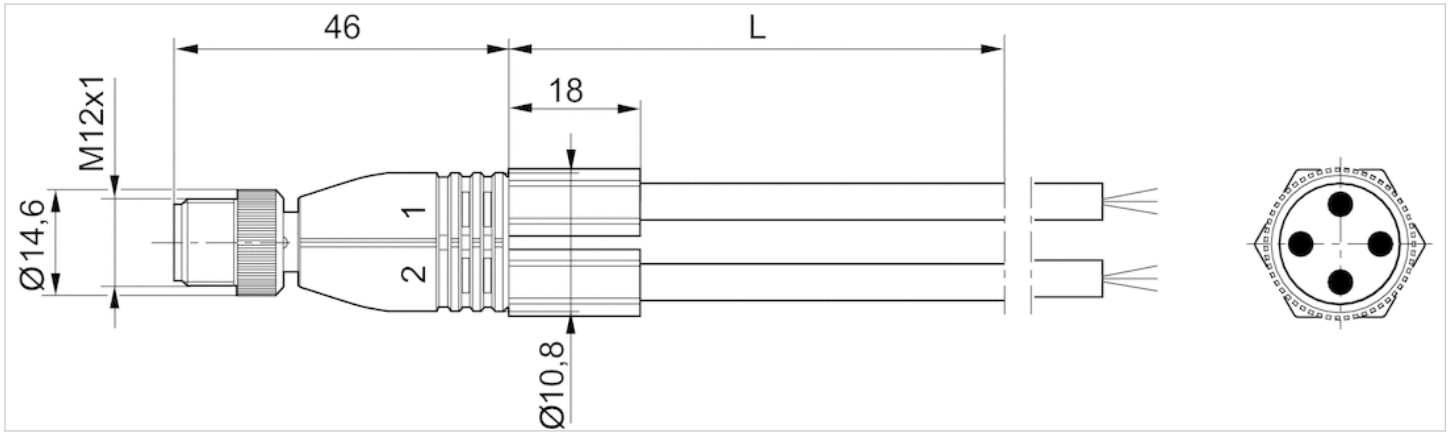
The specified protection class is only valid in assembled and tested state.

Technical information

Material	
Housing	Polyurethane
Cable sheath	Polyurethane

Dimensions

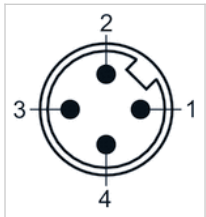
Dimensions



L = length

Pin assignments

Plug pin assignment



Line 1: (1) BN = brown, (3) BU =blue, (4) BK = black
 Line 2: (1) BN = brown, (3) BU =blue, (2) BK = black

Round plug connector, Series CON-RD

- Plug M12x1 5-pin A-coded straight 180°
- open cable ends 5-pin
- with cable
- unshielded

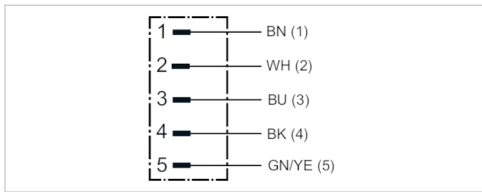


Protection class
Weight

IP68

See table below

The delivered product may vary from that in the illustration.



Technical data

Part No.	Number of wires	Cable length	Weight
8946203432	5	2 m	0.102 kg
8946203442	5	5 m	0.238 kg

with self-clinching screw

Technical information

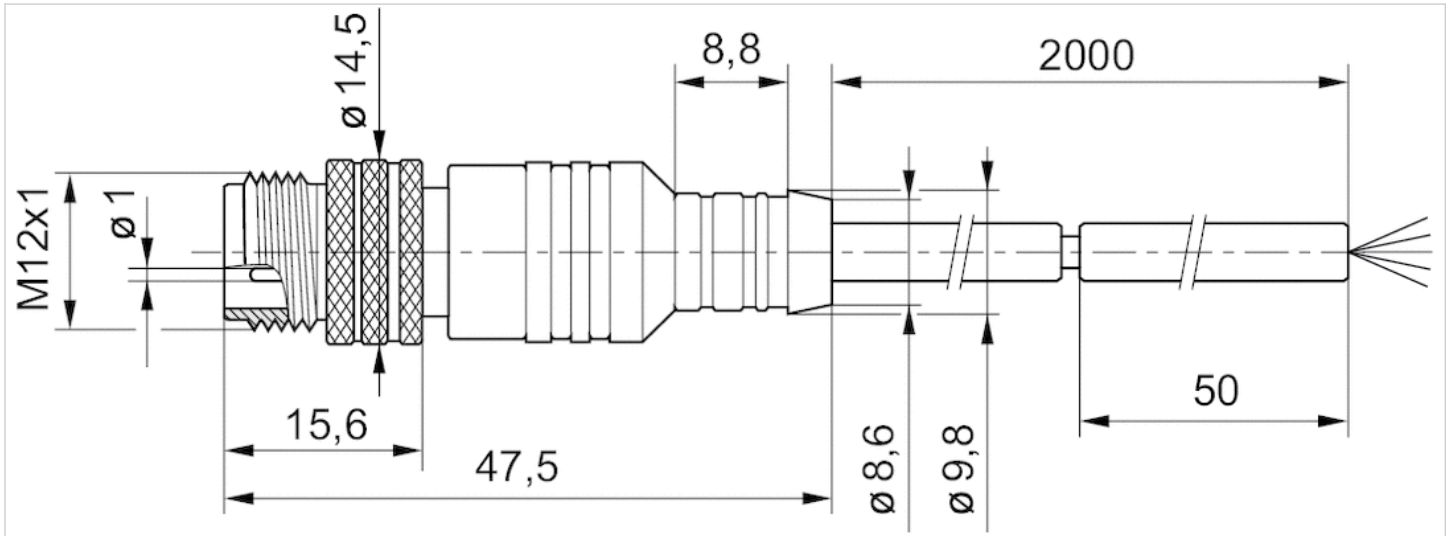
The specified protection class is only valid in assembled and tested state.

Technical information

Material	
Cable sheath	Polyvinyl chloride

Dimensions

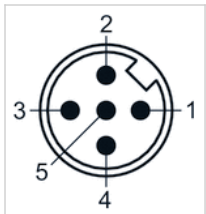
Dimensions



L = length

Pin assignments

Plug pin assignment



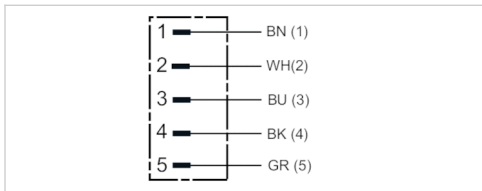
- (1) BN=brown
- (2) WH=white
- (3) BU=blue
- (4) BK=black
- (5) GRN-Y=green-yellow

Round plug connector, Series CON-RD

- Plug M12x1 5-pin A-coded angled 90°
- open cable ends 5-pin
- with cable
- suitable for dynamic laying
- unshielded



Ambient temperature min./max.	See table below
Operational voltage	48 V AC/DC
Protection class	IP68
Wire cross-section	0.34 mm ²
Mounting screw tightening torque	0.8 Nm
Weight	See table below



Technical data

Part No.	Ambient temperature min./max.	Max. current	Number of wires	Bending radius min.	Cable-Ø	Cable length
R412021691	-40 ... 85 °C	4 A	5	50 mm	5 mm	2 m
R412021692	-40 ... 85 °C	4 A	5	50 mm	5 mm	5 m
R412021693	-25 ... 85 °C	4 A	5	50 mm	5 mm	10 m

Part No.	Weight
R412021691	0.093 kg
R412021692	0.2 kg
R412021693	0.381 kg

suitable for dynamic laying

Technical information

The specified protection class is only valid in assembled and tested state.

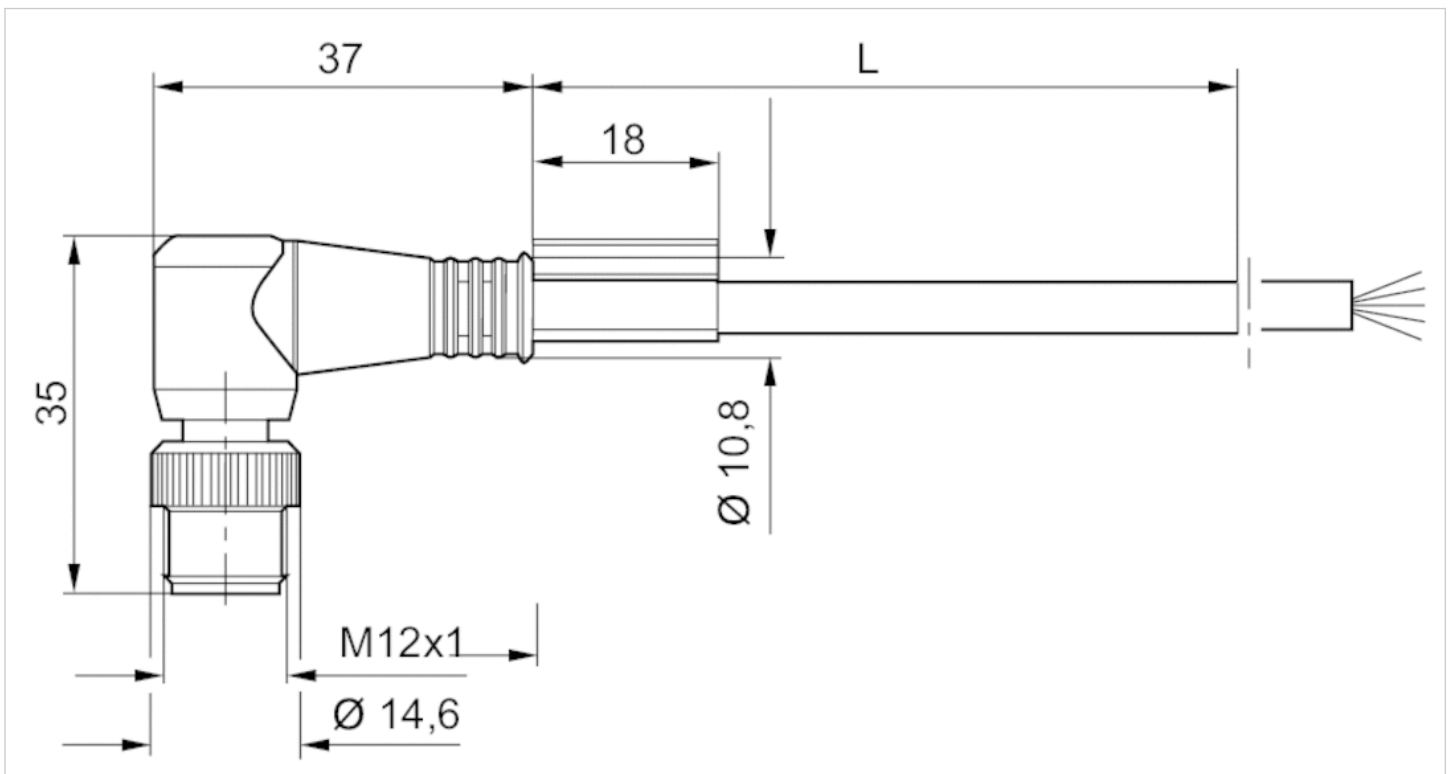
Technical information

Material

Housing	Polyurethane
Cable sheath	Polyurethane

Dimensions

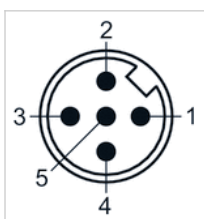
Dimensions



L = length

Pin assignments

Plug pin assignment



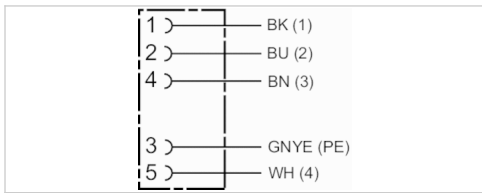
- (1) BN=brown
- (2) WH=white
- (3) BU=blue
- (4) BK=black
- (5) GY=grey

Round plug connector, Series CON-RD

- Socket 7/8"-16UNF 5-pin straight 180°
- open cable ends 5-pin
- with cable
- unshielded



Ambient temperature min./max.	-25 ... 80 °C
Operational voltage	48 V AC/DC
Protection class	IP67
Wire cross-section	1 mm ²
Weight	0.436 kg



Technical data

Part No.	Max. current	Number of wires	Bending radius min.	Cable-Ø	Cable length	Delivery unit
R412024842	12 A	5	72 mm	7.2 mm	5 m	1 piece

Technical information

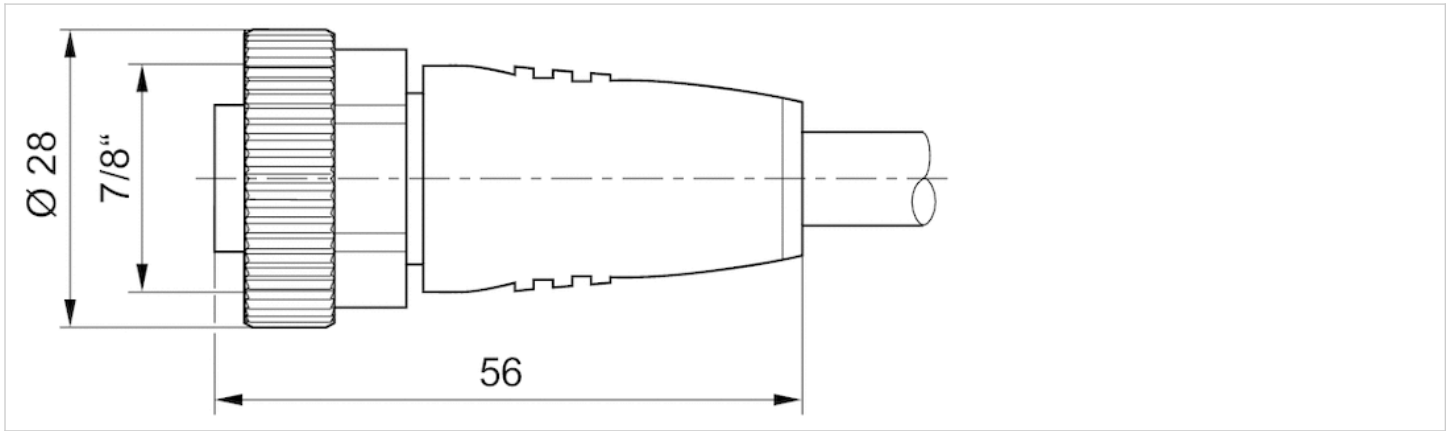
The specified protection class is only valid in assembled and tested state.

Technical information

Material	
Housing	Thermoplastic elastomer
Cable sheath	Polyurethane

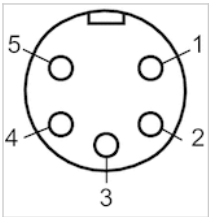
Dimensions

Dimensions



Pin assignments

Pin assignment, socket



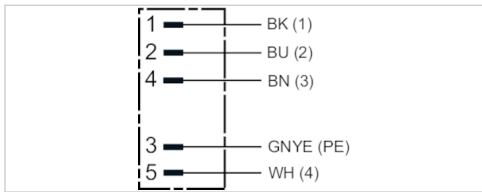
- PIN 1 BK=black (1)
- PIN 2 BU=blue (2)
- PIN 3 GNYE=green/yellow (PE)
- PIN 4 BN=brown (3)
- PIN 5 WH=white (4)

Round plug connector, Series CON-RD

- Plug 7/8"-16UNF 5-pin straight 180°
- open cable ends 5-pin
- with cable
- unshielded



Ambient temperature min./max.	-25 ... 80 °C
Operational voltage	48 V AC/DC
Protection class	IP67
Wire cross-section	1 mm ²
Weight	0.449 kg



Technical data

Part No.	Max. current	Number of wires	Bending radius min.	Cable-Ø	Cable length	Delivery unit
R412024841	12 A	5	72 mm	7.2 mm	5 m	1 piece

Technical information

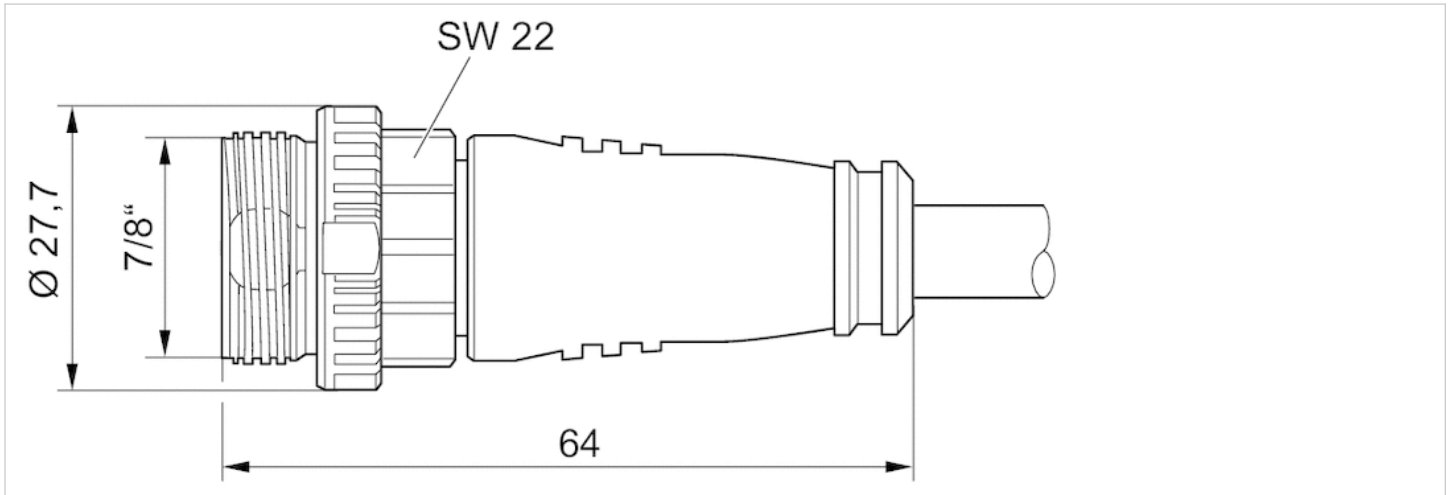
The specified protection class is only valid in assembled and tested state.

Technical information

Material	
Housing	Thermoplastic elastomer
Cable sheath	Polyurethane

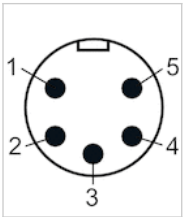
Dimensions

Dimensions



Pin assignments

Plug pin assignment



- PIN 1 BK=black (1)
- PIN 2 BU=blue (2)
- PIN 3 GNYE=green/yellow (PE)
- PIN 4 BN=brown (3)
- PIN 5 WH=white (4)

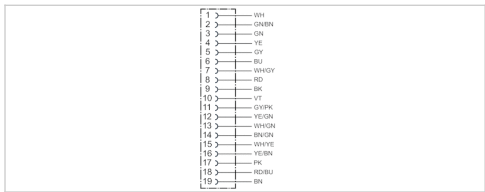
Round plug connector, Series CON-RD

- Socket M23x1 19-pin A-coded straight 180°
- open cable ends
- with cable
- unshielded



Weight

0.876 kg



Technical data

Part No.	Number of wires	Cable length
R412012457	19	5 m

Technical information

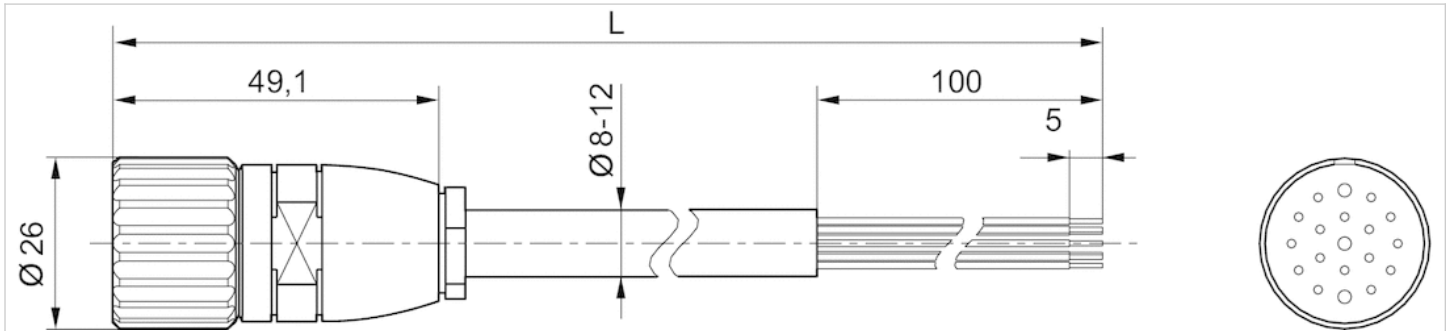
The specified protection class is only valid in assembled and tested state.

Technical information

Material	
Housing	metal

Dimensions

Dimensions



Pin assignments

Pin assignment, socket



- (1) WH=white
- (2) GN/BN=green/brown
- (3) GN=green
- (4) YE=yellow
- (5) GY=gray
- (6) BU=blue
- (7) WH/GY=white/gray
- (8) RD=red
- (9) BK=black
- (10) VT=violet
- (11) GY/PK=gray/pink
- (12) YE/GN=yellow/green
- (13) WH/GN=white/green
- (14) BN/GN=brown/green
- (15) WH/YE=white/yellow
- (16) YE/BN=yellow/brown
- (17) PK=pink
- (18) RD/BU=red/blue
- (19) BN=brown

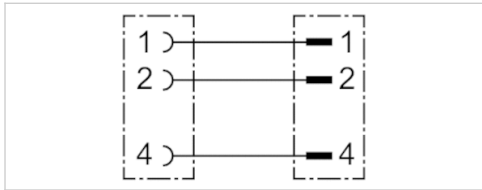
Round plug connector, Series CON-RD

- Socket M8x1 3-pin A-coded straight 180°
- Plug A-coded straight 180°
- with cable
- unshielded



Protection class
Weight

IP68
See table below



Technical data

Part No.	Number of wires	Cable-Ø	Cable length	Weight
8946203702	3	4.5 mm	1 m	0.038 kg
8946203712	3	4.5 mm	2 m	0.067 kg
8946203722	3	4.5 mm	5 m	0.148 kg

Technical information

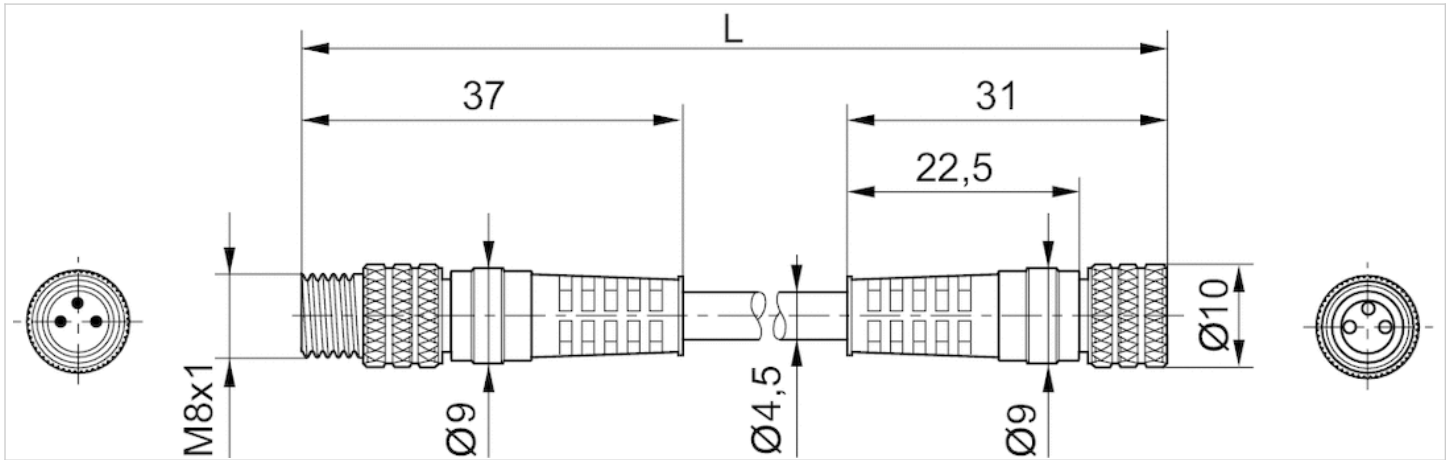
The specified protection class is only valid in assembled and tested state.

Technical information

Material	
Cable sheath	Polyvinyl chloride

Dimensions

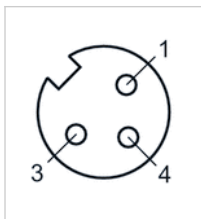
Dimensions



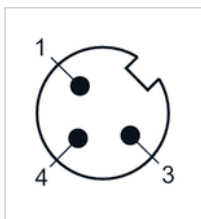
L = length

Pin assignments

Pin assignment, socket



Plug pin assignment

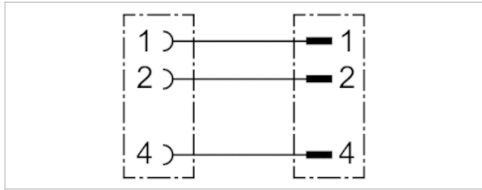


Round plug connector, Series CON-RD

- Socket M8x1 3-pin A-coded straight 180°
- Plug M8x1 3-pin A-coded angled 90°
- with cable
- suitable for dynamic laying
- unshielded



Ambient temperature min./max.	-25 ... 80 °C
Operational voltage	48 V AC/DC
Protection class	IP68
Wire cross-section	0.25 mm ²
Weight	See table below



Technical data

Part No.	Max. current	Number of wires	Bending radius min.	Cable-Ø	Cable length	Weight
R412021681	4 A	3	41 mm	4.1 mm	1 m	0.045 kg
R412021682	4 A	3	41 mm	4.1 mm	2 m	0.064 kg
R412021683	4 A	3	41 mm	4.1 mm	5 m	0.131 kg

suitable for dynamic laying

Technical information

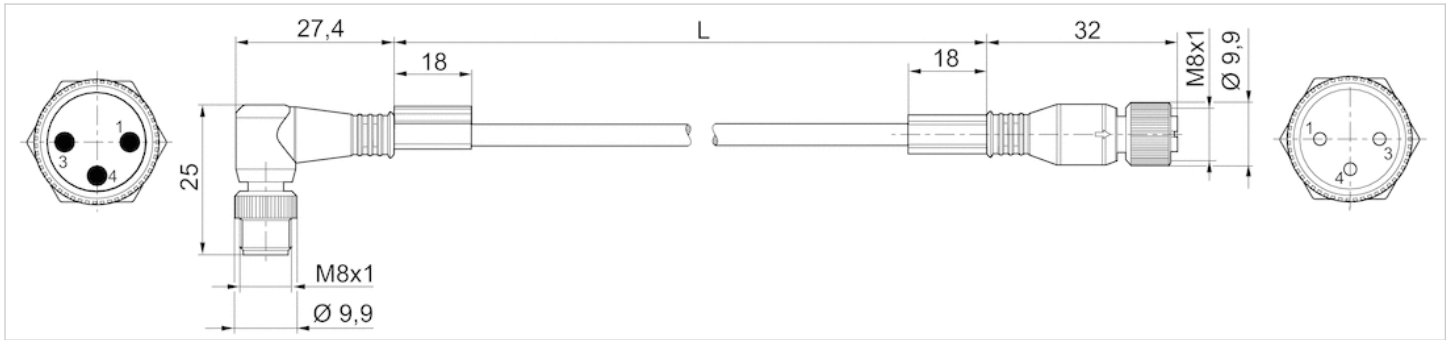
The specified protection class is only valid in assembled and tested state.

Technical information

Material	
Housing	Polyurethane
Cable sheath	Polyurethane

Dimensions

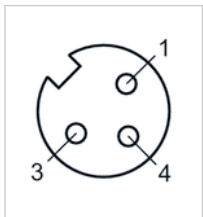
Dimensions



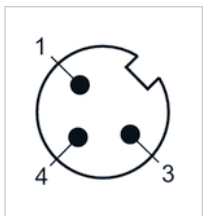
L = length

Pin assignments

Pin assignment, socket



Plug pin assignment

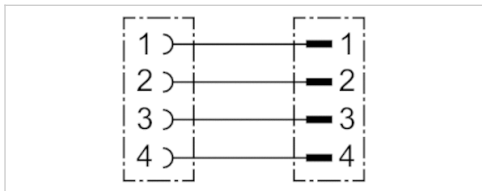


Round plug connector, Series CON-RD

- Socket M8x1 4-pin A-coded straight 180°
- Plug M8x1 4-pin A-coded straight 180°
- with cable
- suitable for dynamic laying
- unshielded



Ambient temperature min./max.	-25 ... 80 °C
Operational voltage	30 V AC/DC
Protection class	IP68
Wire cross-section	0.25 mm ²
Mounting screw tightening torque	0.6 Nm
Weight	See table below



Technical data

Part No.	Max. current	Number of wires	Bending radius min.	Cable-Ø	Cable length	Delivery unit	Weight
R412023861	4 A	4	44 mm	4.4 mm	1 m	1 piece	0.05 kg
R412023862	4 A	4	44 mm	4.4 mm	2 m	1 piece	0.076 kg
R412023863	4 A	4	44 mm	4.4 mm	5 m	1 piece	0.157 kg

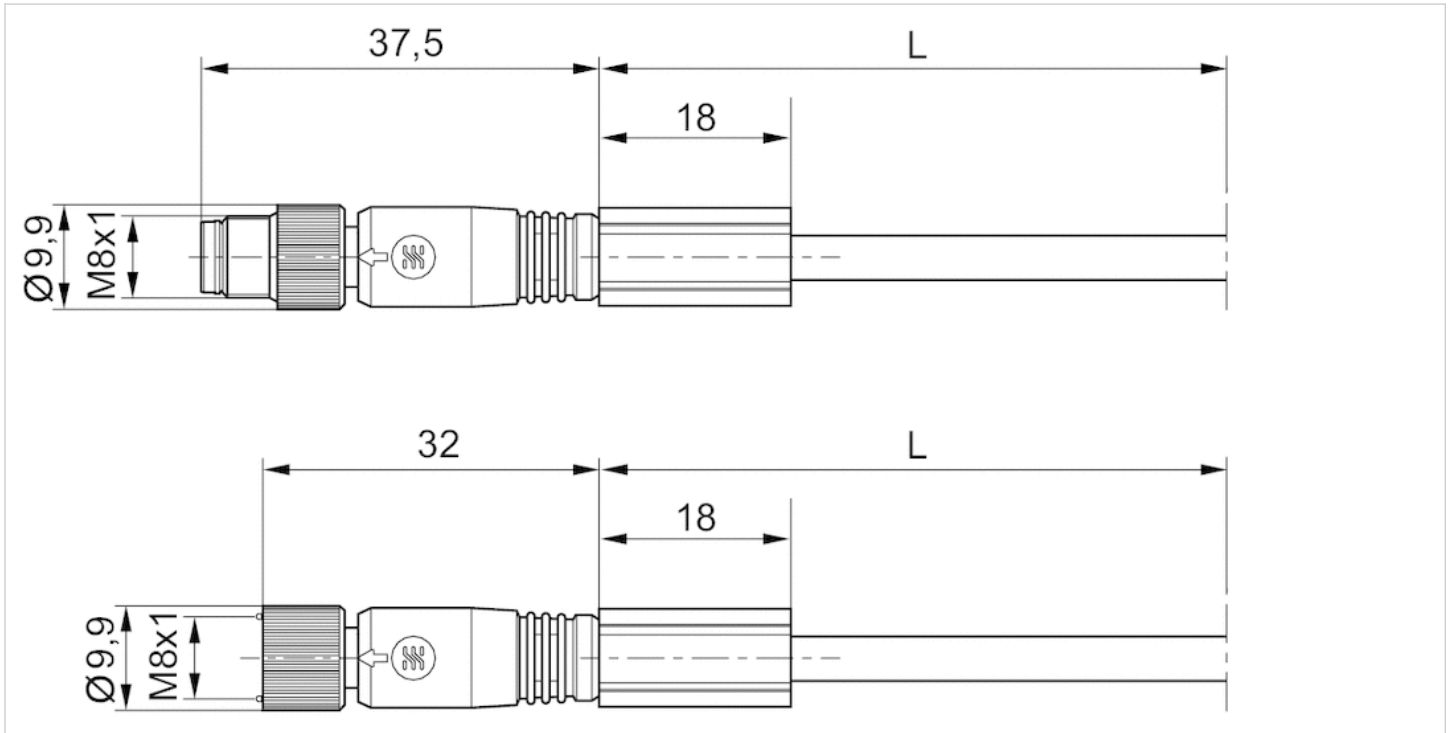
suitable for dynamic laying

Technical information

Material	
Housing	Polyurethane
Cable sheath	Polyurethane

Dimensions

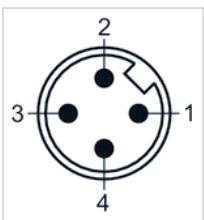
Dimensions



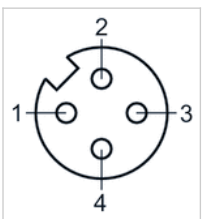
L = length

Pin assignments

Plug pin assignment



Pin assignment, socket

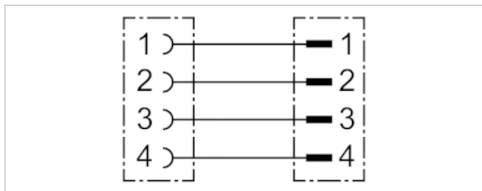


Round plug connector, Series CON-RD

- Socket M8x1 4-pin A-coded angled 90°
- Plug M8x1 4-pin A-coded straight 180°
- with cable
- suitable for dynamic laying
- unshielded



Ambient temperature min./max.	-40 ... 80 °C
Operational voltage	30 V AC/DC
Protection class	IP68
Wire cross-section	0.25 mm ²
Mounting screw tightening torque	0.6 Nm
Weight	0.05 kg



Technical data

Part No.	Max. current	Number of wires	Bending radius min.	Cable-Ø	Cable length	Delivery unit
R412023864	4 A	4	44 mm	4.4 mm	1 m	1 piece

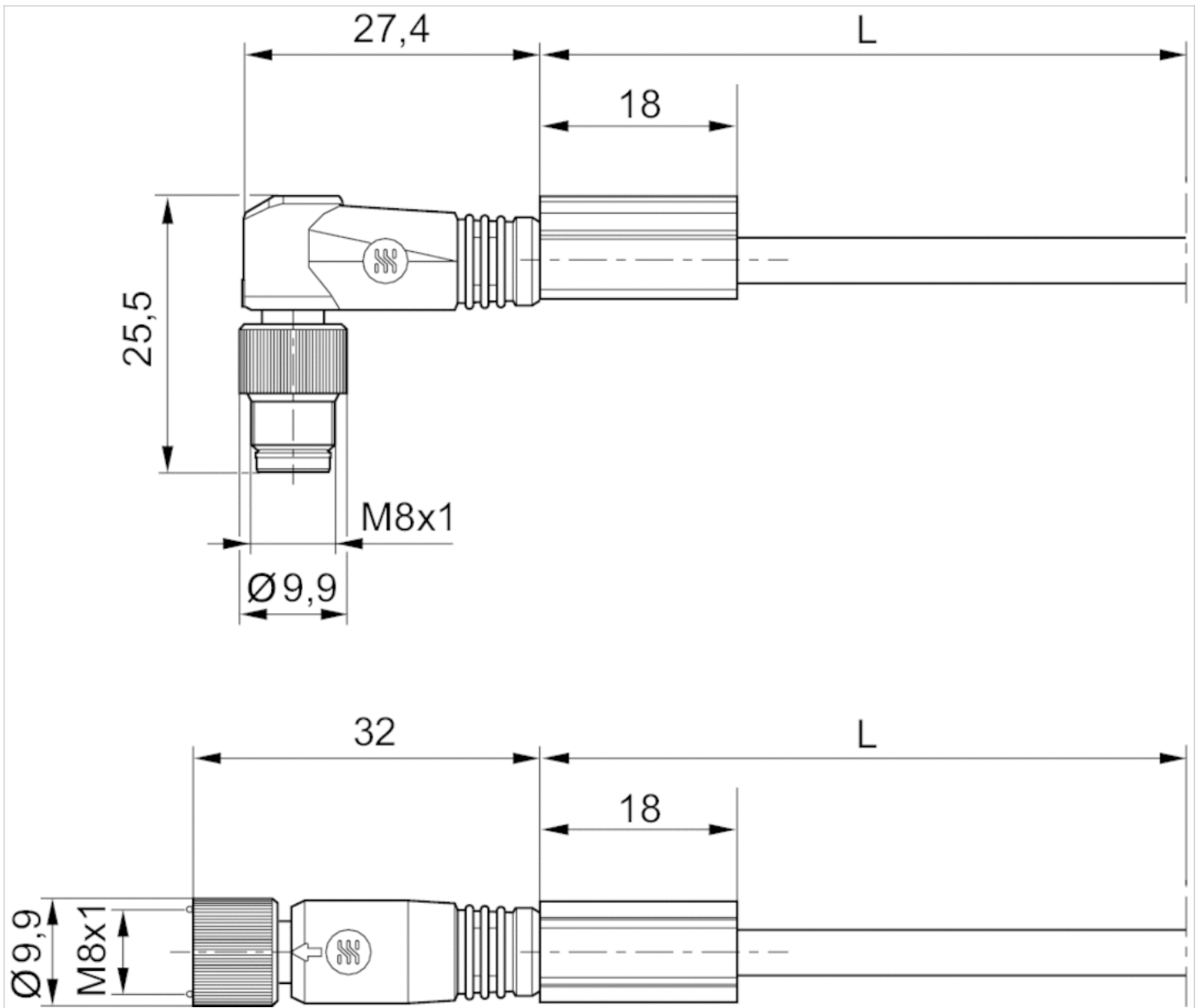
suitable for dynamic laying

Technical information

Material	
Housing	Polyurethane
Cable sheath	Polyurethane

Dimensions

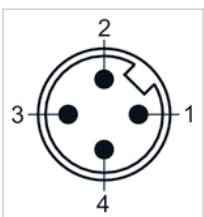
Dimensions



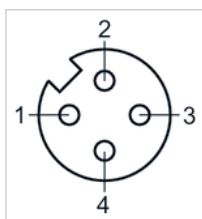
L = length

Pin assignments

Plug pin assignment



Pin assignment, socket



Round plug connector, Series CON-RD

- Socket M8x1 3-pin A-coded straight 180°
- Plug M12x1 3-pin A-coded straight 180°
- with cable
- unshielded

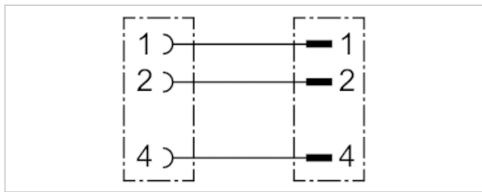


Protection class
Weight

IP68

0.073 kg

The delivered product may vary from that in the illustration.



Technical data

Part No.	Number of wires	Cable length
8946203462	3	2 m

Technical information

The specified protection class is only valid in assembled and tested state.

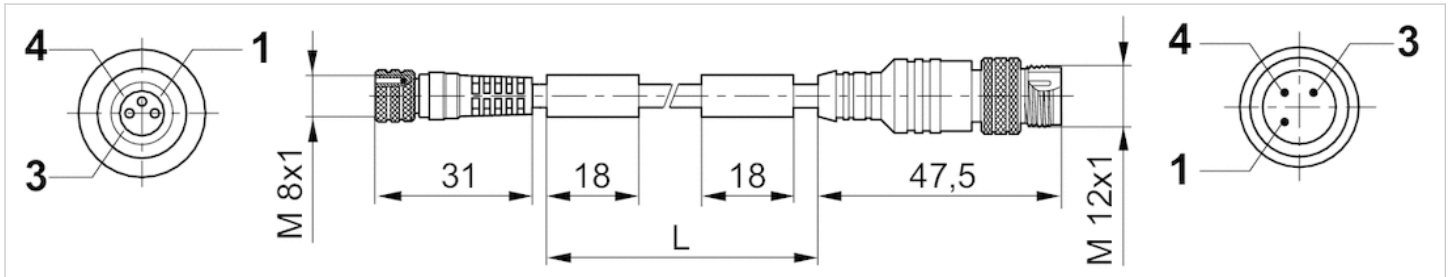
Technical information

Material

Cable sheath	Polyvinyl chloride
--------------	--------------------

Dimensions

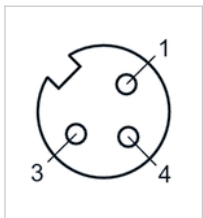
Dimensions



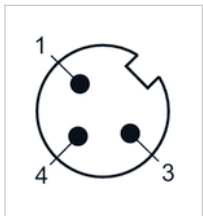
L = length

Pin assignments

Pin assignment, socket



Plug pin assignment

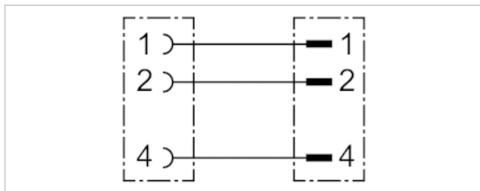


Round plug connector, Series CON-RD

- Socket M8x1 3-pin A-coded straight 180°
- Plug M12x1 3-pin A-coded angled 90°
- with cable
- suitable for dynamic laying
- unshielded



Ambient temperature min./max.	See table below
Operational voltage	48 V AC/DC
Protection class	IP67
Wire cross-section	0.25 mm ²
Mounting screw tightening torque	0.5 Nm
Weight	See table below
	The delivered product may vary from that in the illustration.



Technical data

Part No.	Ambient temperature min./max.	Max. current	Number of wires	Bending radius min.	Cable-Ø	Cable length
R412021696	-25 ... 80 °C	4 A	3	41 mm	4.1 mm	2 m
R412021697	-20 ... 80 °C	4 A	3	41 mm	4.1 mm	5 m

Part No.	Weight
R412021696	0.077 kg
R412021697	0.135 kg

suitable for dynamic laying

Technical information

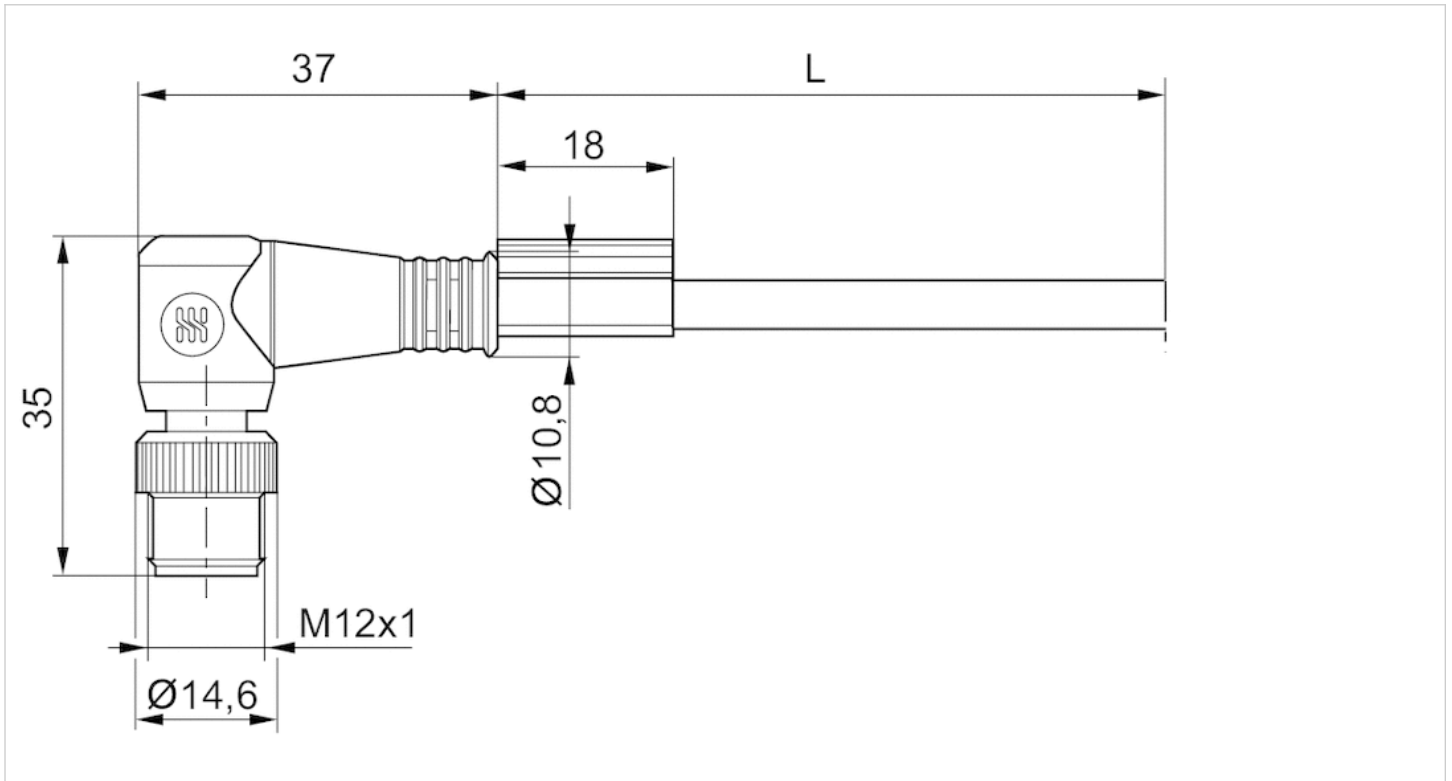
The specified protection class is only valid in assembled and tested state.

Technical information

Material	
Housing	Polyurethane
Cable sheath	Polyurethane

Dimensions

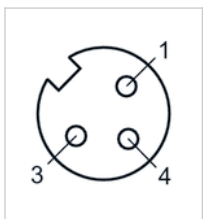
Dimensions



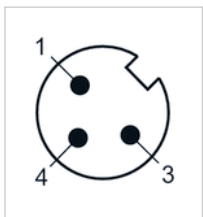
L = length

Pin assignments

Pin assignment, socket



Plug pin assignment

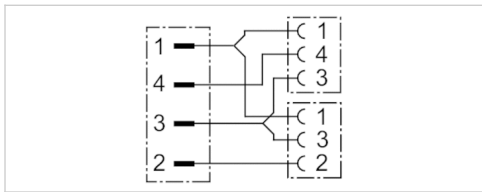


Y-Plug connector, series CON-RD

- Plug M12x1 4-pin A-coded straight 180°
- Socket M8x1 3-pin A-coded straight 180°
- with cable
- unshielded



Ambient temperature min./max.	-25 ... 80 °C
Operational voltage	48 V AC/DC
Protection class	IP67
Wire cross-section	0.25 mm ²
Mounting screw tightening torque	0.8 Nm
Weight	See table below



Technical data

Part No.	Max. current	Number of wires	Cable-Ø	Cable length	Weight
R412021685	4 A	3	4.1 mm	0.6 m	0.064 kg
R412021687	4 A	3	4.1 mm	3 m	0.167 kg

Technical information

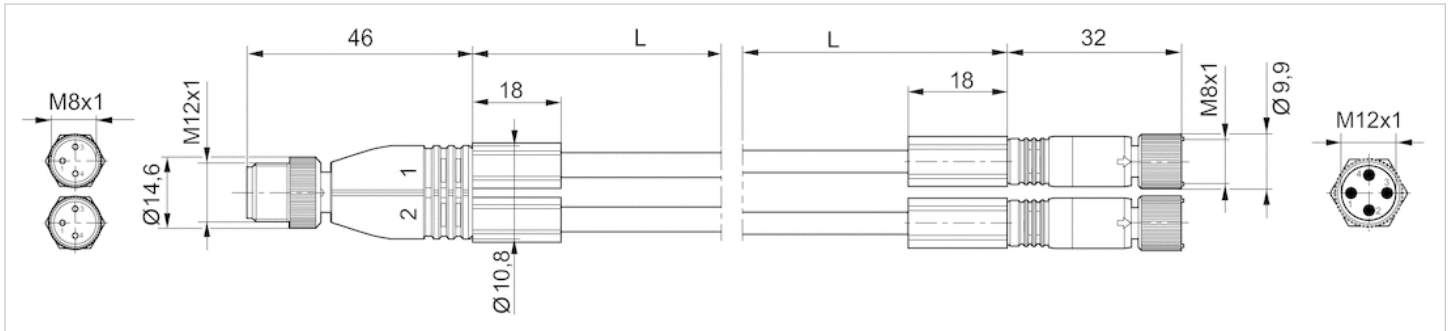
The specified protection class is only valid in assembled and tested state.

Technical information

Material	
Housing	Polyurethane
Cable sheath	Polyurethane

Dimensions

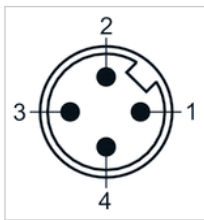
Dimensions



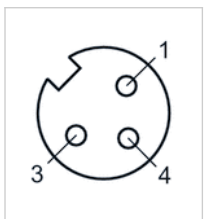
L = length

Pin assignments

Plug pin assignment



Pin assignment, socket

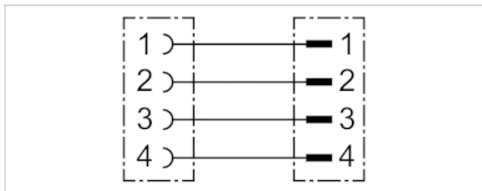


Round plug connector, Series CON-RD

- Socket M12x1 4-pin A-coded straight 180°
- Plug M12x1 4-pin A-coded straight 180°
- EN 61076-2-101
- with cable
- unshielded



Ambient temperature min./max.	-40 ... 105 °C
Protection class	IP65 IP67 IP68 IP69
Wire cross-section	0.34 mm ²
Weight	See table below



Technical data

Part No.	Max. current	Number of wires	Bending radius min.	Cable-Ø	Cable length	Delivery unit	Weight
R402003760	4 A	4	45 mm	4.5 mm	5 m	1 piece	0.258 kg
R402003761	4 A	4	45 mm	4.5 mm	10 m	1 piece	0.484 kg
R402003762	4 A	4	45 mm	4.5 mm	15 m	1 piece	0.721 kg

Technical information

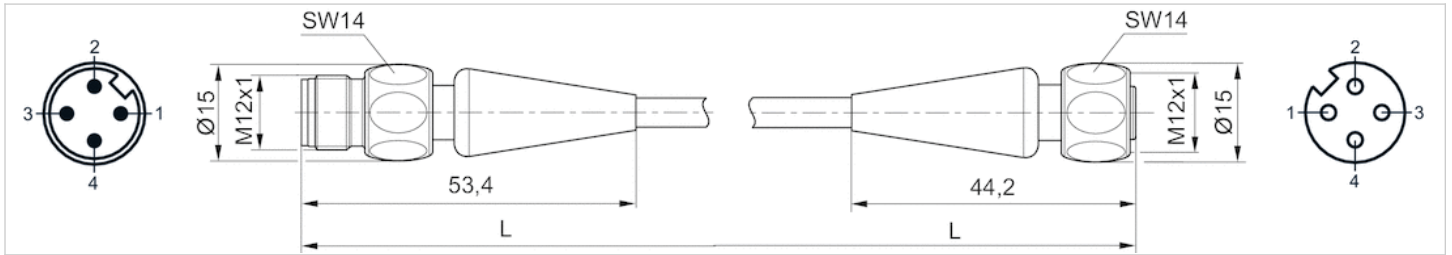
The specified protection class is only valid in assembled and tested state.

Technical information

Material	
Housing	Polypropylene
Seals	Ethylene propylene diene monomer rubber
Cable sheath	Polyvinyl chloride

Dimensions

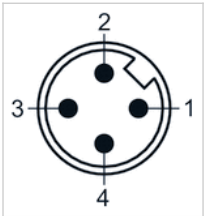
Dimensions



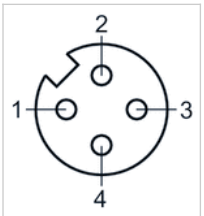
L = cable length

Pin assignments

Plug pin assignment



Pin assignment, socket

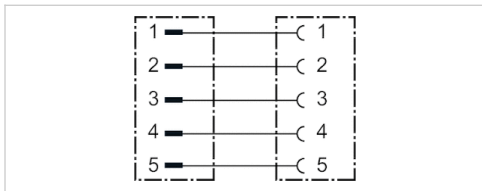


Round plug connector, Series CON-RD

- Socket M12x1 5-pin A-coded straight 180°
- Plug M12x1 5-pin A-coded straight 180°
- for DDL
- with cable
- shielded



Ambient temperature min./max.	-25 ... 80 °C
Operational voltage	30 / 36 V AC/DC
Protection class	IP67
Wire cross-section	0.34 mm ²
Weight	See table below



Technical data

Part No.	Max. current	Number of wires	Bending radius min.	Cable-Ø	Cable length	Weight
8946054662	4 A	5	45 mm	6 mm	0.3 m	0.051 kg
8946054672	4 A	5	45 mm	6 mm	0.5 m	0.051 kg
8946054682	4 A	5	45 mm	6 mm	1 m	0.088 kg
8946054692	4 A	5	45 mm	6 mm	2 m	0.139 kg
8946054702	4 A	5	45 mm	6 mm	5 m	0.289 kg
8946054712	4 A	5	45 mm	6 mm	10 m	0.536 kg

Technical information

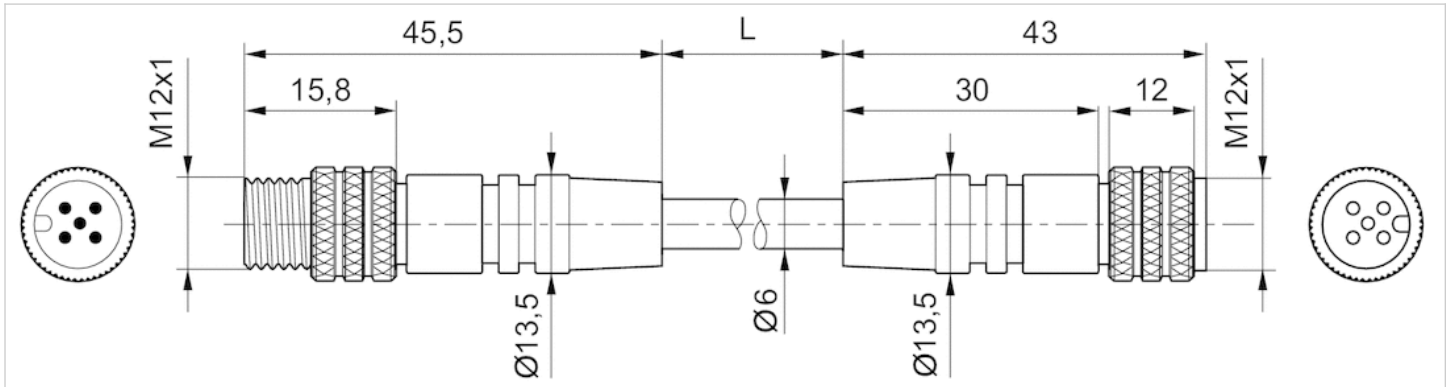
The specified protection class is only valid in assembled and tested state.

Technical information

Material	
Housing	Polyurethane
Seals	Fluorocaoutchouc
Cable sheath	Polyurethane

Dimensions

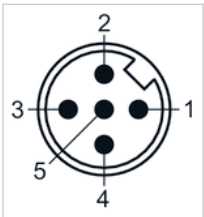
Dimensions



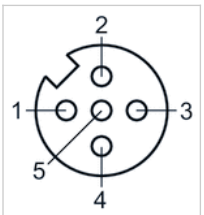
L = cable length

Pin assignments

Plug pin assignment



Pin assignment, socket

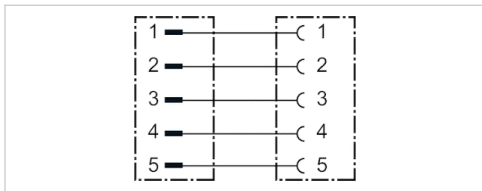


Round plug connector, Series CON-RD

- Socket M12x1 5-pin A-coded straight 180°
- Plug M12x1 5-pin A-coded angled 90°
- with cable
- suitable for dynamic laying
- unshielded



Ambient temperature min./max.	-25 ... 85 °C
Operational voltage	48 V AC/DC
Protection class	IP68
Wire cross-section	0.34 mm ²
Mounting screw tightening torque	0.8 Nm
Weight	See table below



Technical data

Part No.	Max. current	Number of wires	Bending radius min.	Cable-Ø	Cable length	Weight
R412021694	4 A	5	50 mm	5 mm	2 m	0.114 kg
R412021695	4 A	5	50 mm	5 mm	5 m	0.217 kg

suitable for dynamic laying

Technical information

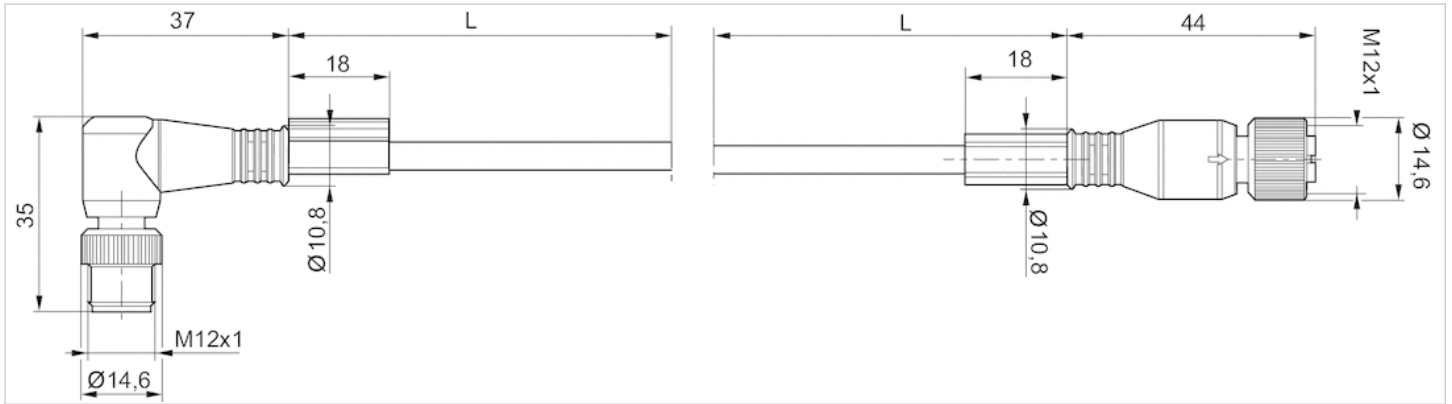
The specified protection class is only valid in assembled and tested state.

Technical information

Material	
Housing	Polyurethane
Cable sheath	Polyurethane

Dimensions

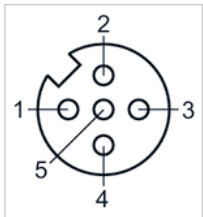
Dimensions



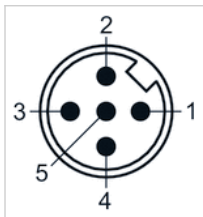
L = length

Pin assignments

Pin assignment, socket



Plug pin assignment

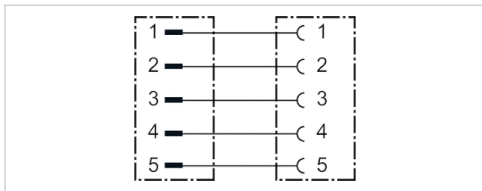


Round plug connector, Series CON-RD

- Socket M12x1 5-pin A-coded straight 180°
- Plug M12x1 5-pin A-coded angled 90°
- with cable
- suitable for dynamic laying
- shielded



Ambient temperature min./max.	-20 ... 85 °C
Operational voltage	48 V AC/DC
Protection class	IP68
Wire cross-section	0.34 mm ²
Mounting screw tightening torque	0.8 Nm



Technical data

Part No.	Max. current	Number of wires	Bending radius min.	Cable-Ø	Cable length
R412022193	4 A	4	54 mm	5.4 mm	2 m

suitable for dynamic laying

Technical information

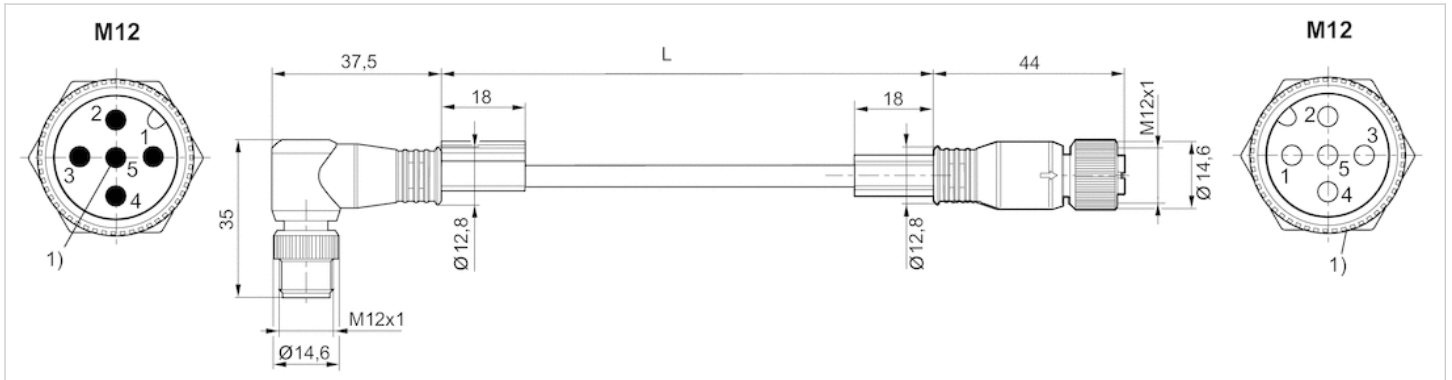
The specified protection class is only valid in assembled and tested state.

Technical information

Material	
Housing	Polyurethane
Cable sheath	Polyurethane

Dimensions

Dimensions



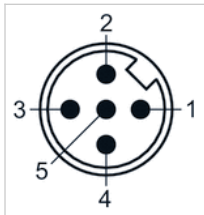
L = length

PIN assignment 1:1

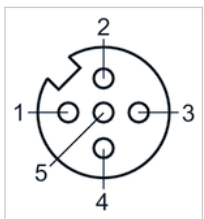
1) Shield is connected to pin 5 of the plug and the knurled screw of the socket.

Pin assignments

Plug pin assignment



Pin assignment, socket

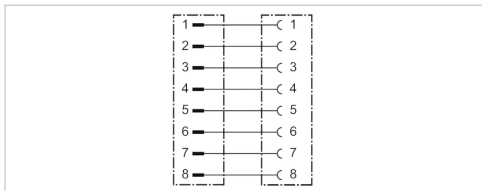


Round plug connector, Series CON-RD

- Socket M12x1 8-pin A-coded straight 180°
- Plug M12x1 8-pin A-coded straight 180°
- with cable
- suitable for dynamic laying
- shielded



Ambient temperature min./max.	-25 ... 80 °C
Operational voltage	30 / 36 V AC/DC
Protection class	IP67
Wire cross-section	0.25 mm ²
Weight	See table below



Technical data

Part No.	Max. current	Number of wires	Cable-Ø	Cable length	Weight
8946202802	1.5 A	8	6.6 mm	0.5 m	0.067 kg
8946202812	1.5 A	8	6.6 mm	1 m	0.96 kg
8946202822	1.5 A	8	6.6 mm	2 m	0.161 kg
8946202832	1.5 A	8	6.6 mm	5 m	0.339 kg
8946202842	1.5 A	8	6.6 mm	10 m	0.65 kg

suitable for dynamic laying

Technical information

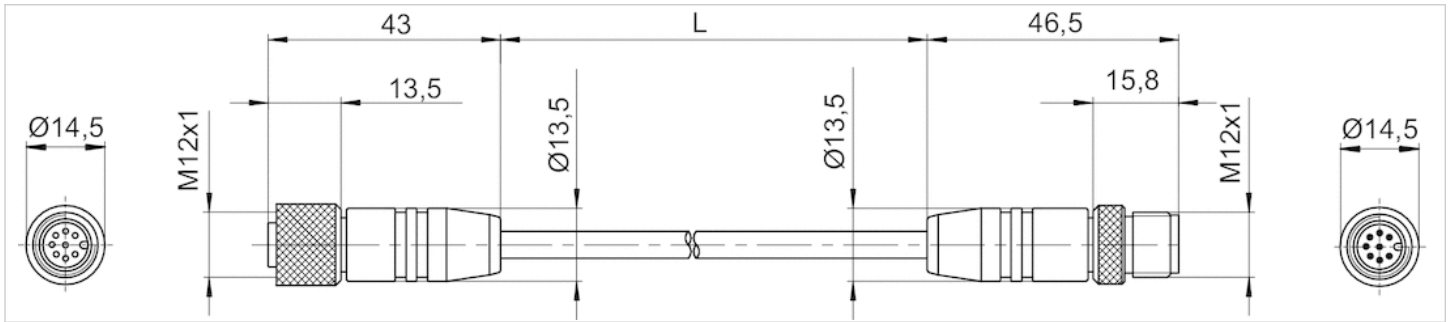
The specified protection class is only valid in assembled and tested state.

Technical information

Material	
Housing	Polyurethane
Seals	Fluorocaoutchouc
Cable sheath	Polyurethane

Dimensions

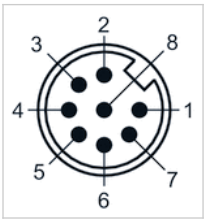
Dimensions



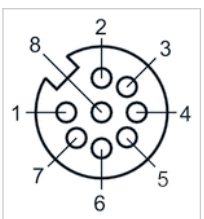
L = length

Pin assignments

Plug pin assignment



Pin assignment, socket

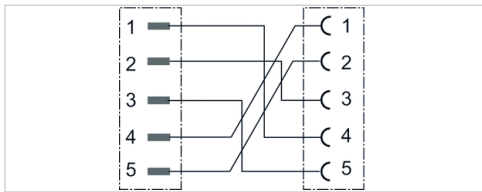


Round plug connector, Series CON-RD

- Plug 7/8"-16UNF 5-pin straight 180°
- Socket M12x1 5-pin A-coded straight 180°
- with cable
- unshielded



Ambient temperature min./max.	-25 ... 85 °C
Operational voltage	48 V AC/DC
Protection class	IP67
Wire cross-section	1 mm ²
Weight	0.088 kg



Technical data

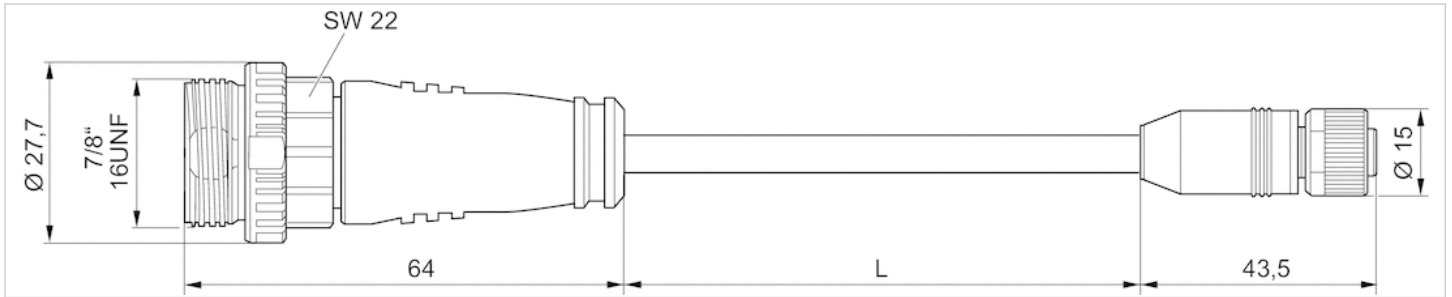
Part No.	Max. current	Number of wires	Bending radius min.	Cable-Ø	Cable length	Delivery unit
R412024843	4 A	5	70 mm	7 mm	0.3 m	1 piece

Technical information

Material	
Housing	Thermoplastic elastomer
Cable sheath	Polyvinyl chloride

Dimensions

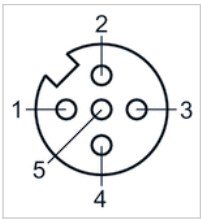
Dimensions



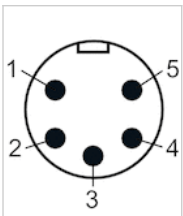
L = length

Pin assignments

Pin assignment, socket



Plug pin assignment

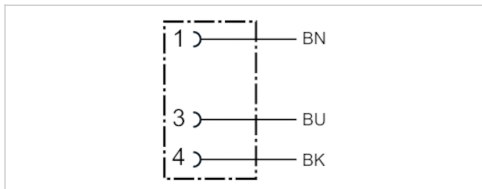


Round plug connector, Series CON-RD

- open cable ends
- with cable
- unshielded



Ambient temperature min./max.	-25 ... 70 °C
Operational voltage	48 V AC/DC
Protection class	IP65
Wire cross-section	0.25 mm ²
Weight	See table below



Technical data

Part No.	Electrical connection	Max. current	Number of wires	Cable-Ø	Cable length
	1				
1834484083	Socket Snap Ø8 3-pin straight 180°	4 A	3	4.5 mm	5 m
1834484085	Socket Snap Ø8 3-pin angled 90°	4 A	3	4.5 mm	5 m
1834484199	Socket Snap Ø8 3-pin angled 90°	4 A	3	4.5 mm	10 m

Part No.	Certification	Weight	Fig.
1834484083	-	0.137 kg	Fig. 1
1834484085	UL (Underwriters Laboratories)	0.138 kg	Fig. 2
1834484199	-	0.274 kg	Fig. 2

Technical information

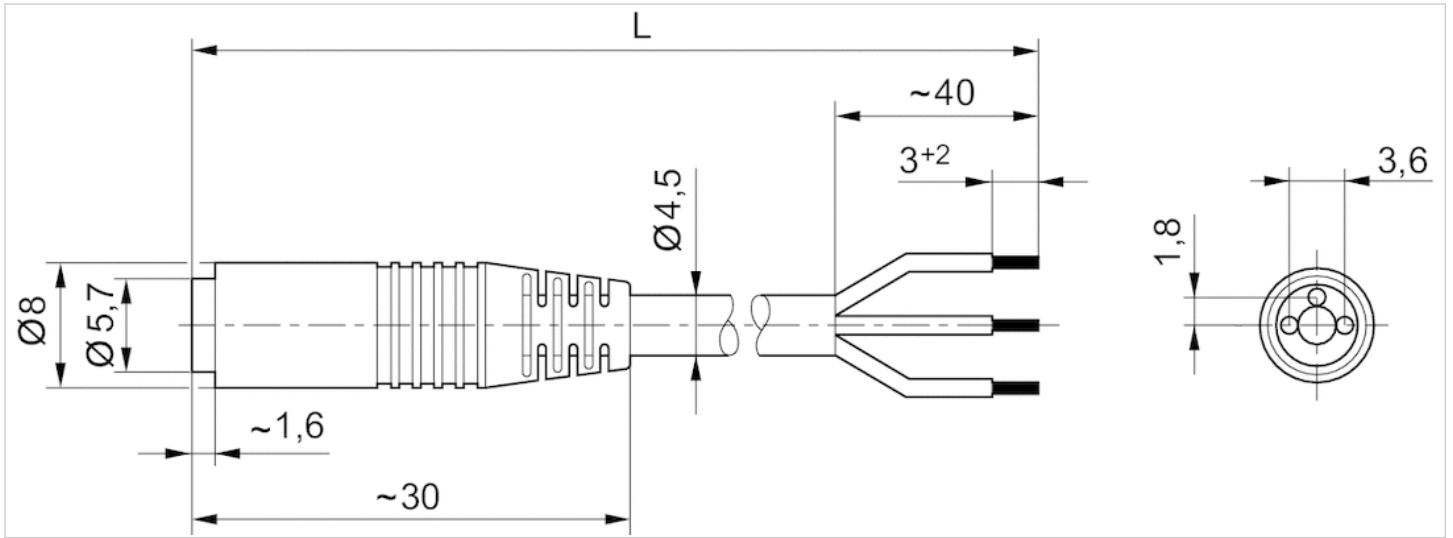
The specified protection class is only valid in assembled and tested state.

Technical information

Material	
Housing	Polyurethane
Cable sheath	Polyurethane

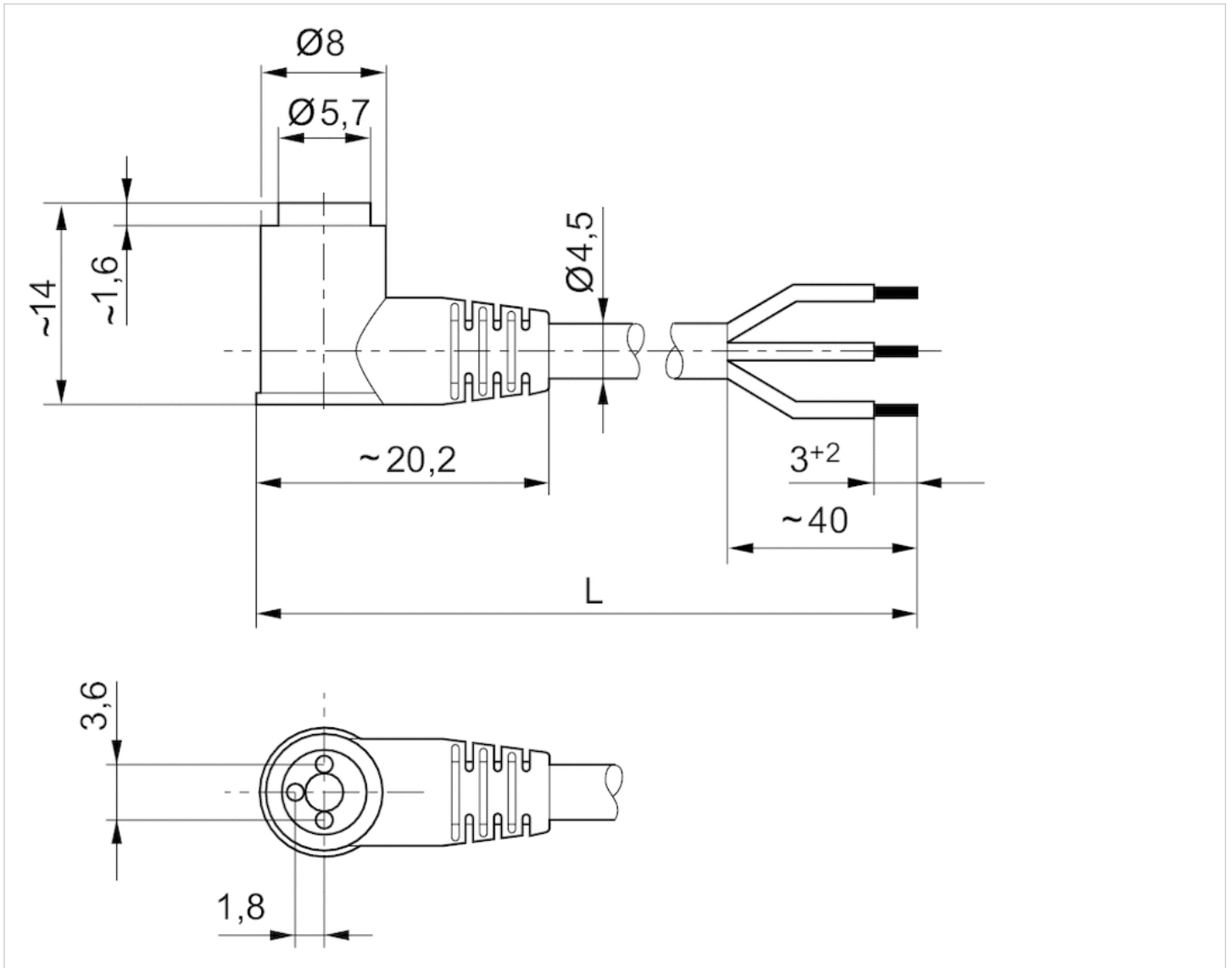
Dimensions

Fig. 1



L = length

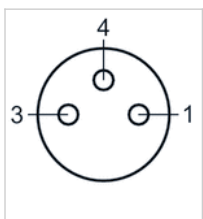
Fig. 2



L = length

Pin assignments

Pin assignment, socket



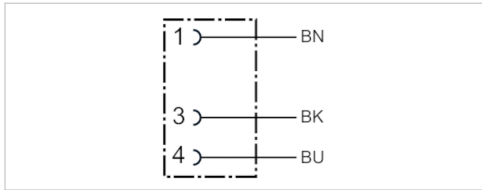
- (1) BN=brown
- (3) BU=blue
- (4) BK=black

Round plug connector, Series CON-RD

- Socket Snap Ø8 3-pin with detent straight 180°
- open cable ends
- with cable
- unshielded



Operational voltage	48 V AC/DC
Protection class	IP65
Wire cross-section	0.25 mm ²
Weight	0.058 kg



Technical data

Part No.	Max. current	Number of wires	Cable-Ø	Cable length
8946016112	3 A	3	4.5 mm	2.5 m

Technical information

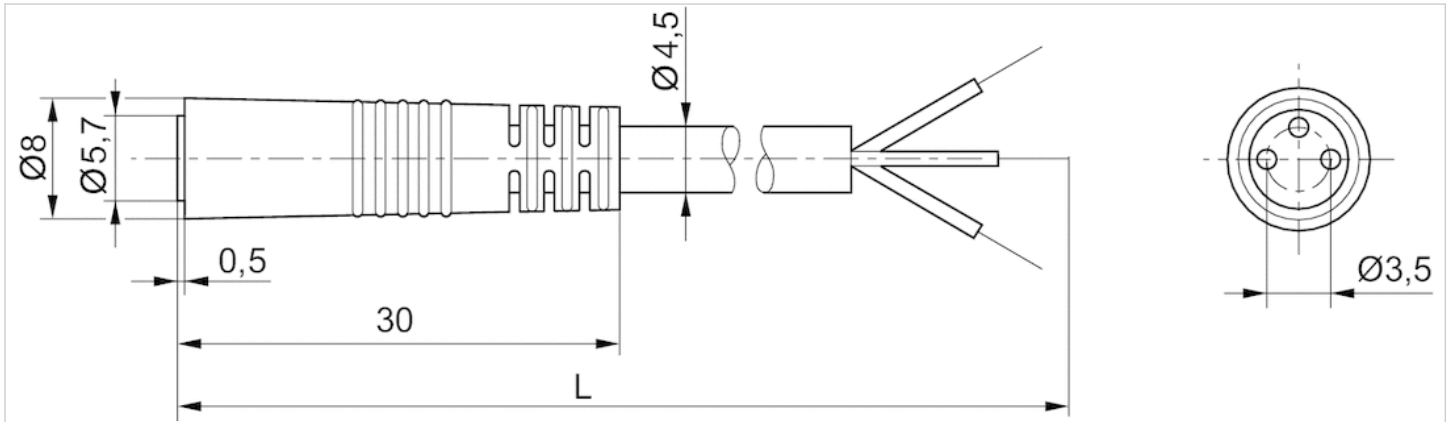
The specified protection class is only valid in assembled and tested state.

Technical information

Material	
Cable sheath	Polyvinyl chloride

Dimensions

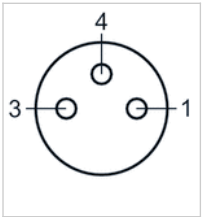
Dimensions



L = length

Pin assignments

Pin assignment, socket



- (1) BN=brown
- (2) BK=black
- (3) BU=blue

Valve plug connector, series CON-VP

- Socket RJ 2-pin straight 180°
- open cable ends
- with cable
- unshielded



Ambient temperature min./max.	0 ... 50 °C
Operational voltage	30 / 36 V AC/DC
Protection class	IP40
Protection class	IP40
Wire cross-section	0.25 mm ²
Weight	0.05 kg

Technical data

Part No.	Number of wires	Cable-Ø	Cable length
1834484253	2	4 mm	3 m

Halogen-free

Technical information

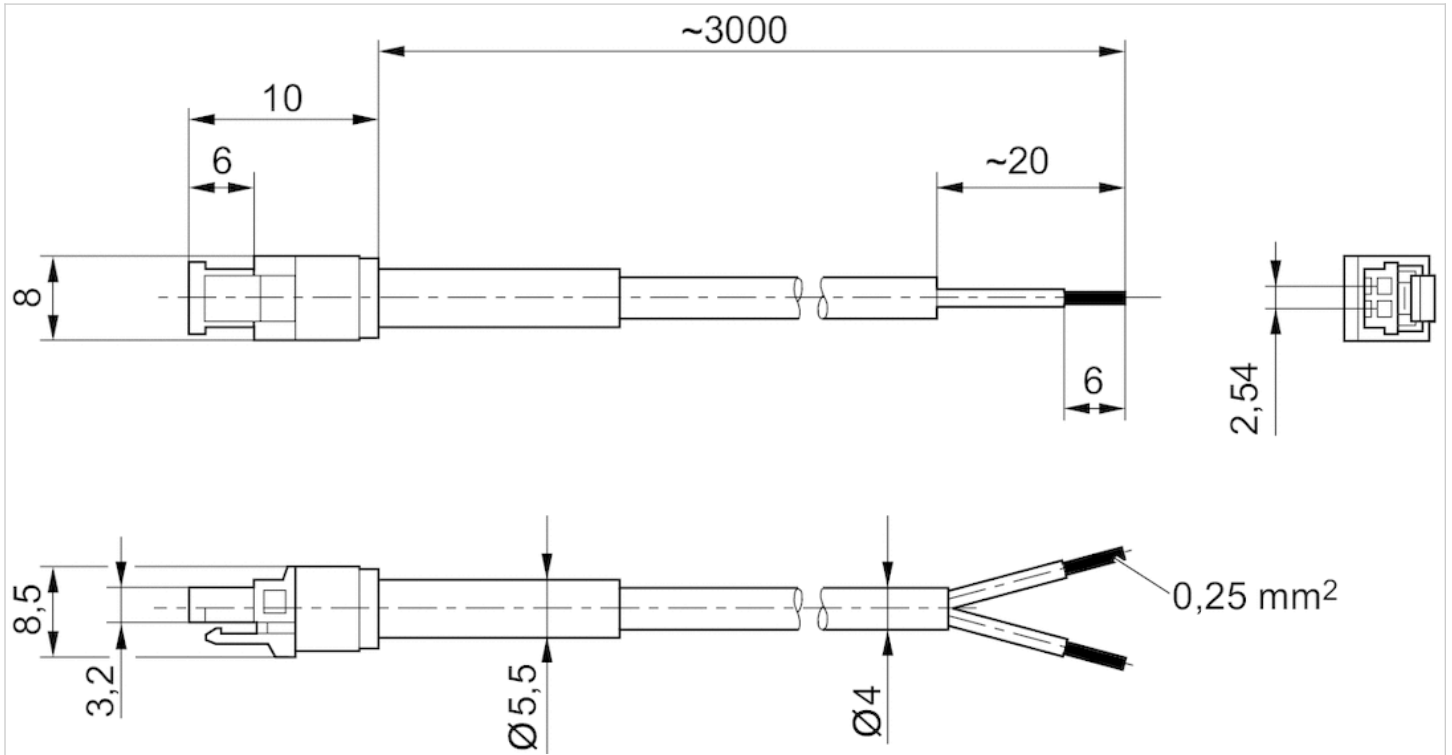
The specified protection class is only valid in assembled and tested state.

Technical information

Material	
Housing	Polyoxymethylene
Cable sheath	Polyurethane

Dimensions

Dimensions



Valve plug connector, series CON-VP

- Socket RJ 2-pin straight 180°
- with cable
- unshielded



Ambient temperature min./max.	0 ... 50 °C
Operational voltage	30 / 36 V AC/DC
Protection class	IP40
Weight	See table below

Technical data

Part No.	Electrical connection	Number of wires	Wire cross-section	Cable sheath	Cable-Ø	Cable length
	2					
1834484265	open cable ends	2	0.25 mm ²	Polyvinyl chloride	4 mm	5 m
1834484266	open cable ends	2	0.25 mm ²	Polyvinyl chloride	4 mm	3 m
1834484267	-	-	-	-	-	-

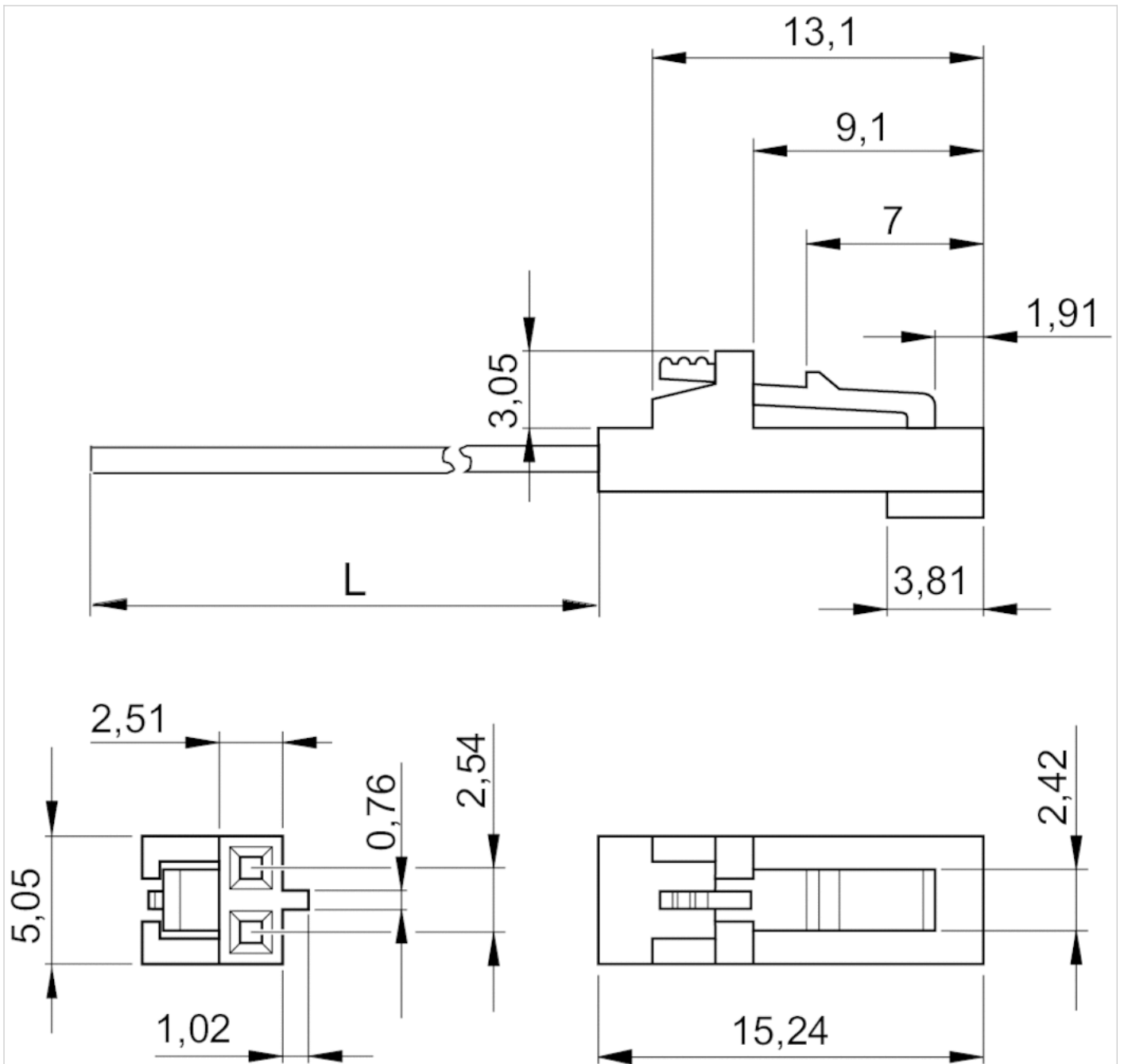
Part No.	Cable	Connection type	Delivery unit	Weight
1834484265	with cable	-	5 piece	0.42 kg
1834484266	with cable	-	1 piece	0.026 kg
1834484267	-	Crimping	10 piece	0.003 kg

Technical information

Material	
Housing	Polyoxymethylene
Cable sheath	Polyvinyl chloride

Dimensions

Dimensions



L = length

Valve plug connector, series CON-VP

- Socket Industrial plug connector 2-pin straight 180°
- with cable
- unshielded



Ambient temperature min./max.	See table below
Operational voltage	48 V AC/DC
Protection class	IP40
Weight	See table below

Technical data

Part No.	Ambient temperature min./max.	Electrical connection
		2
R422003277	-40 ... 80 °C	-
R422003278	-40 ... 80 °C	open cable ends 2-pin
R422003279	-15 ... 80 °C	open cable ends 2-pin
R412024482	-25 ... 80 °C	Plug Industrial plug connector 2-pin straight 180°

Part No.	Number of wires	Wire cross-section	Cable sheath	Cable-Ø	Cable length	Cable
R422003277	-	-	-	-	-	-
R422003278	2	0.25 mm ²	Polyvinyl chloride	1.5 mm	3 m	with cable
R422003279	2	0.25 mm ²	Polyvinyl chloride	1.5 mm	5 m	with cable
R412024482	2	0.25 mm ²	Polyvinyl chloride	1.5 mm	0.6 m	with cable

Part No.	Connection type	Delivery unit	Weight	Fig.	
R422003277	Crimping	10 piece	0.001 kg	Fig. 1	1)
R422003278	-	1 piece	0.026 kg	Fig. 1	-
R422003279	-	1 piece	0.042 kg	Fig. 1	-
R412024482	-	1 piece	0.002 kg	Fig. 2	2)

1) without cable

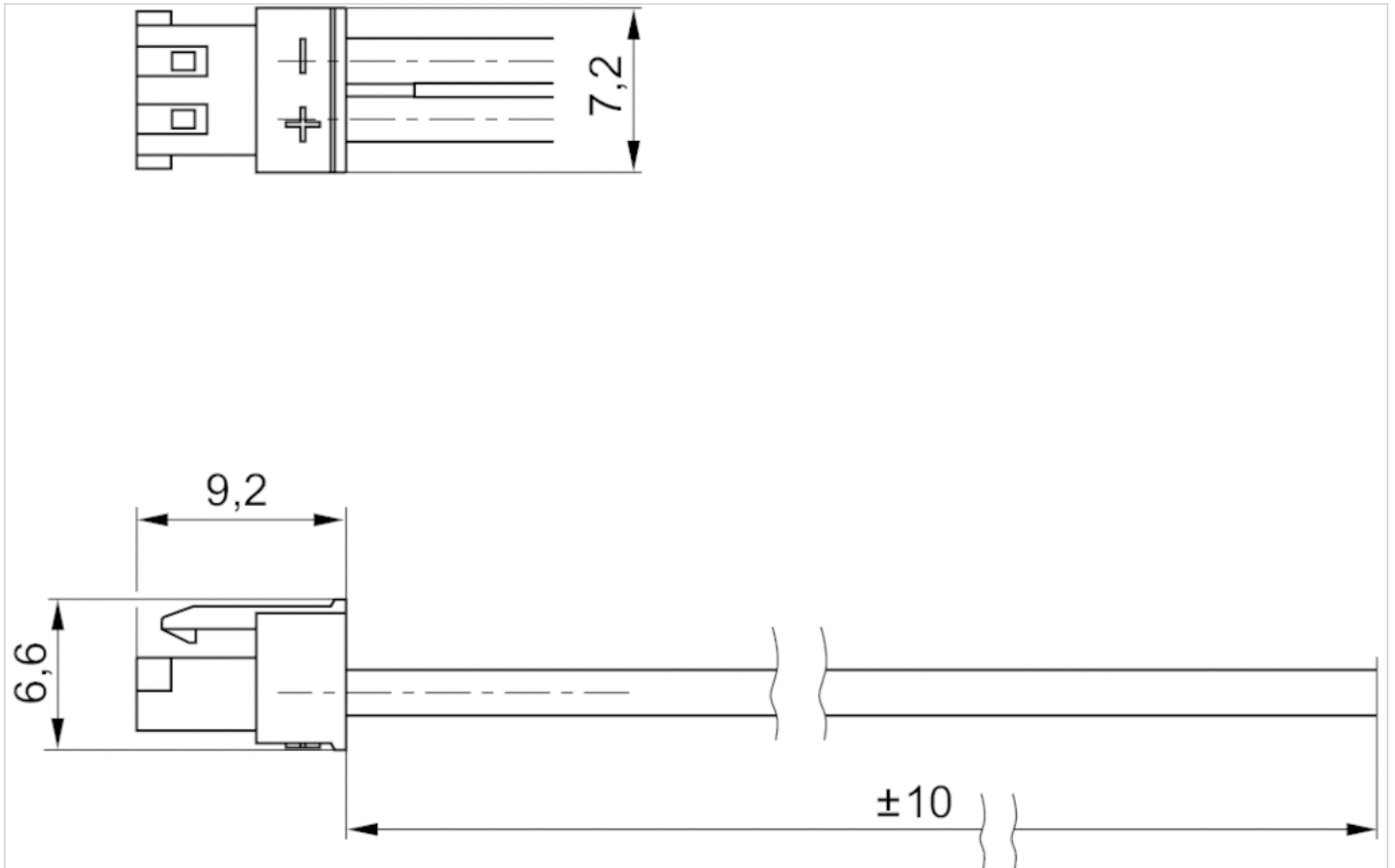
2) Adapter cable for industrial plug-in fittings

Technical information

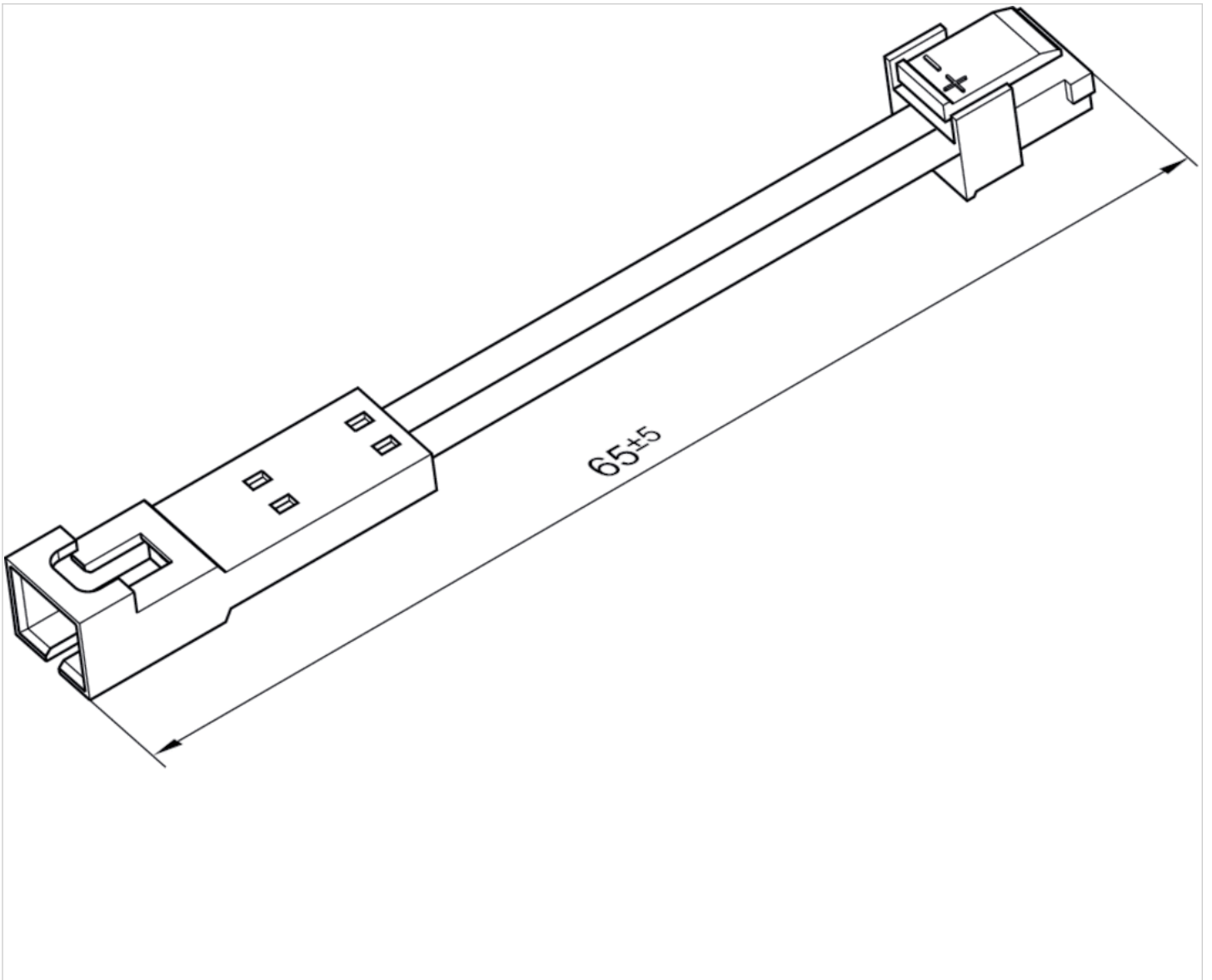
Material	
Cable sheath	Polyvinyl chloride

Dimensions

Dimensions, Fig. 1



Dimensions, Fig. 2



Efficient pneumatic solutions, our program: cylinders and drives, valves and valve systems, air supply management



Visit us: Emerson.com/Aventics

Your local contact: Emerson.com/contactus



Emerson.com



Facebook.com/EmersonAutomationSolutions



LinkedIn.com/company/Emerson-Automation-Solutions



Twitter.com/EMR_Automation

An example configuration is depicted on the title page. The delivered product may thus vary from that in the illustration. Subject to change. This Document, as well as the data, specifications and other information set forth in it, are the exclusive property of AVENTICS GmbH. It may not be reproduced or given to third parties without its consent. Only use the AVENTICS products shown in industrial applications. Read the product documentation completely and carefully before using the product. Observe the applicable regulations and laws of the respective country. When integrating the product into applications, note the system manufacturer's specifications for safe use of the product. The data specified only serve to describe the product. No statements concerning a certain condition or suitability for a certain application can be derived from our information. The information given does not release the user from the obligation of own judgment and verification. It must be remembered that the products are subject to a natural process of wear and aging.

The Emerson logo is a trademark and service mark of Emerson Electric Co. Brand logotype are registered trademarks of one of the Emerson family of companies. All other marks are the property of their respective owners. © 2017 Emerson Electric Co. All rights reserved.
2019-03



CONSIDER IT SOLVED™



青岛秉诚自动化设备有限公司
地址：中国·青岛市重庆南路99号海尔云街甲3号楼7F

服务热线：4006-918-365
网址：<http://www.asco.store>

传真：(86-532)585-10-365
Email：sales@bechinas.com