

## Sensors, Series SN5-X



## AVENTICS™ Sensors, Series SN5-X



青岛秉诚自动化设备有限公司  
地址：中国·青岛市重庆南路99号海尔云街甲3号楼7F

服务热线：4006-918-365  
网址：<http://www.asco.store>

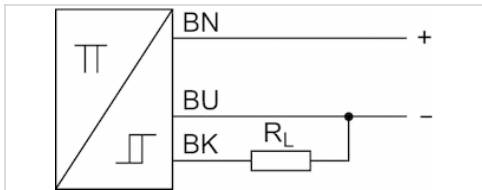
传真：(86-532)585-10-365  
Email：[sales@bechinas.com](mailto:sales@bechinas.com)

# Sensor, Series SN5-X

- 3-pin
- welding-proof
- With stretched impulse
- Sensor responds to ferromagnetic material., welding-proof, With stretched impulse
- electronic PNP
- Indirect mounting for series TRB, ITS



Ambient temperature min./max.	-10 ... 70 °C
Protection class	IP65
Nominal current, actuated state	25 mA
Quiescent current (without load)	14 mA
LED status display	See table below
Weight	0.05 kg



## Technical data

Part No.	Type of contact	Voltage drop U at I <sub>max</sub>	LED status display
0830100500	electronic PNP	≤ 2,0 V	Red
0830100502	electronic PNP	≤ 2,0 V	Red Green

Part No.	Version	Switch signal	welding-proof
0830100500	Protected against polarity reversal	With stretched impulse	welding-proof
0830100502	Protected against polarity reversal	With stretched impulse	welding-proof

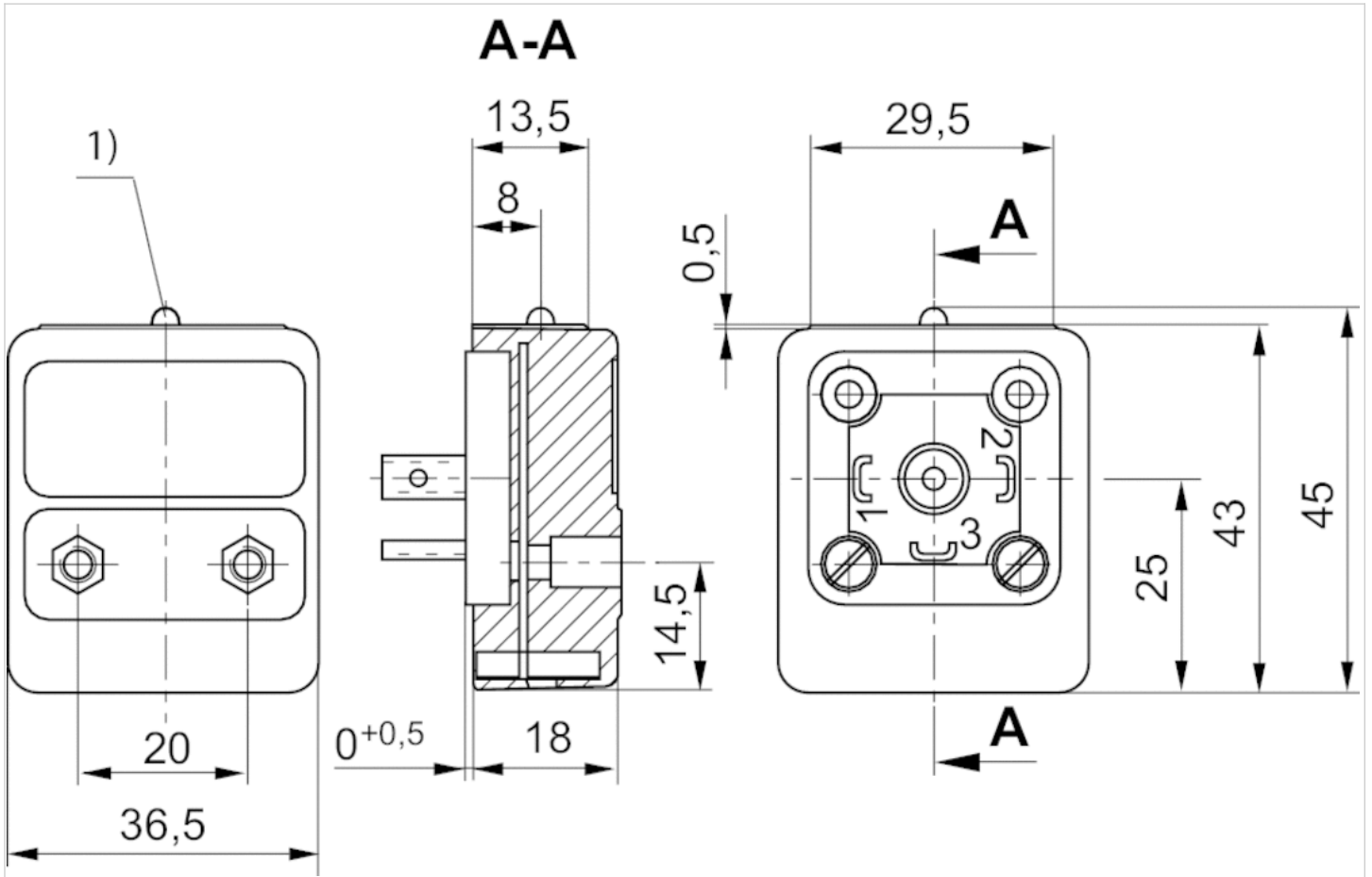
## Technical information

Sensor responds to ferromagnetic material.

## Technical information

Material	
Housing	epoxy resin

Dimensions



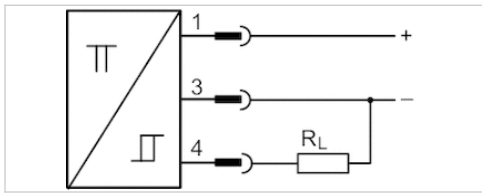
1) LED

# Sensor, Series SN5-X

- Socket, M12, 3-pin
- With stretched impulse Time delay
- Sensor responds to ferromagnetic material., Time delay, With stretched impulse
- electronic PNP
- Indirect mounting for series TRB, ITS



Ambient temperature min./max.	-10 ... 70 °C
Protection class	IP67
Switching point precision	±0,1 mT
Nominal current, actuated state	25 mA
Quiescent current (without load)	14 mA
Min./max. DC operating voltage	15 ... 30 V DC
Display	LED
LED status display	See table below



## Technical data

Part No.	Type of contact	Voltage drop U at I <sub>max</sub>	DC switching current, max.
0830100525	electronic PNP	≤ 2,0 V	0.2 A
0830100534	electronic PNP	≤ 2,0 V	0.2 A

Part No.	LED status display	Version
0830100525	Yellow	Protected against polarity reversal
0830100534	Yellow Green	short circuit resistant Protected against polarity reversal

Part No.	Switch signal	
0830100525	With stretched impulse	-
0830100534	Time delay	1)

1) Delivery incl. protective cap 1823317014

## Technical information

Sensor responds to ferromagnetic material.

## Technical information

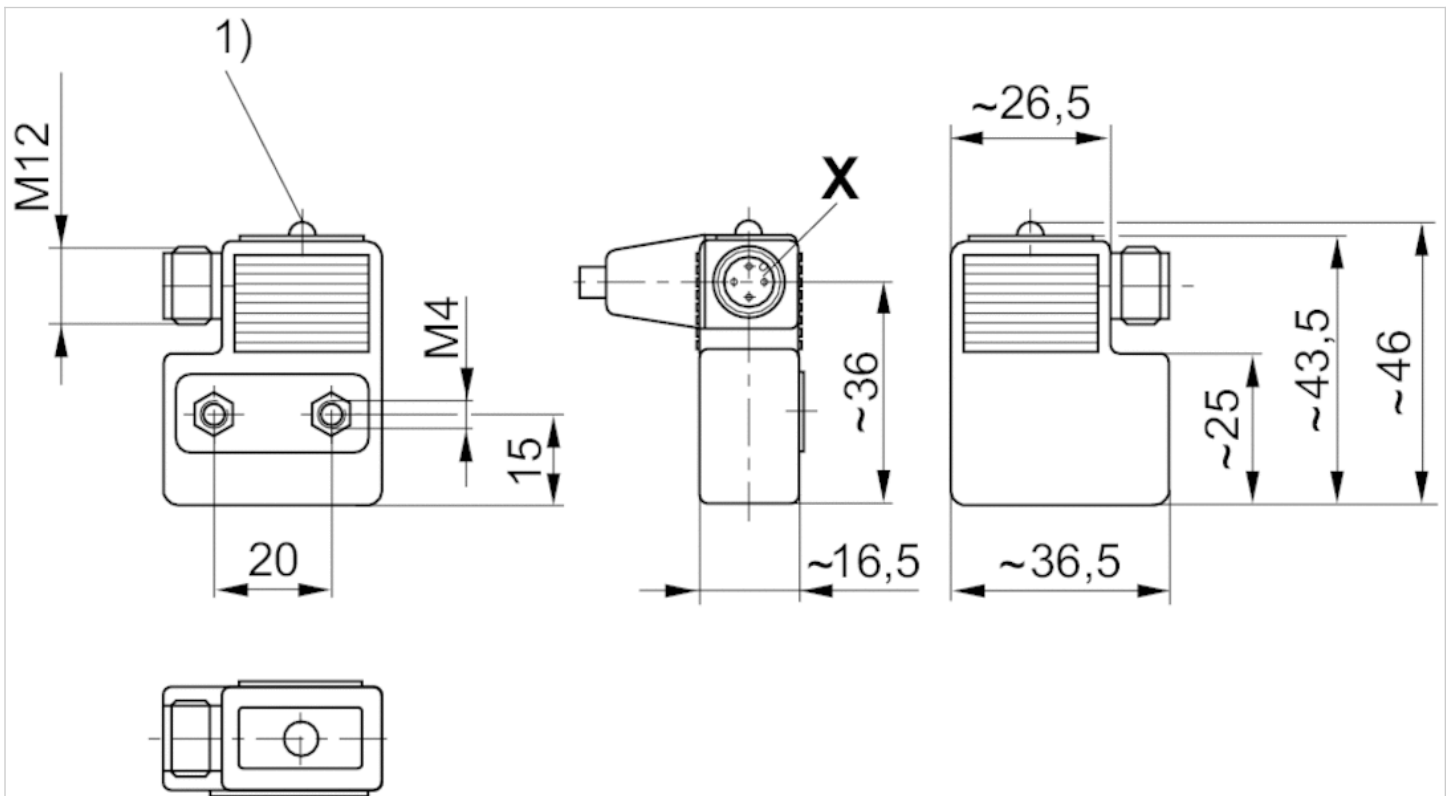
Material

Housing

epoxy resin

## Dimensions

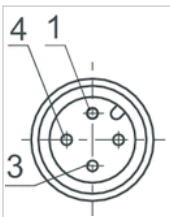
### Dimensions



1) LED

## Pin assignments

### Pin assignments



Pin	1	3	4
Allocation	(+)	(-)	(OUT)

# Sensor mounting, Series CB1

- for series SN5-X

- to mount on cylinder TRB



Weight

See table below

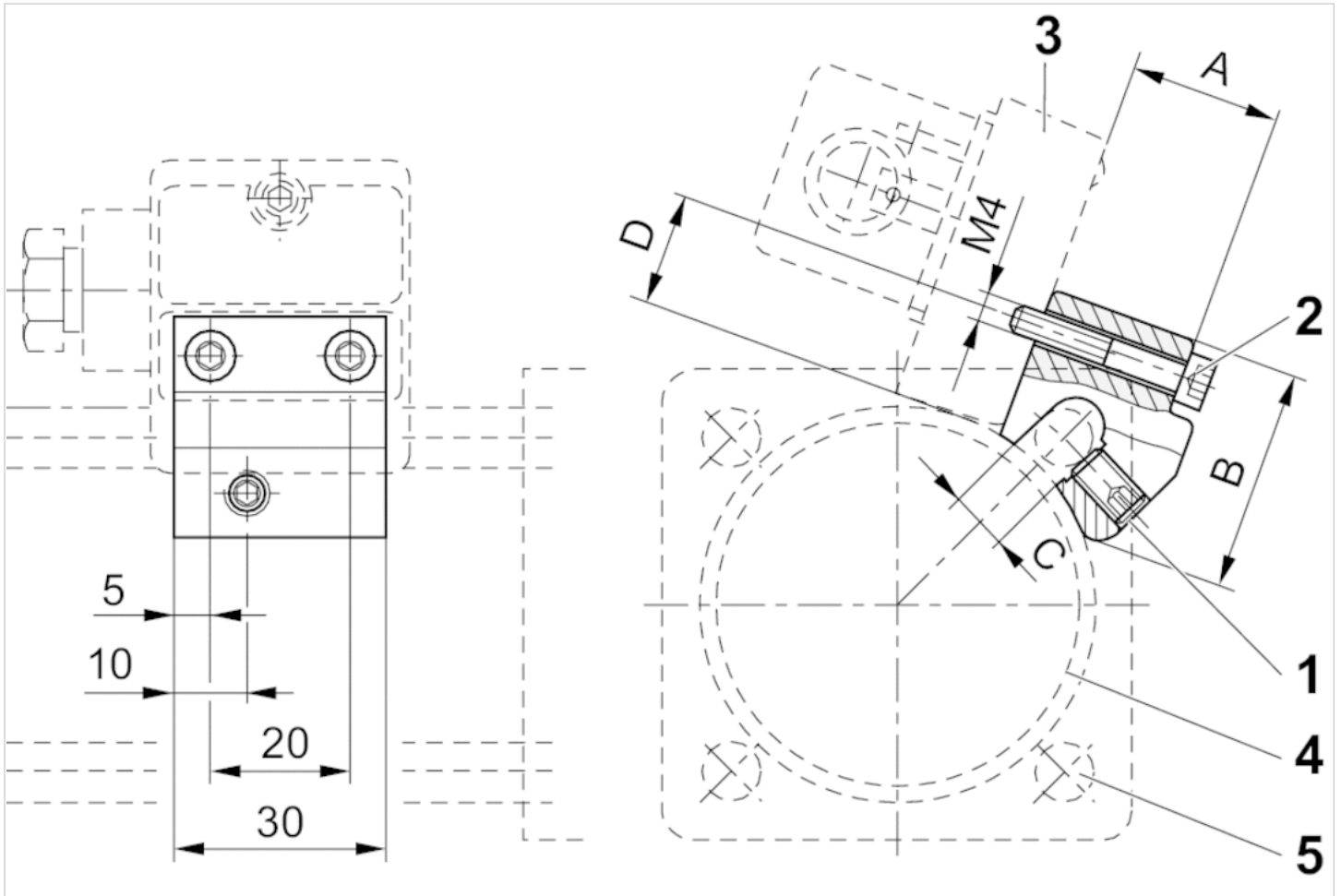
## Technical data

Part No.	Cylinders Ø		for series	Weight
	min.	max.		
1827020056	32 mm	40 mm	SN5-X	0.03 kg
1827020057	50 mm	63 mm	SN5-X	0.035 kg
1827020058	80 mm	100 mm	SN5-X	0.4 kg

## Technical information

Material	
	Aluminum

## Dimensions



1) Clamping threaded pin 2) Mounting screw for sensor 3) Sensor 4) Cylinder profile 5) Tie rod

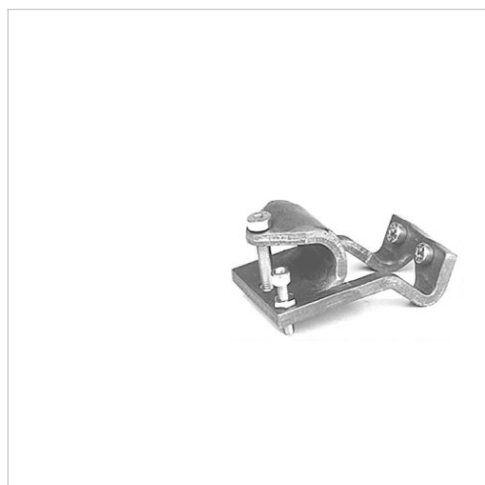
## Dimensions

Part No.	A	B	C	D	SW
1827020056	19.5	30	6	15	3
1827020057	24.5	30	8	15	3
1827020058	29.5	31	10	15	3

# Sensor mounting, Series CB1

- for series SN5-X

- to mount on cylinder TRB, ITS



Weight

See table below

## Technical data

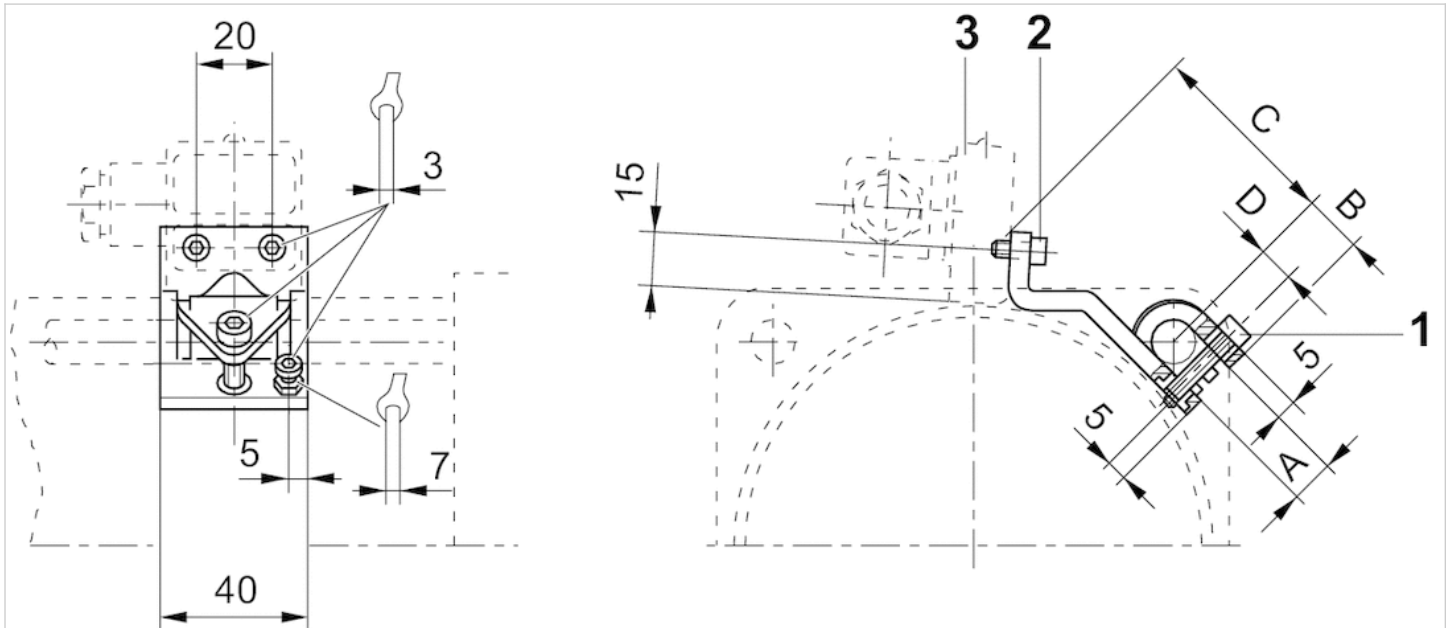
Part No.	Cylinders Ø		for series	Weight
	min.	max.		
1827020076	3175 mm	125 mm	SN5-X	0.075 kg
1827020077	160 mm	200 mm	SN5-X	0.083 kg
1827020078	6350 mm	250 mm	SN5-X	0.094 kg

## Technical information

Material	
	Aluminum



## Dimensions



1) Mounting screw 2) Mounting screw for sensor 3) Sensor

## Dimensions

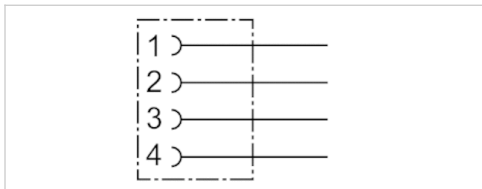
Part No.	A +0,5	B ±1	C ±2	D
1827020076	12	15	54	9
1827020077	16	17	53	11
1827020078	20	19	60	13

# Round plug connector, Series CON-RD

- Socket, M12x1, 4-pin, A-coded, straight, 180°
- UL (Underwriters Laboratories)
- unshielded



Connection type	Screws
Ambient temperature min./max.	-40 ... 85 °C
Operational voltage	48 V AC/DC
Protection class	IP67
Weight	0.015 kg



## Technical data

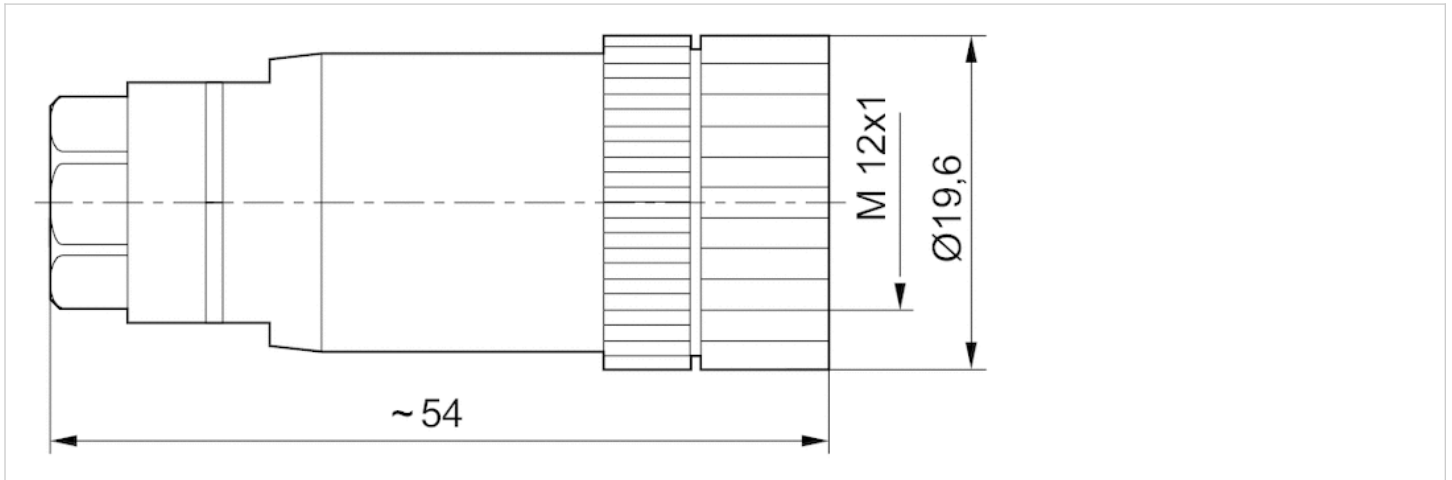
Part No.	Max. current	suitable cable-Ø min./max
1834484177	4 A	4 / 6 mm

## Technical information

Material	
Housing	Polyamide

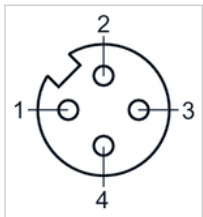
## Dimensions

### Dimensions



## Pin assignments

### Pin assignment, socket

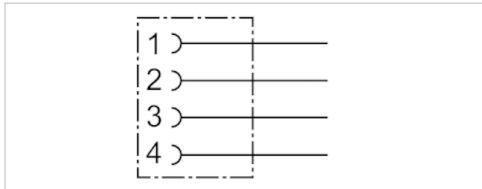


# Round plug connector, Series CON-RD

- Socket, M12x1, 4-pin, A-coded, angled, 90°
- unshielded



Connection type	Screws
Ambient temperature min./max.	-40 ... 85 °C
Operational voltage	48 V AC/DC
Protection class	IP67
Weight	0.016 kg



## Technical data

Part No.	Max. current	suitable cable-Ø min./max
1834484178	4 A	4 mm

## Technical information

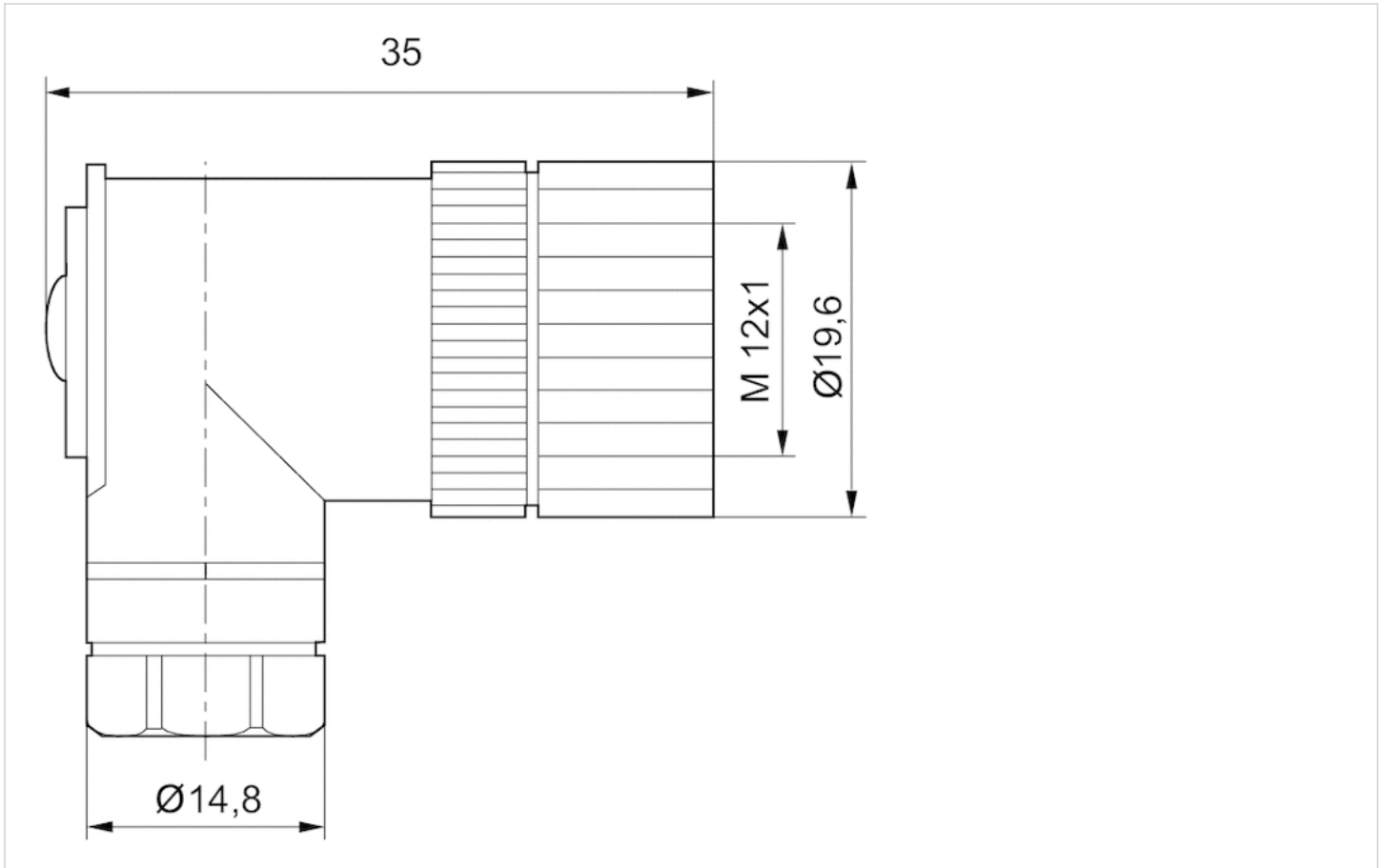
The specified protection class is only valid in assembled and tested state.

## Technical information

Material	
Housing	Polyamide

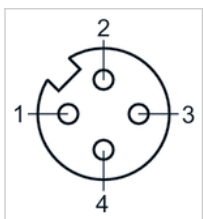
## Dimensions

### Dimensions



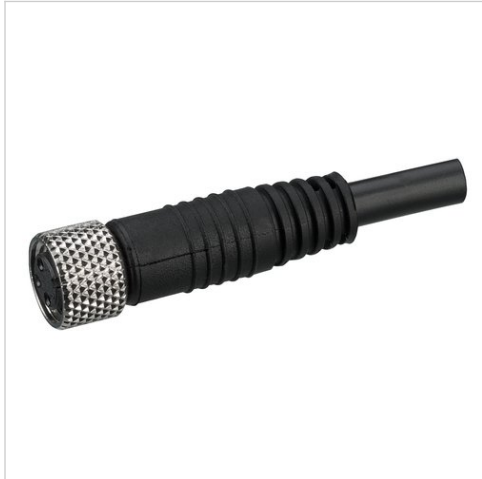
## Pin assignments

### Pin assignment, socket

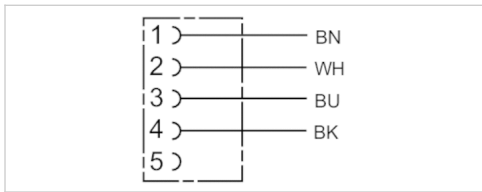


# Round plug connector, Series CON-RD

- Socket M12x1 5-pin A-coded straight 180°
- open cable ends
- with cable
- unshielded



Ambient temperature min./max.	-25 ... 70 °C
Operational voltage	48 V AC/DC
Protection class	IP67
Wire cross-section	0.34 mm <sup>2</sup>
Weight	See table below



## Technical data

Part No.	Max. current	Number of wires	Cable-Ø	Cable length	Weight
1834484256	4 A	4	5.2 mm	3 m	0.122 kg
1834484257	4 A	4	5.2 mm	5 m	0.194 kg
1834484258	4 A	4	5.2 mm	10 m	0.373 kg

## Technical information

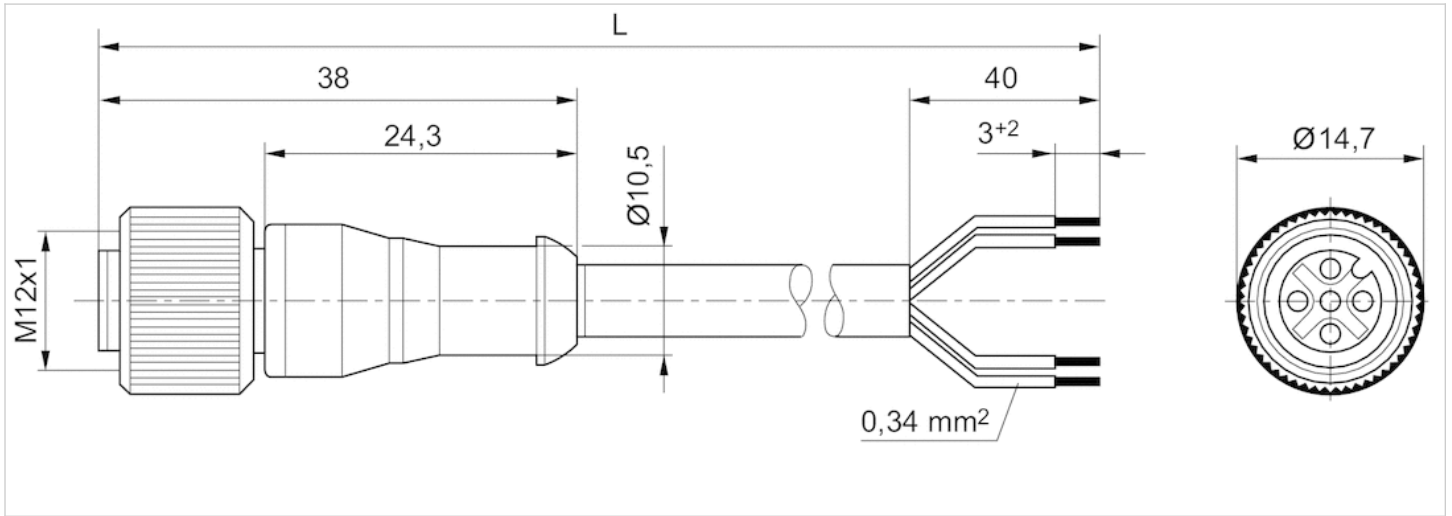
The specified protection class is only valid in assembled and tested state.

## Technical information

Material	
Cable sheath	Polyurethane

## Dimensions

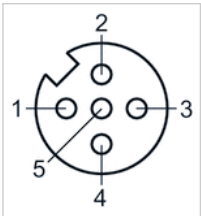
### Dimensions



L = length

## Pin assignments

### Pin assignment, socket



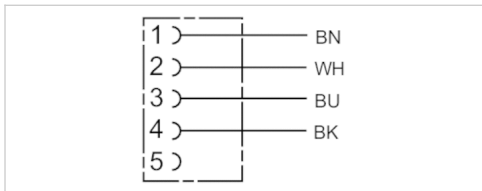
- (1) BN=brown
- (2) WH=white
- (3) BU=blue
- (4) BK=black
- (5) not assigned

# Round plug connector, Series CON-RD

- Socket M12x1 5-pin A-coded angled 90°
- open cable ends
- for DeviceNet
- with cable
- unshielded



Ambient temperature min./max.	-40 ... 85 °C
Operational voltage	48 V AC/DC
Protection class	IP65
Wire cross-section	0.34 mm <sup>2</sup>
Weight	See table below



## Technical data

Part No.	Max. current	Number of wires	Cable-Ø	Cable length	Weight
1834484259	4 A	4	5.2 mm	3 m	0.126 kg
1834484260	4 A	4	5.2 mm	5 m	0.195 kg
1834484261	4 A	4	5.2 mm	10 m	0.38 kg

## Technical information

The specified protection class is only valid in assembled and tested state.

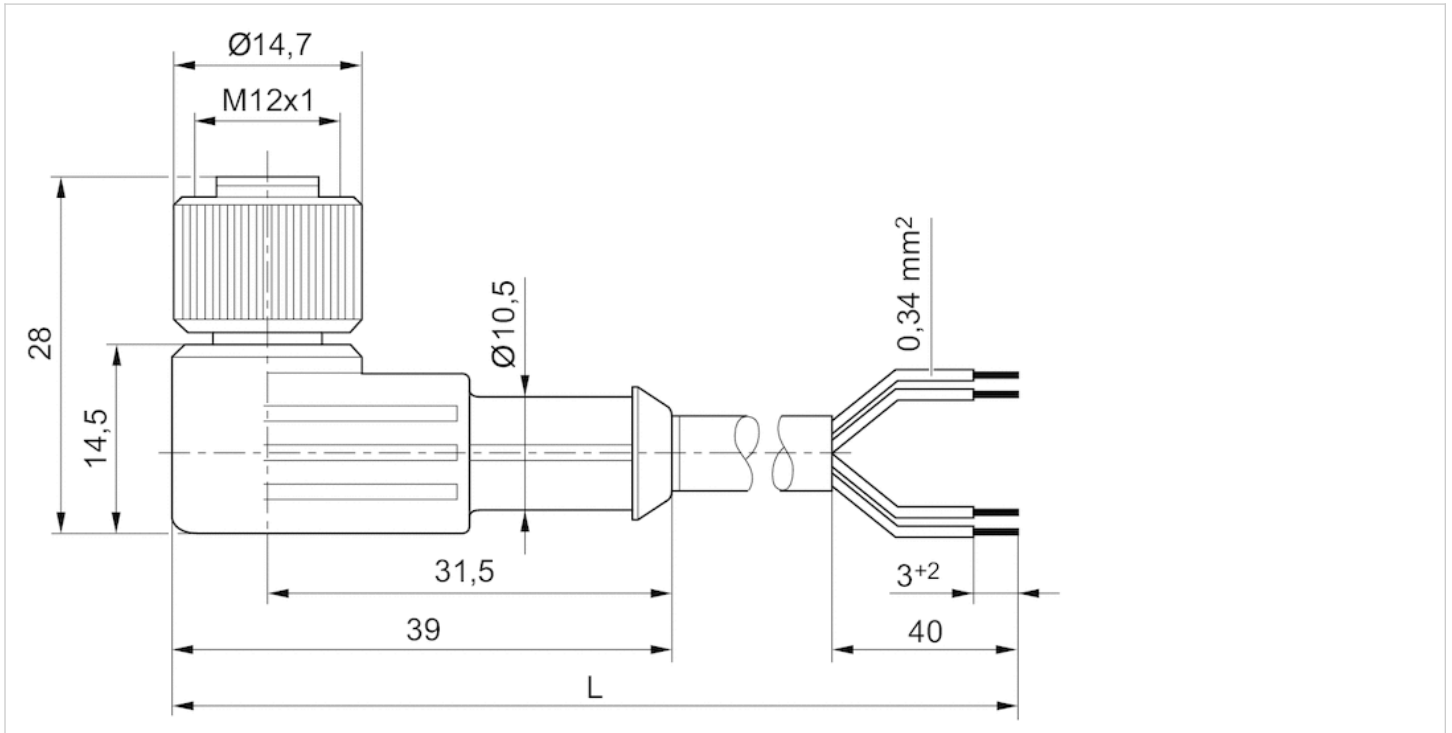
## Technical information

Material	
Cable sheath	Polyurethane



## Dimensions

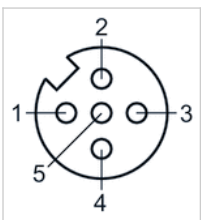
### Dimensions



L = length

## Pin assignments

### Pin assignment, socket



- (1) BN=brown
- (2) WH=white
- (3) BU=blue
- (4) BK=black
- (5) not assigned

# Valve plug connector, series CON-VP

- Socket form A 2+E angled 90°
- open cable ends 3-pin
- with cable
- unshielded



Ambient temperature min./max.	-20 ... 80 °C
Operational voltage	230 V AC/DC
Protection class	IP67
Wire cross-section	0.75 mm <sup>2</sup>
Mounting screw tightening torque	0.4 Nm
Weight	0.2 kg



## Technical data

Part No.	Contact assignment	Number of wires	Cable-Ø	Cable length	Fig.
1834484160	2+E	3	5.9 mm	3 m	Fig. 1

Scope of delivery incl. flat gasket

## Technical information

The specified protection class is only valid in assembled and tested state.

## Technical information

Material	
Seals	caoutchouc/butadiene caoutchouc
Cable sheath	Polyvinyl chloride

# Dimensions

Fig. 1

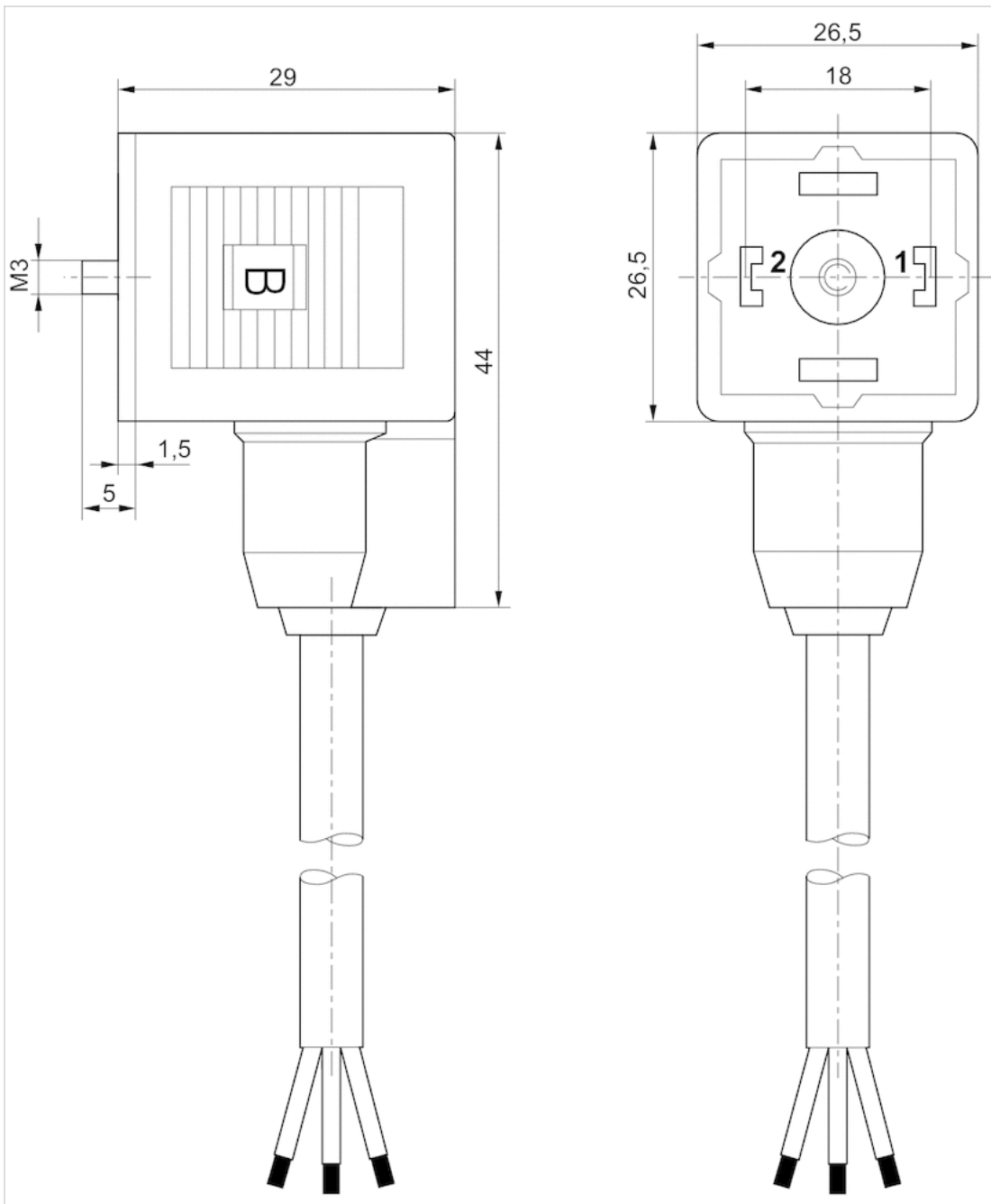
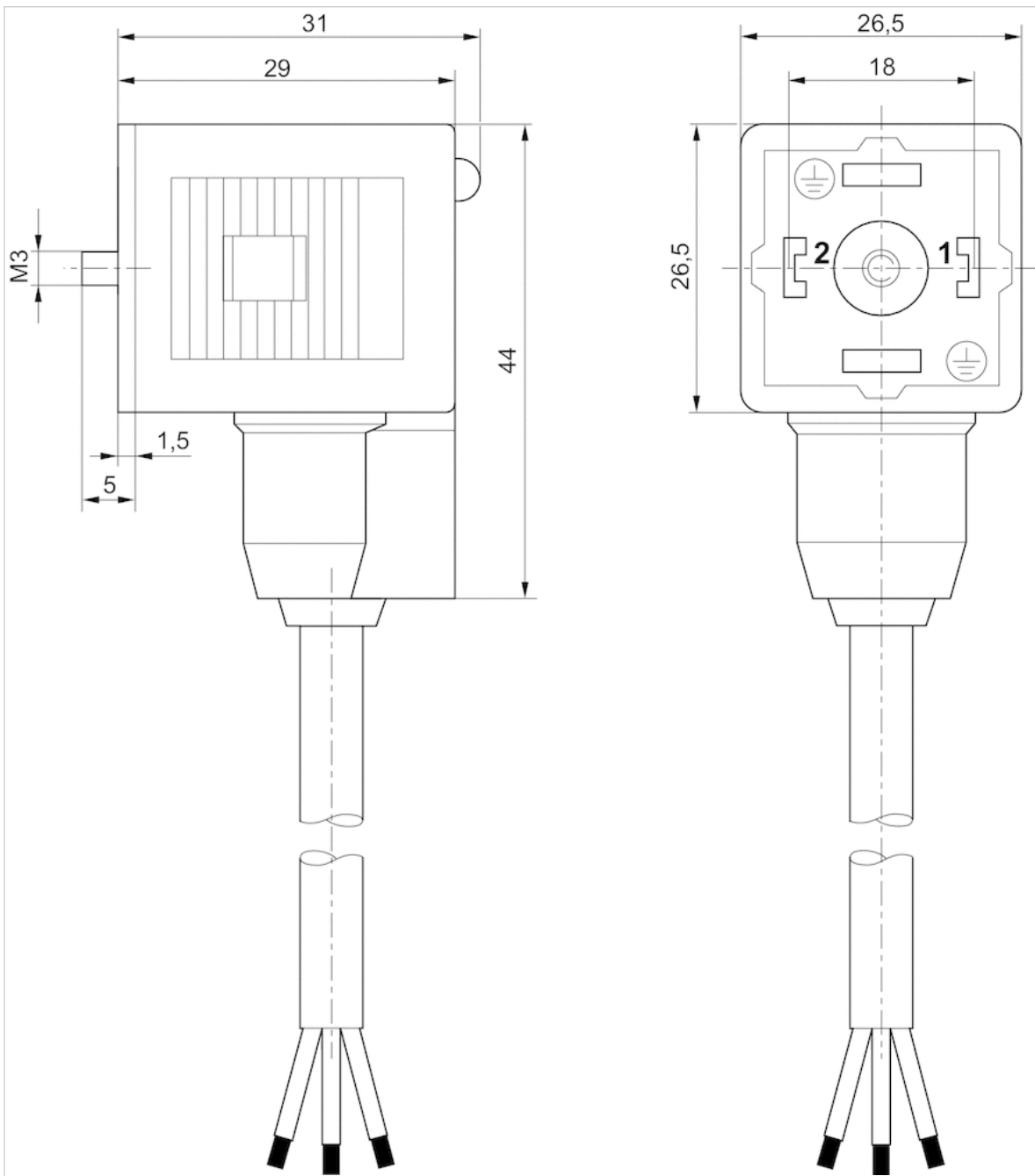


Fig. 2



# Valve plug connector, series CON-VP

- Socket, 3+E, angled, 90°
- EN 175301-803
- unshielded



Connection type	Screws
Ambient temperature min./max.	-40 ... 90 °C
Protection class	IP65
Mounting screw tightening torque	0.4 Nm
Weight	0.03 kg



## Technical data

Part No.	Max. current	Contact assignment	suitable cable-Ø min./max
1834484059	10 A	3+E	6 / 8 mm

Profile seal

## Technical information

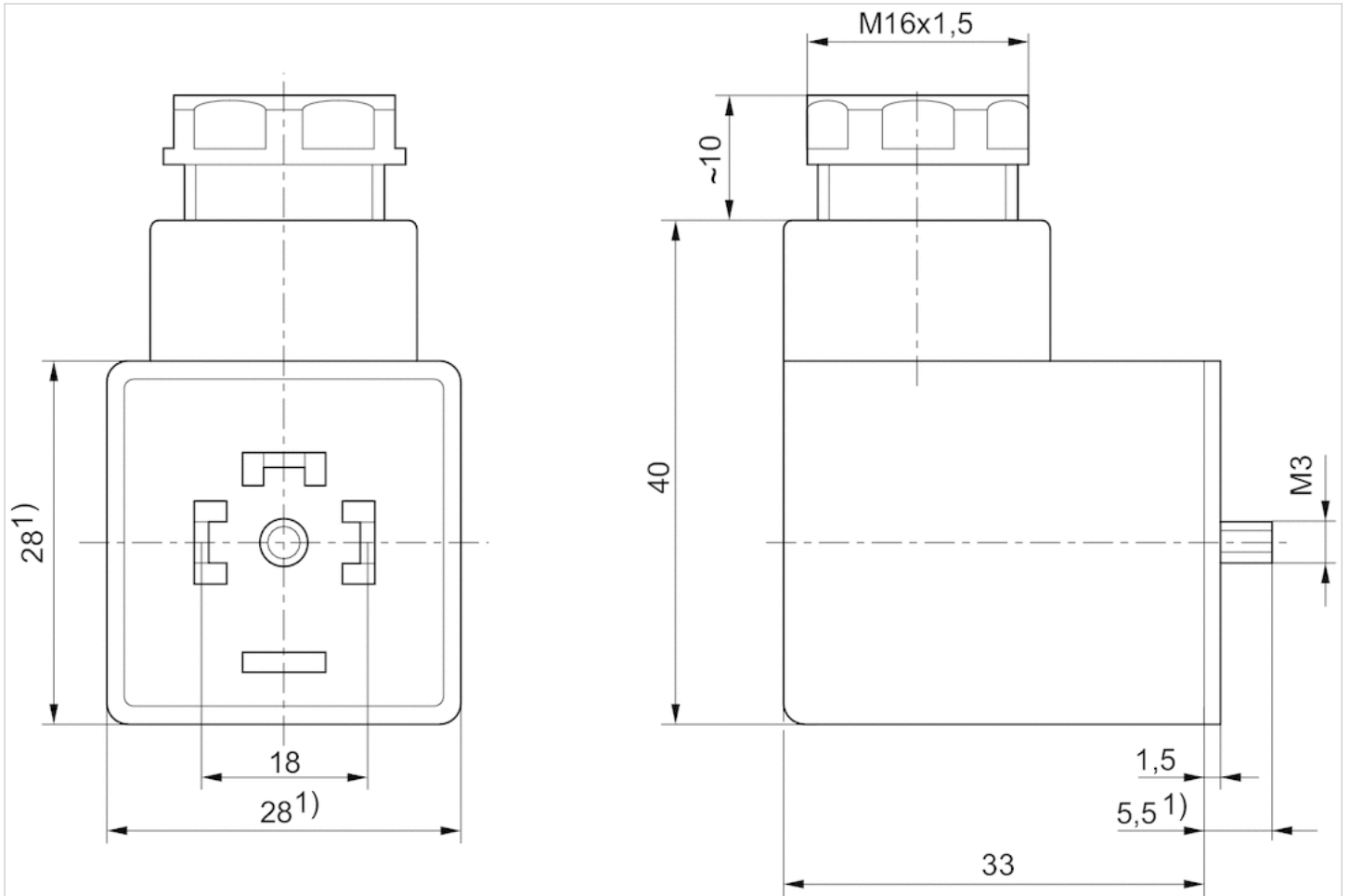
The specified protection class is only valid in assembled and tested state.

## Technical information

Material	
Seals	caoutchouc/butadiene caoutchouc

## Dimensions

### Dimensions



1) Max.

# Efficient pneumatic solutions, our program: cylinders and drives, valves and valve systems, air supply management



Visit us: [Emerson.com/Aventics](http://Emerson.com/Aventics)

Your local contact: [Emerson.com/contactus](http://Emerson.com/contactus)



[Emerson.com](http://Emerson.com)



[Facebook.com/EmersonAutomationSolutions](https://Facebook.com/EmersonAutomationSolutions)



[LinkedIn.com/company/Emerson-Automation-Solutions](https://LinkedIn.com/company/Emerson-Automation-Solutions)



[Twitter.com/EMR\\_Automation](https://Twitter.com/EMR_Automation)

An example configuration is depicted on the title page. The delivered product may thus vary from that in the illustration. Subject to change. This Document, as well as the data, specifications and other information set forth in it, are the exclusive property of AVENTICS GmbH. It may not be reproduced or given to third parties without its consent. Only use the AVENTICS products shown in industrial applications. Read the product documentation completely and carefully before using the product. Observe the applicable regulations and laws of the respective country. When integrating the product into applications, note the system manufacturer's specifications for safe use of the product. The data specified only serve to describe the product. No statements concerning a certain condition or suitability for a certain application can be derived from our information. The information given does not release the user from the obligation of own judgment and verification. It must be remembered that the products are subject to a natural process of wear and aging.

The Emerson logo is a trademark and service mark of Emerson Electric Co. Brand logotype are registered trademarks of one of the Emerson family of companies. All other marks are the property of their respective owners. © 2017 Emerson Electric Co. All rights reserved.  
2019-03



## CONSIDER IT SOLVED™



青岛秉诚自动化设备有限公司  
地址：中国·青岛市重庆南路99号海尔云街甲3号楼7F

服务热线：4006-918-365  
网址：<http://www.asco.store>

传真：(86-532)585-10-365  
Email：[sales@bechinas.com](mailto:sales@bechinas.com)