

# Sequencers for Dust Collector Systems

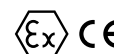
without internal  $\Delta P$  pressure sensor for the control of up to 48 solenoid valves



Series  
E909PB

## Features

- Electronic controller for the control of solenoid valves in dust collector systems
- ON/OFF filter cleaning cycle from external switch
- Microprocessor management
- Supply and output voltage selectable via jumper
- 3 programming keys
- 3 digit LED display
- Adjustable pulse and interval times
- Automatic detection of number of valves
- Additional post-cleaning cycle mode
- High immunity from external interference
- Short-circuit protection of every single output
- 1 output relay (e.g. group alarm), 2 digital inputs (volt-free)



## Construction

<b>Housing</b>	ABS (acryl nitrile butadiene styrene), grey
<b>Cover</b>	PC (polycarbonate), transparent

## Electrical Characteristics

<b>Standard supply voltage</b>	AC (~) 230/115 V	
<b>Output voltage</b>	DC (=) 24 V	
Other voltages on request		
<b>max. load power per output</b>	<b>ambient temperature</b>	<b>electrical enclosure protection</b>
<b>(W)</b>	<b>(°C)</b>	
25	-10 to 50	IP65

## Specifications

Number of solenoid valves	Adjustable pulse time	Adjustable interval time	Size	Catalogue number
	sec.	sec.		
4	0,05 – 5,0	1 – 999	1	E909PB4MU1.3
8				E909PB8MU1.3
12				E909PB12MU1.3
16				E909PB16MU1.3
24			2	E909PB24MU1.5
32			E909PB32MU1.5	
40			3	E909PB40MU7.5
48			E909PB48MU7.5	

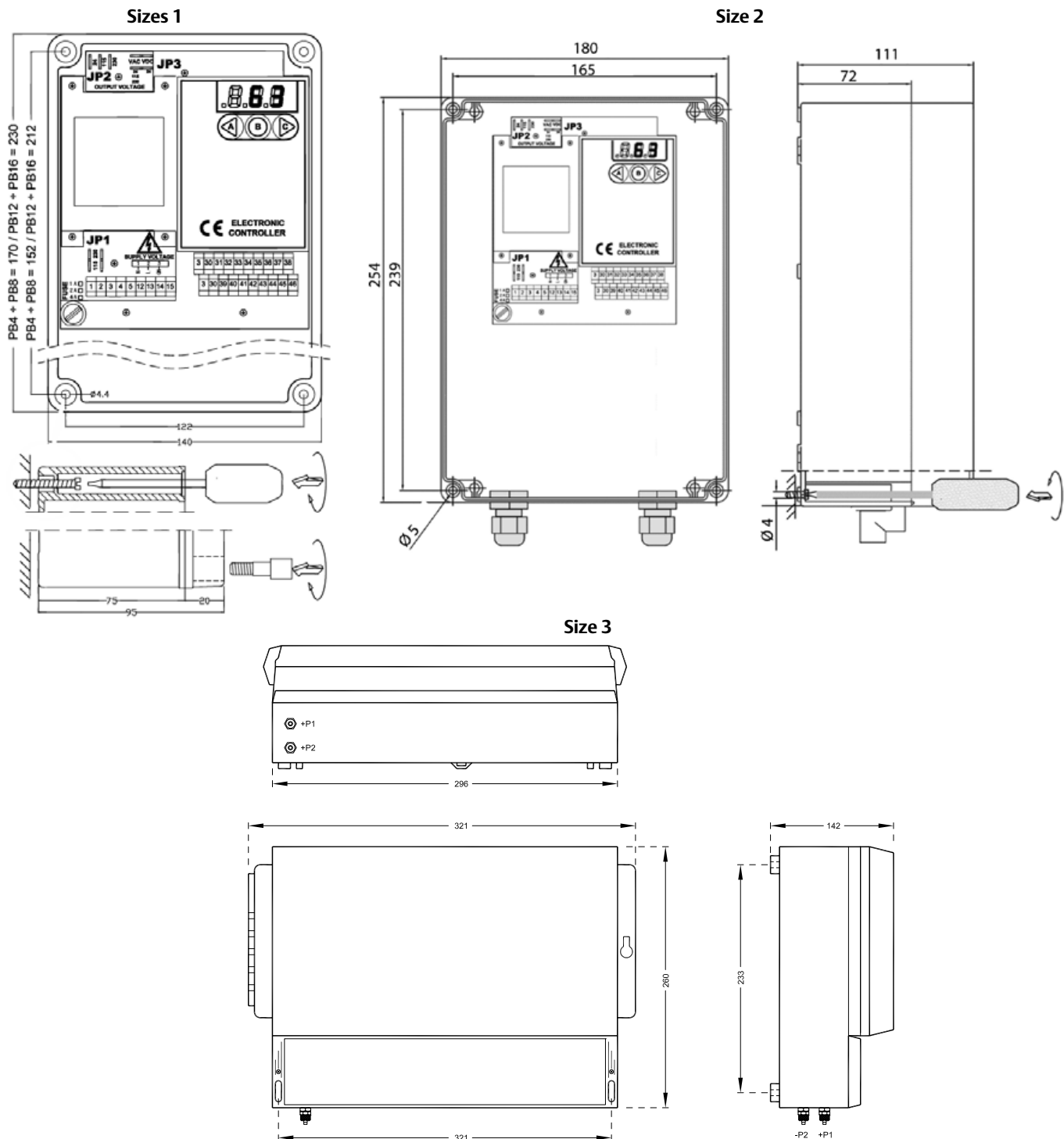
## Options (on request)

- Other voltage ratings, other housings and devices with ATEX approval

## Installation

- Installation/maintenance instructions are included with each sequencer

## Dimensions (mm), Weights



# Sequencers for Dust Collector Systems

without internal  $\Delta P$  pressure sensor for the control of up to 48 solenoid valves

Series  
E909PB

## Wiring diagram

