

Features

- 2-way normally closed operation
- For control of commercial and industrial gas burners
- Ideal for low pressure applications
- Brass body construction
- Mountable in any position

Fluid

Fuel Gas

Construction

| Valve Parts in Contact with Fluids | |
|------------------------------------|----------------------|
| Body | Brass |
| Seals and Disc | NBR |
| Core Tube | 305 Stainless Steel |
| Core Guide | Acetal |
| Rider Rings | PTFE |
| Core and Plugnut | 430F Stainless Steel |
| Springs | 302 Stainless Steel |
| Shading Coil | Copper |

Electrical

| Standard Coil and Class of Insulation | Watt Rating and Power Consumption | | | Ambient Temp. °F | Spare Coil Family | |
|---------------------------------------|-----------------------------------|------------|-----------|------------------|-------------------|----------------|
| | AC | | | | General Purpose | Explosionproof |
| | Watts | VA Holding | VA Inrush | | AC | AC |
| F | 10.1 | 25 | 70 | 32 to 125 | 238610 | 238614 |
| H | 10.1 | 25 | 70 | 32 to 140 | 238810 | 238814 |

Standard Voltages: 24, 120, 240 volts AC, 60 Hz (or 110, 220 volts AC, 50 Hz).
Optional High Ambient Temp: 140°F Class H coil with prefix HT.

Solenoid Enclosures

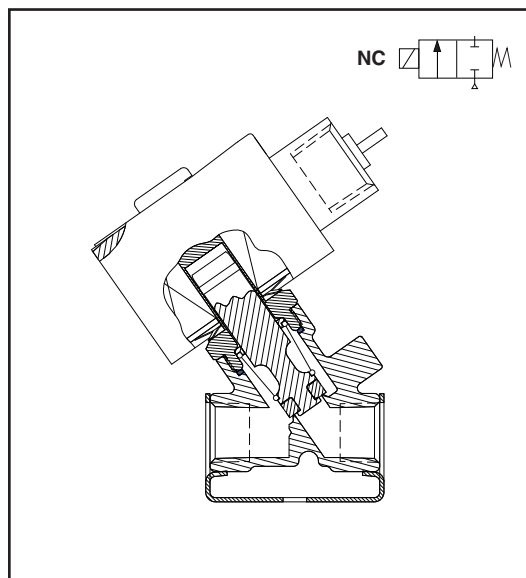
Standard: Watertight, Types 1, 2, 3, 3S, 4, and 4X with 1/2" conduit hub.

Optional: RedHat II - Explosionproof and Watertight. To order, add Prefix "EF" to catalog numbers. (e.g. EF8030G068)

Valve Response Time

Opening Time: Less than 1 second

Closing Time: Less than 1 second



Approvals

UL listed to standard 429 "Electrically Operated Valves," Guide Y10Z, File MP618, Safety Valves.

FM approved to Class No. 7400 "Liquid and Gas Safety Shutoff Valves."

CSA Certified to:

- 1) Standard C22.2 No 139 "Electrically Operated Valves," File 010381.
- 2) Automatic Gas Valves Z21.21 (6.5), File 112872.

COMBUSTION

Specifications English units (Metric units)

| Pipe Size in | Orifice Size in (mm) | Flow Factor Cv (Kv) | Gas Capacity ① | | Operating Pressure Differential psi (bar) | | Max. Fluid Temp. °F (°C) | Catalog Number | Const. Ref. | Agency | | | Wattage | Approx. Shipping Weight lbs (kgs) |
|--|----------------------|---------------------|----------------|------|---|----------|--------------------------|----------------|-------------|--------|-----|------|-----------|-----------------------------------|
| | | | Btu/hr. | Min. | Max. | UL | | | | FM | CSA | | | |
| COMBUSTION (Fuel Gas) - NORMALLY CLOSED | | | | | | | | | | | | | | |
| 3/8 | 3/8 (10) | 1.8 (1.5) | 97,000 | 0 | 15 (1.0) | 125 (52) | 8030G068 | 1 | ○ | ○ | ○ | 10.1 | 2.3 (1.0) | |
| 1/2 | 7/16 (11) | 2.8 (2.4) | 151,000 | 0 | 8 (0.6) | 125 (52) | 8030G069 | 2 | ○ | ○ | ○ | 10.1 | 2.7 (1.2) | |

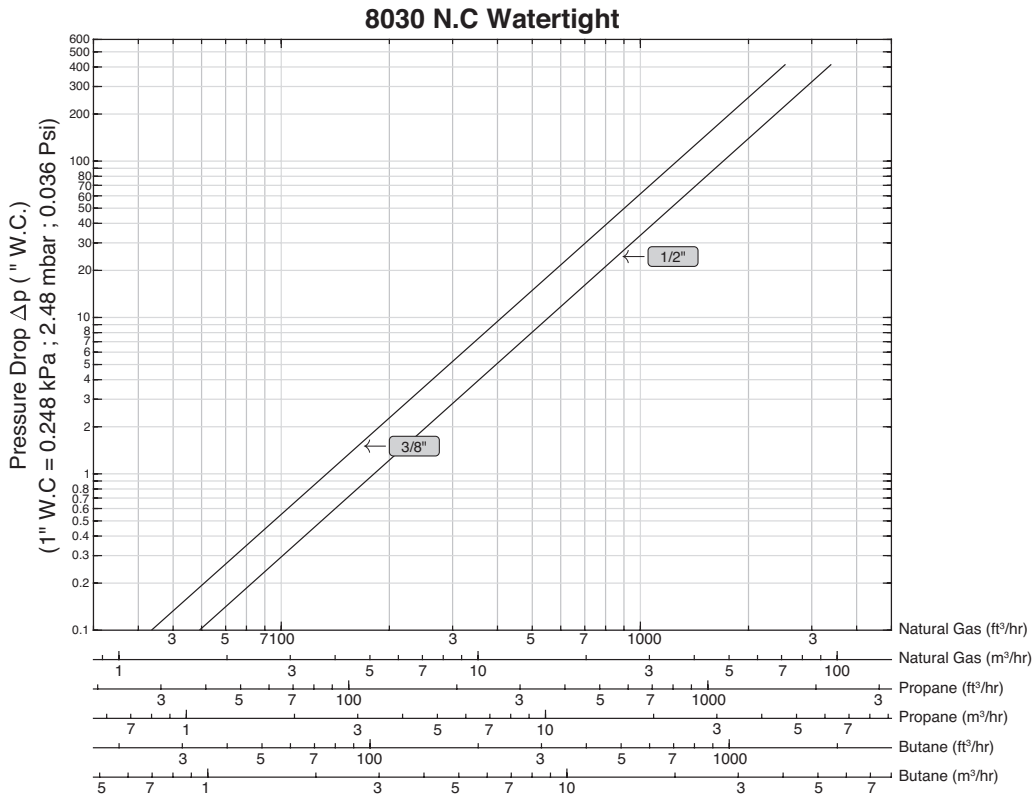
○ = Safety Shutoff Valve. ① 1" W.C. Drop @ 2" W.C. Inlet Pressure, 1,000 Btu/cu.ft. or more, 0.64 Specific Gravity Gas.

Capabilities Chart

| Solenoid Options | | | | Base Catalog Number | Resilient Materials | Standard Rebuild Kit |
|------------------|------------|--------------|---------------------------|---------------------|---------------------|----------------------|
| NEMA Type 3-9 | High Temp. | Junction Box | Wiring Box Screw Terminal | Brass | NBR | AC |
| EF | HT | JB | JKF | 8030G068 | ● | 306628 |
| EF | HT | JB | JKF | 8030G069 | ● | 306629 |

● = Standard. Other options may be available. All option combinations may not be available.

Gas Flow Chart



Note: Flow curves are based on the following standard conditions: 5 psi (0.3 bar) inlet pressure and 68°F (20°C) fluid temperature.

COMBUSTION

Dimensions inches (mm)

| Const. Ref. | | H | K | L | P | W |
|-------------|----|------|------|------|------|------|
| 1 | in | 4.00 | 3.14 | 1.91 | 3.55 | 1.95 |
| | mm | 102 | 80 | 49 | 90 | 50 |
| 2 | in | 4.32 | 3.39 | 2.28 | 3.77 | 1.95 |
| | mm | 110 | 86 | 58 | 96 | 50 |

Const. Ref. 1, 2

