

### Features

- 2-way normally closed operation
- For gas pilot or main control of commercial and industrial gas burners
- Valves provided with 1/8" NPT upstream and downstream pipe taps with plugs for routine testing
- Mountable in any position

### Fluid

Fuel Gas

### Construction

Valve Parts in Contact with Fluids	
Body	Aluminum
Seals and Disc	NBR
Core Tube	305 Stainless Steel
Core Guide	Acetal
Rider Ring	PTFE
Core and Plugnut	430F Stainless Steel
Springs	302 Stainless Steel
Shading Coil	Copper
Pipe Plug	Zinc-Plated Steel

### Electrical

Standard Coil Class of Insulation	Watt Rating and Power Consumption			Ambient Temp. °F	Spare Coil Family	
	AC				General Purpose	Explosionproof
	Watts	VA Holding	VA Inrush		AC	AC
F	10.1	25	70	-40 to 125	238610	238614
H	10.1	25	70	-40 to 140	238810	-
F	15.4	27	160	-40 to 125	099257	-
H	15.4	27	160	-40 to 140	222345	-

**Standard Voltages:** 24, 120, 240 volts AC, 60 Hz (or 110, 220 volts AC, 50 Hz).  
**Optional High Ambient Temp:** 140°F Class H coil with prefix HT.

### Solenoid Enclosures

Valves with the letter "G" in their catalog numbers, e.g. 8040G021, have RedHat II molded epoxy Types 1, 2, 3, 3S, 4, and 4X combinations  
**Standard:** General Purpose and Watertight solenoid enclosures with 1/2" conduit hub as standard.

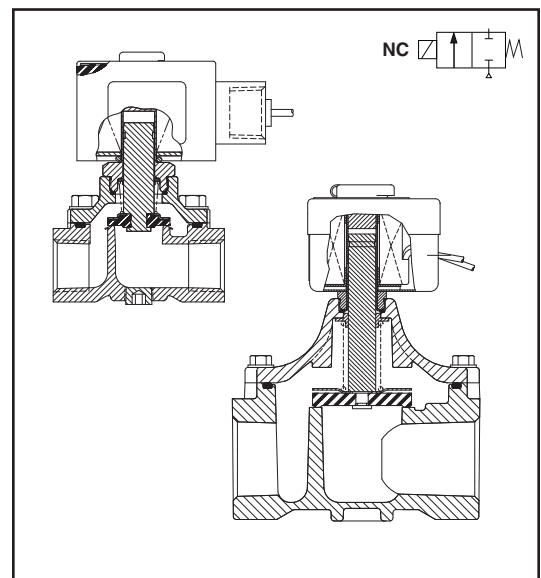
**Optional:** RedHat II - Explosionproof and Watertight. To order, add Prefix "EF" to catalog numbers. (e.g. EF8040G022)

Valves with the letter "C" in their catalog numbers, e.g. 8040C004, have RedHat metal Type 1 General Purpose enclosures with 7/8" hole for 1/2" conduit connection.

### Valve Response Time

**Opening Time:** Less than 1 second

**Closing Time:** Less than 1 second



### Approvals

UL listed to standard 429 "Electrically Operated Valves," Guide Y10Z, File MP618 Safety Valves.

FM Approved to Class 7400 "Liquid and Gas Safety Shutoff Valves" (3/8" thru 3/4" only).

CSA Certified to:

- 1) Standard C22.2 No. 139 "Electrically Operated Valves," File 010381.
- 2) Automatic Gas Valves Z21.21 (6.5), File 112872.
- 3) Automatic Gas Safety Shutoff Valves C/I (3.9), File 112872.

COMBUSTION

**Specifications English units (Metric units)**

Pipe Size in	Orifice Size in (mm)	Flow Factor Cv (Kv)	Gas Capacity ① Btu/hr.	Operating Pressure Differential psi (bar)		Max. Fluid Temp. °F (°C)	Catalog Number	Const. Ref.	Agency			Wattage	Approx. Shipping Weight lbs (kgs)
				Min.	Max.				UL	FM	CSA		
<b>COMBUSTION (Fuel Gas) - NORMALLY CLOSED</b>													
3/8	3/4 (19)	3.9 (3.3)	210,000	0	2 (0.1)	125 (52)	8040G021	1	○	○	○	10.1	2.8 (1.3)
1/2	3/4 (19)	5.4 (4.6)	291,000	0	2 (0.1)	125 (52)	8040G022	1	○	○	○	10.1	2.8 (1.3)
3/4	3/4 (19)	9.5 (8.1)	512,000	0	2 (0.1)	125 (52)	8040G023	2	○	○	○	10.1	2.8 (1.3)
1	1 5/8 (41)	16.8 (14.3)	900,000	0	0.5 (0.03)	125 (52)	8040C004	3	○	-	○	15.4	4.3 (2.0)
1 1/4	1 5/8 (41)	19.6 (16.7)	1,100,000	0	0.5 (0.03)	125 (52)	8040C005	3	○	-	○	15.4	4.3 (2.0)

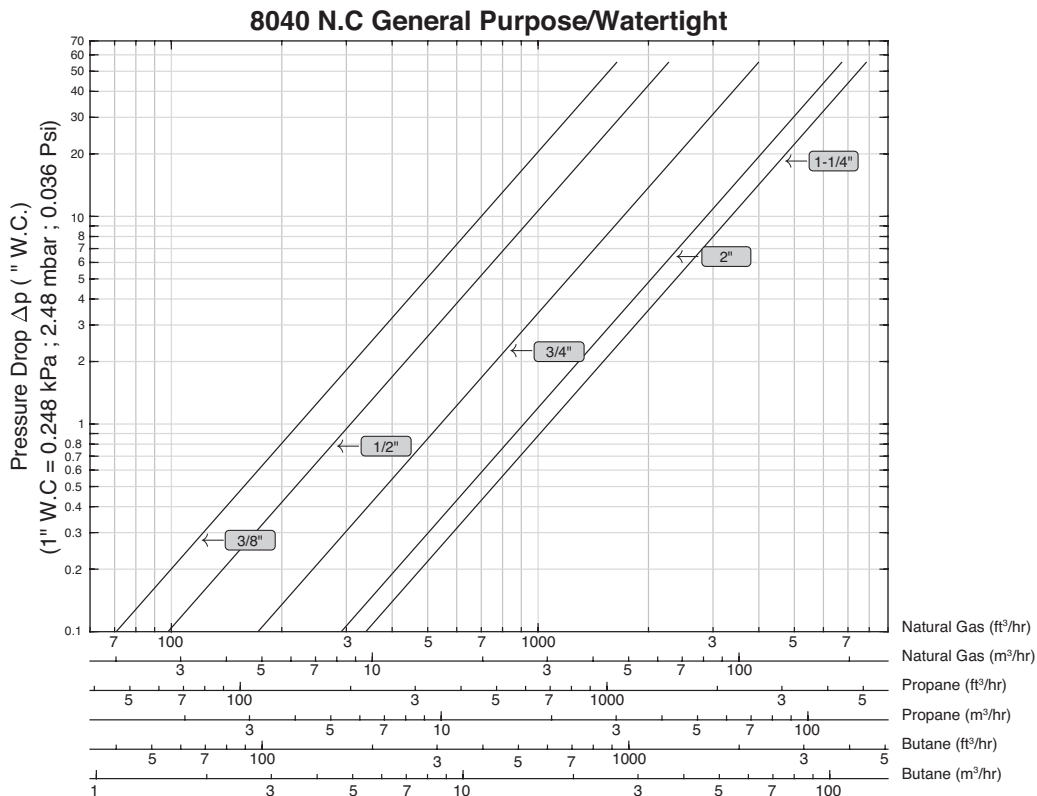
○ = Safety Shutoff Valve. ① 1" W.C. Drop @ 2" W.C. Inlet Pressure, 1,000 Btu/cu.ft. or more, 0.64 Specific Gravity Gas.

**Capabilities Chart**

Solenoid Options				Base Catalog Number	Resilient Materials	Standard Rebuild Kit
NEMA Type 3-9	High Temp.	Junction Box	Wiring Box Screw Terminal	Aluminum	NBR	AC
EF	HT	-	JKF	8040G021	●	306633
EF	HT	JB	JKF	8040G022	●	306633
EF	HT	JB	JKF	8040G023	●	306633
-	HT	JB	JKF	8040C004	●	304079
-	HT	JB	JKF	8040C005	●	304079

● = Standard. Other options may be available. All option combinations may not be available.

**Gas Flow Chart**

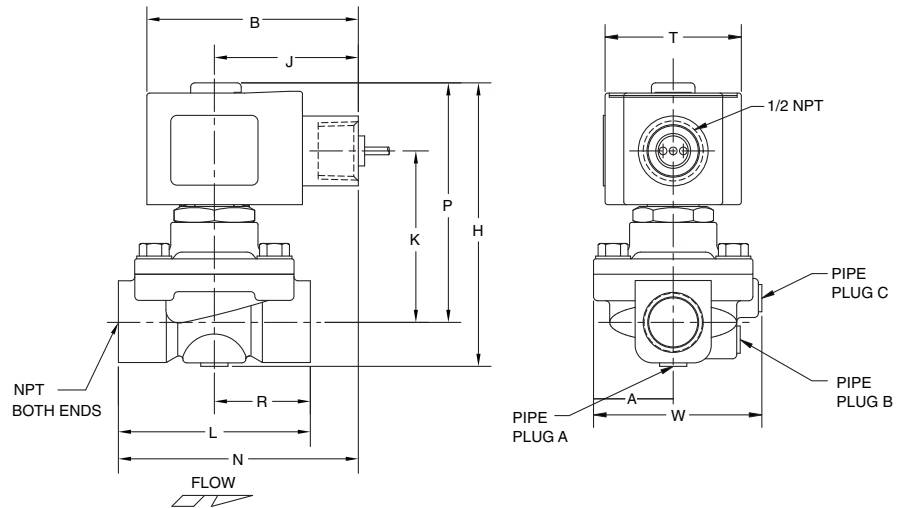


**Note:** Flow curves are based on the following standard conditions: 5 psi (0.3 bar) inlet pressure and 68°F (20°C) fluid temperature.

## Dimensions inches (mm)

Const. Ref.		1	2	3
A	in	1.66	1.66	2.69
	mm	42	42	68
B	in	3.03	3.03	2.69
	mm	77	77	68
H	in	4.05	4.49	6.81
	mm	103	11405	173
J	in	2.04	2.04	1.59
	mm	52	52	40
K	in	2.46	2.65	4.09
	mm	62	67	104
L	in	2.75	3.31	5.00
	mm	70	84	127
N	in	3.42	3.70	-
	mm	87	94	-
R	in	1.38	1.66	2.38
	mm	35	42	60
P	in	3.44	3.63	5.50
	mm	87	92	140
T	in	1.95	1.95	2.22
	mm	50	50	56
W	in	2.42	2.39	5.38
	mm	61	61	137
Pipe Plug		B & C	A & C	-

Const. Ref. 1, 2



Const. Ref. 3

