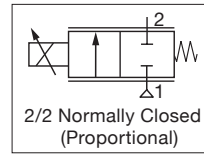
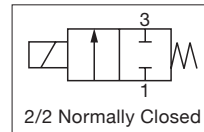


# ASCO™ MINIATURE SOLENOID VALVES

## DENTAL MANIFOLD

- 3 manifolds with the following configurations:
  - Manifold with 2 microactuators 2/2NC (A-P) and 1 total isolation microactuator 2/2NC (W); all direct acting.
  - Manifold with 1 microactuator 2/2NC (A), 1 total isolation microactuator 2/2NC (W) and 1 proportional solenoid valve 2 ways NC (P); all direct acting.
  - Manifold with 1 total isolation direct acting microactuator 2/2NC (W), 1 water channel (P) and 1 air channel (A).
- Compact and versatile version, designed for dental equipments; equipped with 3 flow regulators. The modular system allows the use as single or as a set (max. 4 manifolds); the manifold is delivered with 3 sealing O-rings and joint pin. Heads group kit (feeding and end side) available separately (see details on the back).
- Suitable to shut off liquid (W) and gaseous (A-P) fluids (verify the compatibility of fluid with materials in contact). Pipette Dispensing



**Series 252 D01**



**Series 252 D02**



**Series 252 D03**

| Fluids*          | Temperature Range              | Seal Materials* |
|------------------|--------------------------------|-----------------|
| Liquids or Gases | -10°C to 90 °C (50°F to 194°F) | EPDM            |

\* Ensure that the compatibility of the materials in contact with the fluids is verified..

| General Valve Information |                                 |
|---------------------------|---------------------------------|
| Body                      | POM                             |
| Others                    | Stainless Steel / PA 66 / Brass |
| Response Time             | < 10ms                          |
| Max. Viscosity            | 22 cSt (mm <sup>2</sup> /s)     |

| Electrical Characteristics      |   |
|---------------------------------|---|
| Coil Insulation Class           | F   |
| Connector                       | - DIN 46340 with micro plug connector<br>- Lead Wires                   |
| Electrical Safety               | EN 60730-1  |
| Electrical Enclosure Protection | IP65 (EN 60529), IP40 (EN 60529)  |
| Standard Voltages*              | 12 VDC, 24 VDC (-5%/+10%),<br>Proportional valve (P): 70 – 220 mA (24V) |

\* Other voltages on request

| Coil Type       | Power Ratings | Ambient Temperature Range | Protection | Electrical Connection  |
|-----------------|---------------|---------------------------|------------|--|
|                 | W             | °C (°F)                   | VA         | W  |
| Standard S0     | 4             | 10 to 60<br>(50 to 140)   | IP65       | Spade terminals 2.8 x 0.5 (DIN 46340)                                  |
| Standard L0     | 4             | 10 to 60<br>(50 to 140)   | IP65       | 500mm Lead Wire (for D01 and D03)<br>– 460mm/500mm Lead Wire (for D02) |
| Proportional S0 | 5.5           | 10 to 60<br>(50 to 140)   | IP65       | Spade terminals 2.8 x 0.5 (DIN 46340)                                  |
| Proportional L0 | 5.5           | 10 to 60<br>(50 to 140)   | IP65       | 500mm Lead Wire (for D01 and D03)<br>– 460mm/500mm Lead Wire (for D02) |

01074GB-2019-R01

| Specifications |              |                        |       |                               |        |          |                  |                |
|----------------|--------------|------------------------|-------|-------------------------------|--------|----------|------------------|----------------|
| Type           | Orifice Size | Flow Coefficient       |       | Operating Pressure. bar (psi) |        |          | Power Rating (W) | Catalog Number |
|                |              |                        |       | min.                          | max.   |          |                  |                |
|                | mm (inches)  | Kv (m <sup>3</sup> /h) | Cv    |                               |        | gases    |                  |                |
| D01            | 1.6 (0.063)  | 0.030                  | 0.035 | 0                             | 6 (87) | -        | 4                | 6252AD01       |
|                | 1.8 (0.071)  |                        |       |                               | 6 (87) | -        | 4                |                |
|                | 1.5 (0.059)  |                        |       |                               | -      | 3 (43.5) | 4                |                |
| D02            | 1.6 (0.063)  | 0.030                  | 0.035 | 0                             | 6 (87) | -        | 4                | 6252AD02       |
|                | 1.6 (0.063)  | -                      | -     |                               | 6 (87) | -        | 5.5              |                |
|                | 1.6 (0.063)  | 0.030                  | 0.035 |                               | -      | 3 (43.5) | 4                |                |
| D03            | 1.5 (0.059)  | 0.030                  | 0.035 | 0                             | -      | 3 (43.5) | 4                | 6252AD03       |

**How to Order**

**6 252 A D01 S0 A00 F1**

**Connection Type**

6 = Barb Fitting

**Product Series**

252 = Dental Manifold Module

**Revision**

A = Initial Release

**Pipe Size / Orifice**

D01 = Orifice size: 1.6 / 1.8 / 1.5. 2-Way N.C.

D02 = Orifice size: 1.6 / 1.6 Proportional / 1.5. 2-Way N.C.

D03 = Orifice size: 1.5. 2-Way N.C.

**Voltage**

F1 = 24/DC Class F

F3 = 12/DC Class F

**Options**

A00 = No Options

**Electrical Connection Type**

S0 = Din Type Coil

L0 = 500mm Leaded coil (for D01 and D03)

460mm/500mm Leaded coil (for D02)

**Accessories**

**Heads group kit**

| Description  | Series | Catalog Number  |
|--|--------|-----------------|
| Heads group kit<br>Consisting of: feeding head, end side head, screw, sealing, pin | 252    | M252AU529833001 |

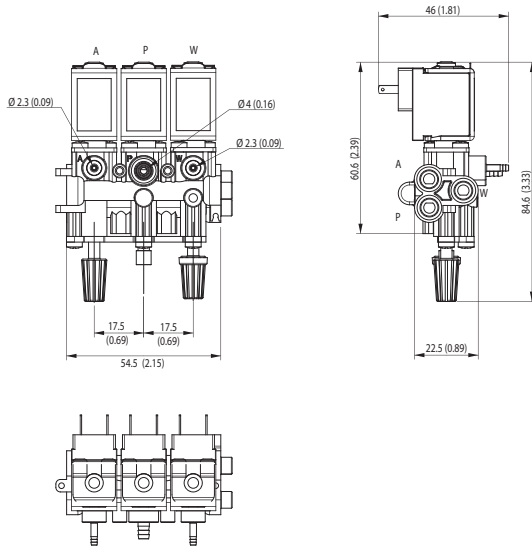
01074GB-2019-R01

# ASCO™ MINIATURE SOLENOID VALVES

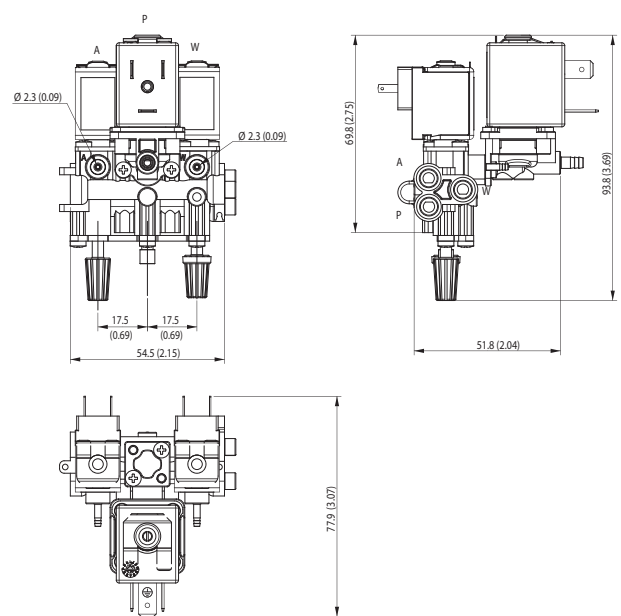
## DENTAL MANIFOLD

Dimensions: mm (inches)

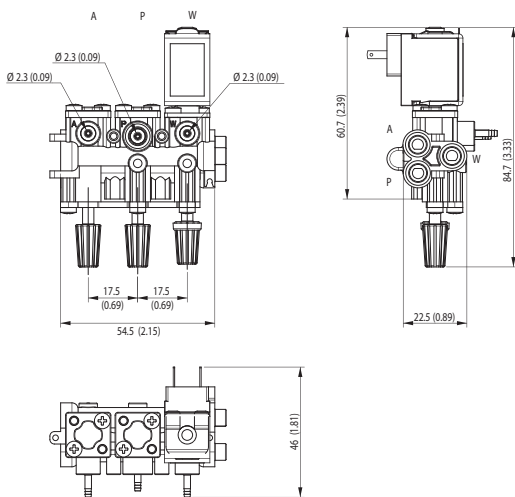
**Type 1 / D01**



**Type 2 / D02**



**Type 3 / D03**



01074GB-2019-R01

