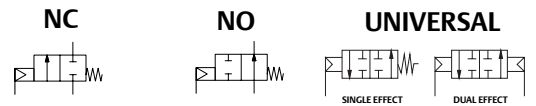


# ASCO™ Pinch Valves

2-way, 3-way, NC or NO, Pressure Operated, 1/4" - 1" ID

2/2, 3/2  
Series  
**273/373**

- Series 273/373 Pinch Valves are designed for high-purity fluid control in biotech applications
- Hermetic separation of control mechanism and the fluid within the tubing prevents contamination, assuring maximum purity of liquids
- RoHS compliant
- Innovative design allows for firm retention of the soft tubing
- Bi-directional flow for exceptional versatility
- Available in a large range of body sizes to accommodate a wide variety of tubing sizes
- Typical applications include: Tangeantial Flow Filtration, Chromatography Skids, and Single-Use Bioreactors
- Available in Anodized Aluminum and Stainless Steel



## General

Differential pressure	See "Specifications Table" [1 bar = 100 kPa]
Ambient temperature range	0°C to +40°C (32°F to 104°F)
Pilot fluid	Air
Air operated pressure	4.8 to 10 bar (70 PSI to 145 PSI)
Response time	200 ms (1/4" - 1/2" ID) & 400 ms (3/4" ID)

Fluids (*)	Temperature range
inert gases or liquids	0°C to +40°C (32°F to 104°F)

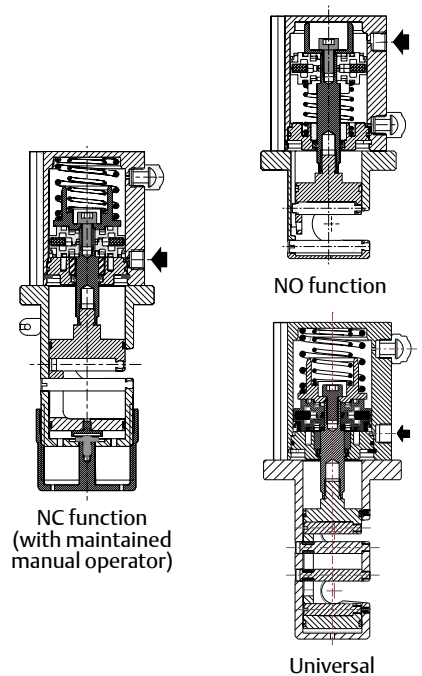
(\*) Ensure that the compatibility of the fluids in contact with the tube is verified.

## Specifications

Tube Range (OD)	3/8", 1/2", 3/4", 1", 1/4" (with optional size adaptor) (see Tube Chart for Tube Range (OD/ID))
Tube Hardness range	55 to 80 Shore A
Tube Media Pressure	Up to 6 bar depending on size & tubing material, refer to tube chart (up to 90 PSI)

## Other materials

Body & Actuator	Stainless steel AISI 316 or anodised aluminium
Actuator screws	Stainless steel AISI 316
Dynamic pinching parts	Stainless steel AISI 316
Pin	Stainless steel AISI 304
Sliding rings	PTFE charged bronze



## Specifications

tube I.D.	tube O.D.	operating pressure differential		catalog number	
		min.	max.	without manual operator	with maintained manual operator
<b>2/2 - Normally closed (NC)</b>					
3.2 (1/8)	6.4 (1/4)	0	4 (60)	P273AG32ACA0000	P273AG32ACOM000
6.4 (1/4)	9.5 (3/8)	0	4 (60)	P273AG12ACA0000	P273AG12ACOM000
6.4 (1/4)	12.7 (1/2)	0	6 (90)	P273AG14ACA0000	P273AG14ACOM000
9.5 (3/8)	12.7 (1/2)	0	4 (60)	P273AG13ACA0000	P273AG13ACOM000
12.7 (1/2)	19.1 (3/4)	0	4 (60)	P273AG15ACA0000	P273AG15ACOM000
19.1 (3/4)	25.4 (1)	0	1.6 (25)	P273AG16ACA0000	P273AG16ACOM000
<b>2/2 - Normally open (NO)</b>					
3.2 (1/8)	6.4 (1/4)	0	4 (60)	P273AG32APA0000	-
6.4 (1/4)	9.5 (3/8)	0	4 (60)	P273AG12APA0000	-
6.4 (1/4)	12.7 (1/2)	0	6 (90)	P273AG14APA0000	-
9.5 (3/8)	12.7 (1/2)	0	4 (60)	P273AG13APA0000	-
12.7 (1/2)	19.1 (3/4)	0	4 (60)	P273AG15APA0000	-
19.1 (3/4)	25.4 (1)	0	4 (60)	P273AG16APA0000	-
<b>3/2 - Universal</b>					
				single acting	double acting
6.4 (1/4)	12.7 (1/2)	0	4 (60)	P373AG14ASA0000	P373AG14ADA0000

01 049GB-2021/R02 Availability, design and specifications are subject to change without notice. All rights reserved.

How To Order

15-DIGIT PRODUCT CODE  
P 273 A G 12 A C A00 00

**Connection Type**  
P = No connection

**Product series**  
273 = 2-way Pinch Valve  
373 = 3-way Pinch Valve

**Revision letter**  
A = Initial release

**Pilot Connection Type**  
G = 1/8" G - ISO 228/1  
8 = 1/8" NPT

**Tube Size**  
12 = 1/4" I.D. x 3/8" O.D.  
13 = 3/8" I.D. x 1/2" O.D.  
14 = 1/4" I.D. x 1/2" O.D.  
15 = 1/2" I.D. x 3/4" O.D.  
16 = 3/4" I.D. x 1" O.D.  
**Multi size valve with a plastic size reducer:**  
32 = 1/4" I.D. X 3/8" O.D. with reducer to x I.D X 1/4" O.D.

**Options**  
A00 = Without  
OM0 = With maintained manual operator<sup>(1)</sup>

**Function**  
C = 2 Way - Normally closed  
P = 2 Way - Normally open  
S = 3 Way - Normally Closed Upper Slot, Normally Open Lower Slot, Single-acting  
D = 3 Way - Universal, Double-acting

**Body Material**  
A = Aluminium  
S = Stainless steel

<sup>(1)</sup> NO function not available.

TUBES COMPATIBILITY TABLE AT 25°C (77°F)

	tube I.D.	tube O.D.	tubing type	tubing material	tubing nominal hardness (Shore A)	max. tested media pressure <sup>(2)</sup> bar (psi)
P273A-32-----00	3.2 (1/8)	6.4 (1/4)	Watson Marlow 913.A132.016	Platinum-cured silicone tubing (Pumpsil)	60	2.0 (30)
P273A-12-----00	6.4 (1/4)	9.5 (3/8)	AdvantaFlex®, APAF-BP	TPE	65	0.8 (12)
			C-Flex® 374	TPE	60	1.0 (15)
			Pharma 80	Platinum-Cured Silicone	80 <sup>(1)</sup>	4.0 (60)
			Saint Gobain AND00017	TYGON® E-65-F	65	0.9 (12)
			AN800017	TYGOPRENE® XL-60	60	1.0 (15)
			ACF00017	TYGON® E-3603	56	1.4 (20)
	Watson Marlow 913.A064.016	Platinum-cured silicone tubing (Pumpsil)	60	2.0 (30)		
Watson Marlow 941.0064.016	Weldable biopharmaceutical tubing (PureWeld XL)	65-73	2.0 (30)			
	6 (1/4)	9 (3/8)	Saint Gobain ABX6FB020-C	VERSILON™ SPX60-FB	61	0.38 (0.03)
P273A-14-----00 P373A-14-----00	6.4 (1/4)	12.7 (1/2)	C-Flex® 374	TPE	60	1.0 (15)
			TYGON® B-44-4X	PVC	66	2.1 (30)
			Pharma 80	Platinum-Cured Silicone	80 <sup>(1)</sup>	4.0 (60)
			Vena®,TECHNOSIL	Braided Silicone	70/60	6.0 (90)
		12.8 (1/2)	Watson Marlow 913.A064.032	Platinum-cured silicone tubing (Pumpsil)	60	2.0 (30)
	12.4 (12)	BPSHP0250-C	BioPure Silicone single braided hose (7,6)	-	4.0 (60)	
	6 (1/4)	12 (1/2)	Saint Gobain ABX6FB022-C	VERSILON™ SPX60-FB	61	0.65 (0.04)
P273A-13-----00	9.5 (3/8)	12.7 (1/2)	TYGON® B-44-4X	PVC	66	1.7 (25)
			Pharma 80	Platinum-Cured Silicone	80 <sup>(1)</sup>	4.0 (60)
P273A-15-----00	12.7 (1/2)	19.1 (3/4)	AdvantaFlex®, APAF-BP	TPE	65	0.8 (12)
			C-Flex® 374	TPE	60	1.0 (15)
			TYGON® B-44-4X	PVC	66	1.4 (20)
			Pharma 65	Platinum-Cured Silicone	65 <sup>(1)</sup>	4.0 (60)
			Pharma 80	Platinum-Cured Silicone	80 <sup>(1)</sup>	4.0 (60)

<sup>(1)</sup> In accordance with the manufacturer's specifications, a single cycle of gamma radiation up to 40 kGy has minimum effect on mechanical properties of the tubing. No effect has been observed on valve's performances when used with an irradiated sample of tubing.\*

<sup>(2)</sup> Maximum media pressure for reference only. It is user's responsibility to verify performance. Please contact tubing manufacturers for maximum working pressure and temperature.

The tubing has been tested with air at the maximum pressure stated in the table above. After 20000 pinching cycles in the same spot of the tubing, no fully-penetrated surface cuts or compromised integrity have been observed in our testing.

Please contact ASCO to verify suitability for any condition not stated in the above table.

AdvantaFlex® is a registered trademark of NewAge® Industries, Inc.

C-Flex® and TYGON® and TYGOPRENE® and VERSILON™ are registered trademarks of Saint-Gobain Performance Plastics.

PUMPSIL® and PUREWELD® are registered trademarks of Watson & Marlow NewAge® Industries, Inc.

Vena® is a registered trademark of Venair.

01049CB-2021 R02 Availability, design and specifications are subject to change without notice. All rights reserved.

TUBES COMPATIBILITY TABLE AT 25°C (77°F)						
	tube I.D.	tube O.D.	tubing type	tubing material	tubing nominal hardness (Shore A)	max. tested media pressure <sup>(2)</sup> bar (psi)
P273A-15-----00	12.7 (1/2)	19.8 (3/4)	Saint Gobain ACF00038	TYGON® E-3603	56	1.4 (20)
		19.1 (3/4)	Saint Gobain AN800038	TYGOPRENE® XL-60	60	1.0 (15)
	Watson Marlow 913.A127.032		Platinum-cured silicone tubing (Pumpsil)	60	2.0 (30)	
	Watson Marlow 941.0127.032		Weldable biopharmaceutical tubing (PureWeld XL)	65-73	2.0 (30)	
	9.6 (1/2)	16.7 (3/4)	BPSHP0375-C	BioPure Silicone single braided hose (7,6)	-	4.0 (60)
	12.7 (1/2)	20.3 (3/4)	BPSHP0375-C	BioPure Silicone single braided hose (7,6)	-	4.0 (60)
P273A-16-C--00	19.1 (3/4)	25.4 (1)	AdvantaFlex®, APAF-BP	TPE	65	0.8 (12)
			C-Flex® 374	TPE	60	1.0 (15)
			Pharma 50	Platinum-Cured Silicone	50 <sup>(1)</sup>	1.6 (25)
P273A-16-P--00	19.1 (3/4)	25.4 (1)	AdvantaFlex®, APAF-BP	TPE	65	0.8 (12)
			C-Flex® 374	TPE	60	1.0 (15)
			TYGON® B-44-4X	PVC	66	1.4 (20)
			Pharma 50	Platinum-Cured Silicone	50 <sup>(1)</sup>	1.6 (25)
			Pharma 80	Platinum-Cured Silicone	80 <sup>(1)</sup>	4.0 (60)

<sup>(1)</sup> In accordance with the manufacturer's specifications, a single cycle of gamma radiation up to 40 kGy has minimum effect on mechanical properties of the tubing. No effect has been observed on valve's performances when used with an irradiated sample of tubing."

<sup>(2)</sup> Maximum media pressure for reference only. It is user's responsibility to verify performance. Please contact tubing manufacturers for maximum working pressure and temperature.

The tubing has been tested with air at the maximum pressure stated in the table above. After 20000 pinching cycles in the same spot of the tubing, no fully-penetrated surface cuts or compromised integrity have been observed in our testing.

Please contact ASCO to verify suitability for any condition not stated in the above table.

AdvantaFlex® is a registered trademark of NewAge® Industries, Inc.

C-Flex® and TYGON® and TYGOPRENE® are registered trademarks of Saint-Gobain Performance Plastics.

PUMPSIL® and PUREWELD® are registered trademarks of Watson & Marlow NewAge® Industries, Inc.

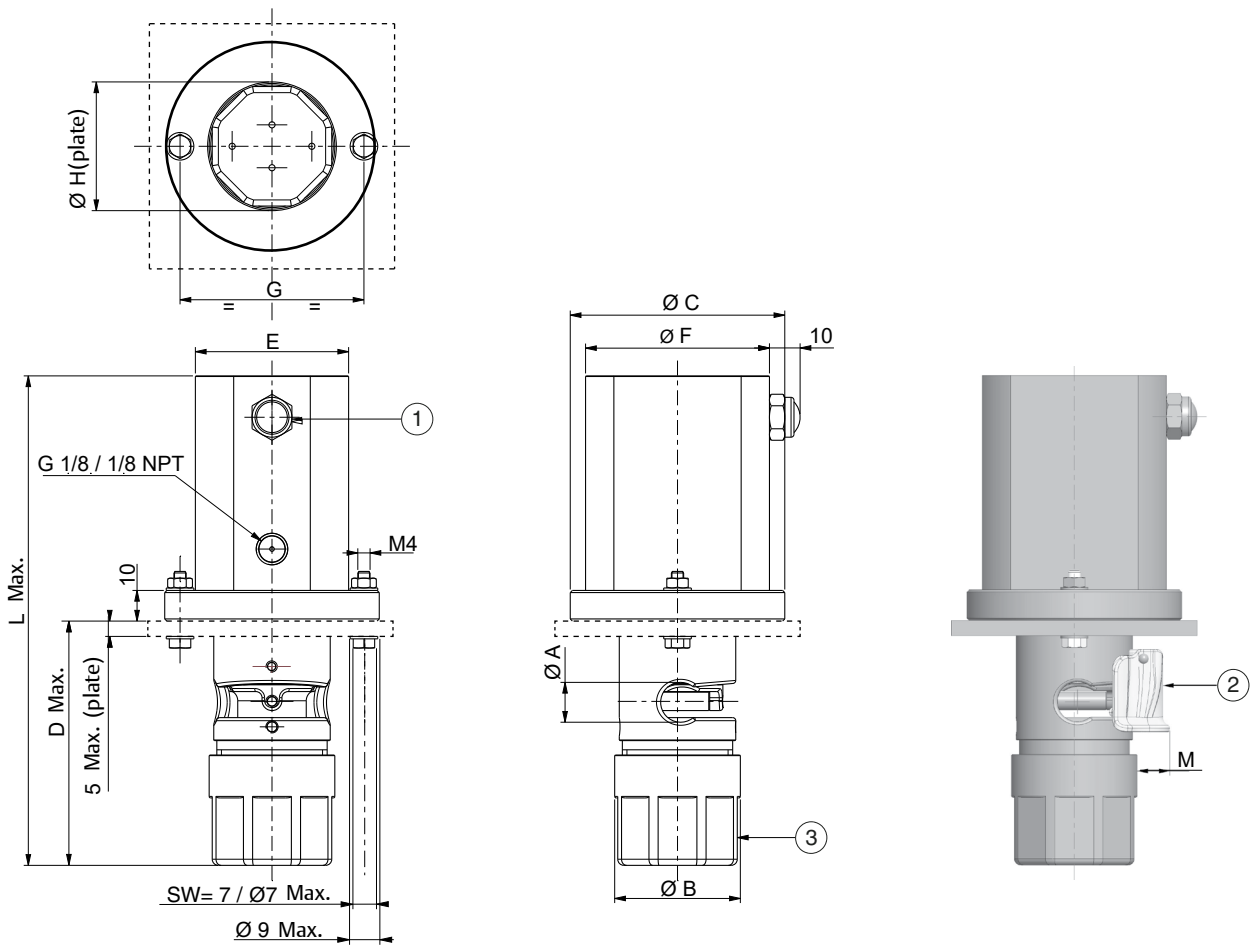
**Installation**

- The valves can be mounted in any position without affecting operation
- Check tube compatibility table
- Piloting thread connection: Pipe connections (G) have standard thread according to ISO 228/1
- Piloting thread connections have standard thread = NPTF (ANSI B1.20.3)
- Installation/maintenance instructions are included with each valve

**Dimensions mm (inches), Weight (kg)**



**TYPE 01**  
 "P" No connection  
 NC version only  
**With maintained manual operator**



- ① Silencer
- ② Safety guard
- ③ Maintained manual operator

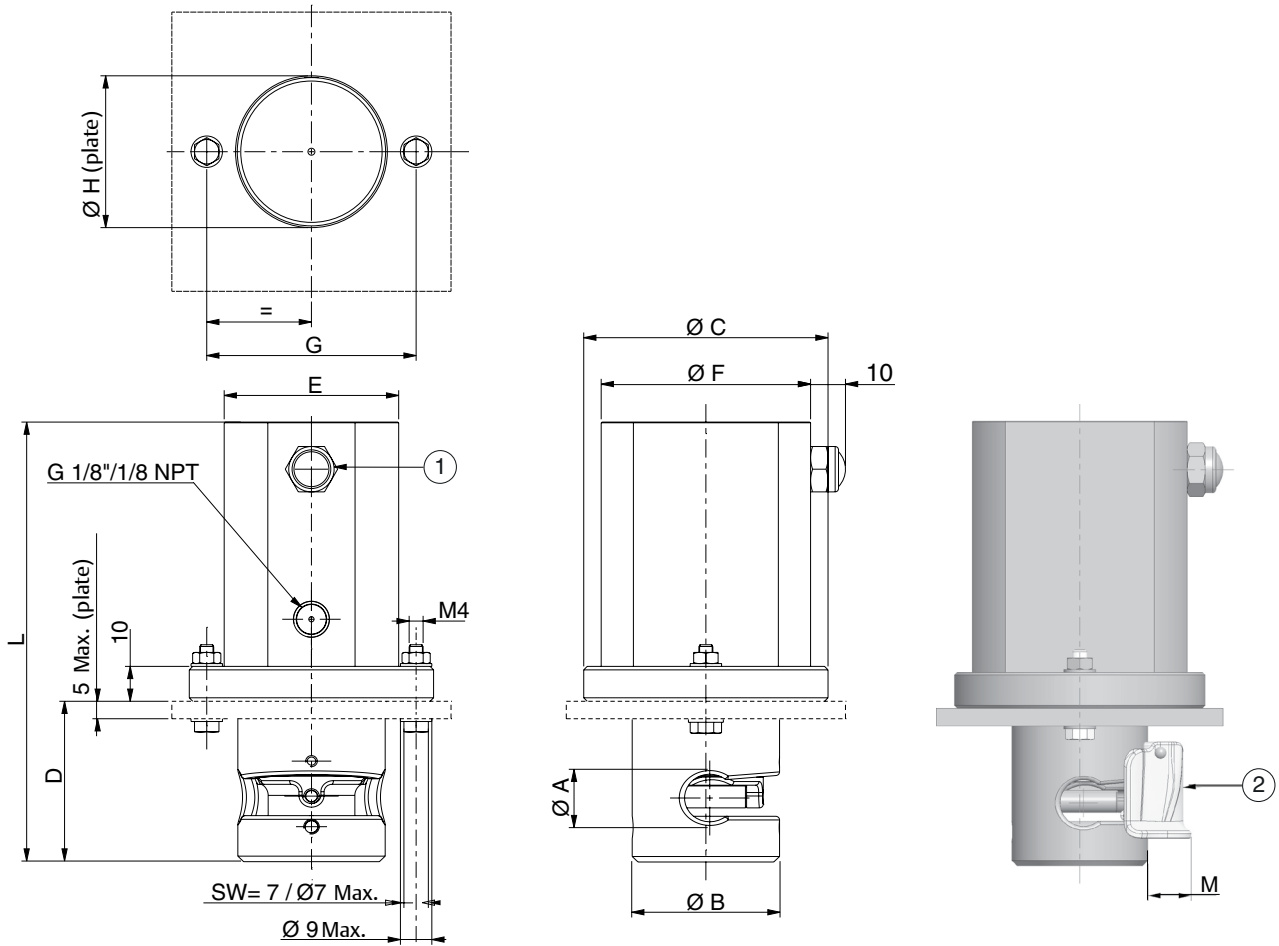
	size	ØA	ØB	ØC	D	E	ØF	G	ØH	L	M	weight kg (Lbs)			
												aluminium		st. steel	
P273A-12-COM000	mm 9.5x6.40 (in) 3/8x1/4	9.6	35.00	57.00	63.50	36.00	45.00	50.00	36.00	123.50	6.50	0.36	kg	0.91	kg
P273A-13-COM000	mm 12.7x9.50 (in) 1/2x3/8	13.00	41.00	70.00	79.50	50.00	60.00	60.00	42.00	160.00	10.50	0.68	kg	1.61	kg
P273A-14-COM000	mm 12.7x6.40 (in) 1/2x1/4	13.00	41.00	70.00	79.50	50.00	60.00	60.00	42.00	160.00	10.50	0.68	kg	1.61	kg
P273A-15-COM000	mm 19.1x12.7 (in) 3/4x1/2	20.00	53.00	75.00	97.00	50.00	60.00	65.00	54.00	177.00	11.00	0.79	kg	1.88	kg
P273A-16-COM000	mm 25.4x19.1 (in) 1x3/4	25.50	65.00	85.00	115.00	60.00	70.00	75.00	66.00	195.00	11.70	1.19	kg	2.85	kg
												2.62	(Lbs)	6.28	(Lbs)

01049CB-2021/R02 Availability, design and specifications are subject to change without notice. All rights reserved.

**Dimensions mm (inches), Weight (kg)**



**TYPE 02**  
 "P" No connection  
 NC version  
**Without manual operator**



- ① Silencer
- ② Safety guard

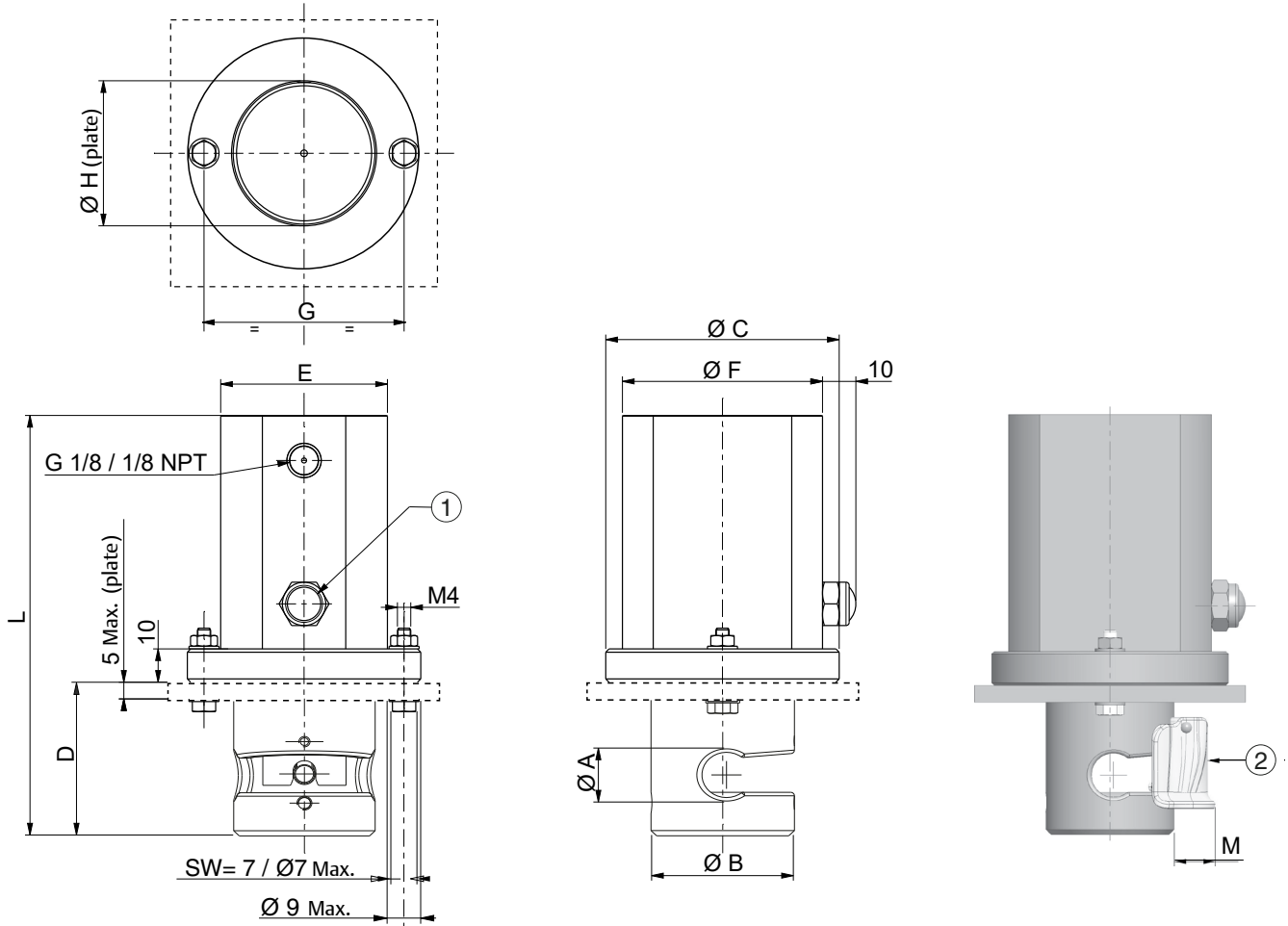
	size	ØA	ØB	ØC	D	E	ØF	G	ØH	L	M	weight kg (Lbs)				
												aluminium	st. steel			
P273A-12-CA0000	mm	9.5x6.4	9.60	32.00	57.00	30.50	36.00	45.00	50.00	33.00	90.50	8.00	0.310	kg	0.78	kg
	(in)	3/8x1/4	0.38	1.26	2.24	1.20	1.42	1.77	1.97	1.30	3.56	0.31	0.68	(Lbs)	1.73	(Lbs)
P273A-13-CA0000	mm	12.7x9.5	13.00	38.00	70.00	44.00	50.00	60.00	60.00	39.00	124.00	12.00	0.52	kg	1.15	kg
	(in)	1/2x3/8	0.51	1.50	2.76	1.73	1.97	2.36	2.36	1.54	4.88	0.47	1.15	(Lbs)	2.54	(Lbs)
P273A-14-CA0000	mm	12.7x6.4	13.00	38.00	70.00	44.00	50.00	60.00	60.00	39.00	124.00	12.00	0.52	kg	1.15	kg
	(in)	1/2x1/4	0.51	1.50	2.76	1.73	1.97	2.36	2.36	1.54	4.88	0.47	1.15	(Lbs)	2.54	(Lbs)
P273A-15-CA0000	mm	19.1x12.7	20.00	42.50	75.00	46.00	50.00	60.00	65.00	43.50	126.00	12.50	0.61	kg	1.39	kg
	(in)	3/4x1/2	0.79	1.67	2.95	1.81	1.97	2.36	2.56	1.71	4.96	0.49	1.35	(Lbs)	3.06	(Lbs)
P273A-16-CA0000	mm	25.4x19.1	25.50	60.00	85.00	62.00	60.00	70.00	75.00	61.00	142.00	14.00	1.00	kg	2.66	kg
	(in)	1x3/4	1.00	2.36	3.35	2.44	2.36	2.76	2.95	2.40	5.60	0.55	2.20	(Lbs)	5.00	(Lbs)

01049GB-2021/R02 Availability, design and specifications are subject to change without notice. All rights reserved.

Dimensions mm (inches), Weight (kg)



**TYPE 03**  
“P” No connection  
NO version  
Without manual operator



- ① Silencer
- ② Safety guard

	size	ØA	ØB	ØC	D	E	ØF	G	ØH	L	M	weight kg (Lbs)				
												aluminium	st. steel			
P273A-12-PA0000	mm	9.5x6.4	9.60	32.00	57.00	30.50	36.00	45.00	50.00	33.00	90.50	8.00	0.310	kg	0.78	kg
	(in)	3/8x1/4	0.38	1.26	2.24	1.20	1.42	1.77	1.97	1.30	3.56	0.31	0.68	(Lbs)	1.73	(Lbs)
P273A-13-PA0000	mm	12.7x9.5	13.00	38.00	70.00	44.00	50.00	60.00	60.00	39.00	124.00	12.00	0.52	kg	1.15	kg
	(in)	1/2x3/8	0.51	1.50	2.76	1.73	1.97	2.36	2.36	1.54	4.88	0.47	1.15	(Lbs)	2.54	(Lbs)
P273A-14-PA0000	mm	12.7x6.4	13.00	38.00	70.00	44.00	50.00	60.00	60.00	39.00	124.00	12.00	0.52	kg	1.15	kg
	(in)	1/2x1/4	0.51	1.50	2.76	1.73	1.97	2.36	2.36	1.54	4.88	0.47	1.15	(Lbs)	2.54	(Lbs)
P273A-15-PA0000	mm	19.1x12.7	20.00	42.50	75.00	46.00	50.00	60.00	65.00	43.50	126.00	12.50	0.61	kg	1.39	kg
	(in)	3/4x1/2	0.79	1.67	2.95	1.81	1.97	2.36	2.56	1.71	4.96	0.49	1.35	(Lbs)	3.06	(Lbs)
P273A-16-PA0000	mm	25.4x19.1	25.50	60.00	85.00	62.00	60.00	70.00	75.00	61.00	142.00	14.00	1.00	kg	2.66	kg
	(in)	1x3/4	1.00	2.36	3.35	2.44	2.36	2.76	2.95	2.40	5.60	0.55	2.20	(Lbs)	5.00	(Lbs)

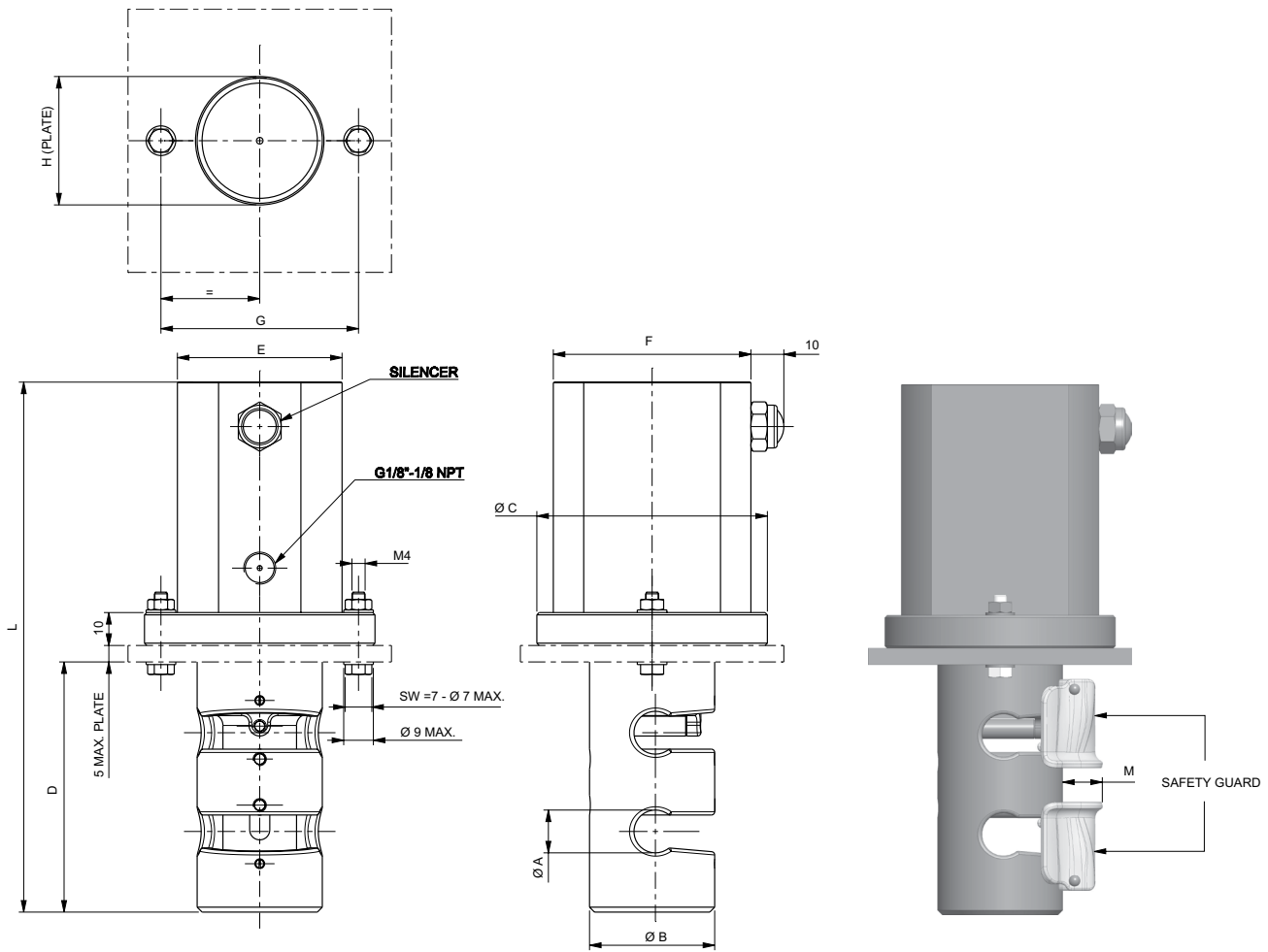
01049CB-2021/RO2 Availability, design and specifications are subject to change without notice. All rights reserved.

Dimensions mm (inches), Weight (kg)



**TYPE 03**  
"P" No connection  
Universal version  
Without manual operator

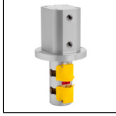
Single Effect Cylinder



	size	ØA	ØB	ØC	D	E	F	G	ØH	L	M	weight kg (Lbs)		
												aluminium	kg	
P373AG14AXA0000	mm (in)	12.7x6.4 1/2x1/4	13.00 0.51	38.00 1.50	70.00 2.76	76.00 3.00	50.00 1.97	60.00 2.36	60.00 2.36	39.00 1.54	161.00 6.34	10.50 0.41	0.78 1.72	kg (Lbs)

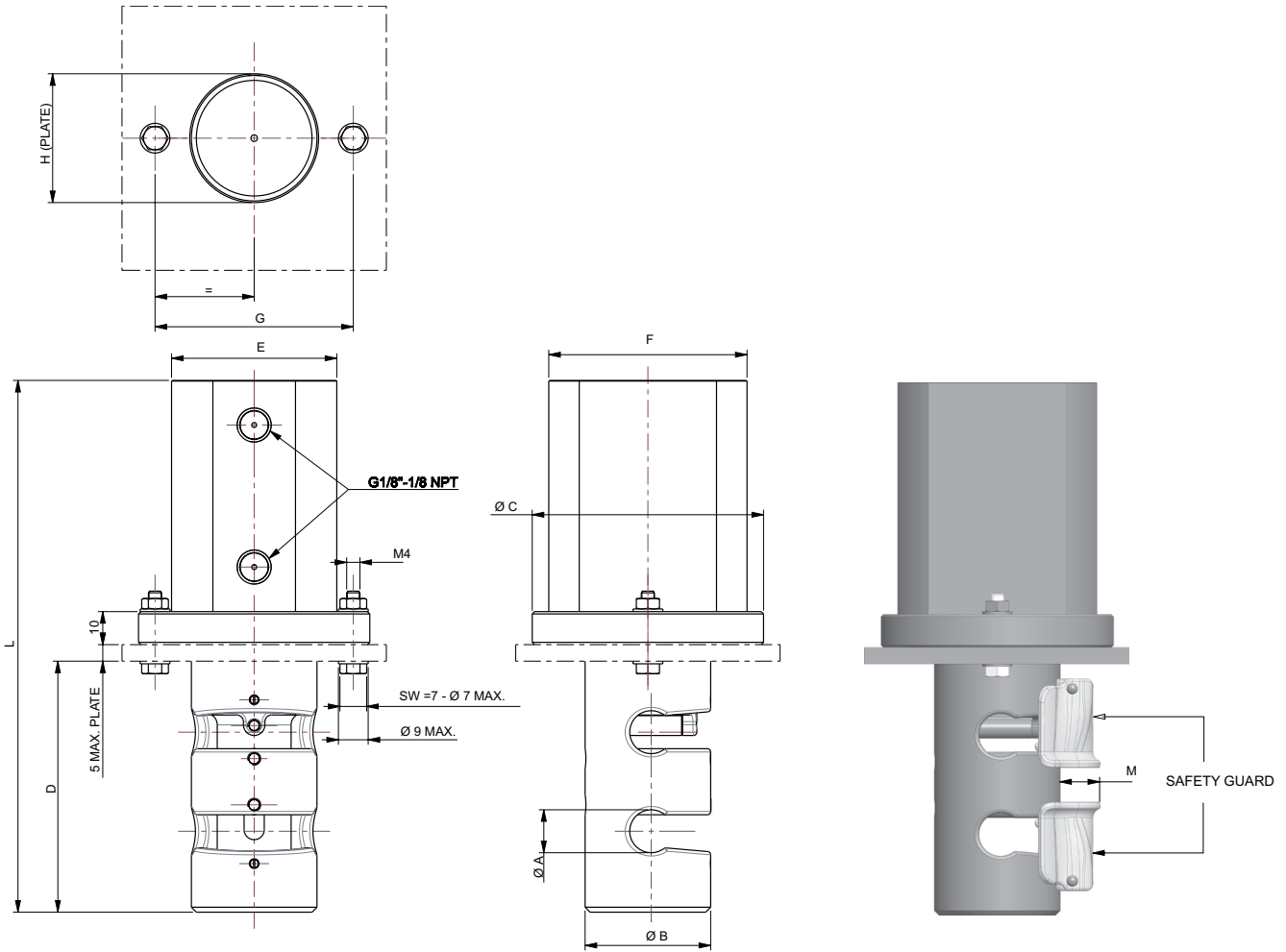
01049GB-2021/R02  
Availability, design and specifications are subject to change without notice. All rights reserved.

Dimensions mm (inches), Weight (kg)



**TYPE 03**  
"P" No connection  
Universal version  
Without manual operator

Double Effect Cylinder



													weight kg (Lbs)	
		size	ØA	ØB	ØC	D	E	F	G	ØH	L	M	aluminium	
P373A...	mm	12.7x6.4	13.00	38.00	70.00	76.00	50.00	60.00	60.00	39.00	161.00	10.50	0.74	kg
	(in)	1/2x1/4	0.51	1.50	2.76	3.00	1.97	2.36	2.36	1.54	6.34	0.41	1.63	(Lbs)

01049CB-2021/R02  
Availability, design and specifications are subject to change without notice. All rights reserved.



Pinch Valve Description (OD)	Kit Code <sup>(1)</sup>
1" OD x 3/4" ID NC - NC+MO - NO	M27354152700100
3/4" OD x 1/2" ID NC - NO	M27354152900100
3/4" OD x 1/2" ID NC+MO	M27354152900200
1/2" OD x 3/8" ID (& 1/4" ID) NC - NC+MO - NO	M27354152800100
3/8" OD x 1/4" ID NC - NC+MO - NO	M27354161500100

<sup>(1)</sup> Kit includes; a sub-assembly of (2) pins, (1) mounting block, (1) screw and (1) safety cover.



Description	Kit Code
Size adaptor 1/4"	M273254644200100

