

ASCO™ Miniature Solenoid Valves

General Service Valves

Series

275 | 375

Features

- Direct acting solenoid valve
 - Composite body as lead-free alternative to brass
 - Compact design and low power consumption
 - Barbed ports with ring nuts for easy and safe connection of tubing at high pressure
 - Steam valves can handle high pressure and temperatures
 - High resistance to aggressive media
- Typical applications include
 - Dental Sterilizers
 - Benchtop Sterilizers
 - Steam Sterilizers
 - Bio-Medical Analyzers



General Valve Information

Body	PPS
Seals*	FKM
Internal Components	Stainless Steel, Stainless Steel and PPS
Seat	PPS
Core Tube	Stainless Steel
Shading Coil	Copper
Fluids	Liquids or gases
Fluid Temperature	0°C +130°C
Differential Pressure	see "Specifications" [1 bar = 100 kPa]
Response Time	~ 20ms
Max. Viscosity	37 cSt (mm ² /s)

* Ensure that the compatibility of the materials in contact with the fluids is verified

Electrical Characteristics

Coil Insulation Class	F
Connector	Spade plug (cable Ø 6-8 mm or Ø 6-10 mm)
Connector Specification	DIN 43650, 11 mm, EN 175301-803, form A
Electrical Safety	IEC 335
Electrical Enclosure Protection	Moulded IP67 (EN 60529) with plug-connector
Standard Voltages	DC (=): 12 - 24V (+10% -5%)
(Other voltages and frequencies on request)	AC (~): 24V/50 - 110V/50 Hz 230V/50-60 Hz (+10% -15%)

Operator Ambient Temperature Range °C (°F)	Type	Power Ratings			Replacement Coils		
		Holding ~		Hot/Cold =	~	=	
		(VA)	(W)	(W)	230 V/50-60Hz	24 VDC	12 VDC
-10 to +60 (14 to 140)	S0	-	-	5.0	-	533593-001	533593-004
		9.0	9.0	9.0	533593-003	533593-002	533593-005
	L0	-	-	5.0	-	533598-001	-
		-	-	9.0	-	533598-002	-

Availability, design and specifications are subject to change without notice. All rights reserved.

Specifications

Series	Function	Pipe Connection	Orifice Size in mm (inches)	Flow Coefficient in Kv (in Cv)	Operating Pressure Gas in bar (in psi)	Operating Pressure Liquid in bar (in psi)	Power Rating AC (VA)	Power Rating DC (W)
275	2/2 NC	G 1/8, Barbed Ports or Barbed Ports with ring nut	1.6 mm (0.06 in)	0.09 (0.10)	0 - 10 (0 - 145)	0 - 10 (0 - 145)	9	5
		G 1/8, Barbed Ports or Barbed Ports with ring nut	2.3 mm (0.09 in)	0.15 (0.17)	0 - 10 (0 - 145)	0 - 10 (0 - 145)	9	5
		G 1/8, Barbed Ports or Barbed Ports with ring nut	3.2 mm (0.13 in)	0.25 (0.29)	0 - 10 (0 - 145) 0 - 6 (0 - 87) for DC coils	0 - 10 (0 - 145) 0 - 6 (0 - 87) for DC coils	9	5
	2/2 NO	Barbed Ports	2.5 mm (0.10 in)	0.14 (0.16)	0 - 5 (0 - 72.5)	0 - 5 (0 - 72.5)	9	9
		G 1/8 or Barbed Ports Barbed Ports with ring nut	3.0 mm (0.12 in)	0.18 (0.21) 0.15 (0.17)	0 - 2.5 (0 - 36.2)	0 - 2.5 (0 - 36.2)	9	9
		Barbed Ports G 1/4	4.2 mm (0.17 in)	0.26 (0.30) 0.33 (0.38)	0 - 2.5 (0 - 36.2)	0 - 2.5 (0 - 36.2)	9	9
375	3/2 U	G 1/8 or Barbed Ports	2.3 mm (0.09 in)	0.2 (0.23)	0 - 4 (0 - 58)	0 - 4 (0 - 58)	9	9
		Barbed Ports with ring nut		0.12 (0.14)				

How to Order

Fluid Connection Type **G** **275** **A** **100** **S0** **V00** **F1**

Fluid Connection Type
 G = G ISO Connection
 6 = Barbed Fitting
 0 = Nut for Tube

Product Series
 275 = 275 Series (2-Way)

Revision
 A = Initial Release

Item ID _____

Voltage
 F1 = 24 V DC Class F
 F3 = 12 V DC Class F
 FH = 230V/50-60Hz
 F0 = 110 V / 50 Hz (120 V / 60 Hz)
 FQ = 24V/50-60Hz

Sealing and Options
 V00 = FKM

Electrical Connection Type
 S0 = Spade Plug without Connector
 S1 = Spade Plug with Connector
 L0 = Flying Leads

Item	Service	Orifice Size	Wattage AC	Wattage DC
100	NC	1.6	-	5.0
101	NC	2.3	-	5.0
102	NC	3.2	-	5.0
110	NC	1.6	9.0	9.0
111	NC	2.3	9.0	9.0
112	NC	3.2	9.0	9.0
200	NO	3.0	9.0	9.0
201 ⁽¹⁾	NO ⁽¹⁾	4.2 ⁽¹⁾	9.0 ⁽¹⁾	9.0 ⁽¹⁾
202 ⁽²⁾	NO ⁽²⁾	4.2 ⁽²⁾	9.0 ⁽²⁾	9.0 ⁽²⁾

Note:
 (1) Connection type G 1/4" only
 (2) Connection type 6 only

Fluid Connection Type **G** **375** **A** **300** **S0** **V00** **F1**

Fluid Connection Type
 G = G ISO Connection
 6 = Barbed Fitting
 0 = Nut for Tube

Product Series
 375 = 375 Series (3-Way)

Revision
 A = Initial Release

Item ID _____

Voltage
 F1 = 24 V DC Class F
 F3 = 12 V DC Class F
 FH = 230V/50-60Hz
 F0 = 110 V / 50 Hz (120 V / 60 Hz)
 FQ = 24V/50-60Hz

Sealing and Options
 V00 = FKM

Electrical Connection Type
 S0 = Spade Plug without Connector
 S1 = Spade Plug with Connector
 L0 = Flying Leads

Item	Service	Orifice Size
300	U	2.3

ASCO™ Miniature Solenoid Valves

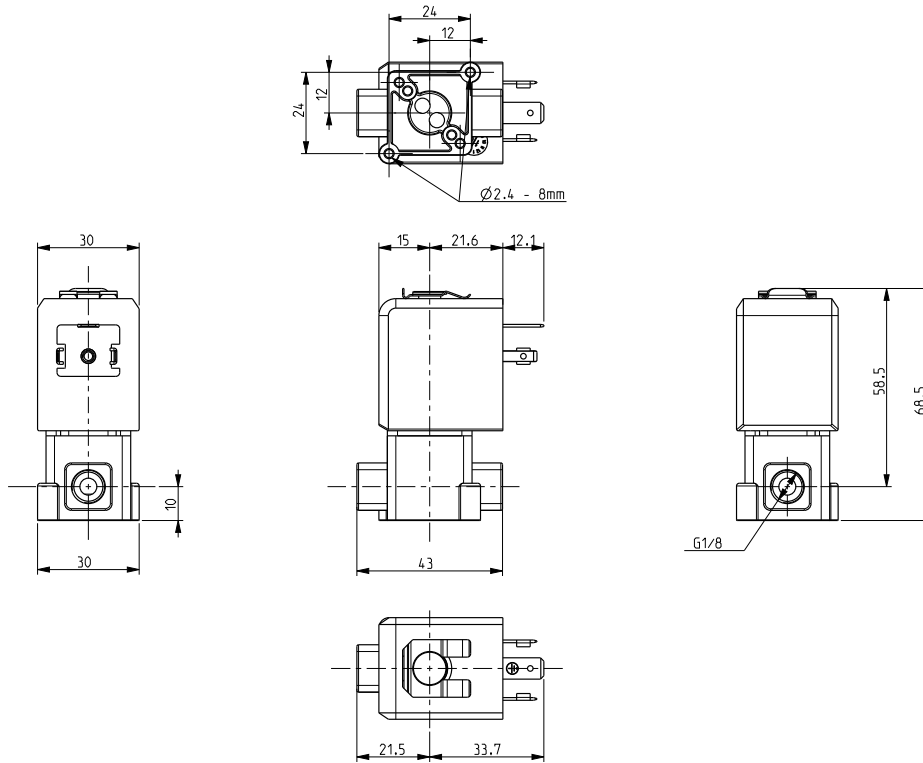
General Service Valves

Series

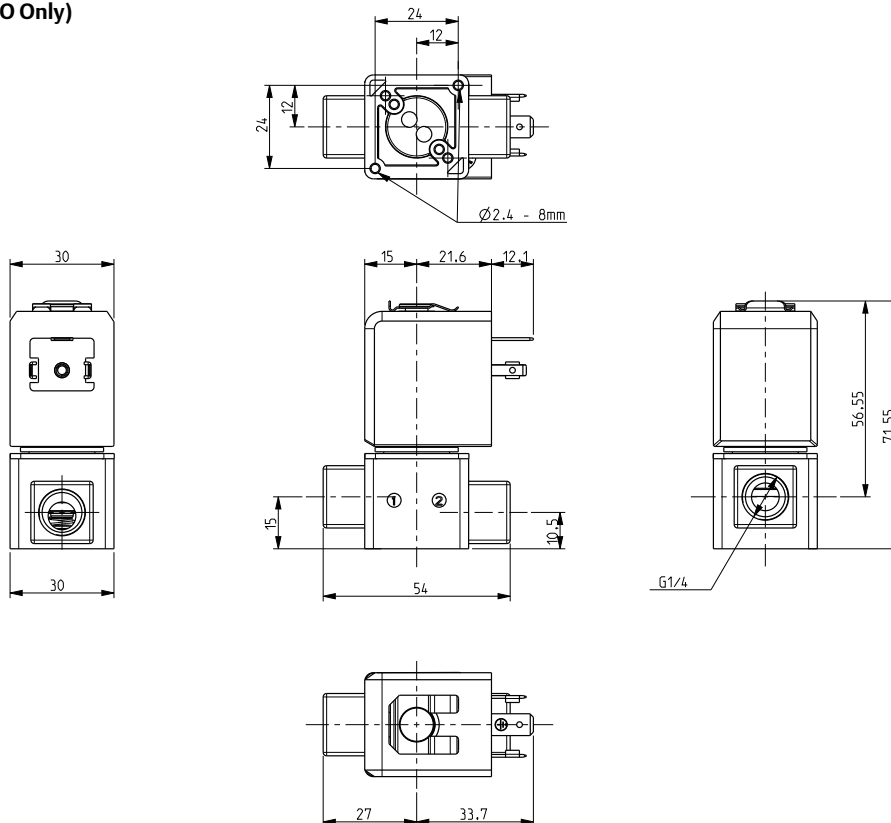
275 | 375

Dimensions (mm)

Series 275 G1/8 Connection

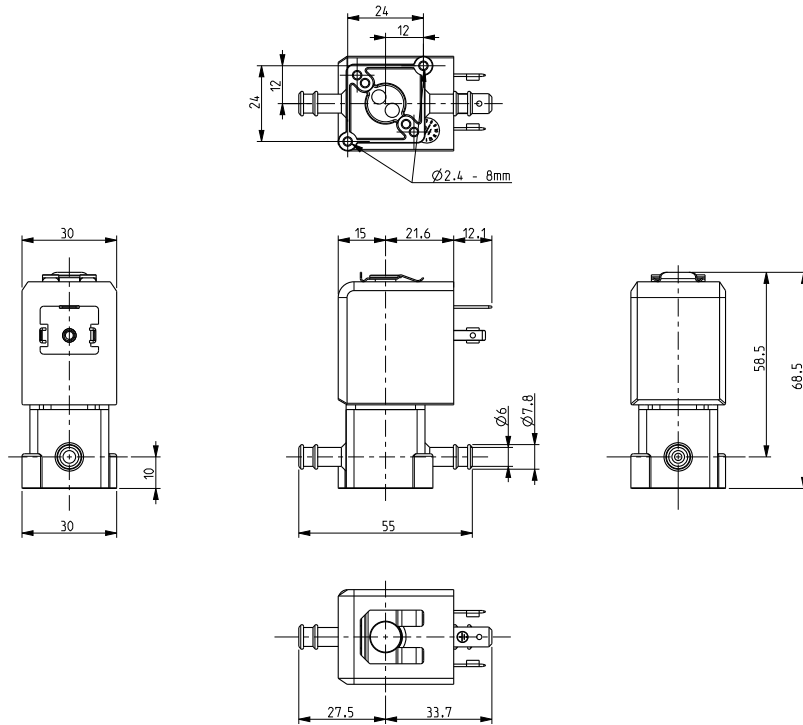


Series 275 G1/4 Connection (2/2 NO Only)

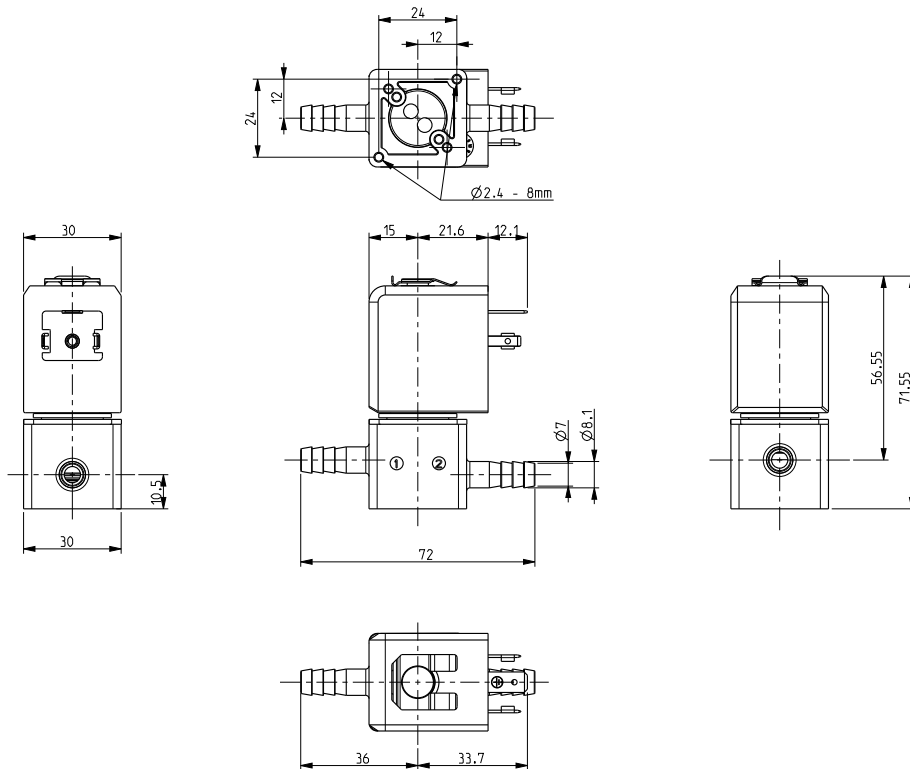


Dimensions (mm)

Series 275
Barbed Ports (2/2 NC)



Series 275
Barbed Ports (2/2 NO)



ASCO™ Miniature Solenoid Valves

General Service Valves

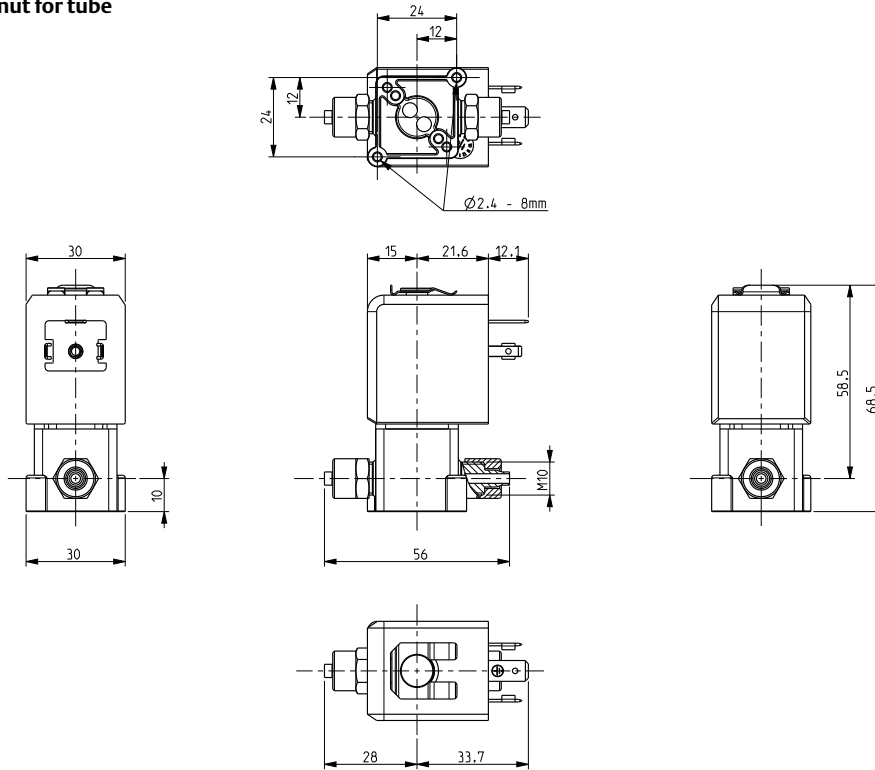
Series

275 | 375

Dimensions (mm)

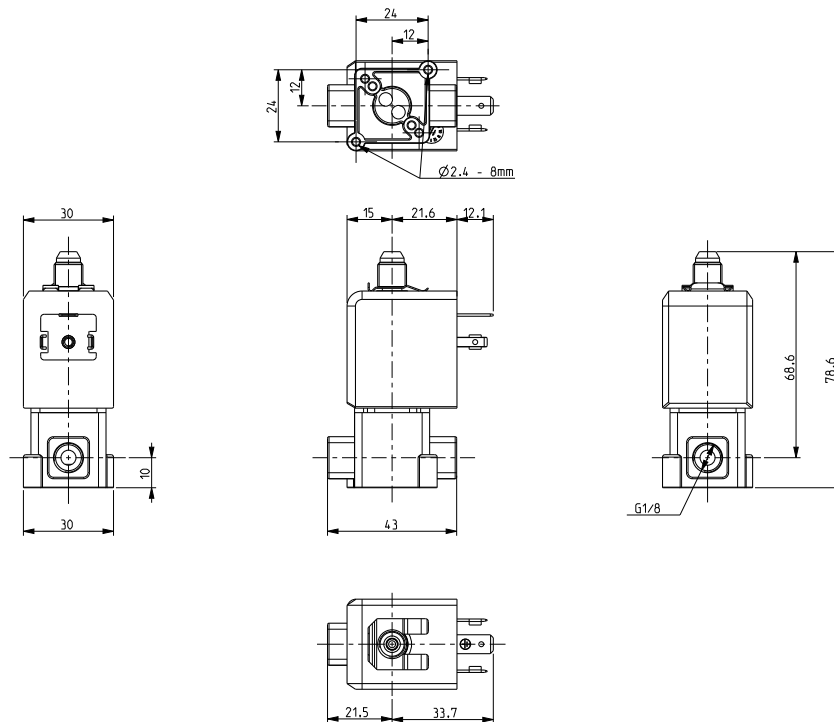
Series 275

Barbed Ports with ring nut for tube



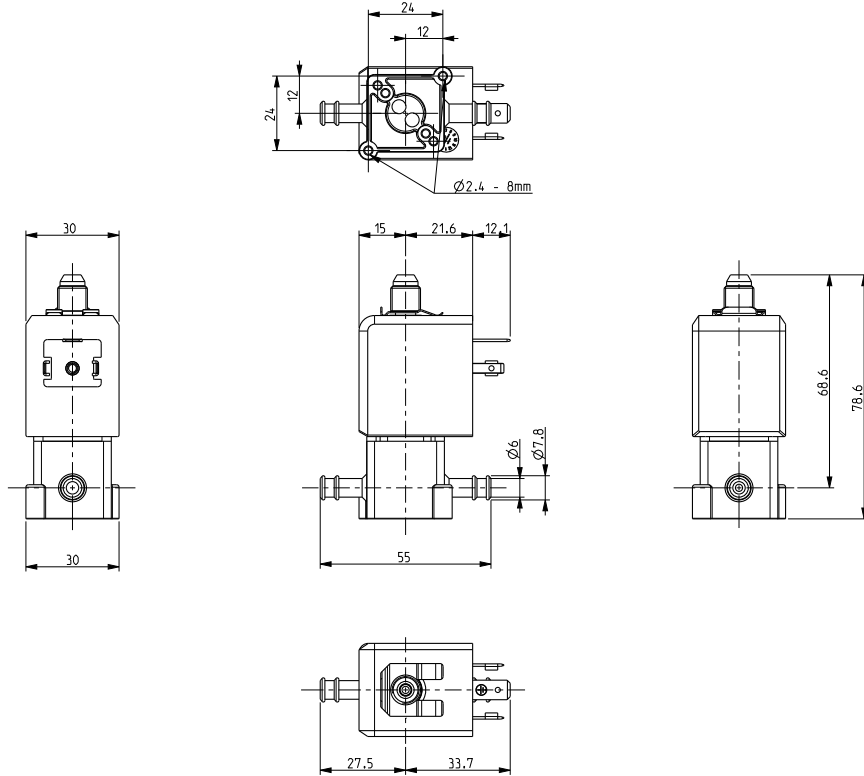
Series 375

G 1/8 Connection



Dimensions (mm)

Series 375
Barbed Ports



Series 375
Barbed Ports with ring nut for tube

