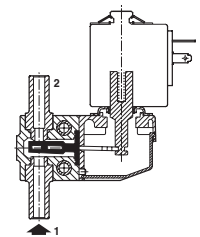
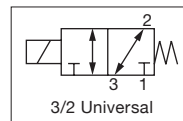
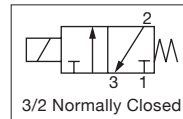
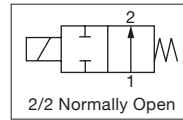
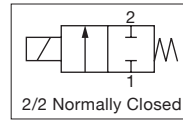


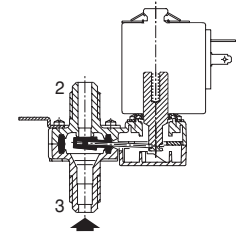
# ASCO™ MINIATURE SOLENOID VALVES

## LEVER SOLENOID FLUID ISOLATION VALVES

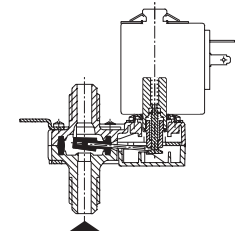
- Lever mechanism isolation valves designed for use with aggressive and corrosive liquids and gases in analytical instrumentation and the chemical manufacturing industries
- Large orifice sizes make these valves ideal for high flow-rate and high pressure applications
- Ideally suited for quickly flushing systems of corrosive media and routing aggressive reagents to chemical reaction vessels and waste containers
- Available in both a 2-Way normally closed and normally open versions, as well as 3-Way normally closed, normally open and universal versions; each with multiple connection options
- Meets all relevant CE directives, and is RoHS compliant
- Typical applications include:
  - Raw-material Chemical Manufacturing
  - Pharmaceutical
  - Chip/Wafer Manufacturing
  - Waste Water Treatment



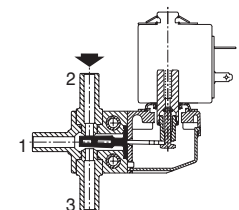
2/2 NC Function



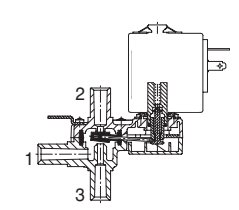
2/2 NC Function



2/2 NO Function



3/2 NC Function



3/2 U Function

Fluids*	Temperature Range	Seal Materials*
Air, Inert Gases, Filtered Water, Oil or Liquids	-10 °C to 100 °C (14 °F to 212 °F)	VMQ (silicone) FKM (fluoroelastomer) EPDM (ethylene-propylene)

\* Ensure that the compatibility of the materials in contact with the fluids is verified

General Valve Information		
Body	PEI (polyetherimide)	G 1/2: PPS (polypropylene sulphide)
Response Time	~ 25ms	
Max. Viscosity	37 cSt (mm <sup>2</sup> /s)	

Electrical Characteristics	
Coil Insulation Class	F
Connector	Spade plug (cable Ø6-8mm or Ø6-10mm)
Connector Specification	with coil 6W/6W (BMX) DIN 43650, 11mm, industry standard B, with coil 8W/9W (AMX) ISO 4400/EN 175301-803, form A
Electrical Safety	IEC 335
Electrical Enclosure Protection	Molded IP65 (EN 60529)
Standard Voltages <sup>1</sup>	12 VDC, 24 VDC AC ~: 24 V to 115 V to 230 V/50 Hz (BMX = 50 – 60 Hz)

<sup>1</sup> Other voltages and 60 Hz available on request

Prefix Option	Power Ratings				Ambient Temperature Range °C (°F)	Replacement Coil		Type <sup>1</sup>
	Inrush VA	Holding VA	Hot/ Cold W			230 V/50 Hz	24 VDC	
			W	W				
SC	16	10	6	6	-10 to 60 (14 to 40)	43005164	43005149	01 (BMX)
	23	14	8	9	-10 to 60 (14 to 40)	43005149	43005144	02 (AMX)
	44	24	8	13	-10 to 60 (14 to 40)	43005320	43005317	03 (FNX)

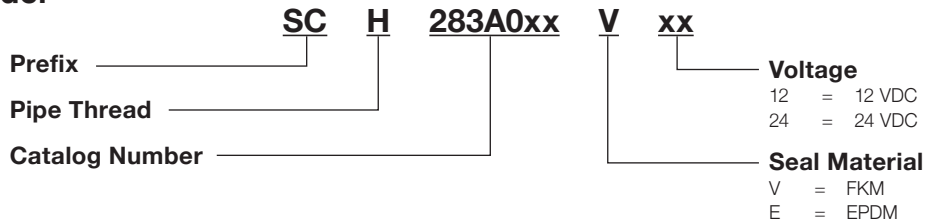
<sup>1</sup> Refer to the dimensional drawings on the following page

01021GB-2019-R01

Specifications												
Spigot O.D.	Pipe connection	Orifice Size	Flow coefficient		Operating Pressure bar (psi)			Power Rating (W)		Catalog number	Options	
			Kv (m³/h)	Cv	min.	max.		~	=		FKM	EPDM
mm (inches)		mm (inches)					inert gases	liquids				
<b>2/2 NC - Normally closed, VMQ Seals</b>												
8 (0.31)	-	2.7 (0.11)	0.23	0.27	0	5 (72.5) [10/145]	5 (72.5)	6	6	SCH283A003	V	E
8 (0.31)	-	3.4 (0.13)	0.30	0.35	0	3 (43.5) [6/87]	3 (43.5)	6	6	SCH283A004	V	E
11 (0.43)	-	5.5 (0.22)	0.55	0.64	0	1.5 (21.8)	1 (14.5)	8	9	SCH283A010	-	-
-	G 1/4	3.2 (0.13)	0.32	0.37	0	1.5 (21.8)	1.5 (21.8)	8	9	SCG283A013	-	-
-	G 1/4	5.5 (0.22)	0.55	0.64	0	1.5 (21.8)	1 (14.5)	8	9	SCG283A014	-	-
<b>2/2 NC - Normally closed, EPDM Seals</b>												
11 (0.43)	-	5.5 (0.22)	0.55	0.64	0	4.5 (65.3)	1 (14.5)	8	9	SCH283A008E	V	-
-	G 1/4	3.2 (0.13)	0.32	0.37	0	10 (145)	2.4 (34.81)	8	9	SCG283A011E	V	-
-	G 1/4	5.5 (0.22)	0.55	0.64	0	4.5 (65.3)	1 (14.5)	8	9	SCG283A012E	V	-
-	G 1/2	10 (0.394)	1.6	1.85	0	1.6 (23.2)	0.25 (3.63)	13	13	SCG283C006E	V	-
<b>2/2 NO - Normally open, VMQ Seals</b>												
8 (0.31)	-	3.4 (0.13)	0.30	0.35	0	3 (43.5) [6/87]	3 (43.5)	6	6	SCH283A016	V	E
<b>2/2 NO - Normally open, FKM Seals</b>												
11 (0.43)	-	5.5 (0.22)	0.55	0.64	0	1.5 (21.8)	1 (14.5)	8	9	SCH283A018V	-	-
<b>3/2 NC - Normally closed, VMQ Seals</b>												
8 (0.31)	-	3.4 (0.13)	0.30	0.35	0	1 (14.5)	1 (14.5)	6	6	SCH383A003	V	E
<b>3/2 NO - Normally open, FKM Seals</b>												
8 (0.31)	-	3.4 (0.13)	0.30	0.35	0	2.5 (36.2)	2 (29)	6	6	SCH383A004V	-	-
-	G 1/2	9 (0.35)	1.6	1.85	0	0.4 (5.8)	-	13	-*	SCG383C006	-	-
<b>3/2 NO - Normally open, EPDM Seals</b>												
8 (0.31)	-	3.4 (0.13)	0.30	0.35	0	2.5 (36.2)	2 (29)	6	6	SCH383A004E	-	-
<b>3/2 U - Universal, VMQ Seals</b>												
11 (0.43)	-	3.2 (0.12)	0.28	0.32	0	1.5 (21.8)	1.5 (21.8)	8	9	SCH383A007	V	E
-	G 1/4	3.2 (0.12)	0.28	0.32	0	1.5 (21.8)	1.5 (21.8)	8	9	SCG383A008	V	E

\* AC Version available only  
[ ] Value for pressure with FKM and EPDM seals

### How to Order



# ASCO™ MINIATURE SOLENOID VALVES

## LEVER SOLENOID FLUID ISOLATION VALVE

**SERIES**  
**283/383**

Dimensions: mm (inches)

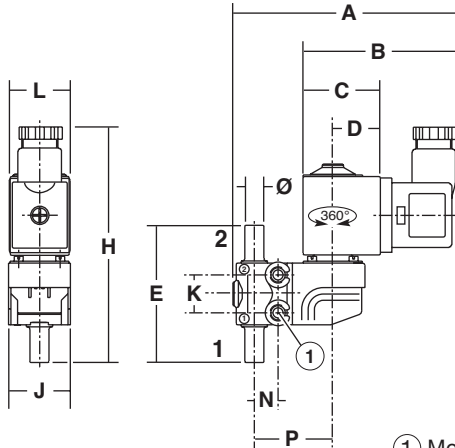


**TYPE 01**  
Prefix "SC" Solenoid  
DIN 43650



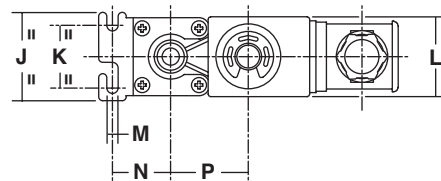
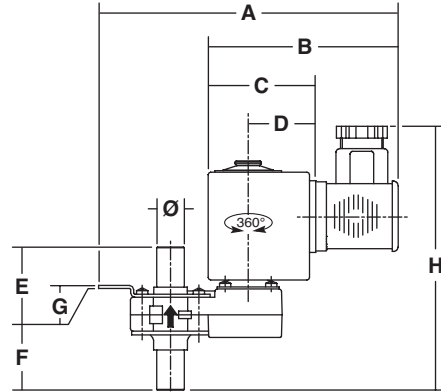
**TYPE 02**  
Prefix "SC" Solenoid  
ISO 4400

**SCH283A003/A004/A016**



① Mounting: 2 holes  
4.3mm (0.17in)

**SCH283A010/A008/A018V**



**Pressure inlet:**

NC function: orifice 1 (type 01) or arrow on body (type 02)  
NO function: orifice 2 (type 01) or arrow on body (type 02)

Type	Prefix Option	Catalog Number	A	B	C	D	E	F	G	H	J	K	L	M	N	P	Weight <sup>2</sup> kg
01	SC	SCH283A003/A004	94	64.5	33.5	21	58	-	-	97	26	16	25	-	10	33	0.170
		SCH283A016	(3.7)	(2.54)	(1.32)	(0.83)	(2.28)	-	-	(3.82)	(1.02)	(0.63)	(0.98)	-	(0.39)	(1.30)	0.200
02	SC	SCH283A010/A008E/018V	121.5	78	43	27	16.5	40.5	1.2	105	35	25	32	4.5	23	31	0.285
			(4.78)	(3.07)	(1.69)	(1.06)	(0.65)	(1.59)	(0.047)	(4.13)	(1.38)	(0.98)	(1.26)	(0.18)	(0.91)	(1.22)	

<sup>2</sup> Including coil(s) and connector(s)

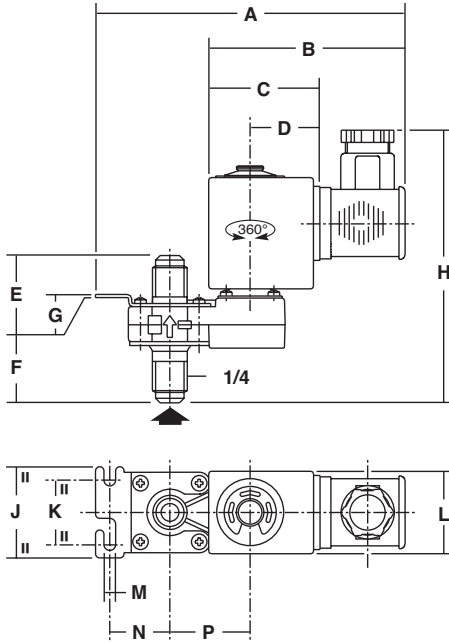
01021GB-2019-R01

**Dimensions: mm (inches)**



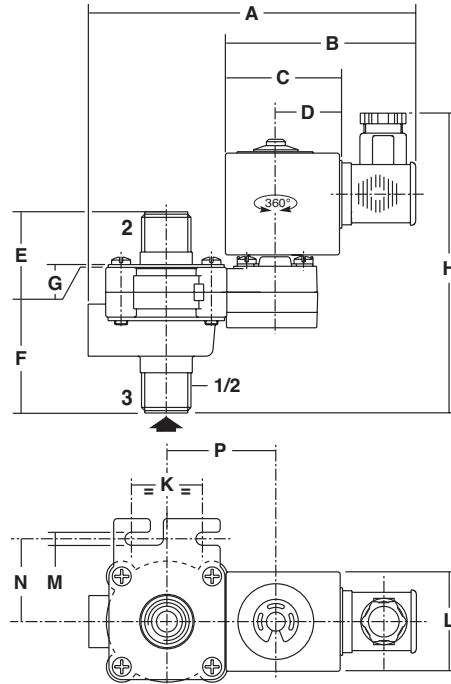
**TYPE 01**  
Prefix "SC" Solenoid  
ISO 4400

**SCG283A011/012/  
013/014/019V**



**TYPE 02**  
Prefix "SC" Solenoid  
ISO 4400

**SCG283C006**



**Pressure inlet:**

NC function: arrow on body (type 01) or orifice 3 (type 02)  
NO function: arrow on body (type 01)

Type	Prefix Option	Catalog Number	A	B	C	D	E	F	G	H	J	K	L	M	N	P	Weight <sup>2</sup> kg
01	SC	SCG283A011E/ 012E/013/014/019V	121.5 (4.78)	78 (3.07)	43 (1.69)	27 (1.06)	16.5 (0.65)	40.5 (1.59)	1.2 (0.047)	105 (4.13)	35 (1.38)	25 (0.98)	32 (1.26)	4.5 (0.177)	23 (0.906)	31 (1.22)	0.285
02	SC	SCG283C006E	142.5 (5.61)	84 (3.31)	49 (1.93)	28 (1.10)	23.5 (0.93)	61.5 (2.42)	1.2 (0.047)	128 (5.04)	-	30 (1.18)	42 (1.65)	5.5 (0.217)	35 (1.38)	46 (1.81)	0.57

<sup>2</sup> Including coil(s) and connector(s).

# ASCO™ MINIATURE SOLENOID VALVES

## LEVER SOLENOID FLUID ISOLATION VALVE

**SERIES**  
**283/383**

Dimensions: mm (inches)

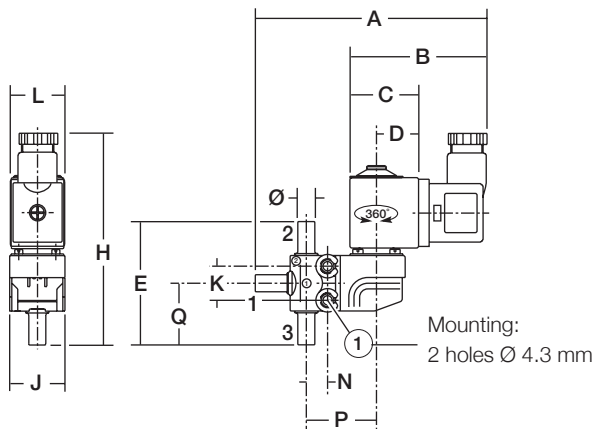


**TYPE 01**  
Prefix "SC" Solenoid  
DIN 43650

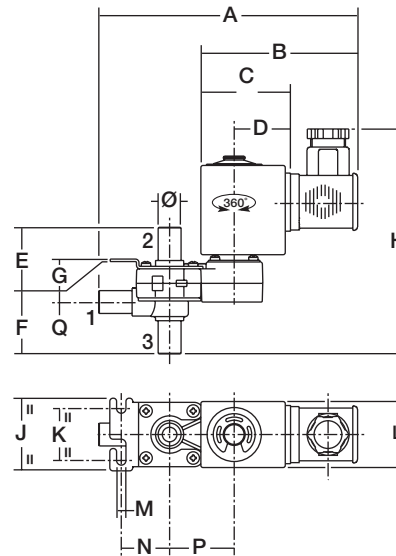


**TYPE 02**  
Prefix "SC" Solenoid  
ISO 4400

**SCH383A003 / A004V / A004E**



**SCH383A007**



**Pressure inlet:**

NC function: orifice 2 (type 01)  
NO function: orifice 3 (type 01)  
U function: all orifices (type 02)

Type	Prefix Option	Catalogue number	A	B	C	D	E	F	G	H	J	K	L	M	N	P	Q	Weight <sup>2</sup> kg
01	SC	SCH383A003/A004V/A004E	111 (4.37)	64.5 (2.54)	33.5 (1.32)	21 (0.83)	58 (2.28)	-	-	97 (3.82)	26 (1.02)	16 (0.63)	25 (0.98)	-	10 (0.39)	33 (1.30)	29 (1.14)	0.200
02	SC	SCH383A007	127 (5.0)	78 (3.07)	43 (1.69)	27 (1.06)	16.5 (0.65)	40.5 (1.59)	1.2 (0.05)	105 (4.13)	35 (1.38)	25 (0.98)	32 (1.26)	4.5 (0.18)	23 (0.91)	31 (1.22)	19.5 (0.77)	0.345

<sup>2</sup> Including coil(s) and connector(s).

01021GB-2019-R01

**Dimensions: mm (inches)**



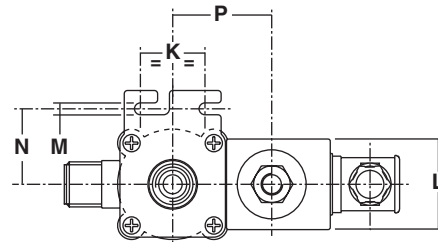
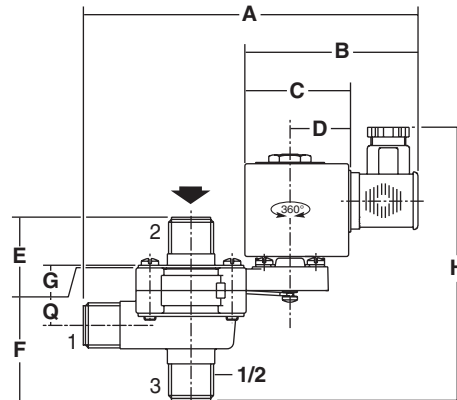
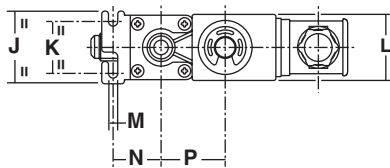
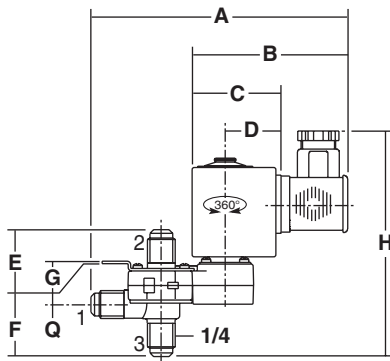
**TYPE 01**  
Prefix "SC" Solenoid  
ISO 4400

SCG383A008



**TYPE 02**  
Prefix "SC" Solenoid  
ISO 4400

SCG383C006



Type	Prefix option	Catalogue number	A	B	C	D	E	F	G	H	J	K	L	M	N	P	Q	Weight <sup>2</sup> kg
01	SC	SCG383A008	127 (5.0)	78 (3.07)	43 (1.69)	27 (1.06)	16.5 (0.65)	44.5 (1.75)	1.2 (0.05)	109 (4.29)	35 (1.38)	25 (0.98)	32 (1.26)	4.5 (0.18)	23 (0.91)	31 (1.22)	19.5 (0.77)	0.345
02	SC	SCG383C006	159 (6.26)	84 (3.31)	49 (1.93)	28 (1.10)	23.5 (0.93)	61.5 (2.42)	1.2 (0.05)	128 (5.04)	-	30 (1.18)	42 (1.65)	5.5 (0.22)	35 (1.38)	46 (1.81)	26.5 (1.04)	0.51

<sup>2</sup> Including coil(s) and connector(s).

**Options**

- Valves can also be supplied with FKM (fluoroelastomer) and EPDM (ethylene-propylene) seals.
- Plug with visual indication and peak voltage suppression or with cable length of 2m (78.7in)

**Installation**

- The solenoid valves can be mounted in any position without affecting operation. For optimum performance mount solenoid vertical and upright
- Replacement coils are available: BMX: DC: 12 V, cat. no.: **43005158** /AC: 24 V, cat. no.: **43005161**; 115 V, cat. no.: **43005162** AMX: DC: 12 V, cat. no.: **43005143**/AC: 24 V, cat. no.: **43005146**; 115 V, cat. no.: **43005147**