

## Features

- Air-only design for cylinder control
- Up to eight single and dual solenoid valves, in any combination, can be manifolded
- Sub-base constructions have separate cylinder connections and common pressure and exhaust connections at each end. Can be assembled in the field by simply inserting tie rods through holes in base
- Group-mounted constructions have common pressure connections at each end and separate cylinder and exhaust connections
- Can be factory assembled or grouped in the field with strong snap-on clamps, supplied

## Construction

Valve Parts in Contact with Fluids	
Body	Hard Anodized Aluminum
Disc	PE
Core Tube	305 Stainless Steel
Core and Plugnut	430F Stainless Steel
Core Spring	302 Stainless Steel
Shading Coil	Copper
Seals	NBR
Miscellaneous	PA, CA

## Electrical

Standard Coil and Class of Insulation	Watt Rating and Power Consumption				Spare Coil Part Number			
	DC Watts	AC			General Purpose		Explosionproof	
		Watts	VA Holding	VA Inrush	AC	DC	AC	DC
F	-	10.5	24	65	64982	-	64982	-
F	19.7	16.7	36	85	64982	66611	64982	66611
F	-	10.1	25	70	238610	-	238614	-
F	22.6	17.1	40	93	238610	238710	238614	238714

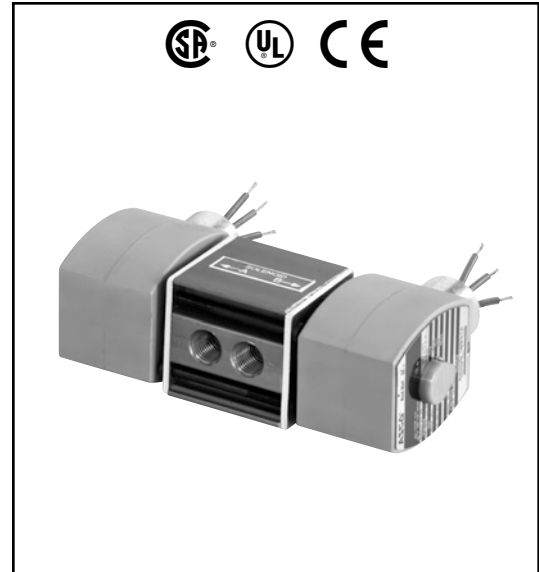
**Standard Voltages:** 24, 120, 240, 480 volts AC, 60 Hz (or 110, 220 volts AC, 50 Hz).  
 6, 12, 24, 120, 240 volts DC. Must be specified when ordering.  
 Other voltages available when required.

## Solenoid Enclosures

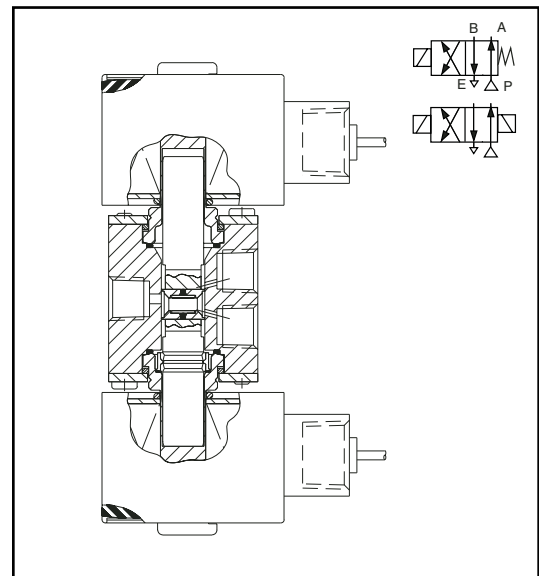
**Standard:** RedHat II - Watertight, Types 1, 2, 3, 3S, 4, and 4X; RedHat - Type 1.

**Optional:** RedHat II - Explosionproof and Watertight, Types 3, 3S, 4, 4X, 6, 6P, 7, and 9 (For 8340G001 and 8340G002 only); RedHat - Types 3, 4, 4X, 7, and 9. (To order, add prefix "EF" to catalog number.)

See *Optional Features Section* for other available options.



4-WAY



## Nominal Ambient Temp. Ranges

AC: 32°F to 125°F (0°C to 52°C)  
 DC: 32°F to 77°F (0°C to 25°C)(104°F/40°C occasionally)  
 Refer to *Engineering Section* for details.

## Leakage

Break-in leakage rate of 2 SCFH is reduced to a very slight amount as the valve wears in.

## Approvals

CSA certified. AC is UL listed as General Purpose Valve. RedHat II meets applicable CE directives.  
 Refer to *Engineering Section* for details.

**Specifications (English units)**

Pipe Size (in)	Orifice Size (in)	Cv Flow Factor	Operating Pressure Differential (psi)		Max. Fluid Temp. °F		Aluminum Body Catalog Number	Watt Rating/ Class of Coil Insulation	
			Max. AC	Max. DC	AC	DC		AC	DC
			Air-Inert Gas	Air-Inert Gas					
<b>SINGLE VALVE CONSTRUCTION - Single Solenoid</b>									
1/4	5/64	.10	150	100	104	95	8340G001	17.1/F	22.6/F
<b>SINGLE VALVE CONSTRUCTION - Dual Solenoid</b>									
1/4	5/64	.10	150	100	104	95	8340G002	10.1/F	22.6/F
<b>GROUP MOUNTED CONSTRUCTION - Single Solenoid</b>									
1/4	5/64	.10	150	100	104	95	8340A003	16.7/F	19.7/F
<b>GROUP MOUNTED CONSTRUCTION - Dual Solenoid</b>									
1/4	5/64	.10	150	100	104 ①	95 ①	8340A008	10.5/F	19.7/F
<b>SUB-BASE MOUNTED CONSTRUCTION - Single Solenoid</b>									
1/4	5/64	.08	150	100	104	95	8340A004	16.7/F	19.7/F
<b>SUB-BASE MOUNTED CONSTRUCTION - Dual Solenoid</b>									
1/4	5/64	.08	150	100	104 ①	95 ①	8340A005	10.5/F	19.7/F

① Rating shown for individual mounted valves; when group mounted, maximum UL allowable fluid and ambient temperature is 86°F.

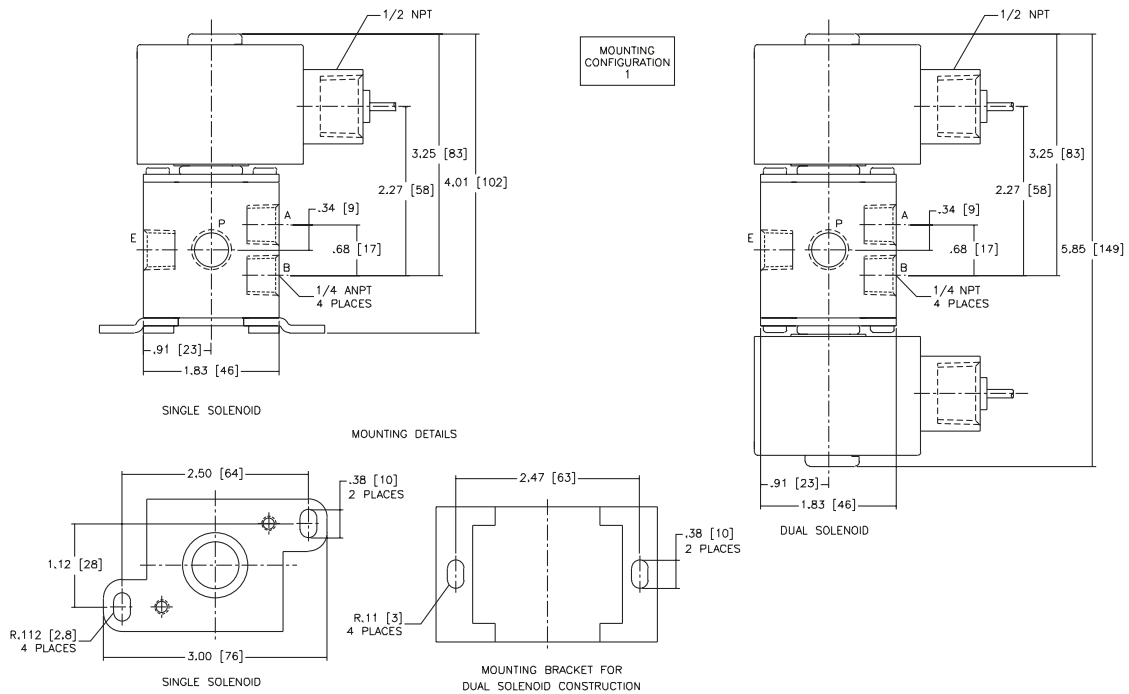
**Specifications (Metric units)**

Pipe Size (in)	Orifice Size (mm)	Kv Flow Factor (m³/h)	Operating Pressure Differential (bar)		Max. Fluid Temp. °C		Aluminum Body Catalog Number	Watt Rating/ Class of Coil Insulation	
			Max. AC	Max. DC	AC	DC		AC	DC
			Air-Inert Gas	Air-Inert Gas					
<b>SINGLE VALVE CONSTRUCTION - Single Solenoid</b>									
1/4	2.0	.09	10	7	40	35	8340G001	17.1/F	22.6/F
<b>SINGLE VALVE CONSTRUCTION - Dual Solenoid</b>									
1/4	2.0	.09	10	7	40	35	8340G002	10.1/F	22.6/F
<b>GROUP MOUNTED CONSTRUCTION - Single Solenoid</b>									
1/4	2.0	.09	10	7	40	35	8340A003	16.7/F	19.7/F
<b>GROUP MOUNTED CONSTRUCTION - Dual Solenoid</b>									
1/4	2.0	.09	10	7	40 ①	35 ①	8340A008	10.5/F	19.7/F
<b>SUB-BASE MOUNTED CONSTRUCTION - Single Solenoid</b>									
1/4	2.0	.07	10	7	40	35	8340A004	16.7/F	19.7/F
<b>SUB-BASE MOUNTED CONSTRUCTION - Dual Solenoid</b>									
1/4	2.0	.07	10	7	40 ①	35 ①	8340A005	10.5/F	19.7/F

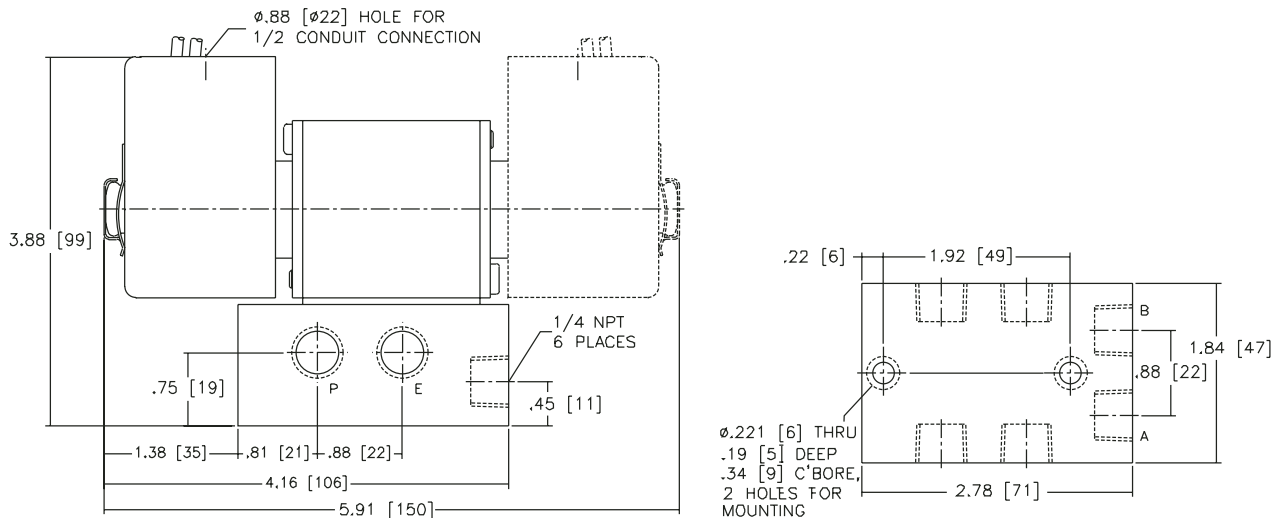
① Rating shown for individual mounted valves; when group mounted, maximum UL allowable fluid and ambient temperature is 30°C.

## Dimensions: inches (mm)

### Single Valve Construction - Single And Dual Solenoids



### Sub-Base Mounted Single and Dual Solenoid Construction



**Note: Dual solenoid shown dotted in.**

4-WAY

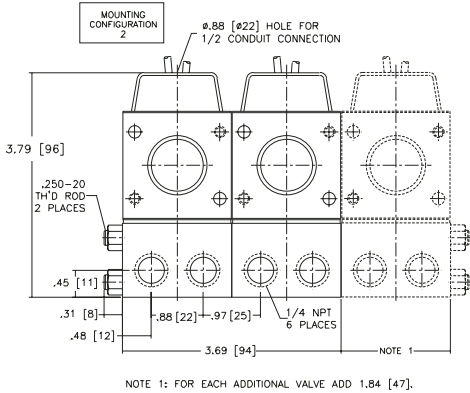
**Dimensions: inches (mm)**

4-WAY

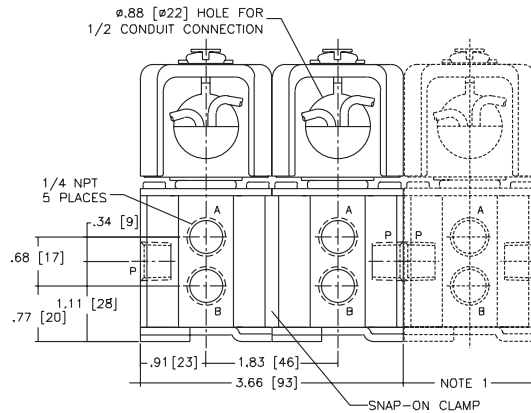
Mounting Brackets		
Catalog Number	With General Purpose Solenoid Enclosure	When Manual Operator is Used
8340G001	Mounting Holes on Body	Order Kit No. 206-737
8340G002	Standard	NA
8340A003	Mounting Holes on Body	Order Kit No. 206-554
8340A004	Mounting Holes on Body	NA
8340A005	Mounting Holes on Body	NA
8340A008	Standard when factory assembled, but must order Kit No. 206-554 for Individual valves.	NA

NA - Not Available

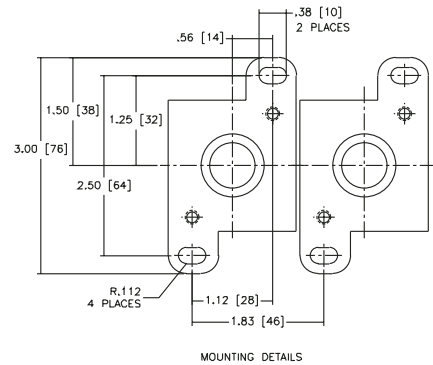
**Sub-Base Mounted Construction  
(Shown As Group-Mounted)**



**Group-Mounted Construction  
Single Solenoid**



NOTE 1: FOR EACH ADDITIONAL VALVE ADD 1.83 [46].



**Group-Mounted Construction - Dual Solenoid**

