
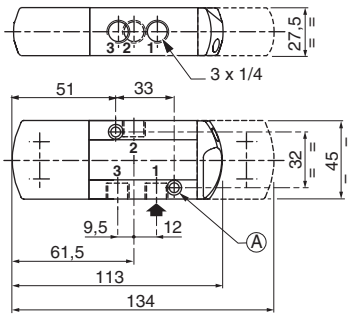


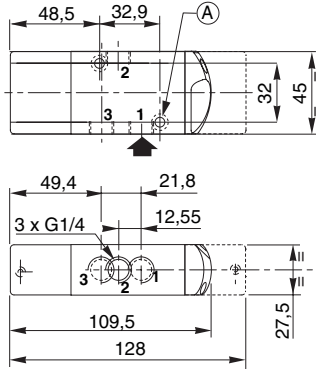
**3/2 NC
SERIES
551 - 553**

Dimensions (mm), Weight (kg) 

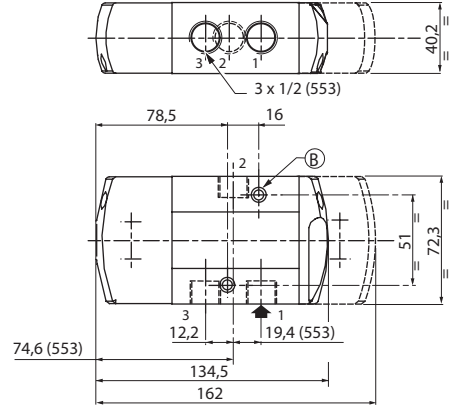
Types: 01 - 02
(551 Series)



Types: 03 .. 07
(551 Series)



Types: 01 .. 07
(553 Series)



Ⓐ 2 mounting holes: 5,3 mm dia.;
Spotfacing: 9 mm dia., depth 5 mm

Ⓑ 2 mounting holes: 6,5 mm dia.;
Spotfacing: 11 mm dia., depth 6 mm



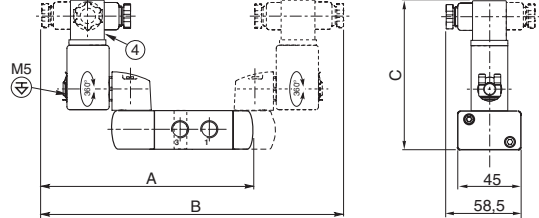
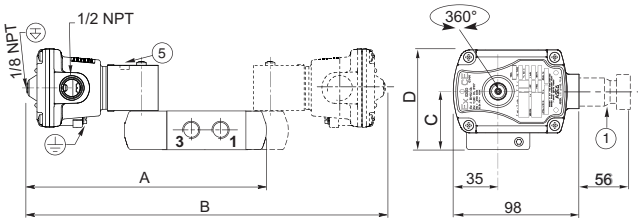
TYPE 01:
314 pilot/LPKF operator
EN/IEC 60079-1, 60079-31

551/553: Contact us



TYPE 02:
Aluminium
195/LISC: EN 60079-11

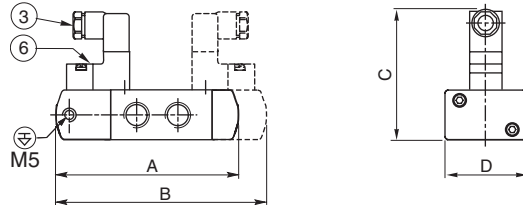
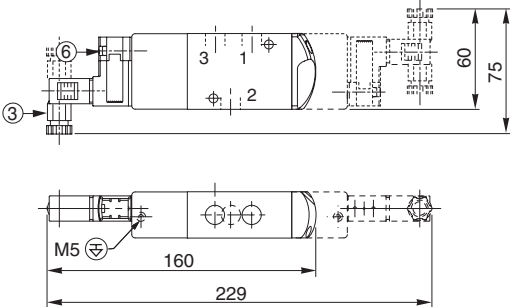
551B205 / B206
553A205 / A206

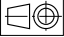


TYPE 03:
Polyarylamide
302 pilot
CFSC: IEC 335 / DIN 43650

551C505 / 551C506
551C505MS / 551C505MO / C506MS / C506MO

553A505 / A505MS / A505MO / A506 / A506MS / A506MO



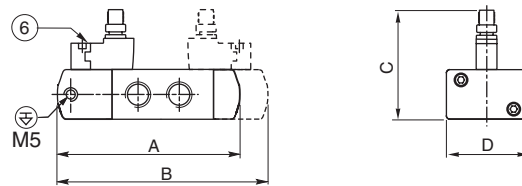
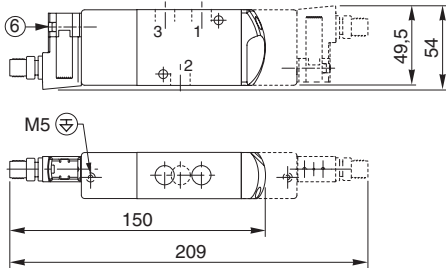
Dimensions (mm), Weight (kg) 



TYPE 04:
Polyarylamide
302 pilot
CFVT: IEC 335 / M12 connection + LED and protection

551C505 / 551C506
551C505MS / 551C505MO / C506MS / C506MO

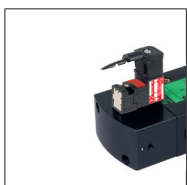
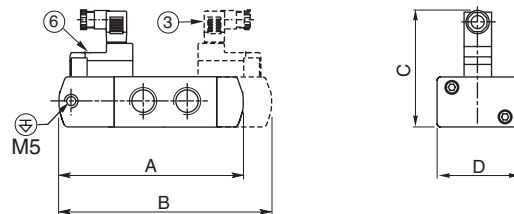
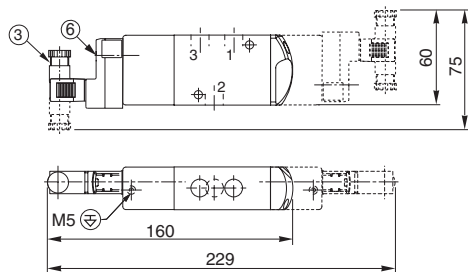
553A505 / A505MS / A505MO / A506 / A506MS / A506MO



TYPE 05:
Polyamide
Piezotronic pilot
PISC: IEC 335 / DIN 43650
PISCIS: EN/IEC 60079-11, 60079-26

551C505MO / 551C506MO

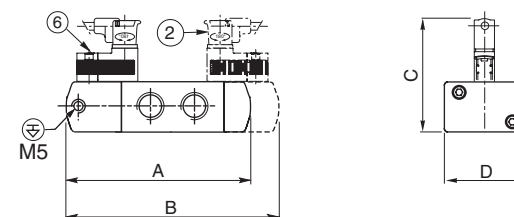
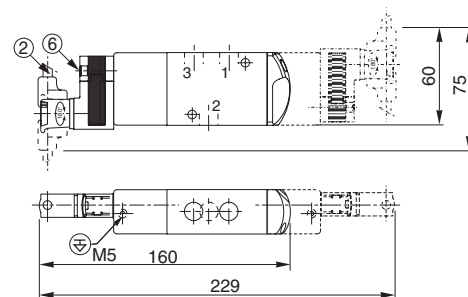
553A505MO / A506MO



TYPE 06:
Polyarylamide
302 pilot
CFSCZN: EN 60079-15, 60079-31

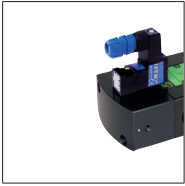
551C505MO / 551C506MO

553A505MO / A506MO



**3/2 NC
SERIES
551 - 553**

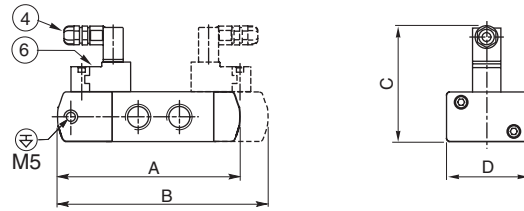
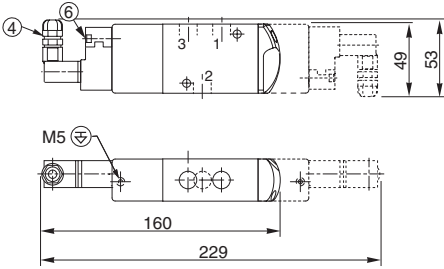
Dimensions (mm), Weight (kg)



TYPE 07:
Polyarylamide
302 pilot
CFSCIS: EN/IEC 60079-11, 60079-26

551C505MO / 551C506MO

553A505MO / A506MO



- ① Ex d certified cable gland (on request)
- ② Three-core cable, length 2 m
- ③ Connector rotatable by 90° increments, cable Ø 4 - 6 mm
- ④ Connector rotatable by 90° increments, cable Ø 6 - 8 mm
- ⑤ Screw type manual operator, suffix MS

- ⑥ Push type manual operator, suffix MO
- ⊕ Connectable pilot exhaust port

type	prefix/option	power level	A		B		C		D		weight ⁽¹⁾			
			551	553	551	553	551	553	551	553	monostable		bistable	
			551	553	551	553	551	553	551	553	551	553	551	553
01	314/LPKF ⁽²⁾	BP	185	219,5	278	330	43	55,7	74	86,7	1,19	1,94	1,93	3,02
02	LISC	LP	164	204,5	236	284	107	116,5	45	72,3	0,59	1,34	0,80	2,42
03	CFSC	LP	-	134,5	-	162	-	90,2	-	72,3	0,33	1,00	0,38	2,08
04	CFVT	LP	-	134,5	-	162	-	79,2	-	72,3	0,33	1,00	0,38	2,08
05	PISC / PISCIS	UP	-	134,5	-	162	-	90,2	-	72,3	0,31	1,00	0,32	2,08
06	CFSCZN	LP	-	134,5	-	162	-	90,2	-	72,3	0,41	1,08	0,54	2,24
07	CFSCIS	LP	-	134,5	-	162	-	91,2	-	72,3	0,34	1,02	0,4	2,12

⁽¹⁾ Incl. coil(s) and connector(s).

⁽²⁾ 314/LPK: Contact us

Accessories

ØA	M5	1/8	1/4	3/8	1/2
B	4,5	-	11	11	14

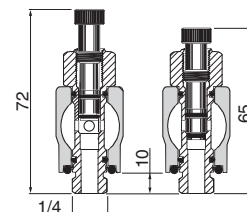
**exhaust protector
(stainless steel)**

Accessories (551 Series)

Supply rail (supplied with seals and banjo bolts, without mounting brackets)		
supply rail for "n" valves	catalogue number	
	G 1/4	NPT 1/4
2	88100034	88100053
3	88100035	(1)
4	88100036	88100054
5	88100037	88100058
6	88100038	88100055
7	88100039	88100059
8	88100040	88100060

(1) Available on request.

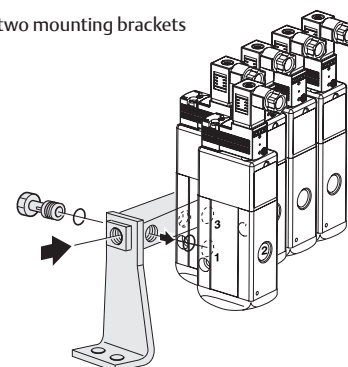
supply rail with isolation valves with mounting brackets (Allows the isolation of one or more valves from the general pressure supply)		
supply rail for "n" valves	catalogue number	
	G 1/4	NPT
2	88100915	-
3	88100916	-
4	88100917	-
5	88100918	-
6	88100919	-
7	88100920	-
8	88100921	-
9	88100922	-
10	88100923	-
11	88100924	-
12	88100925	-



551 Series	number of valves							
	2	3	4	5	6	7	8	
A	108	136	164	192	220	248	276	
B	92	120	148	176	204	232	260	
C	55	83	111	139	167	195	223	
D	78	106	134	162	190	218	246	
E	42	70	98	126	154	182	210	
type	weight (kg)							
03, monostable/bistable	0,9/1	1,2/1,4	1,5/1,9	1,9/2,3	2,2/2,7	2,5/3,1	2,8/3,5	
04, monostable/bistable	0,9/1	1,2/1,4	1,5/1,9	1,9/2,3	2,2/2,7	2,5/3,1	2,8/3,5	
05, monostable/bistable	0,86/0,92	1,94/1,28	1,42/1,74	1,8/2,1	2,08/2,46	2,36/2,82	2,64/3,18	
06, monostable/bistable	0,9/1	1,2/1,4	1,5/1,9	1,9/2,3	2,2/2,7	2,5/3,1	2,8/3,5	
07, monostable/bistable	0,92/1,02	1,23/1,46	1,54/1,98	1,95/2,4	2,26/2,82	2,57/3,24	2,88/3,66	

mounting brackets (2)	
series	catalogue number
551	88100049

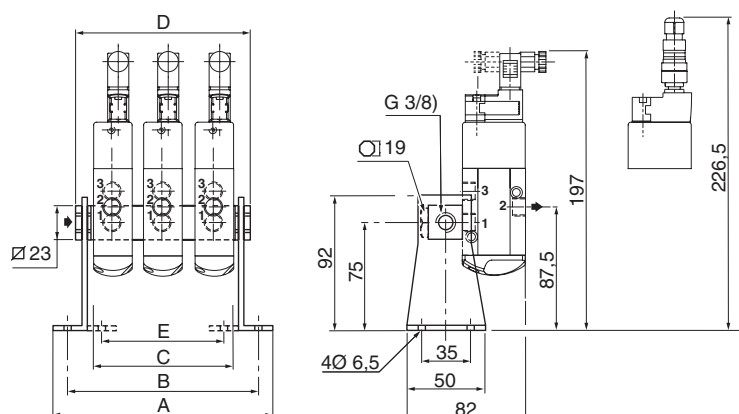
(2) Set of two mounting brackets



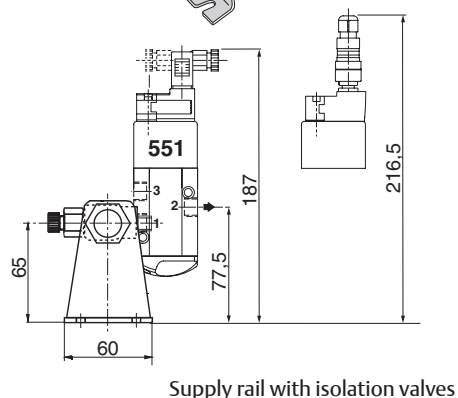
Dimensions (mm), Weight (kg)



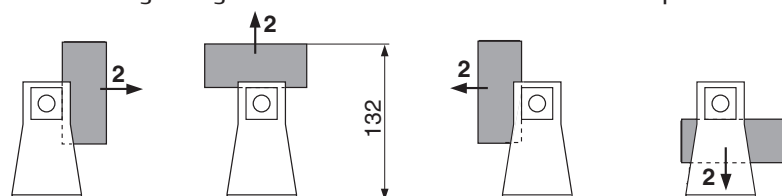
TYPES: 03..07



supply rail with
isolation valves with
mounting brackets



This mounting arrangement allows valves to be mounted in the positions below.



Not possible with
supply rail and
isolation valves

Only with supply rail
with isolation valves

