

AVENTICS™ PROPORTIONAL VALVE SENTRONIC^{PLUS}

DIGITAL ELECTRONIC PRESSURE REGULATOR

- SENTRONIC^{PLUS} is a highly dynamic 3/2-way proportional valve with digital control
- SENTRONIC^{PLUS} stands for:
 - Digital communication and control
 - Direct operated valve
 - Dynamic behaviour (high speed)
 - Exhausting without power supply
- A special feature of the Sentronic^{PLUS} is its DaS software supplied for optimum adjustment over PC and viewing of setpoint and feedback signals. Other functions are valve diagnostics, parameter setting and maintenance.



General Valve Information	
Fluids	Compressed air or inert gases, compressed air according to ISO 8573-1:2010 [7:4:4]
Ports	G/NPT 1/8 - 1/4 - 1/2 - 1
Max. allowable pressure	see "How to Order"
Pressure range	see "How to Order"
Fluid temperature	0...60 °C
Ambient temperature	0...60 °C
Setpoint - analog	0 - 10 V (impedance 100 KΩ) 0 - 20 mA/4 - 20 mA (impedance 250 Ω)
Hysteresis	0.5 % of span
Linearity / pressure measurement	± 0.5 % of span
Repeatability	± 0.5 % of span

Explosion Safety	
Safety code	⚠ II 3D Ex tc IIIC T135 °C Dc X ⚠ II 3G EX ec IIC T4 Gc X, 0 ≤ Ta ≤ +50 °C

Construction	
Body	see "How to Order"
Internal parts	Stainless steel and brass
Seals	FKM and NBR
Note on materials	RoHS compliant

Electrical Characteristics						
Nominal Diameter DN	Voltage *	Max. Power (W)	Max. Current (mA)	Insulation Class	Degree of Protection	Electrical Connection
1	24VDC +/-10%	12	500	F	IP65	7-pin M16 connector (included) or 5-pin connector M12 (to be ordered separately)
3		12	500			
6		24 (2)	1000 (2)			
12		34	1400			
20		44	1800			

* Max. ripple: 10 %

01432CB-2021-R01

Specifications				
Pipe Size	Orifice Size	Flow at 6 bar		
	mm (inches)	Coefficient		(l/min)
		Kv (m ³ /h)	Cv	
G/NPT 1/8	1	0.05	0.06	55
G/NPT 1/8	3	0.18	0.21	210
G/NPT 1/4	6	0.60	0.69	700
G/NPT 1/2	12	1.20	1.39	1400
G/NPT 1	20	4.80	5.55	5600

How To Order

Catalog Number

6 1 4 3 5 7 B A S I D P P

B: CONTROL PANEL

- A = M12 without display - non-explosionproof
- D = M12 with display - non-explosionproof
- E = M12 without display - explosionproof (ATEX)
- F = DIN connector, 7-pin, with display - non-explosionproof
- G = DIN connector, 7-pin without display - non-explosionproof

A: VERSION (ports), body

- | | |
|-------------------------|----------------------------------|
| 0 = DN6 (G 1/4), Alu | 7 = DN3 (G 1/8), Brass |
| 1 = DN12 (G 1/2), Alu | 8 = DN6 (G 1/4), Brass |
| 2 = DN20 (G 1), Alu | 9 = DN3 (NPT 1/8), Brass |
| 4 = DN6 (NPT 1/4), Alu | A = DN6 (NPT 1/4"), Brass |
| 5 = DN12 (NPT 1/2), Alu | C = DN6 (G 1/4), Stainless Steel |
| 6 = DN20 (NPT 1), Alu | H = DN6 (G 1/4), Brass 2) |
| | J = DN1 (G1/8), Brass |

S: SETPOINT

- 0 = 0 ... 10 Volt
- 1 = 0 ... 20 mA
- 2 = 4 ... 20 mA

I: FEEDBACK

- 1 = Feedback output 0 ... 10 Volt
- 2 = Feedback output 0 ... 20 mA
- 3 = Feedback output 4 ... 20 mA
- 4 = Feedback input 0 ... 10 Volt
- 5 = Feedback input 0 ... 20 mA
- 6 = Feedback input 4 ... 20 mA

PP: PRESSURE RANGE 3)

Relative pressure	Max. allowable pressure (bar)	Vacuum (relative)
40 = 0 - 100 mbar	2	V1 = 0 ... -1 bar
50 = 0 - 500 mbar	2	shut-off valve
60 = 0 - 1 bar	2	(vacuum at port 3)
02 = 0 - 2 bar	3	V2 = 0 ... -1 bar
03 = 0 - 3 bar	8	Bypass version
05 = 0 - 5 bar	8	V3 = 0 ... -1 bar
06 = 0 - 6 bar	12	shut-off valve
10 = 0 - 10 bar	12	(vacuum at port 1)
12 = 0 - 12 bar	14	
16 = 0 - 16 bar 1)	18	
20 = 0 - 20 bar 1)	22	
3H = 0 - 30 bar 2)	40	
5H = 0 - 50 bar 2)	60	
PA = 0-50 psi	116 psi	
PB = 0-100 psi	125 psi	
PC = 0-150 psi	174 psi	
PD = 0-200 psi 1)	261 psi	
PE = 0-250 psi 1)	275 psi	
PF = 0-300 psi 1)	319 psi	
PG = 0-350psi 2)	377 psi	

D: DIGITAL OUTPUT

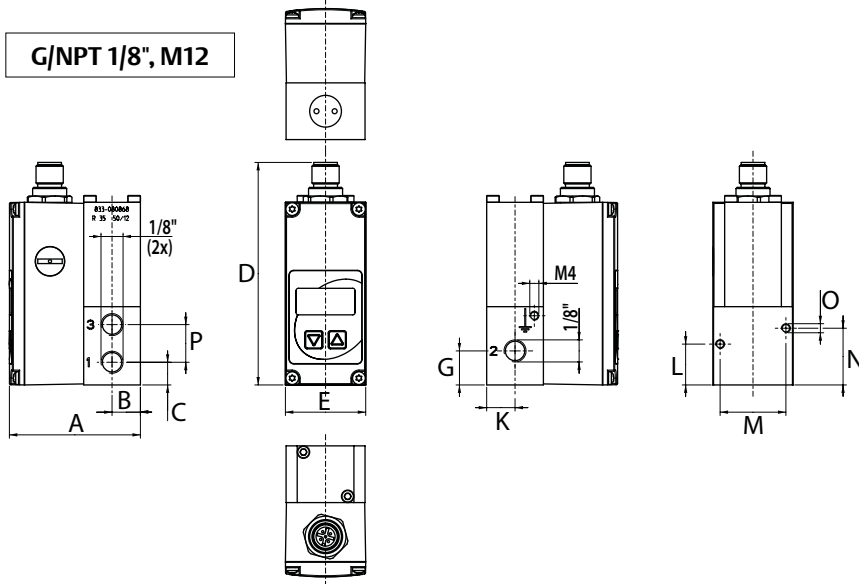
- 1 = Pressure switch output
PNP ± 5 %

Notes:

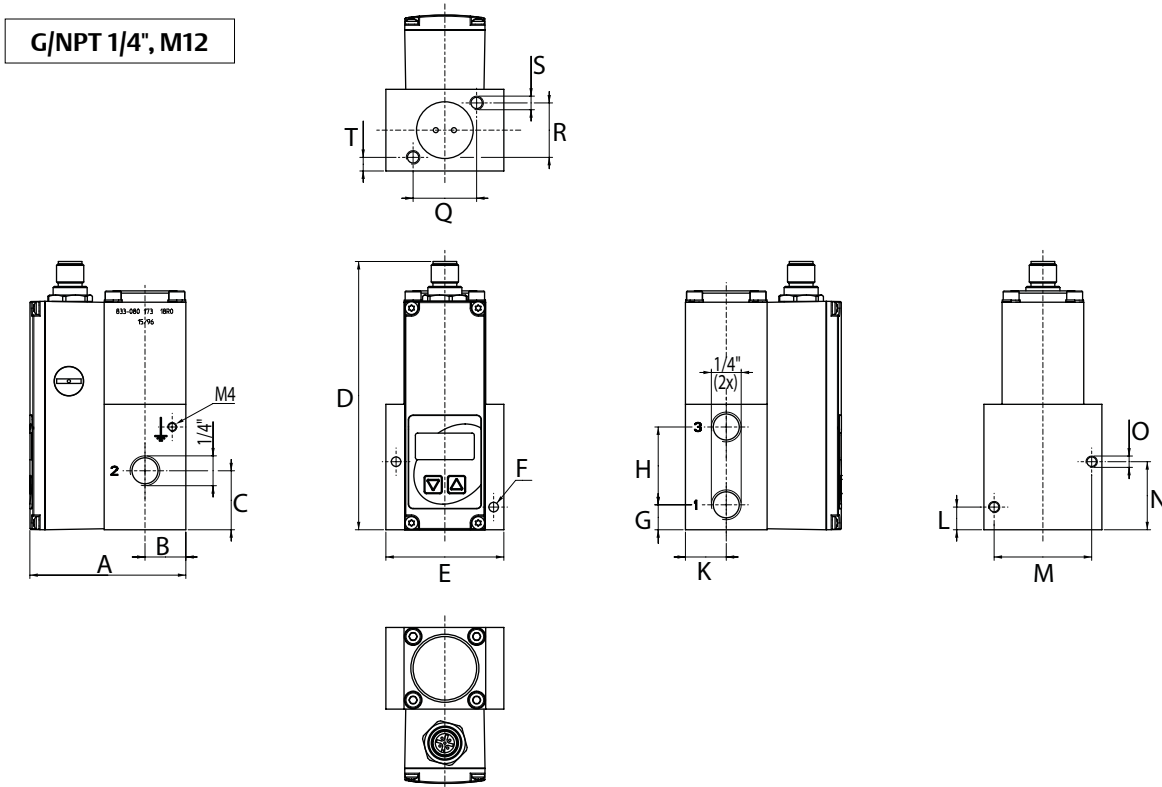
- 1) Only for DN1, DN3 and DN 6
- 2) Only for DN6, brass / 1,8 A 44 W
Other versions available on request.
- 3) Other pressure ranges on request

AVENTICS™ PROPORTIONAL VALVE SENTRONIC^{PLUS}
DIGITAL ELECTRONIC PRESSURE REGULATOR

Dimensions: mm (inches)



A	B	C	D	E	G	K	L	M	N	O	P	Weight kg
57.75 (2.274)	12.5 (0.492)	10 (0.394)	98.1 (3.862)	35.4 (1.394)	15 (0.591)	12.5 (0.492)	18 (0.709)	29 (1.142)	25 (0.984)	M4x10 (0.394) (2x)	16.6 (0.654)	0.600

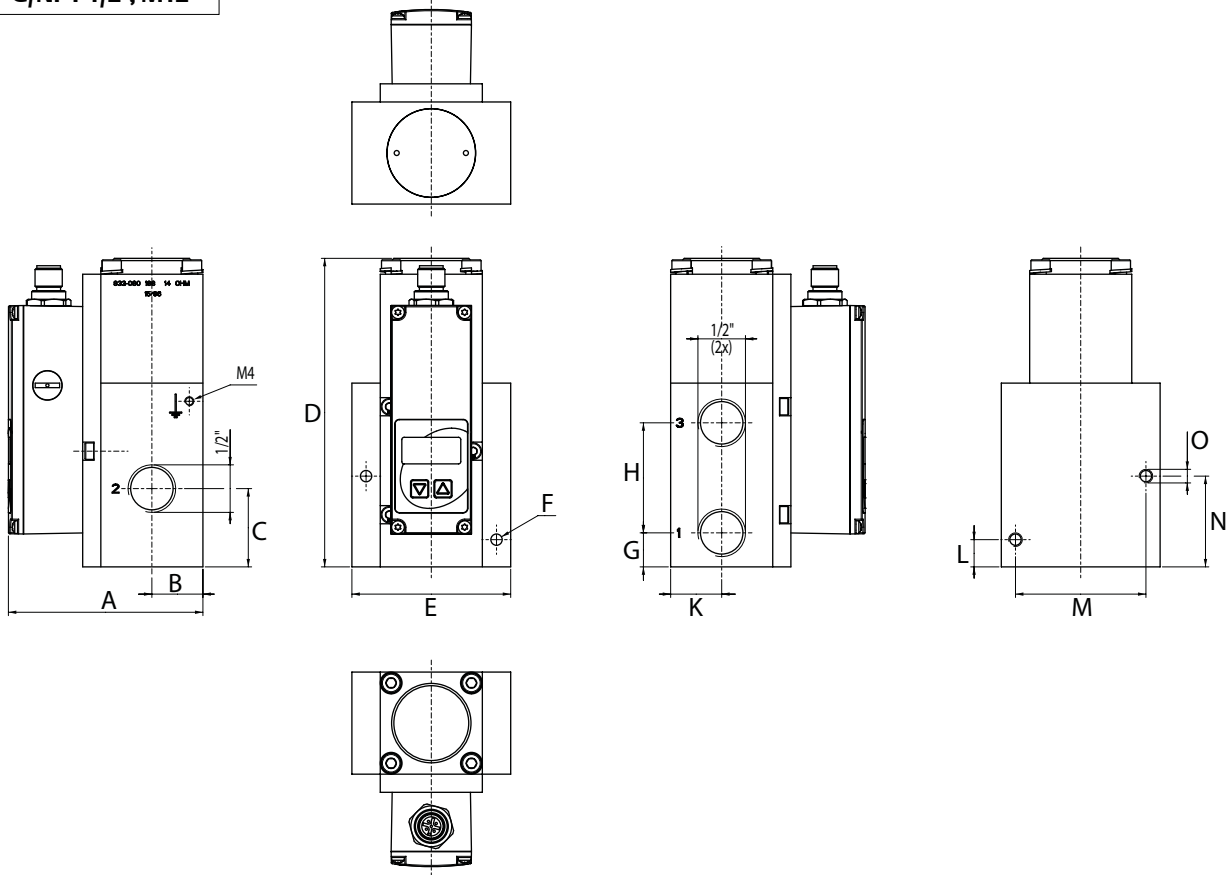


A	B	C	D	E	F	G	H	K	L	M	N	O	Q	R	S	T	Weight kg
68.75 (2.707)	18 (0.709)	26 (1.024)	118.25 (4.656)	52 (2.047)	∅4.2 (0.165) (2x)	11 (0.433)	34.3 (1.35)	18 (0.709)	10 (0.394)	43 (1.693)	30 (1.181)	M5x10 (0.394) (2x)	28 (1.102)	24 (0.945)	M6x8 (0.315) (2x)	6 (0.236)	0.900

01432CB-2021-R01

Dimensions: mm (inches)

G/NPT 1/2", M12

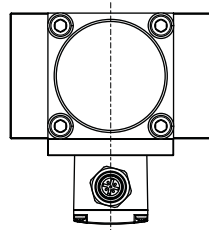
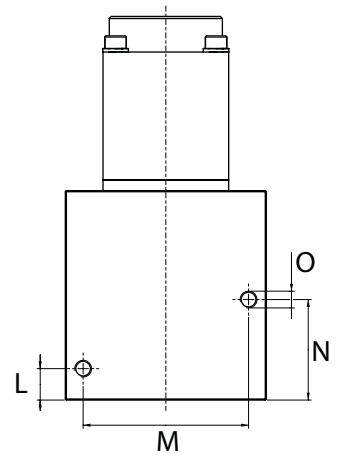
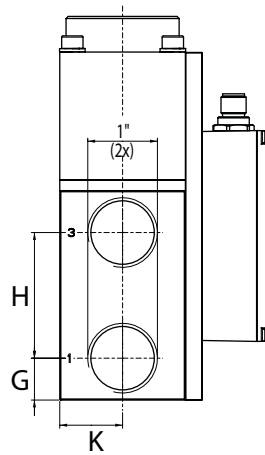
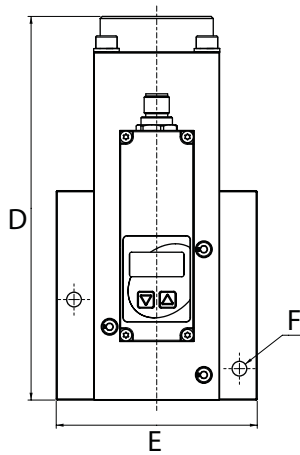
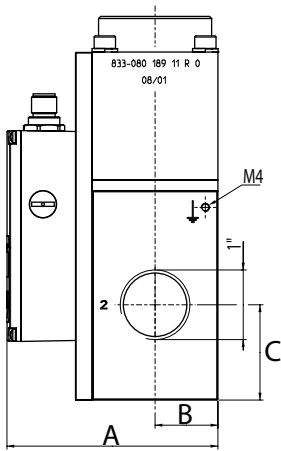
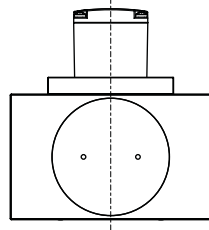


A	B	C	D	E	F	G	H	K	L	M	N	O	Weight kg
85.75 (3.376)	22.5 (0.886)	34.5 (1.358)	136 (5.354)	70 (2.756)	Ø5 (0.197)	15 (0.591)	48.5 (1.909)	22.5 (0.886)	12 (0.472)	57.5 (2.264)	40 (1.575)	M6x10 (0.394) (2x)	1.900

AVENTICS™ PROPORTIONAL VALVE SENTRONIC^{PLUS}
DIGITAL ELECTRONIC PRESSURE REGULATOR

Dimensions: mm (inches)

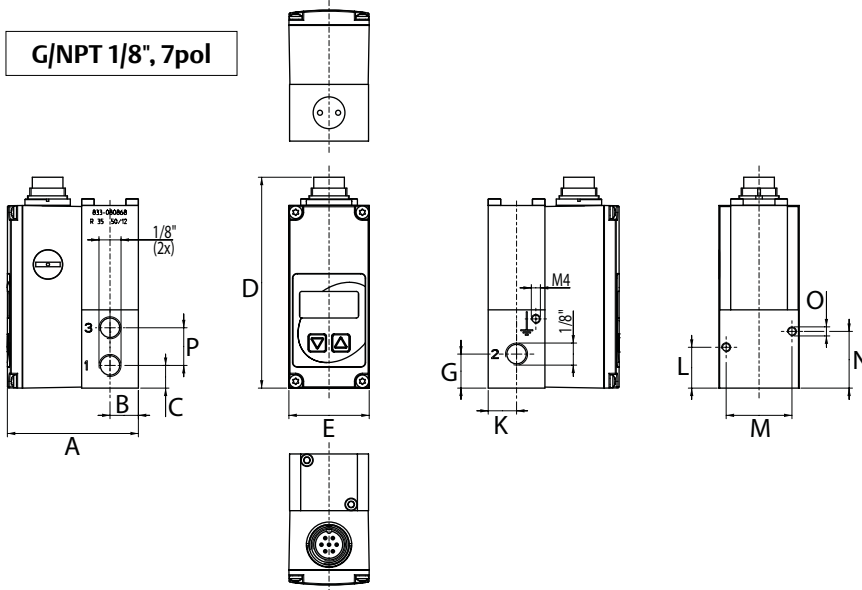
G/NPT 1", M12



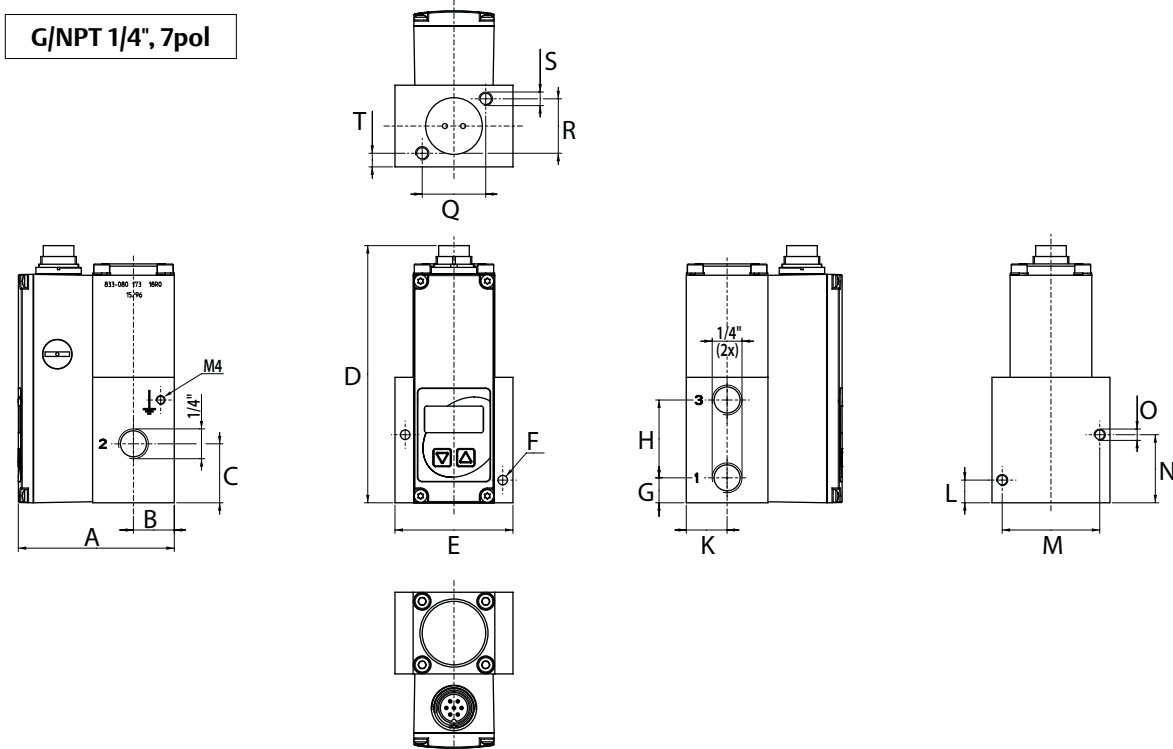
A	B	C	D	E	F	G	H	K	L	M	N	O	Weight kg
100.75 (3.967)	30 (1.181)	45.5 (1.791)	183.2 (7.213)	96 (3.780)	Ø7 (0.276) (2x)	20 (0.787)	60 (2.362)	30 (1.181)	15 (0.591)	79 (3.110)	48 (1.890)	M8x15 (0.591) (2x)	3.900

01432CB-2021-R01

Dimensions: mm (inches)



A	B	C	D	E	G	K	L	M	N	O	P	Weight kg
57.75 (2.274)	12.5 (0.492)	10 (0.394)	92.95 (3.659)	35.4 (1.394)	15 (0.591)	12.5 (0.492)	18 (0.709)	29 (1.142)	25 (0.984)	M4x10 (0.394) (2x)	16.6 (0.654)	0.600



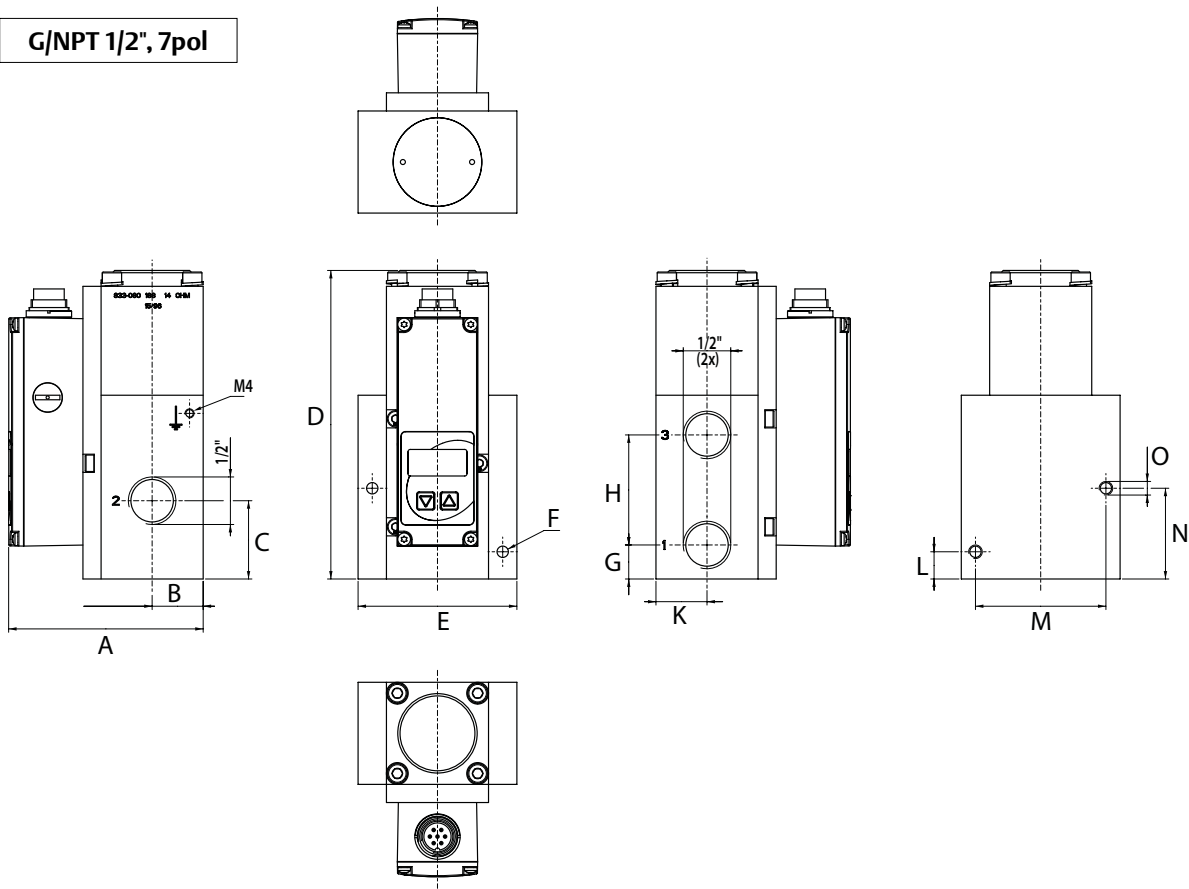
A	B	C	D	E	F	G	H	K	L	M	N	O	Q	R	S	T	Weight kg
68.75 (2.707)	18 (0.709)	26 (1.024)	113.35 (4.463)	52 (2.047)	∅4.2 (0.165) (2x)	11 (0.433)	34.3 (1.35)	18 (0.709)	10 (0.394)	43 (1.693)	30 (1.181)	M5x10 (0.394) (2x)	28 (1.102)	24 (0.945)	M6x8 (0.315) (2x)	6 (0.236)	0.900

01432GB-2021-R01

AVENTICS™ PROPORTIONAL VALVE SENTRONIC^{PLUS}
DIGITAL ELECTRONIC PRESSURE REGULATOR

Dimensions: mm (inches)

G/NPT 1/2", 7pol

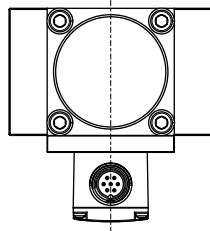
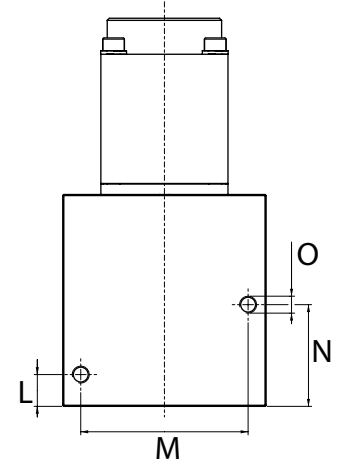
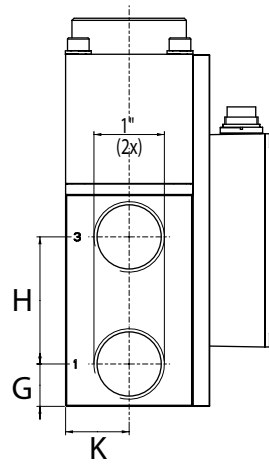
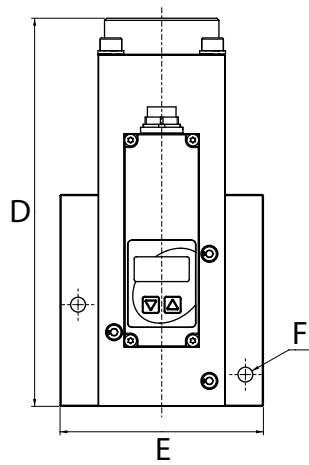
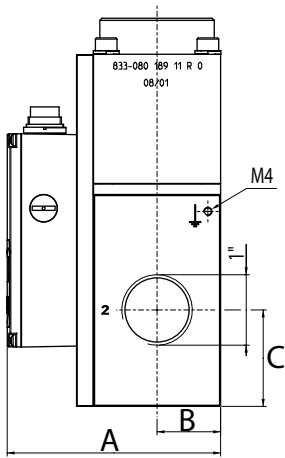
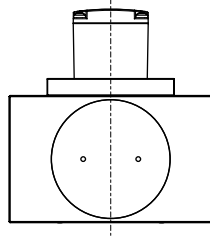


A	B	C	D	E	F	G	H	K	L	M	N	O	Weight kg
85.75 (3.376)	22.5 (0.886)	34.5 (1.358)	136 (5.354)	70 (2.756)	Ø5 (0.197)	15 (0.591)	48.5 (1.909)	22.5 (0.886)	12 (0.472)	57.5 (2.264)	40 (1.575)	M6x10 (0.394) (2x)	1.900

01432CB-2021-R01

Dimensions: mm (inches)

G/NPT 1", 7pol



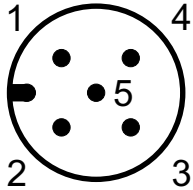
A	B	C	D	E	F	G	H	K	L	M	N	O	Weight kg
100.75 (3.967)	30 (1.181)	45.5 (1.791)	183.2 (7.213)	96 (3.780)	Ø7 (0.276) (2x)	20 (0.787)	60 (2.362)	30 (1.181)	15 (0.591)	79 (3.110)	48 (1.890)	M8x15 (0.591) (2x)	3.900

AVENTICS™ PROPORTIONAL VALVE SENTRONIC^{PLUS}

DIGITAL ELECTRONIC PRESSURE REGULATOR

Connector Pinning / Cable Wiring

VERSION: 5 Pol. M12

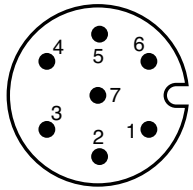


Pin	Description	5-wire cable (2 m)	6-wire cable (5 m, 10 m)
1	24 V voltage supply	brown	brown
2	Analog setpoint input	white	white
3	Supply ground	blue	green
	Analog ground *	-	yellow
4	Analog output (Feedback)	black	pink
5	Digital output (Pressure switch)	grey	grey
Body	EMC screen	shield	shield

* A 6-wire cable with separate analog ground is used for cable lengths over 2 m to set off the voltage drop for the setpoint.

Connector Pinning / Cable Wiring

VERSION: 7 Pol. M16



View from soldering side

Pin	Description
1	+24 V
2 *	Supply ground (24 V)
3	Analog setpoint input
4	Supply ground (Setpoint)
5	
6	Outlet pressure (Analog output feedback) - max. 10 mA (optional). For external electrical pressure sensor: Feedback input (optional)
7	Output pressure switch (optional)

* Pin 2 must be connected with supply ground!

Accessories

Description	Catalog Number
Straight M12 female connector, 5 pins, with screw terminals	88100256
Right-angle M12 female connector, 5 pins, with screw terminals	88100725
Supply cable 2 m; M12 5x0,25 mm ² ; straight connector	88100726
Supply cable 2 m; M12 5x0,25 mm ² ; right-angle connector	88100727
Supply cable 5 m; M12 6x0,50 mm ² ; straight connector	88100728
Supply cable 5 m; M12 6x0,50 mm ² ; right-angle connector	88100729
Supply cable 10 m; M12 6x0,50 mm ² ; straight connector	88100730
Supply cable 10 m; M12 6x0,50 mm ² ; right-angle connector	88100731
Parameter adapter USB, 1 m cable	N50930300100000

01432GB-2021-R01