

Series NU2



AVENTICS™ Series NU2



青岛秉诚自动化设备有限公司
地址：中国·青岛市重庆南路99号海尔云街甲3号楼7F

服务热线：4006-918-365
网址：<http://www.asco.store>

传真：(86-532)585-10-365
Email：sales@bechinas.com

Series NU2

- Swivel banjo connection 1-fold
- External thread
- G 1/8 G 1/4 G 3/8 G 1/2 G 3/4 G 1
- plug-in with tube nut
- Ø 4 Ø 6 Ø 8 Ø 9 Ø 13 Ø 18
- NU2-S-RW1



Working pressure min./max.	-0.95 ... 10 bar
Ambient temperature min./max.	-10 ... 60 °C
Weight per piece	See table below

Technical data

Part No.	Port G	Port D	Delivery unit	Weight per piece
1823391293	G 1/8	Ø 4	2 piece	0.023 kg
1823391294	G 1/4	Ø 6	2 piece	0.034 kg
1823391295	G 1/4	Ø 8	2 piece	0.044 kg
R412010658	G 1/4	Ø 9	2 piece	0.276 kg
1823391296	G 3/8	Ø 8	2 piece	0.056 kg
R412007839	G 3/8	Ø 13	2 piece	0.079 kg
R412007838	G 1/2	Ø 13	2 piece	0.098 kg
1823391807	G 3/4	Ø 18	10 piece	0.208 kg
1823391808	G 1	Ø 18	10 piece	0.276 kg

Technical information

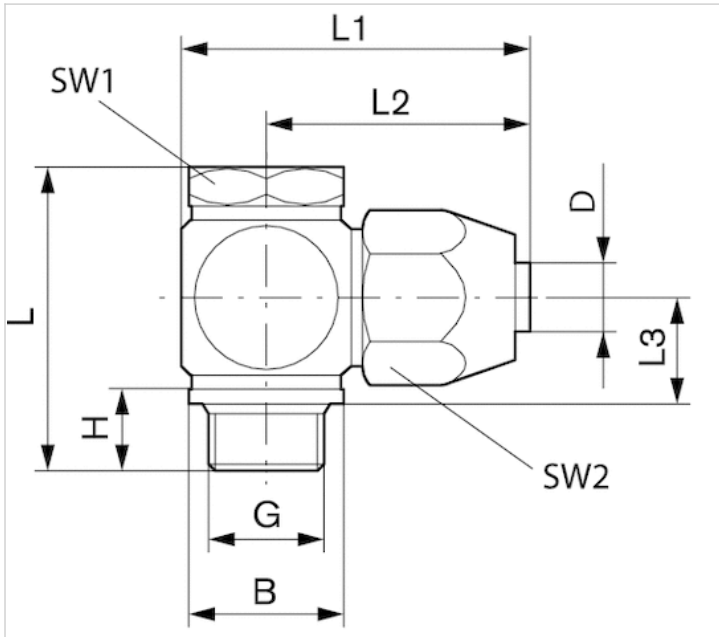
For further information about assembling and tolerances of adaptable tubing can be found in the "Technical information" document (available in the MediaCentre).

Technical information

Material	
Housing	Aluminum, anodized
Seal	Polyvinyl chloride

Dimensions

Dimensions



for fabric-reinforced plastic tubing

Dimensions

Part No.	Port D	Port G	B	H	L	L1	L2	L3	SW1	SW2
1823391293	Ø 4	G 1/8	14	10	32.5	34	26.5	13.7	14	17
1823391294	Ø 6	G 1/4	18	12.5	39	39.5	30	14.5	17	19
1823391295	Ø 8	G 1/4	18	12.5	42	42	32.5	16	17	22
R412010658	Ø 9	G 1/4	18.9	7.9	40	42	32.5	15.6	17	24
1823391296	Ø 8	G 3/8	21	12.5	43	47	35	15.5	22	22
R412007839	Ø 13	G 3/8	22.9	12.5	47	49	37	18.5	22	30
R412007838	Ø 13	G 1/2	22.9	14	49.5	55	40	18.5	27	30
1823391807	Ø 18	G 3/4	33	18.5	66	69	51	25	32	41
1823391808	Ø 18	G 1	40	20.5	70	77	55	25	41	41

Connection D = inside diameter of the tubing to be used

Series NU2

- tube nut
- NU2-S-RNU



Working pressure min./max.	-0.95 ... 15 bar
Ambient temperature min./max.	-10 ... 70 °C
Weight per piece	See table below

Technical data

Part No.	Delivery unit	Weight per piece
1823313001	50 piece	0.002 kg
1823340001	50 piece	0.005 kg
1823340000	50 piece	0.006 kg

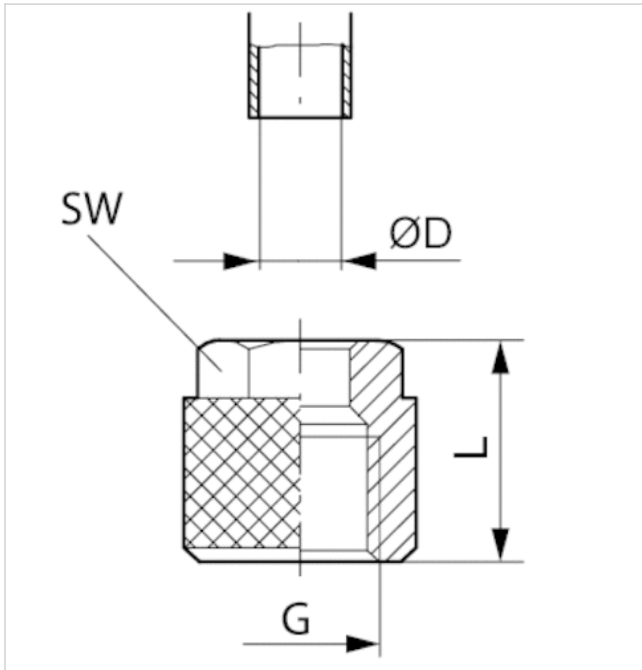
Technical information

For further information about assembling and tolerances of adaptable tubing can be found in the "Technical information" document (available in the MediaCentre).

Technical information

Material	
Housing	Brass, galvanized Brass, nickel-plated

Dimensions



Dimensions

Part No.	G	ØD	L	SW
1823313001	M8x0,75	6	11	9
1823340001	M10x1	6	11	10
1823340000	M12x1	8	11.5	12

Connection D = inside diameter of the tubing to be used

Series NU2

- Straight female stud fitting
- Internal thread
- G 1/4
- plug-in with tube nut
- Ø 4 Ø 6
- NU2-S-RAI



Working pressure min./max. 0 ... 10 bar
 Ambient temperature min./max. -10 ... 60 °C
 Weight per piece 0.01 kg

Technical data

Part No.	Port G	Port D	Delivery unit
1823391082	G 1/4	Ø 4	10 piece
1823391083	G 1/4	Ø 6	10 piece

Technical information

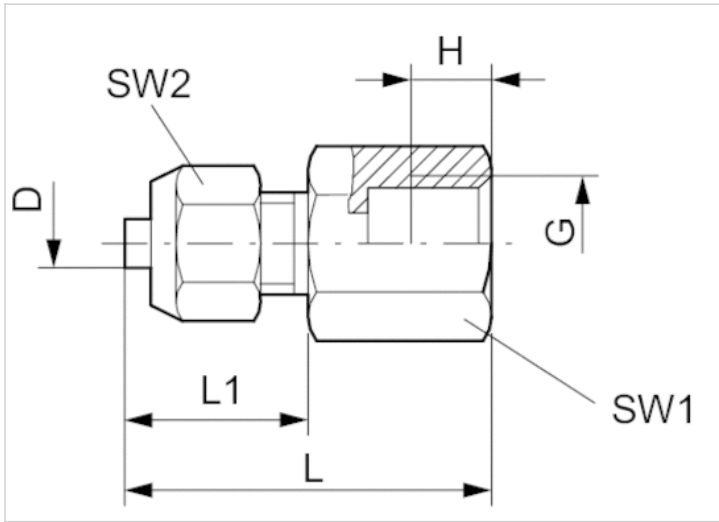
For further information about assembling and tolerances of adaptable tubing can be found in the "Technical information" document (available in the MediaCentre).

Technical information

Material	
Housing	Aluminum, anodized

Dimensions

Dimensions



Dimensions

Part No.	Port D	Port G	H	L	L1	SW 1	SW 2
1823391082	Ø 4	G 1/4	8	27	13	17	11
1823391083	Ø 6	G 1/4	8	28	14	17	13

Connection D = inside diameter of the tubing to be used

Series NU2

- 1x banjo bolt
- External thread
- G 1/8
- Uncollected
- NU2-S-RH1



Working pressure min./max.	-0.95 ... 15 bar
Ambient temperature min./max.	0 ... 80 °C
Medium	Compressed air
Weight per piece	0.015 kg

Technical data

Part No.	Port G	Delivery unit
1823391259	G 1/8	10 piece

Technical information

Only applicable in combination with QR2-S and NU2-S series banjo unions.

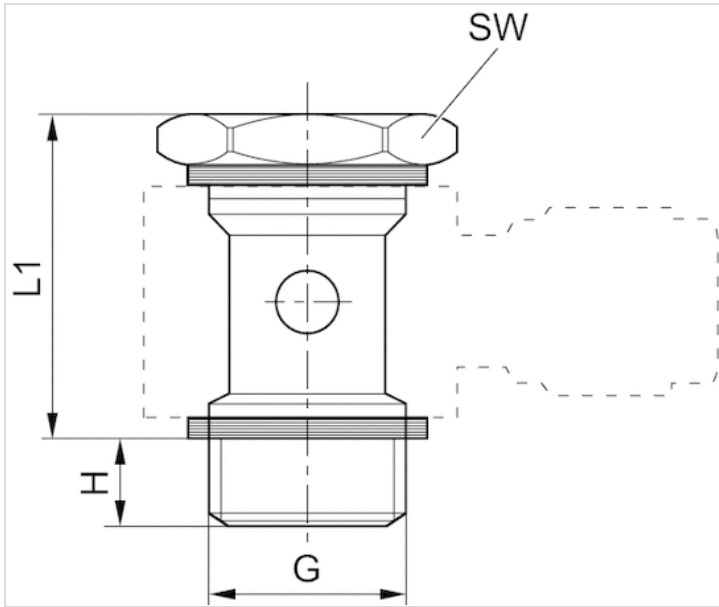
For further information about assembling and tolerances of adaptable tubing can be found in the "Technical information" document (available in the MediaCentre).

Technical information

Material	
Housing	Brass, nickel-plated
Seal	Polyvinyl chloride

Dimensions

Dimensions



Dimensions

Part No.	Port G	H	L1	SW
1823391259	G 1/8	6.5	21.5	14

Connection D = inside diameter of the tubing to be used

Series NU2

- Straight fitting
- External thread
- M5 G 1/8 G 1/4 G 3/8
- plug-in with tube nut
- Ø 3 Ø 4 Ø 6 Ø 9
- NU2-S-RPN



Working pressure min./max.	-0.95 ... 15 bar
Ambient temperature min./max.	-25 ... 70 °C
Weight per piece	See table below

Technical data

Part No.	Port G	Port D	Delivery unit	Weight per piece
1823391065	M5	Ø 3	10 piece	0.007 kg
1823391066	M5	Ø 4	10 piece	0.009 kg
1823391067	G 1/8	Ø 3	10 piece	0.012 kg
1823391008	G 1/8	Ø 4	10 piece	0.015 kg
1823391009	G 1/8	Ø 6	10 piece	0.018 kg
1823391010	G 1/4	Ø 4	10 piece	0.022 kg
1823391011	G 1/4	Ø 6	10 piece	0.023 kg
1823391030	G 1/4	Ø 9	10 piece	0.028 kg
1823391031	G 3/8	Ø 6	10 piece	0.027 kg
1823391032	G 3/8	Ø 9	10 piece	0.03 kg

Technical information

For use up to -40 °C when using with compressed air tubing series TU1-S-PAM Ø4x1, Ø6x1, Ø8x1, Ø10x1, Ø12x1.5

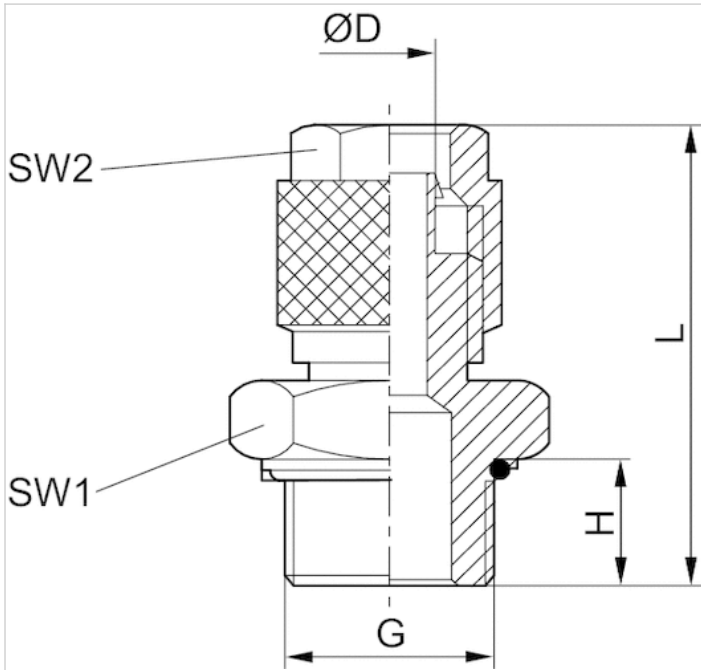
For further information about assembling and tolerances of adaptable tubing can be found in the "Technical information" document (available in the MediaCentre).

Technical information

Material	
Housing	Brass, nickel-plated

Dimensions

Dimensions



Dimensions

Part No.	Port D	Port G	H	L	SW 1	SW 2
1823391065	$\varnothing 3$	M5	3.5	21	8	9
1823391066	$\varnothing 4$	M5	3.85	20	8	9
1823391067	$\varnothing 3$	G 1/8	4.5	21.7	13	8
1823391008	$\varnothing 4$	G 1/8	5.5	23.5	13	10
1823391009	$\varnothing 6$	G 1/8	4.5	23	14	12
1823391010	$\varnothing 4$	G 1/4	6	25.5	16	10
1823391011	$\varnothing 6$	G 1/4	6	25.5	16	12
1823391030	$\varnothing 9$	G 1/4	6	29	17	15
1823391031	$\varnothing 6$	G 3/8	7	26.5	19	12
1823391032	$\varnothing 9$	G 3/8	9	32.5	19	15

Connection D = inside diameter of the tubing to be used

Series NU2

- Straight fitting
- External thread
- External thread
- G 1/8 G 1/4 G 3/8 G 1/2 G 3/4 G 1
- plug-in with tube nut
- Ø 4 Ø 6 Ø 8 Ø 10 Ø 13 Ø 18
- NU2-S-RPN



Working pressure min./max.	-0.95 ... 10 bar
Ambient temperature min./max.	-10 ... 60 °C
fine thread	External thread
Weight per piece	See table below

Technical data

Part No.	Port G	Port D	Delivery unit	Weight per piece
1823391045	G 1/8	Ø 4	10 piece	0.012 kg
1823391046	G 1/8	Ø 6	10 piece	0.014 kg
1823391053	G 1/4	Ø 4	10 piece	0.013 kg
1823391054	G 1/4	Ø 6	10 piece	0.015 kg
1823391055	G 1/4	Ø 8	5 piece	0.024 kg
1823391290	G 1/4	Ø 10	5 piece	0.03 kg
1823391059	G 3/8	Ø 6	5 piece	0.016 kg
1823391063	G 3/8	Ø 8	5 piece	0.024 kg
1823391291	G 3/8	Ø 10	5 piece	0.035 kg
1823391249	G 3/8	Ø 13	5 piece	0.047 kg
1823391250	G 1/2	Ø 6	5 piece	0.023 kg
1823391251	G 1/2	Ø 8	5 piece	0.028 kg
1823391292	G 1/2	Ø 10	5 piece	0.038 kg
1823391252	G 1/2	Ø 13	5 piece	0.049 kg
1823391805	G 3/4	Ø 18	1 piece	0.114 kg
1823391806	G 1	Ø 18	1 piece	0.13 kg

Technical information

For further information about assembling and tolerances of adaptable tubing can be found in the "Technical information" document (available in the MediaCentre).

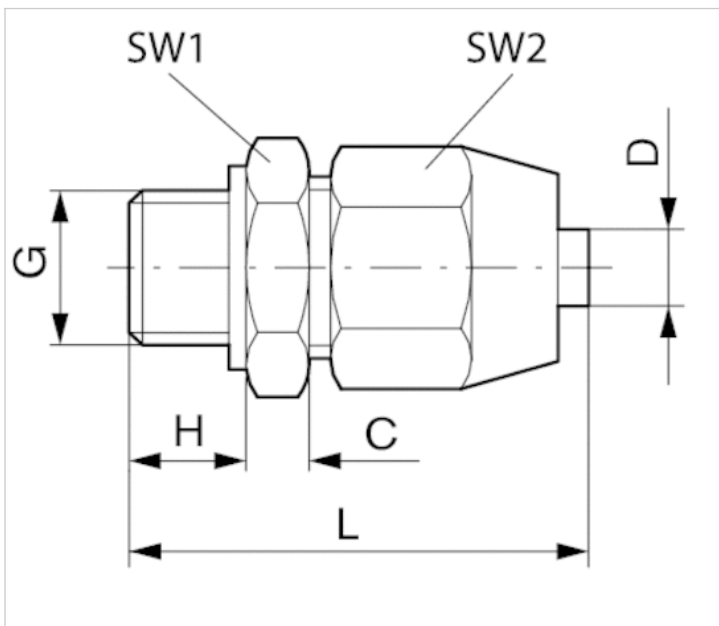
Technical information

Material

Housing	Aluminum, anodized
Seal	Polyvinyl chloride

Dimensions

Dimensions



Dimensions

Part No.	Port D	Port G	C	H	L	SW1	SW2
1823391045	Ø 4	G 1/8	5	6.5	30.5	17	17
1823391046	Ø 6	G 1/8	6	6.5	32.5	17	19
1823391053	Ø 4	G 1/4	5	9	33	17	17
1823391054	Ø 6	G 1/4	6	9	35	17	19
1823391055	Ø 8	G 1/4	6	9	38	22	22
1823391290	Ø 10	G 1/4	6	9	38.5	22	24
1823391059	Ø 6	G 3/8	5	9	35	19	19
1823391063	Ø 8	G 3/8	6	9	38	22	22
1823391291	Ø 10	G 3/8	6	9	38.5	22	24
1823391249	Ø 13	G 3/8	7	9	41	27	30
1823391250	Ø 6	G 1/2	6	11	37.5	24	19
1823391251	Ø 8	G 1/2	6	11	40	24	22
1823391292	Ø 10	G 1/2	6	11	40.5	24	24
1823391252	Ø 13	G 1/2	7	11	43	27	30
1823391805	Ø 18	G 3/4	8	14	55	36	41
1823391806	Ø 18	G 1	10	16	59	41	41

1) without sealing ring

Connection D = inside diameter of the tubing to be used

Series NU2

- T-connector
- plug-in with tube nut
- Ø 4 Ø 6
- plug-in with tube nut
- Ø 4 Ø 6
- NU2-S-RTK



Working pressure min./max. -0.95 ... 15 bar
 Ambient temperature min./max. -10 ... 70 °C
 Weight per piece 0.02 kg

Technical data

Part No.	Port G	Port D	Delivery unit
1823391088	Ø 4	Ø 4	5 piece
1823391089	Ø 6	Ø 6	5 piece

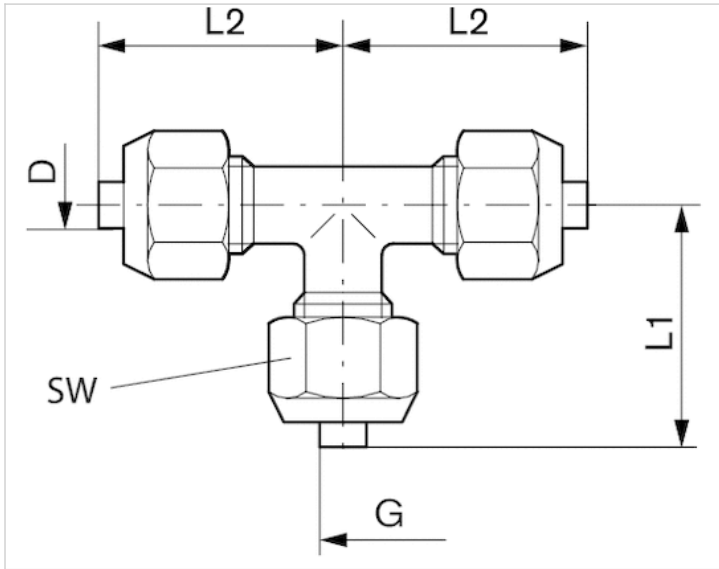
Technical information

For further information about assembling and tolerances of adaptable tubing can be found in the "Technical information" document (available in the MediaCentre).

Technical information

Material	
Housing	Aluminum, anodized
tube nut	Polyamide, fiber-glass reinforced, black

Dimensions



Dimensions

Part No.	Port D	Port G	L1	L2	SW
1823391088	Ø 4	Ø 4	23	23	13
1823391089	Ø 6	Ø 6	24	24	15

Connection D = inside diameter of the tubing to be used

Series NU2

- T-connector
- plug-in with tube nut
- Ø 3 Ø 4 Ø 6 Ø 8
- plug-in with tube nut
- Ø 3 Ø 4 Ø 6 Ø 8



Working pressure min./max. -0.95 ... 15 bar
 Ambient temperature min./max. -25 ... 70 °C
 Weight per piece See table below

Technical data

Part No.	Type	Port G	Port D	Delivery unit	Weight per piece
1823391794	NU2-S-RTK	Ø 3	Ø 3	10 piece	0.012 kg
1823391795	NU2-S-RTK	Ø 4	Ø 4	10 piece	0.024 kg
1823391796	NU2-S-RTR	Ø 4	Ø 6	5 piece	0.026 kg
1823391797	NU2-S-RTK	Ø 6	Ø 6	5 piece	0.027 kg
1823391798	NU2-S-RTR	Ø 4	Ø 8	5 piece	0.032 kg
1823391799	NU2-S-RTR	Ø 6	Ø 8	5 piece	0.035 kg
1823391800	NU2-S-RTK	Ø 8	Ø 8	5 piece	0.035 kg

Technical information

For use up to -40 °C when using with compressed air tubing series TU1-S-PAM Ø4x1, Ø6x1, Ø8x1, Ø10x1, Ø12x1.5

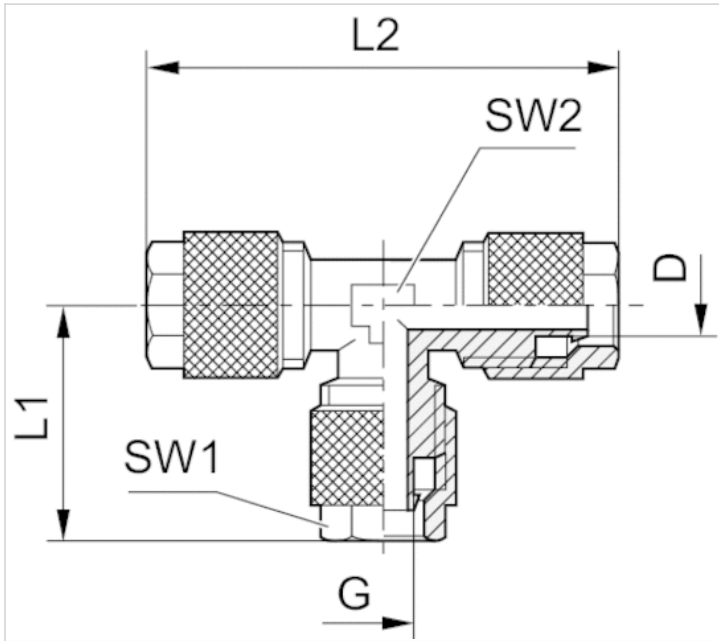
For further information about assembling and tolerances of adaptable tubing can be found in the "Technical information" document (available in the MediaCentre).

Technical information

Material	
Housing	Brass, nickel-plated

Dimensions

Dimensions



Dimensions

Part No.	Port D	Port G	L1	L2	SW 1	SW 2
1823391794	Ø 3	Ø 3	20.8	41.2	8	8
1823391795	Ø 4	Ø 4	20	41.2	10	8
1823391796	Ø 6	Ø 4	20	40	12	9
1823391797	Ø 6	Ø 6	20	41	12	9
1823391798	Ø 8	Ø 4	19	44	14	11
1823391799	Ø 8	Ø 6	21	44	14	11
1823391800	Ø 8	Ø 8	22.5	45.5	14	11

Connection D = inside diameter of the tubing to be used

Series NU2

- T-Banjo connection
- External thread
- M5 G 1/8 G 1/4 G 3/8
- plug-in with tube nut
- Ø 3 Ø 4 Ø 6 Ø 9
- NU2-S-RTS



Working pressure min./max.	-0.95 ... 15 bar
Ambient temperature min./max.	-10 ... 70 °C
Weight per piece	See table below

Technical data

Part No.	Port G	Port D	Delivery unit	Weight per piece
1823391071	M5	Ø 3	5 piece	0.01 kg
1823391036	M5	Ø 4	5 piece	0.01 kg
1823391070	G 1/8	Ø 3	5 piece	0.031 kg
1823391004	G 1/8	Ø 4	5 piece	0.041 kg
1823391005	G 1/8	Ø 6	5 piece	0.045 kg
1823391006	G 1/4	Ø 4	5 piece	0.055 kg
1823391007	G 1/4	Ø 6	5 piece	0.06 kg
1823391033	G 3/8	Ø 6	2 piece	0.083 kg
1823391034	G 3/8	Ø 9	2 piece	0.089 kg

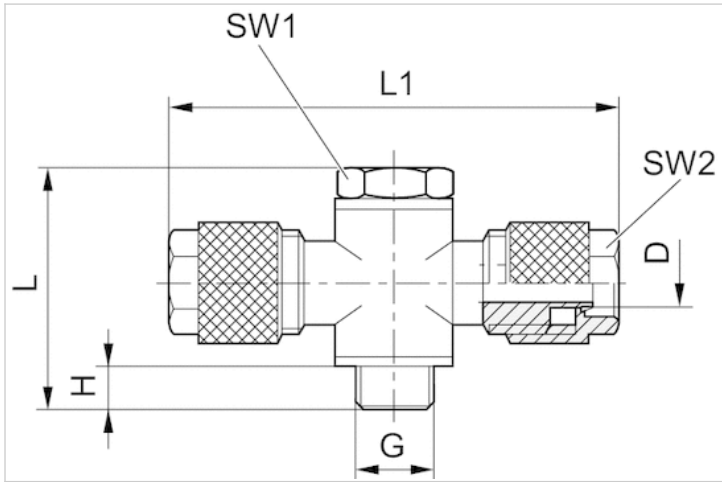
Technical information

For further information about assembling and tolerances of adaptable tubing can be found in the "Technical information" document (available in the MediaCentre).

Technical information

Material	
Housing	Brass, nickel-plated
Seal	Polyvinyl chloride

Dimensions



Dimensions

Part No.	Port D	Port G	H	L	L1	SW 1	SW 2
1823391071	Ø 3	M5	3.5	17.5	31	8	8
1823391036	Ø 4	M5	3.5	17.5	31	8	9
1823391070	Ø 3	G 1/8	6.5	28	42	14	8
1823391004	Ø 4	G 1/8	6	28	45	14	10
1823391005	Ø 6	G 1/8	6	28	45	14	12
1823391006	Ø 4	G 1/4	6.5	29.5	49	17	10
1823391007	Ø 6	G 1/4	7	33	49	17	12
1823391033	Ø 6	G 3/8	8	31.5	50	22	12
1823391034	Ø 9	G 3/8	8	31.5	60	22	15

Connection D = inside diameter of the tubing to be used

Series NU2

- T-union
- External thread
- R 1/8 R 1/4
- plug-in with tube nut
- Ø 4 Ø 6 Ø 8
- NU2-S-RTT



Working pressure min./max. -0.95 ... 15 bar
 Ambient temperature min./max. -25 ... 70 °C
 Weight per piece See table below

Technical data

Part No.	Port G	Port D	Delivery unit	Weight per piece
1823391789	R 1/8	Ø 4	10 piece	0.012 kg
1823391790	R 1/8	Ø 6	5 piece	0.024 kg
1823391791	R 1/4	Ø 4	10 piece	0.026 kg
1823391792	R 1/4	Ø 6	5 piece	0.027 kg
1823391793	R 1/4	Ø 8	5 piece	0.032 kg

Technical information

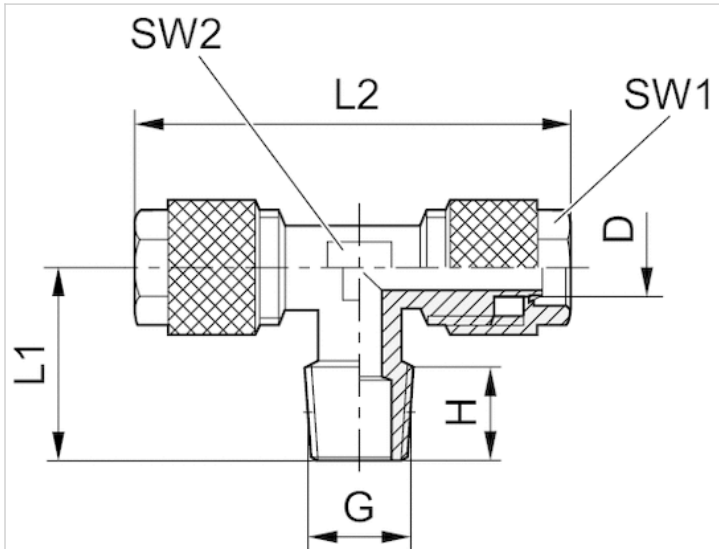
For use up to -40 °C when using with compressed air tubing series TU1-S-PAM Ø4x1, Ø6x1, Ø8x1, Ø10x1, Ø12x1.5

For further information about assembling and tolerances of adaptable tubing can be found in the "Technical information" document (available in the MediaCentre).

Technical information

Material	
Housing	Brass, nickel-plated

Dimensions



Dimensions

Part No.	Port D	Port G	H	L1	L2	SW 1	SW 2
1823391789	Ø 4	R 1/8	7.3	14.5	36	8	8
1823391790	Ø 6	R 1/8	7.3	16	37	9	9
1823391791	Ø 4	R 1/4	10.5	19	40	9	9
1823391792	Ø 6	R 1/4	11	20	40	9	9
1823391793	Ø 8	R 1/4	10.5	22	41	12	12

Connection D = inside diameter of the tubing to be used

Series NU2

- T-union
- External thread
- G 1/8 G 1/4
- plug-in with tube nut
- Ø 4 Ø 6 Ø 8
- NU2-S-RTT



Working pressure min./max.	-0.95 ... 15 bar
Ambient temperature min./max.	-25 ... 70 °C
Weight per piece	See table below

Technical data

Part No.	Port G	Port D	Delivery unit	Weight per piece
1823391779	G 1/8	Ø 4	10 piece	0.012 kg
1823391781	G 1/8	Ø 6	10 piece	0.024 kg
1823391780	G 1/4	Ø 4	5 piece	0.026 kg
1823391782	G 1/4	Ø 6	5 piece	0.027 kg
1823391783	G 1/4	Ø 8	5 piece	0.032 kg

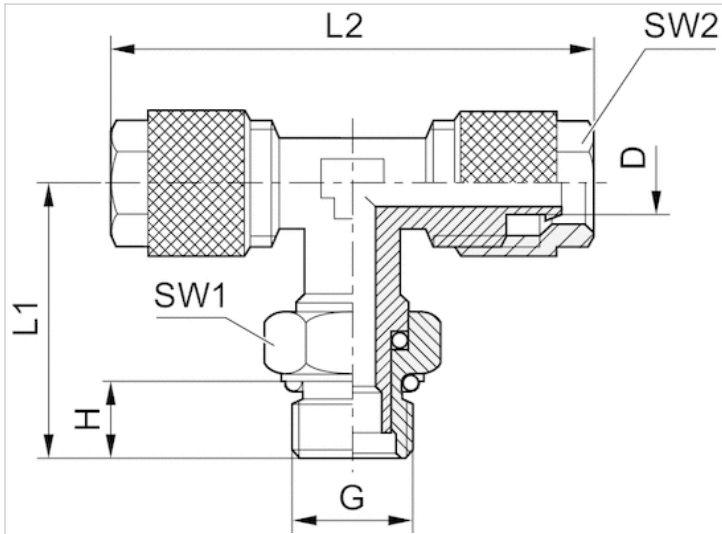
Technical information

For further information about assembling and tolerances of adaptable tubing can be found in the "Technical information" document (available in the MediaCentre).

Technical information

Material	
Housing	Brass, nickel-plated

Dimensions



Dimensions

Part No.	Port D	Port G	H	L1	L2	SW1	SW2
1823391779	Ø 4	G 1/8	6	22	40	13	10
1823391781	Ø 6	G 1/8	6	24	40	13	12
1823391780	Ø 4	G 1/4	8	26	40	16	10
1823391782	Ø 6	G 1/4	8	27.5	43	16	12
1823391783	Ø 8	G 1/4	8	27.5	45	16	14

Connection D = inside diameter of the tubing to be used

Series NU2

- 2x banjo union
- Uncollected
- G 1/8 G 1/4 G 3/8
- plug-in with tube nut
- Ø 3 Ø 4 Ø 6
- NU2-S-RT1



Working pressure min./max. -0.95 ... 15 bar
Ambient temperature min./max. -10 ... 70 °C

Technical data

Part No.	Port G	Port D	Delivery unit
1823391077	G 1/8	Ø 3	5 piece
1823391078	G 1/8	Ø 4	5 piece
1823391079	G 1/8	Ø 6	5 piece
1823391061	G 1/4	Ø 4	5 piece
1823391060	G 1/4	Ø 6	5 piece
1823391062	G 3/8	Ø 6	5 piece

Technical information

The banjo unions and banjo bolts of the QR2 and NU2 series can be combined.

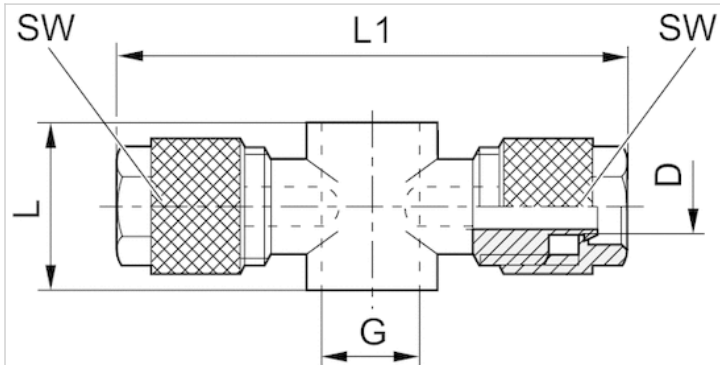
For further information about assembling and tolerances of adaptable tubing can be found in the "Technical information" document (available in the MediaCentre).

Technical information

Material	
Housing	Brass, nickel-plated

Dimensions

Dimensions



Dimensions

Part No.	Port D	Port G	L	L1	SW
1823391077	Ø 3	G 1/8	15	42	8
1823391078	Ø 4	G 1/8	15	46	10
1823391079	Ø 6	G 1/8	15	46	12
1823391061	Ø 4	G 1/4	17	52	10
1823391060	Ø 6	G 1/4	17	52	12
1823391062	Ø 6	G 3/8	20	52	12

Connection D = inside diameter of the tubing to be used

Series NU2

- Elbow fitting
- External thread
- G 1/8 G 1/4
- plug-in with tube nut
- Ø 4 Ø 6 Ø 8
- NU2-S-RVT



Working pressure min./max.	-0.95 ... 15 bar
Ambient temperature min./max.	-25 ... 70 °C
Weight per piece	See table below

Technical data

Part No.	Port G	Port D	Delivery unit	Weight per piece
1823391774	G 1/8	Ø 4	10 piece	0.012 kg
1823391776	G 1/8	Ø 6	10 piece	0.026 kg
1823391775	G 1/4	Ø 4	5 piece	0.024 kg
1823391777	G 1/4	Ø 6	5 piece	0.027 kg
1823391778	G 1/4	Ø 8	5 piece	0.032 kg

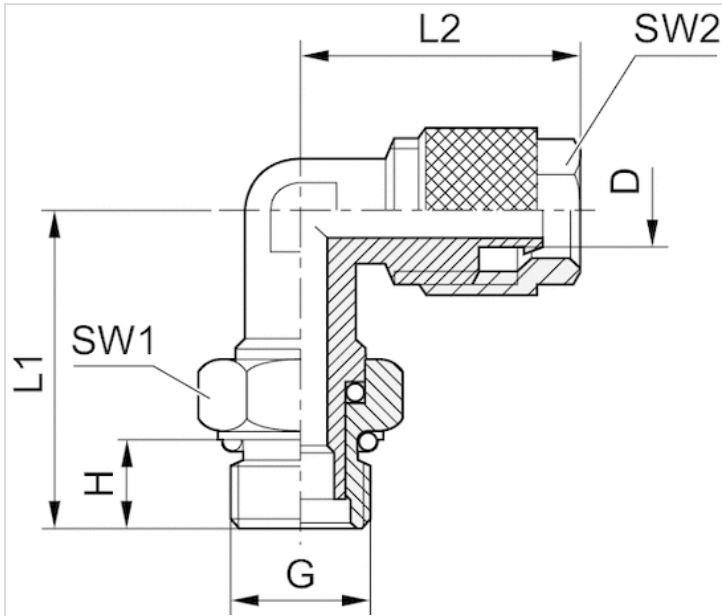
Technical information

For further information about assembling and tolerances of adaptable tubing can be found in the "Technical information" document (available in the MediaCentre).

Technical information

Material	
Housing	Brass, nickel-plated

Dimensions



Dimensions

Part No.	Port D	Port G	H	L1	L2	SW1	SW2
1823391774	Ø 4	G 1/8	6	22	20.6	14	10
1823391776	Ø 6	G 1/8	6	22	21.6	14	12
1823391775	Ø 4	G 1/4	8	27	24	17	10
1823391777	Ø 6	G 1/4	8	26.5	23.1	16	12
1823391778	Ø 8	G 1/4	8	27.5	24	16	14

Connection D = inside diameter of the tubing to be used

Series NU2

- Elbow fitting
- External thread
- R 1/8 R 1/4
- plug-in with tube nut
- Ø 4 Ø 6 Ø 8
- NU2-S-RVT



Working pressure min./max. -0.95 ... 15 bar
 Ambient temperature min./max. -25 ... 70 °C
 Weight per piece See table below

Technical data

Part No.	Port G	Port D	Delivery unit	Weight per piece
1823391784	R 1/8	Ø 4	10 piece	0.012 kg
1823391785	R 1/8	Ø 6	5 piece	0.024 kg
1823391786	R 1/4	Ø 4	10 piece	0.026 kg
1823391787	R 1/4	Ø 6	5 piece	0.027 kg
1823391788	R 1/4	Ø 8	5 piece	0.032 kg

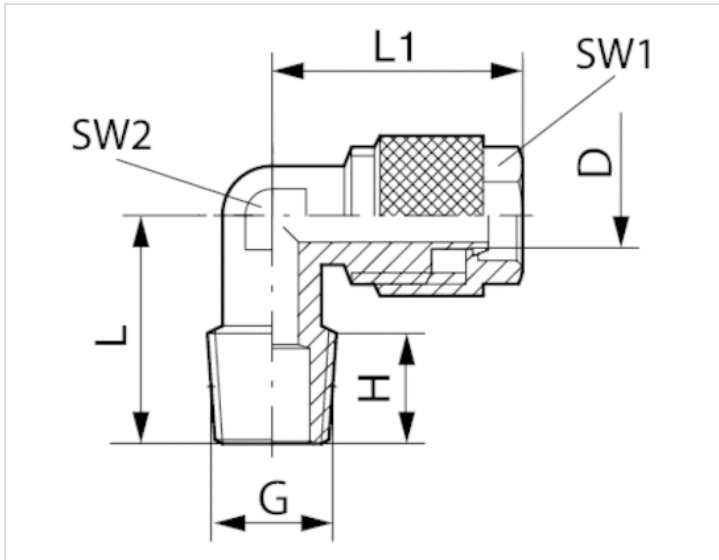
Technical information

For use up to -40 °C when using with compressed air tubing series TU1-S-PAM Ø4x1, Ø6x1, Ø8x1, Ø10x1, Ø12x1.5
 For further information about assembling and tolerances of adaptable tubing can be found in the "Technical information" document (available in the MediaCentre).

Technical information

Material	
Housing	Brass, nickel-plated

Dimensions



Dimensions

Part No.	Port D	Port G	H	L	L1	SW 1	SW 2
1823391784	Ø 4	R 1/8	8.5	16.8	21	10	10
1823391785	Ø 6	R 1/8	8.5	17	20	12	10
1823391786	Ø 4	R 1/4	12.5	23	21.5	10	11
1823391787	Ø 6	R 1/4	11.8	22	22	12	11
1823391788	Ø 8	R 1/4	10.5	22	24	14	11

Connection D = inside diameter of the tubing to be used

Series NU2

- 1x banjo union
- Uncollected
- G 1/8 G 1/4 G 3/8
- plug-in with tube nut
- Ø 3 Ø 4 Ø 6
- NU2-S-RV1



Working pressure min./max. -0.95 ... 15 bar
Ambient temperature min./max. -10 ... 70 °C

Technical data

Part No.	Port G	Port D	Delivery unit
1823391074	G 1/8	Ø 3	10 piece
1823391075	G 1/8	Ø 4	10 piece
1823391076	G 1/8	Ø 6	10 piece
1823391056	G 1/4	Ø 4	10 piece
1823391057	G 1/4	Ø 6	10 piece
1823391058	G 3/8	Ø 6	10 piece

Technical information

The banjo unions and banjo bolts of the QR2 and NU2 series can be combined.

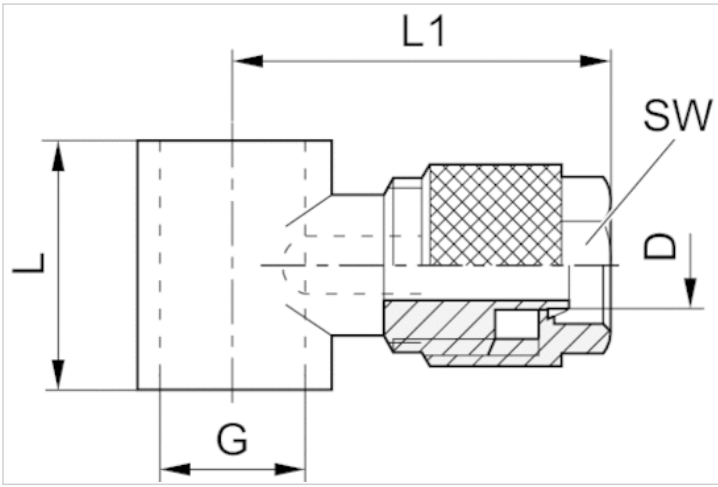
For further information about assembling and tolerances of adaptable tubing can be found in the "Technical information" document (available in the MediaCentre).

Technical information

Material	
Housing	Brass, nickel-plated

Dimensions

Dimensions



Dimensions

Part No.	Port D	Port G	L	L1	SW
1823391074	Ø 3	G 1/8	15	21	8
1823391075	Ø 4	G 1/8	15	23	10
1823391076	Ø 6	G 1/8	15	23	12
1823391056	Ø 4	G 1/4	17	26	10
1823391057	Ø 6	G 1/4	17	26	12
1823391058	Ø 6	G 3/8	20	26	12

Connection D = inside diameter of the tubing to be used

Series NU2

- Swivel banjo connection 1-fold
- External thread
- M5 G 1/8 G 1/4 G 3/8
- plug-in with tube nut
- Ø 3 Ø 4 Ø 6 Ø 9
- NU2-S-RW1



Working pressure min./max.	-0.95 ... 15 bar
Ambient temperature min./max.	-10 ... 70 °C
Weight per piece	See table below

Technical data

Part No.	Port G	Port D	Delivery unit	Weight per piece
1823391068	M5	Ø 3	5 piece	0.005 kg
1823391035	M5	Ø 4	5 piece	0.005 kg
1823391069	G 1/8	Ø 3	5 piece	0.03 kg
1823391000	G 1/8	Ø 4	5 piece	0.034 kg
1823391001	G 1/8	Ø 6	5 piece	0.036 kg
1823391002	G 1/4	Ø 4	5 piece	0.047 kg
1823391003	G 1/4	Ø 6	5 piece	0.049 kg
1823391042	G 1/4	Ø 9	2 piece	0.054 kg
1823391040	G 3/8	Ø 6	5 piece	0.073 kg
1823391041	G 3/8	Ø 9	2 piece	0.078 kg

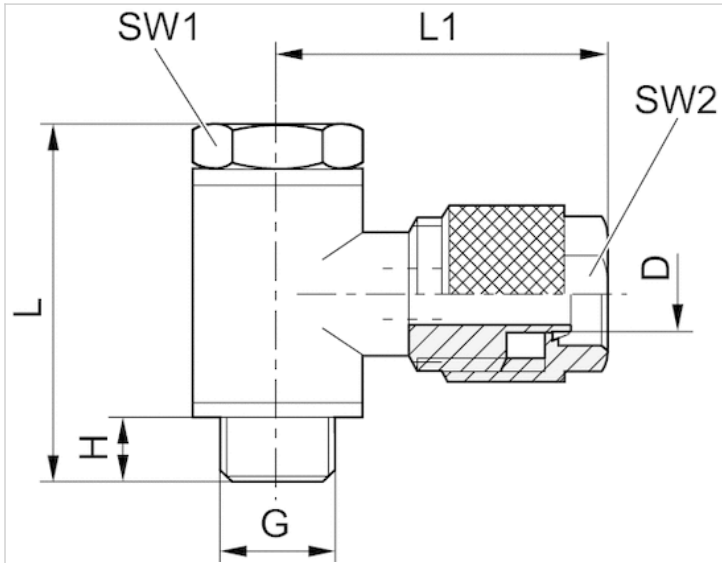
Technical information

For further information about assembling and tolerances of adaptable tubing can be found in the "Technical information" document (available in the MediaCentre).

Technical information

Material	
Housing	Brass, nickel-plated
Seal	Polyvinyl chloride

Dimensions



Dimensions

Part No.	Port D	Port G	H	L	L1	SW 1	SW 2
1823391068	Ø 3	M5	4.5	17.5	16.5	8	8
1823391035	Ø 4	M5	4.5	17.5	16.5	8	9
1823391069	Ø 3	G 1/8	6.5	28	21	14	8
1823391000	Ø 4	G 1/8	6.5	28	23	14	10
1823391001	Ø 6	G 1/8	6.5	28	23	14	12
1823391002	Ø 4	G 1/4	6.5	29.5	26	17	10
1823391003	Ø 6	G 1/4	6.5	29.5	26	17	12
1823391042	Ø 9	G 1/4	7.7	36.7	26	17	15
1823391040	Ø 6	G 3/8	7	36	26	19	12
1823391041	Ø 9	G 3/8	7	36	30	19	15

Connection D = inside diameter of the tubing to be used

Series NU2

- X-connector
- plug-in with tube nut
- Ø 4 Ø 6
- plug-in with tube nut
- Ø 4 Ø 6
- NU2-S-RXS



Working pressure min./max. -0.95 ... 15 bar
 Ambient temperature min./max. -10 ... 70 °C
 Weight per piece 0.025 kg

Technical data

Part No.	Port G	Port D	Delivery unit
1823391090	Ø 4	Ø 4	5 piece
1823391091	Ø 6	Ø 6	5 piece

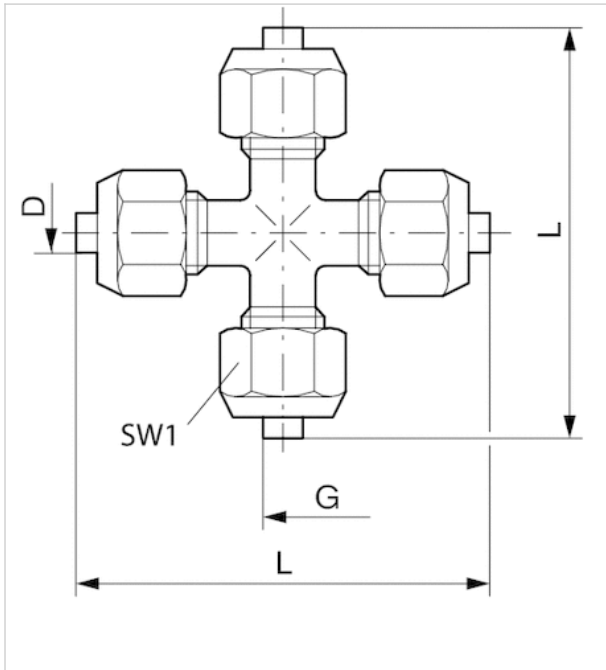
Technical information

For further information about assembling and tolerances of adaptable tubing can be found in the "Technical information" document (available in the MediaCentre).

Technical information

Material	
Housing	Aluminum, black anodized
tube nut	Polyamide, fiber-glass reinforced, black

Dimensions



Dimensions

Part No.	Port D	Port G	L	SW1
1823391090	Ø 4	Ø 4	46	13
1823391091	Ø 6	Ø 6	48	15

Connection D = inside diameter of the tubing to be used

Series NU2

- X-connector
- plug-in with tube nut
- Ø 3 Ø 4 Ø 6 Ø 8
- plug-in with tube nut
- Ø 3 Ø 4 Ø 6 Ø 8
- NU2-S-RXS



Working pressure min./max. -0.95 ... 15 bar
Ambient temperature min./max. -25 ... 70 °C

Technical data

Part No.	Port G	Port D	Delivery unit
1823391801	Ø 3	Ø 3	5 piece
1823391802	Ø 4	Ø 4	5 piece
1823391803	Ø 6	Ø 6	5 piece
1823391804	Ø 8	Ø 8	5 piece

Technical information

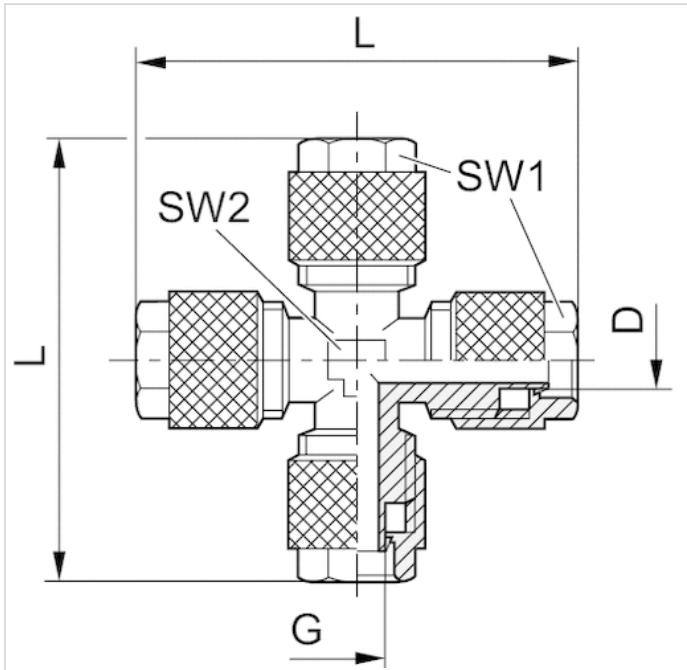
For use up to -40 °C when using with compressed air tubing series TU1-S-PAM Ø4x1, Ø6x1, Ø8x1, Ø10x1, Ø12x1.5

For further information about assembling and tolerances of adaptable tubing can be found in the "Technical information" document (available in the MediaCentre).

Technical information

Material	
Housing	Brass, nickel-plated

Dimensions



Dimensions

Part No.	Port D	Port G	L	SW 1	SW 2
1823391801	Ø 3	Ø 3	41.2	8	8
1823391802	Ø 4	Ø 4	40	10	8
1823391803	Ø 6	Ø 6	41	12	9
1823391804	Ø 8	Ø 8	44	14	11

Connection D = inside diameter of the tubing to be used

Series NU2

- bulkhead connector
- plug-in with tube nut
- Ø 3 Ø 4 Ø 6 Ø 9
- plug-in with tube nut
- Ø 3 Ø 4 Ø 6 Ø 9
- NU2-S-RSM



Working pressure min./max. -0.95 ... 15 bar
 Ambient temperature min./max. -25 ... 70 °C
 Weight per piece See table below

Technical data

Part No.	Port G	Port D	Delivery unit	Weight per piece
1823391084	Ø 3	Ø 3	5 piece	0.012 kg
1823391085	Ø 4	Ø 4	5 piece	0.031 kg
1823391086	Ø 6	Ø 6	5 piece	0.042 kg
1823391087	Ø 9	Ø 9	5 piece	0.066 kg

Technical information

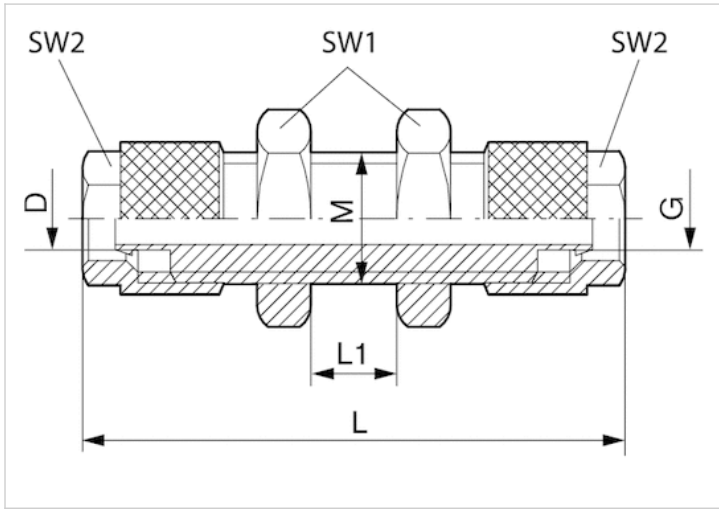
For use up to -40 °C when using with compressed air tubing series TU1-S-PAM Ø4x1, Ø6x1, Ø8x1, Ø10x1, Ø12x1.5

For further information about assembling and tolerances of adaptable tubing can be found in the "Technical information" document (available in the MediaCentre).

Technical information

Material	
Housing	Brass, nickel-plated

Dimensions



Dimensions

Part No.	Port D	Port G	M	L	L1 1)	SW 1	SW 2
1823391084	Ø 3	Ø 3	M7x0,75	35	10	10	8
1823391085	Ø 4	Ø 4	M10x1	45	12	14	10
1823391086	Ø 6	Ø 6	M12x1	45	12	17	12
1823391087	Ø 9	Ø 9	M16x1	58	13	19	15

1) Max.

Connection D = inside diameter of the tubing to be used

Series NU2

- Bulkhead connector
- Internal thread
- M5 G 1/8 G 1/4 G 3/8
- plug-in with tube nut
- Ø 3 Ø 4 Ø 6 Ø 9
- NU2-S-RSI



Working pressure min./max.	-0.95 ... 15 bar
Ambient temperature min./max.	-25 ... 70 °C
Weight per piece	See table below

Technical data

Part No.	Port G	Port D	Delivery unit	Weight per piece
1823391306	M5	Ø 3	2 piece	0.013 kg
1823391307	G 1/8	Ø 4	2 piece	0.031 kg
1823391308	G 1/8	Ø 6	2 piece	0.038 kg
1823391309	G 1/4	Ø 6	2 piece	0.052 kg
1823391310	G 1/4	Ø 9	2 piece	0.071 kg
1823391311	G 3/8	Ø 6	2 piece	0.066 kg

Technical information

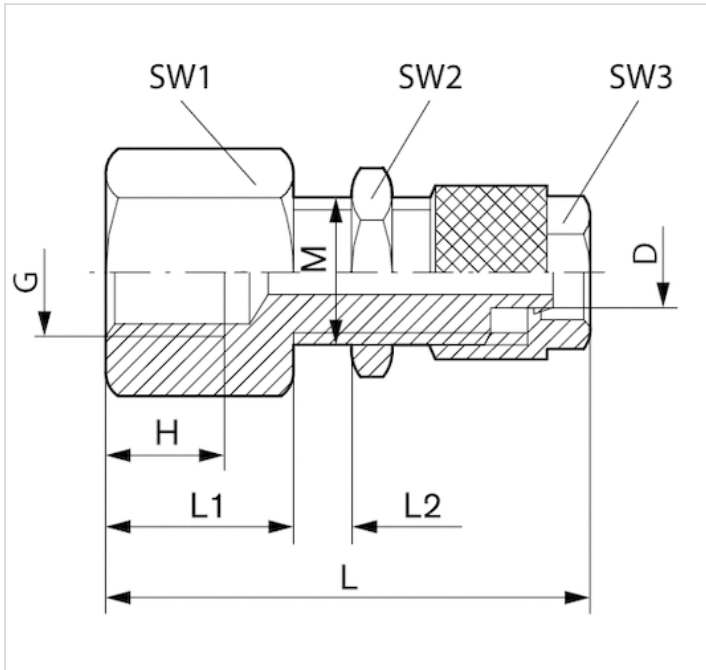
For use up to -40 °C when using with compressed air tubing series TU1-S-PAM Ø4x1, Ø6x1, Ø8x1, Ø10x1, Ø12x1.5

For further information about assembling and tolerances of adaptable tubing can be found in the "Technical information" document (available in the MediaCentre).

Technical information

Material	
Housing	Brass, nickel-plated

Dimensions



Dimensions

Part No.	Port D	Port G	H	L	L1	L2 1)	M	SW 1	SW 2	SW 3
1823391306	Ø 3	M5	4.5	29	8	8	M7x0,75	9	10	8
1823391307	Ø 4	G 1/8	8	38	12	10	M10x1	13	14	10
1823391308	Ø 6	G 1/8	12	39	12	10	M12x1	17	17	12
1823391309	Ø 6	G 1/4	12	45	18	10	M12x1	17	17	12
1823391310	Ø 9	G 1/4	12	47	18	10	M16x1	22	19	15
1823391311	Ø 6	G 3/8	12	46	19	10	M12x1	17	17	12

1) Max.

Connection D = inside diameter of the tubing to be used

Efficient pneumatic solutions, our program: cylinders and drives, valves and valve systems, air supply management



Visit us: Emerson.com/Aventics

Your local contact: Emerson.com/contactus



Emerson.com



Facebook.com/EmersonAutomationSolutions



LinkedIn.com/company/Emerson-Automation-Solutions



Twitter.com/EMR_Automation

An example configuration is depicted on the title page. The delivered product may thus vary from that in the illustration. Subject to change. This Document, as well as the data, specifications and other information set forth in it, are the exclusive property of AVENTICS GmbH. It may not be reproduced or given to third parties without its consent. Only use the AVENTICS products shown in industrial applications. Read the product documentation completely and carefully before using the product. Observe the applicable regulations and laws of the respective country. When integrating the product into applications, note the system manufacturer's specifications for safe use of the product. The data specified only serve to describe the product. No statements concerning a certain condition or suitability for a certain application can be derived from our information. The information given does not release the user from the obligation of own judgment and verification. It must be remembered that the products are subject to a natural process of wear and aging.

The Emerson logo is a trademark and service mark of Emerson Electric Co. Brand logotype are registered trademarks of one of the Emerson family of companies. All other marks are the property of their respective owners. © 2017 Emerson Electric Co. All rights reserved.
2019-03



CONSIDER IT SOLVED™



青岛秉诚自动化设备有限公司
地址：中国·青岛市重庆南路99号海尔云街甲3号楼7F

服务热线：4006-918-365
网址：<http://www.asco.store>

传真：(86-532)585-10-365
Email：sales@bechinas.com