

Series QR1-S standard - inch



AVENTICS™ Series QR1-S standard - inch



青岛秉诚自动化设备有限公司
地址：中国·青岛市重庆南路99号海尔云街甲3号楼7F

服务热线：4006-918-365
网址：<http://www.asco.store>

传真：(86-532)585-10-365
Email：sales@bechinas.com

QR1-S-RPN standard series

- Straight fitting
- External thread
- 10-32 UNF 1/8 NPT 1/4 NPT 3/8 NPT 1/2 NPT
- push-in fitting
- Ø5/32 Ø1/4 Ø5/16 Ø 3/8 Ø1/2
- QR1-S-RPN



Working pressure min./max.	-0.95 ... 10 bar
Ambient temperature min./max.	0 ... 60 °C
Weight per piece	See table below

Technical data

Part No.	Port G	Port D	Delivery unit	Weight per piece
R432000139	10-32 UNF	Ø5/32	10 piece	0.009 kg
R432000126	10-32 UNF	Ø1/4	10 piece	0.014 kg
R432000128	1/8 NPT	Ø1/4	10 piece	0.009 kg
R432000127	1/4 NPT	Ø1/4	10 piece	0.017 kg
R432000137	1/8 NPT	Ø5/16	10 piece	0.018 kg
R432000141	1/8 NPT	Ø5/32	10 piece	0.009 kg
R432002636	1/8 NPT	Ø 3/8	10 piece	0.027 kg
R432000133	1/4 NPT	Ø 3/8	10 piece	0.032 kg
R432000136	1/4 NPT	Ø5/16	10 piece	0.018 kg
R432000124	1/4 NPT	Ø1/2	10 piece	0.041 kg
R432000140	1/4 NPT	Ø5/32	10 piece	0.014 kg
R432000125	3/8 NPT	Ø1/2	10 piece	0.041 kg
R432000129	3/8 NPT	Ø1/4	10 piece	0.023 kg
R432000134	3/8 NPT	Ø 3/8	10 piece	0.027 kg
R432000138	3/8 NPT	Ø5/16	10 piece	0.027 kg
R432000123	1/2 NPT	Ø1/2	10 piece	0.05 kg
R432000132	1/2 NPT	Ø 3/8	10 piece	0.05 kg
R432000135	1/2 NPT	Ø5/16	10 piece	0.05 kg

Technical information

The series QR1 (plastic) and QR2 (metal) can not be combined

Thread seal with captive O-ring

These pneumatic components with NPT or inch thread dimensions are only available from our US sales organization.

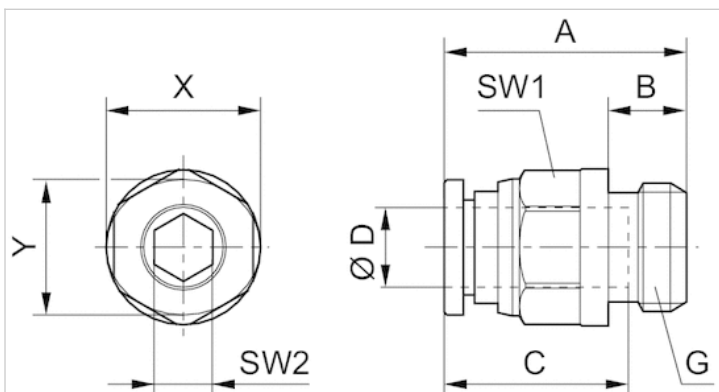
For further information about assembling and tolerances of adaptable tubing can be found in the “Technical information” document (available in the MediaCentre).

Technical information

Material	
Material	nickel-plated
Housing	Brass, nickel-plated
Seal	Acrylonitrile butadiene rubber
Tooth lock washer	Stainless steel
Release ring	Polyoxymethylene
Release ring holder	Die cast zinc Brass, nickel-plated
Thread	Brass, nickel-plated

Dimensions

Dimensions



Dimensions in inches

Part No.	Port D	Port G	A	B	C	SW1	SW2	X	Y
R432000139	Ø5/32	10-32 UNF	0.87	0.16	0.63	7/16	0.09	0.47	0.39
R432000126	Ø1/4	10-32 UNF	0.99	0.16	0.67	1/2	0.09	0.55	0.47
R432000128	Ø1/4	1/8 NPT	0.93	0.32	0.67	1/2	0.16	0.55	0.47
R432000127	Ø1/4	1/4 NPT	1.01	0.43	0.67	9/16	0.16	0.55	0.47
R432000137	Ø5/16	1/8 NPT	1.14	0.32	0.73	9/16	0.19	0.63	0.55
R432000141	Ø5/32	1/8 NPT	0.87	0.32	0.63	7/16	0.09	0.47	0.39
R432002636	Ø 3/8	1/8 NPT	1.24	0.32	0.83	11/16	0.19	0.75	0.67
R432000133	Ø 3/8	1/4 NPT	1.38	0.43	0.83	11/16	0.22	0.75	0.67
R432000136	Ø5/16	1/4 NPT	1.08	0.43	0.73	9/16	0.22	0.63	0.55
R432000124	Ø1/2	1/4 NPT	1.18	0.43	0.89	7/8	0.25	0.91	0.67
R432000140	Ø5/32	1/4 NPT	0.87	0.43	0.63	9/16	0.09	0.47	0.39
R432000125	Ø1/2	3/8 NPT	1.28	0.47	0.89	7/8	0.31	0.91	0.83
R432000129	Ø1/4	3/8 NPT	0.99	0.47	0.67	11/16	0.16	0.55	0.47
R432000134	Ø 3/8	3/8 NPT	1.2	0.47	0.83	11/16	0.31	0.75	0.67
R432000138	Ø5/16	3/8 NPT	1.01	0.47	0.73	11/16	0.22	0.63	0.55

Part No.	Port D	Port G	A	B	C	SW1	SW2	X	Y
R432000123	Ø1/2	1/2 NPT	1.36	0.59	0.89	7/8	0.31	0.91	0.83
R432000132	Ø 3/8	1/2 NPT	1.18	0.59	0.83	7/8	0.31	0.75	0.67
R432000135	Ø5/16	1/2 NPT	1.1	0.59	0.73	7/8	0.22	0.63	0.55

QR1-S-RAI standard series

- Straight female stud fitting
- Internal thread
- 3/8 NPT 1/8 NPT 1/4 NPT 1/2 NPT
- push-in fitting
- Ø1/4 Ø5/16 Ø 3/8 Ø1/2 Ø5/32
- QR1-S-RAI



Working pressure min./max.	-0.95 ... 10 bar
Ambient temperature min./max.	0 ... 60 °C
Weight per piece	See table below

Technical data

Part No.	Port G	Port D	Delivery unit	Weight per piece
R432000021	3/8 NPT	Ø1/4	10 piece	0.03 kg
R432000028	3/8 NPT	Ø5/16	10 piece	0.041 kg
R432000024	3/8 NPT	Ø 3/8	10 piece	0.05 kg
R432000018	3/8 NPT	Ø1/2	10 piece	0.059 kg
R432000030	1/8 NPT	Ø5/32	10 piece	0.014 kg
R432000020	1/8 NPT	Ø1/4	10 piece	0.014 kg
R432000027	1/8 NPT	Ø5/16	10 piece	0.018 kg
R432000029	1/4 NPT	Ø5/32	10 piece	0.023 kg
R432000019	1/4 NPT	Ø1/4	10 piece	0.023 kg
R432000026	1/4 NPT	Ø5/16	10 piece	0.027 kg
R432000023	1/4 NPT	Ø 3/8	10 piece	0.032 kg
R432000017	1/4 NPT	Ø1/2	10 piece	0.05 kg
R432000025	1/2 NPT	Ø5/16	10 piece	0.05 kg
R432000022	1/2 NPT	Ø 3/8	10 piece	0.05 kg
R432000016	1/2 NPT	Ø1/2	10 piece	0.03 kg

Technical information

The series QR1 (plastic) and QR2 (metal) can not be combined
 These pneumatic components with NPT or inch thread dimensions are only available from our US sales organization.

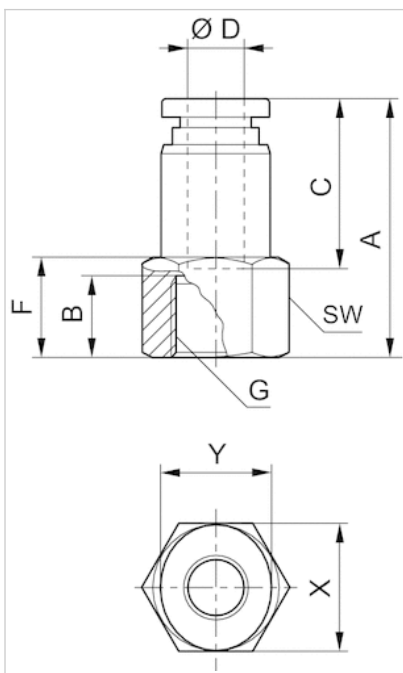
For further information about assembling and tolerances of adaptable tubing can be found in the "Technical information" document (available in the MediaCentre).

Technical information

Material	
Material	nickel-plated
Housing	Brass, nickel-plated
Seal	Acrylonitrile butadiene rubber
Tooth lock washer	Stainless steel
Release ring	Polyoxymethylene
Release ring holder	Die cast zinc Brass, nickel-plated
Thread	Brass, nickel-plated

Dimensions

Dimensions in inches



Dimensions in inches

Part No.	Port D	Port G	A	B	F	C	SW	X	Y
R432000021	Ø1/4	3/8 NPT	1.23	0.51	0.59	0.67	7/8 "	0.47	0.39
R432000028	Ø5/16	3/8 NPT	1.28	0.51	0.63	0.73	7/8 "	0.63	0.55
R432000024	Ø 3/8	3/8 NPT	1.38	0.51	0.59	0.83	7/8 "	0.75	0.67
R432000018	Ø1/2	3/8 NPT	1.47	0.51	0.55	0.89	7/8 "	0.91	0.83
R432000030	Ø5/32	1/8 NPT	1.01	0.36	0.43	0.63	9/16 "	0.47	0.39
R432000020	Ø1/4	1/8 NPT	1.06	0.36	0.39	0.67	9/16 "	0.47	0.39
R432000027	Ø5/16	1/8 NPT	1.13	0.36	0.47	0.73	9/16 "	0.63	0.55
R432000029	Ø5/32	1/4 NPT	1.13	0.47	0.55	0.63	11/16 "	0.47	0.39
R432000019	Ø1/4	1/4 NPT	1.18	0.47	0.55	0.67	11/16 "	0.47	0.39
R432000026	Ø5/16	1/4 NPT	1.23	0.47	0.59	0.73	11/16 "	0.63	0.55
R432000023	Ø 3/8	1/4 NPT	1.34	0.47	0.51	0.83	11/16 "	0.75	0.67

Part No.	Port D	Port G	A	B	F	C	SW	X	Y
R432000017	Ø1/2	1/4 NPT	1.43	0.47	0.51	0.89	7/8 "	0.91	0.83
R432000025	Ø5/16	1/2 NPT	1.4	0.63	0.75	0.73	7/8 "	0.63	0.55
R432000022	Ø 3/8	1/2 NPT	1.56	0.63	0.75	0.83	7/8 "	0.75	0.67
R432000016	Ø1/2	1/2 NPT	1.56	0.63	0.75	0.89	7/8 "	0.91	0.83

QR1-S-RSI standard series

- Bulkhead connector
- Internal thread
- 3/8 NPT 1/8 NPT 1/4 NPT
- push-in fitting
- Ø1/2 Ø 3/8 Ø5/16 Ø1/4
- QR1-S-RSI



Working pressure min./max.	-0.95 ... 10 bar
Ambient temperature min./max.	0 ... 60 °C
Weight per piece	See table below

Technical data

Part No.	Port G	Port D	Delivery unit	Weight per piece
R432000142	3/8 NPT	Ø1/2	10 piece	0.08 kg
R432000146	3/8 NPT	Ø 3/8	10 piece	0.07 kg
R432000149	3/8 NPT	Ø5/16	10 piece	0.03 kg
R432000144	1/8 NPT	Ø1/4	10 piece	0.027 kg
R432000143	1/4 NPT	Ø1/4	10 piece	0.032 kg
R432000145	1/4 NPT	Ø 3/8	10 piece	0.059 kg
R432000147	1/4 NPT	Ø5/16	10 piece	0.041 kg

Technical information

The series QR1 (plastic) and QR2 (metal) can not be combined

These pneumatic components with NPT or inch thread dimensions are only available from our US sales organization.

For further information about assembling and tolerances of adaptable tubing can be found in the "Technical information" document (available in the MediaCentre).

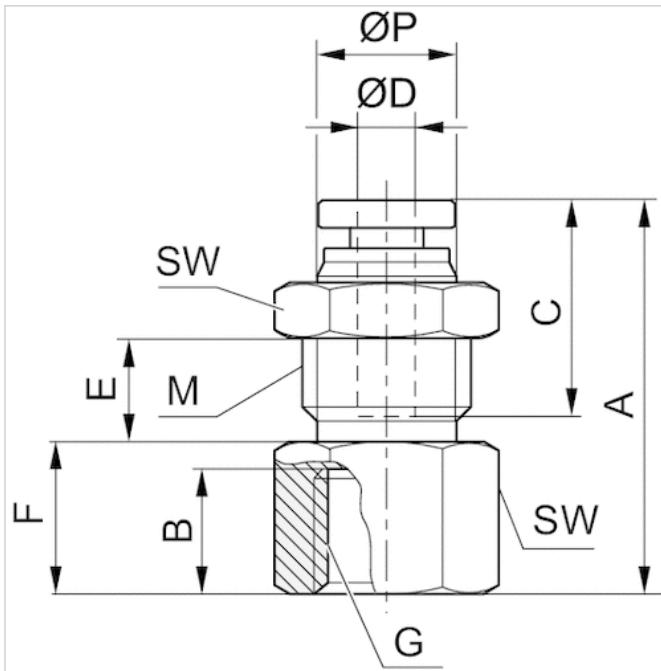
Technical information

Material	
Material	nickel-plated
Housing	Brass, nickel-plated
Seal	Acrylonitrile butadiene rubber
Tooth lock washer	Stainless steel

Material	
Release ring	Polyoxymethylene
Release ring holder	Die cast zinc Brass, nickel-plated
Thread	Brass, nickel-plated

Dimensions

Dimensions in inches



Dimensions in inches

Part No.	Port D	Port G	M	A	B	C	E	F	SW	Ø P
R432000142	Ø1/2	3/8 NPT	7/8 UNF	1.52	0.51	0.89	0.34	0.59	1	0.8
R432000146	Ø 3/8	3/8 NPT	7/8 UNF	1.44	0.51	0.83	0.23	0.59	1	0.67
R432000149	Ø5/16	3/8 NPT	5/8 UNF	1.45	0.51	0.73	0.33	0.59	3/4	0.55
R432000144	Ø1/4	1/8 NPT	9/16 UNF	1.08	0.36	0.67	0.25	0.35	11/16	0.47
R432000143	Ø1/4	1/4 NPT	9/16 UNF	1.26	0.47	0.67	0.25	0.53	11/16	0.47
R432000145	Ø 3/8	1/4 NPT	7/8 UNF	1.4	0.47	0.83	0.23	0.55	1	0.67
R432000147	Ø5/16	1/4 NPT	5/8 UNF	1.41	0.47	0.73	0.33	0.55	3/4	0.55

QR1-S-RAS standard series

- Push-in connector
- External thread
- 10-32 UNF 3/8 NPT 1/8 NPT 1/4 NPT 1/2 NPT
- pin bushing
- Ø5/32 Ø1/4 Ø1/2 Ø 3/8 Ø5/16
- QR1-S-RAS



Working pressure min./max.	-0.95 ... 10 bar
Ambient temperature min./max.	0 ... 60 °C
Weight per piece	See table below

Technical data

Part No.	Port G	Port D	Delivery unit	Weight per piece
R432000045	10-32 UNF	Ø5/32	10 piece	0.005 kg
R432000034	10-32 UNF	Ø1/4	10 piece	0.014 kg
R432000033	3/8 NPT	Ø1/2	10 piece	0.03 kg
R432000037	3/8 NPT	Ø1/4	10 piece	0.023 kg
R432000040	3/8 NPT	Ø 3/8	10 piece	0.027 kg
R432000044	3/8 NPT	Ø5/16	10 piece	0.032 kg
R432000047	1/8 NPT	Ø5/32	10 piece	0.005 kg
R432000036	1/8 NPT	Ø1/4	10 piece	0.018 kg
R432000032	1/4 NPT	Ø1/2	10 piece	0.032 kg
R432000035	1/4 NPT	Ø1/4	10 piece	0.023 kg
R432000039	1/4 NPT	Ø 3/8	10 piece	0.023 kg
R432000046	1/4 NPT	Ø5/32	10 piece	0.014 kg
R432000042	1/4 NPT	Ø5/16	10 piece	0.027 kg
R432000038	1/2 NPT	Ø 3/8	10 piece	0.03 kg
R432000031	1/2 NPT	Ø1/2	5 piece	0.05 kg

Technical information

The series QR1 (plastic) and QR2 (metal) can not be combined

Thread seal with captive O-ring

These pneumatic components with NPT or inch thread dimensions are only available from our US sales organization.

For further information about assembling and tolerances of adaptable tubing can be found in the "Technical information" document (available in the MediaCentre).

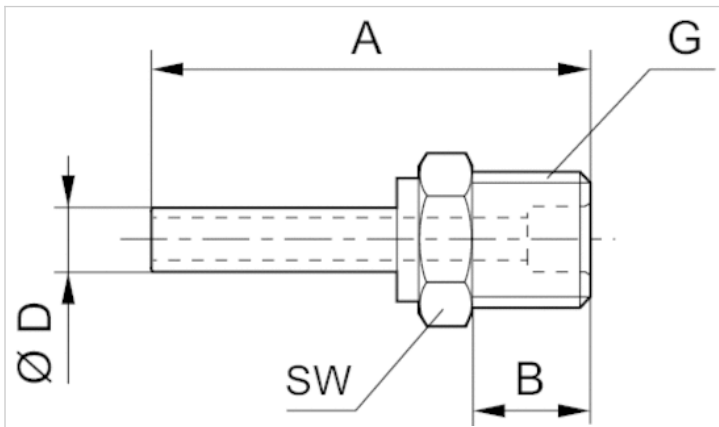
Technical information

Material

Material	nickel-plated
Housing	Polybutyleneterephthalate
Seal	Acrylonitrile butadiene rubber
Thread	Brass, nickel-plated

Dimensions

Dimensions in inches



Dimensions in inches

Part No.	Port D	Port G	A	B	SW
R432000045	Ø5/32	10-32 UNF	1.45	0.16	3/8
R432000034	Ø1/4	10-32 UNF	1.65	0.16	3/8
R432000033	Ø1/2	3/8 NPT	2.4	0.47	23/32
R432000037	Ø1/4	3/8 NPT	1.65	0.47	11/16
R432000040	Ø 3/8	3/8 NPT	1.93	0.47	11/16
R432000044	Ø5/16	3/8 NPT	1.73	0.47	11/16
R432000047	Ø5/32	1/8 NPT	1.3	0.32	13/32
R432000036	Ø1/4	1/8 NPT	1.5	0.32	13/32
R432000032	Ø1/2	1/4 NPT	2.44	0.43	23/32
R432000035	Ø1/4	1/4 NPT	1.62	0.43	9/16
R432000039	Ø 3/8	1/4 NPT	2.17	0.43	19/32
R432000046	Ø5/32	1/4 NPT	1.42	0.43	9/16
R432000042	Ø5/16	1/4 NPT	1.7	0.43	9/16
R432000038	Ø 3/8	1/2 NPT	2.05	0.59	27/32
R432000031	Ø1/2	1/2 NPT	2.25	0.59	27/32

QR1-S-RVT standard series

- Elbow fitting
- External thread
- 10-32 UNF 3/8 NPT 1/8 NPT 1/4 NPT 1/2 NPT
- push-in fitting
- Ø1/4 Ø5/32 Ø1/2 Ø 3/8 Ø5/16
- QR1-S-RVT



Working pressure min./max.	-0.95 ... 10 bar
Ambient temperature min./max.	0 ... 60 °C
Weight per piece	See table below

Technical data

Part No.	Port G	Port D	Delivery unit	Weight per piece
R432000232	10-32 UNF	Ø1/4	10 piece	0.009 kg
R432000243	10-32 UNF	Ø5/32	10 piece	0.005 kg
R432000231	3/8 NPT	Ø1/2	10 piece	0.05 kg
R432000238	3/8 NPT	Ø 3/8	10 piece	0.041 kg
R432000235	3/8 NPT	Ø1/4	10 piece	0.032 kg
R432000242	3/8 NPT	Ø5/16	10 piece	0.032 kg
R432000234	1/8 NPT	Ø1/4	10 piece	0.014 kg
R432000241	1/8 NPT	Ø5/16	10 piece	0.018 kg
R432000245	1/8 NPT	Ø5/32	10 piece	0.014 kg
R432002637	1/8 NPT	Ø 3/8	10 piece	0.032 kg
R432000230	1/4 NPT	Ø1/2	10 piece	0.05 kg
R432000233	1/4 NPT	Ø1/4	10 piece	0.023 kg
R432000237	1/4 NPT	Ø 3/8	10 piece	0.032 kg
R432000240	1/4 NPT	Ø5/16	10 piece	0.023 kg
R432000244	1/4 NPT	Ø5/32	10 piece	0.018 kg
R432000229	1/2 NPT	Ø1/2	10 piece	0.059 kg
R432000236	1/2 NPT	Ø 3/8	10 piece	0.05 kg
R432000239	1/2 NPT	Ø5/16	10 piece	0.05 kg

Technical information

The series QR1 (plastic) and QR2 (metal) can not be combined

Thread seal with captive O-ring

These pneumatic components with NPT or inch thread dimensions are only available from our US sales organization.

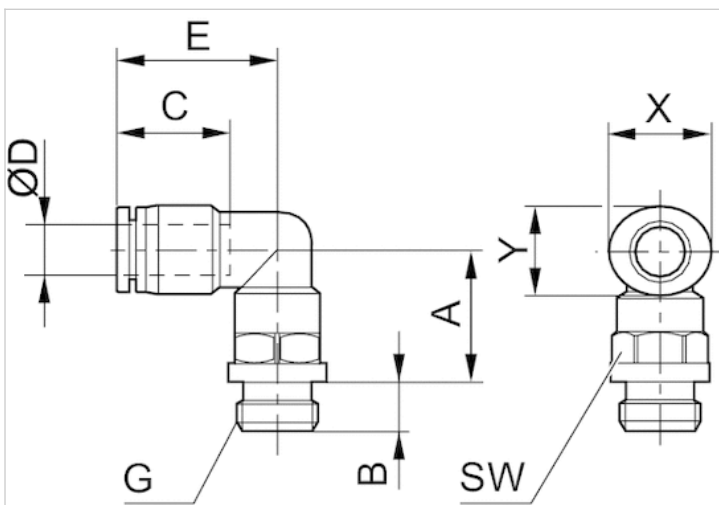
For further information about assembling and tolerances of adaptable tubing can be found in the “Technical information” document (available in the MediaCentre).

Technical information

Material	
Material	nickel-plated
Housing	Polybutyleneterephthalate
Seal	Acrylonitrile butadiene rubber
Tooth lock washer	Stainless steel
Release ring	Polyoxymethylene
Release ring holder	Die cast zinc Brass, nickel-plated
Thread	Brass, nickel-plated

Dimensions

Dimensions in inches



Dimensions in inches

Part No.	Port D	Port G	A	B	C	E	SW	X	Y
R432000232	Ø1/4	10-32 UNF	0.69	0.22	0.67	0.81	5/16	0.55	0.47
R432000243	Ø5/32	10-32 UNF	0.65	0.22	0.63	0.71	5/16	0.47	0.39
R432000231	Ø1/2	3/8 NPT	1.02	0.47	0.89	1.15	11/16	0.91	0.83
R432000238	Ø 3/8	3/8 NPT	0.94	0.47	0.83	1.03	11/16	0.75	0.67
R432000235	Ø1/4	3/8 NPT	0.75	0.47	0.67	0.81	11/16	0.55	0.47
R432000242	Ø5/16	3/8 NPT	0.79	0.47	0.73	0.89	11/16	0.63	0.55
R432000234	Ø1/4	1/8 NPT	0.67	0.32	0.67	0.81	7/16	0.55	0.47
R432000241	Ø5/16	1/8 NPT	0.75	0.32	0.73	0.89	7/16	0.63	0.55
R432000245	Ø5/32	1/8 NPT	0.65	0.32	0.63	0.71	7/16	0.47	0.39
R432002637	Ø 3/8	1/8 NPT	0.94	0.31	0.83	1.03	11/16	0.67	0.75
R432000230	Ø1/2	1/4 NPT	1.02	0.43	0.89	1.15	19/32	0.91	0.83
R432000233	Ø1/4	1/4 NPT	0.71	0.43	0.67	0.81	9/16	0.55	0.47

Part No.	Port D	Port G	A	B	C	E	SW	X	Y
R432000237	Ø 3/8	1/4 NPT	0.94	0.43	0.83	1.03	19/32	0.75	0.67
R432000240	Ø5/16	1/4 NPT	0.79	0.43	0.73	0.89	9/16	0.63	0.55
R432000244	Ø5/32	1/4 NPT	0.65	0.43	0.63	0.71	9/16	0.47	0.39
R432000229	Ø1/2	1/2 NPT	1.02	0.59	0.89	1.15	7/8	0.91	0.83
R432000236	Ø 3/8	1/2 NPT	0.94	0.59	0.83	1.03	7/8	0.75	0.67
R432000239	Ø5/16	1/2 NPT	0.83	0.59	0.73	0.89	7/8	0.63	0.55

QR1-S-RVL standard series

- Long elbow fitting
- External thread
- 10-32 UNF 3/8 NPT 1/8 NPT 1/4 NPT 1/2 NPT
- push-in fitting
- Ø1/4 Ø5/32 Ø5/16 Ø1/2 Ø 3/8
- QR1-S-RVL



Working pressure min./max. -0.95 ... 10 bar
 Ambient temperature min./max. 0 ... 60 °C
 Weight per piece See table below

Technical data

Part No.	Port G	Port D	Delivery unit	Weight per piece
R432000215	10-32 UNF	Ø1/4	10 piece	0.018 kg
R432000226	10-32 UNF	Ø5/32	10 piece	0.018 kg
R432000225	3/8 NPT	Ø5/16	10 piece	0.059 kg
R432000214	3/8 NPT	Ø1/2	10 piece	0.11 kg
R432000218	3/8 NPT	Ø1/4	10 piece	0.05 kg
R432000221	3/8 NPT	Ø 3/8	10 piece	0.03 kg
R432000217	1/8 NPT	Ø1/4	10 piece	0.027 kg
R432000228	1/8 NPT	Ø5/32	10 piece	0.018 kg
R432002638	1/8 NPT	Ø5/32	10 piece	0.059 kg
R432000224	1/8 NPT	Ø5/16	10 piece	0.03 kg
R432000213	1/4 NPT	Ø1/2	10 piece	0.11 kg
R432000216	1/4 NPT	Ø1/4	10 piece	0.03 kg
R432000223	1/4 NPT	Ø5/16	10 piece	0.041 kg
R432000227	1/4 NPT	Ø5/32	10 piece	0.032 kg
R432000220	1/4 NPT	Ø 3/8	10 piece	0.03 kg
R432000212	1/2 NPT	Ø1/2	10 piece	0.12 kg
R432000219	1/2 NPT	Ø 3/8	10 piece	0.1 kg

Technical information

The series QR1 (plastic) and QR2 (metal) can not be combined

Thread seal with captive O-ring

These pneumatic components with NPT or inch thread dimensions are only available from our US sales organization.

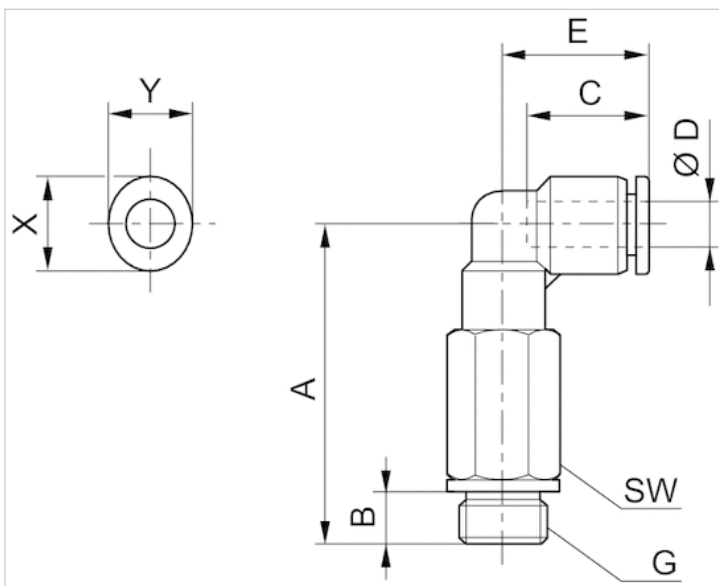
For further information about assembling and tolerances of adaptable tubing can be found in the “Technical information” document (available in the MediaCentre).

Technical information

Material	
Material	nickel-plated
Housing	Polybutyleneterephthalate
Seal	Acrylonitrile butadiene rubber
Tooth lock washer	Stainless steel
Release ring	Polyoxymethylene
Release ring holder	Die cast zinc Brass, nickel-plated
Thread	Brass, nickel-plated

Dimensions

Dimensions in inches



Dimensions in inches

Part No.	Port D	Port G	A	B	C	E	SW	X	Y
R432000215	Ø1/4	10-32 UNF	1.24	0.22	0.67	0.81	5/16	0.55	0.47
R432000226	Ø5/32	10-32 UNF	1.19	0.22	0.63	0.71	5/16	0.47	0.39
R432000225	Ø5/16	3/8 NPT	1.99	0.47	0.73	0.9	11/16	0.63	0.55
R432000214	Ø1/2	3/8 NPT	2	0.47	0.89	1.15	11/16	0.91	0.83
R432000218	Ø1/4	3/8 NPT	1.5	0.47	0.67	0.81	11/16	0.55	0.47
R432000221	Ø 3/8	3/8 NPT	1.93	0.47	0.83	1.03	11/16	0.75	0.67
R432000217	Ø1/4	1/8 NPT	1.33	0.32	0.67	0.81	7/16	0.55	0.47
R432000228	Ø5/32	1/8 NPT	1.28	0.32	0.63	0.71	7/16	0.47	0.39
R432002638	Ø5/32	1/8 NPT	1.99	0.32	0.83	1.03	11/16	0.67	0.75
R432000224	Ø5/16	1/8 NPT	1.46	0.32	0.73	0.9	7/16	0.63	0.55

Part No.	Port D	Port G	A	B	C	E	SW	X	Y
R432000213	Ø1/2	1/4 NPT	2.03	0.43	0.89	1.15	19/32	0.91	0.83
R432000216	Ø1/4	1/4 NPT	1.44	0.43	0.67	0.81	9/16	0.55	0.47
R432000223	Ø5/16	1/4 NPT	1.54	0.43	0.73	0.9	9/16	0.63	0.55
R432000227	Ø5/32	1/4 NPT	1.4	0.43	0.63	0.71	9/16	0.47	0.39
R432000220	Ø 3/8	1/4 NPT	1.96	0.43	0.83	1.03	19/32	0.75	0.67
R432000212	Ø1/2	1/2 NPT	2.11	0.59	0.89	1.15	7/8	0.91	0.83
R432000219	Ø 3/8	1/2 NPT	2.05	0.59	0.83	1.03	7/8	0.75	0.67

QR1-S-RVI standard series

- Elbow screw fitting
- Internal thread
- 10-32 UNF 3/8 NPT 1/8 NPT 1/4 NPT 1/2 NPT
- push-in fitting
- Ø1/4 Ø5/32 Ø 3/8 Ø5/16
- QR1-S-RVI



Working pressure min./max.	-0.95 ... 10 bar
Ambient temperature min./max.	0 ... 60 °C
Weight per piece	See table below

Technical data

Part No.	Port G	Port D	Delivery unit	Weight per piece
R432000194	10-32 UNF	Ø1/4	10 piece	-
R432000204	10-32 UNF	Ø5/32	10 piece	0.009 kg
R432000197	3/8 NPT	Ø1/4	10 piece	0.027 kg
R432000200	3/8 NPT	Ø 3/8	10 piece	0.027 kg
R432000203	3/8 NPT	Ø5/16	10 piece	0.032 kg
R432000196	1/8 NPT	Ø1/4	10 piece	-
R432000202	1/8 NPT	Ø5/16	10 piece	0.009 kg
R432000206	1/8 NPT	Ø5/32	10 piece	0.018 kg
R432000195	1/4 NPT	Ø1/4	10 piece	0.018 kg
R432000199	1/4 NPT	Ø 3/8	10 piece	0.023 kg
R432000201	1/4 NPT	Ø5/16	10 piece	0.009 kg
R432000205	1/4 NPT	Ø5/32	10 piece	0.023 kg
R432000198	1/2 NPT	Ø 3/8	10 piece	0.032 kg

Technical information

The series QR1 (plastic) and QR2 (metal) can not be combined

These pneumatic components with NPT or inch thread dimensions are only available from our US sales organization.

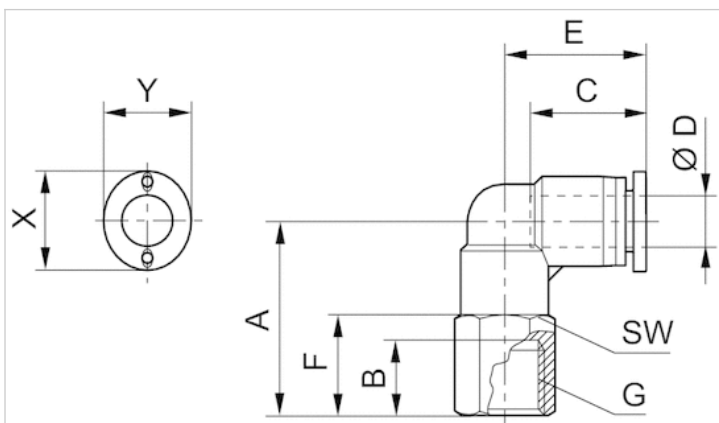
For further information about assembling and tolerances of adaptable tubing can be found in the "Technical information" document (available in the MediaCentre).

Technical information

Material	
Material	nickel-plated
Housing	Polybutyleneterephthalate
Seal	Acrylonitrile butadiene rubber
Tooth lock washer	Stainless steel
Release ring	Polyoxymethylene
Release ring holder	Die cast zinc Brass, nickel-plated
Thread	Brass, nickel-plated

Dimensions

Dimensions in inches



Dimensions in inches

Part No.	Port D	Port G	A	B	C	E	F	SW	X	Y
R432000194	Ø1/4	10-32 UNF	0.63	0.2	0.67	0.8	0.32	7/16	0.55	0.47
R432000204	Ø5/32	10-32 UNF	0.63	0.2	0.63	0.73	0.32	7/16	0.47	0.39
R432000197	Ø1/4	3/8 NPT	1.02	0.47	0.67	0.8	0.63	7/8	0.55	0.47
R432000200	Ø 3/8	3/8 NPT	1.36	0.51	0.83	1.06	0.83	7/8	0.75	0.67
R432000203	Ø5/16	3/8 NPT	1.18	0.51	0.73	0.89	0.59	7/8	0.63	0.55
R432000196	Ø1/4	1/8 NPT	0.67	0.24	0.67	0.8	0.47	9/16	0.55	0.47
R432000202	Ø5/16	1/8 NPT	1.02	0.36	0.73	0.89	0.47	9/16	0.63	0.55
R432000206	Ø5/32	1/8 NPT	0.67	0.24	0.63	0.73	0.43	9/16	0.47	0.39
R432000195	Ø1/4	1/4 NPT	0.91	0.36	0.67	0.8	0.55	11/16	0.55	0.47
R432000199	Ø 3/8	1/4 NPT	1.3	0.47	0.83	1.06	0.51	11/16	0.75	0.67
R432000201	Ø5/16	1/4 NPT	1.14	0.47	0.73	0.89	0.59	11/16	0.63	0.55
R432000205	Ø5/32	1/4 NPT	0.93	0.36	0.63	0.73	0.55	11/16	0.47	0.39
R432000198	Ø 3/8	1/2 NPT	1.5	0.63	0.83	1.06	0.89	7/8	0.75	0.67

QR1-S-RAT standard series

- Elbow fitting 45°
- External thread
- 10-32 UNF 3/8 NPT 1/8 NPT 1/4 NPT 1/2 NPT
- push-in fitting
- Ø1/4 Ø5/32 Ø1/2 Ø 3/8 Ø5/16
- QR1-S-RAT



Working pressure min./max. -0.95 ... 10 bar
 Ambient temperature min./max. 0 ... 60 °C
 Weight per piece See table below

Technical data

Part No.	Port G	Port D	Delivery unit	Weight per piece
R432000286	10-32 UNF	Ø1/4	10 piece	0.05 kg
R432000298	10-32 UNF	Ø5/32	10 piece	0.03 kg
R432000285	3/8 NPT	Ø1/2	10 piece	0.032 kg
R432000289	3/8 NPT	Ø1/4	10 piece	0.032 kg
R432000293	3/8 NPT	Ø 3/8	10 piece	0.032 kg
R432000297	3/8 NPT	Ø5/16	10 piece	0.05 kg
R432000284	1/8 NPT	Ø1/2	10 piece	0.018 kg
R432000296	1/8 NPT	Ø5/16	10 piece	0.009 kg
R432000300	1/8 NPT	Ø5/32	10 piece	0.009 kg
R432000288	1/8 NPT	Ø1/4	10 piece	0.009 kg
R432000292	1/8 NPT	Ø 3/8	10 piece	0.014 kg
R432000283	1/4 NPT	Ø1/2	10 piece	0.023 kg
R432000291	1/4 NPT	Ø 3/8	10 piece	0.023 kg
R432000287	1/4 NPT	Ø1/4	10 piece	0.041 kg
R432000295	1/4 NPT	Ø5/16	10 piece	0.018 kg
R432000299	1/4 NPT	Ø5/32	10 piece	0.032 kg
R432000294	1/2 NPT	Ø5/16	10 piece	0.041 kg
R432000282	1/2 NPT	Ø1/2	10 piece	0.05 kg
R432000290	1/2 NPT	Ø 3/8	10 piece	0.05 kg

Technical information

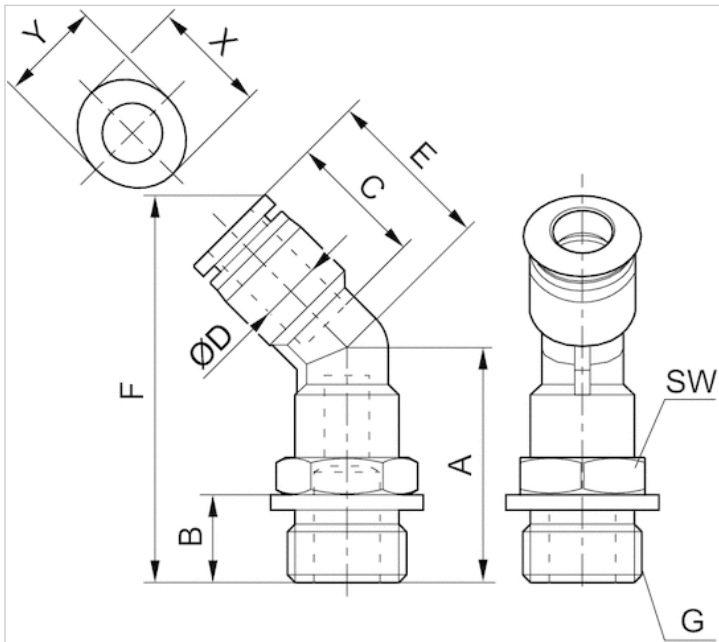
The series QR1 (plastic) and QR2 (metal) can not be combined
 Thread seal with captive O-ring
 These pneumatic components with NPT or inch thread dimensions are only available from our US sales organization.
 For further information about assembling and tolerances of adaptable tubing can be found in the "Technical information" document (available in the MediaCentre).

Technical information

Material	
Material	nickel-plated
Housing	Polybutyleneterephthalate
Seal	Acrylonitrile butadiene rubber
Tooth lock washer	Stainless steel
Release ring	Polyoxymethylene
Release ring holder	Die cast zinc Brass, nickel-plated
Thread	Brass, nickel-plated

Dimensions

Dimensions in inches



Dimensions in inches

Part No.	Port D	Port G	A	B	C	E	F	SW	X	Y
R432000286	Ø1/4	10-32 UNF	0.91	0.22	0.67	0.81	1.48	1/2	0.55	0.47
R432000298	Ø5/32	10-32 UNF	0.87	0.22	0.63	0.71	1.37	7/16	0.47	0.39
R432000285	Ø1/2	3/8 NPT	1.5	0.47	0.89	1.15	2.31	7/8	0.91	0.83
R432000289	Ø1/4	3/8 NPT	1.23	0.47	0.67	0.81	1.8	11/16	0.55	0.47
R432000293	Ø 3/8	3/8 NPT	1.42	0.47	0.83	1.03	2.14	11/16	0.75	0.67
R432000297	Ø5/16	3/8 NPT	1.26	0.47	0.73	0.89	1.89	11/16	0.63	0.55

Part No.	Port D	Port G	A	B	C	E	F	SW	X	Y
R432000284	Ø1/2	1/8 NPT	1.34	0.32	0.89	1.15	2.16	7/8	0.91	0.83
R432000296	Ø5/16	1/8 NPT	1.06	0.32	0.73	0.89	1.7	9/16	0.63	0.55
R432000300	Ø5/32	1/8 NPT	0.91	0.32	0.63	0.71	1.41	7/16	0.47	0.39
R432000288	Ø1/4	1/8 NPT	0.99	0.32	0.67	0.81	1.56	1/2	0.55	0.47
R432000292	Ø 3/8	1/8 NPT	1.26	0.32	0.83	1.03	1.98	11/16	0.75	0.67
R432000283	Ø1/2	1/4 NPT	1.46	0.43	0.89	1.15	2.27	7/8	0.91	0.83
R432000291	Ø 3/8	1/4 NPT	1.38	0.43	0.83	1.03	2.1	11/16	0.75	0.67
R432000287	Ø1/4	1/4 NPT	1.15	0.43	0.67	0.81	1.72	9/16	0.55	0.47
R432000295	Ø5/16	1/4 NPT	1.22	0.43	0.73	0.89	1.85	9/16	0.63	0.55
R432000299	Ø5/32	1/4 NPT	1.09	0.43	0.63	0.71	1.47	9/16	0.47	0.39
R432000294	Ø5/16	1/2 NPT	1.42	0.59	0.73	0.89	2.05	7/8	0.63	0.55
R432000282	Ø1/2	1/2 NPT	1.62	0.59	0.89	1.15	2.43	7/8	0.91	0.83
R432000290	Ø 3/8	1/2 NPT	1.54	0.59	0.83	1.03	2.26	7/8	0.75	0.67

QR1-S-RW1 standard series

- Swivel banjo connection 1-fold
- External thread
- 10-32 UNF 3/8 NPT 1/8 NPT 1/4 NPT 1/2 NPT
- push-in fitting
- Ø5/32 Ø 3/8 Ø1/2 Ø1/4 Ø5/16
- QR1-S-RW1



Working pressure min./max.	-0.95 ... 10 bar
Ambient temperature min./max.	0 ... 60 °C
Weight per piece	See table below

Technical data

Part No.	Port G	Port D	Weight per piece
R432000254	10-32 UNF	Ø5/32	0.05 kg
R432000251	3/8 NPT	Ø 3/8	0.032 kg
R432000247	3/8 NPT	Ø1/2	0.05 kg
R432000248	1/8 NPT	Ø1/4	0.009 kg
R432000253	1/8 NPT	Ø5/16	0.014 kg
R432000255	1/8 NPT	Ø5/32	0.053 kg
R432000249	1/4 NPT	Ø1/4	0.018 kg
R432000250	1/4 NPT	Ø 3/8	0.032 kg
R432000252	1/4 NPT	Ø5/16	0.027 kg
R432000246	1/2 NPT	Ø1/2	0.059 kg

Technical information

The series QR1 (plastic) and QR2 (metal) can not be combined

Thread seal with captive O-ring

These pneumatic components with NPT or inch thread dimensions are only available from our US sales organization.

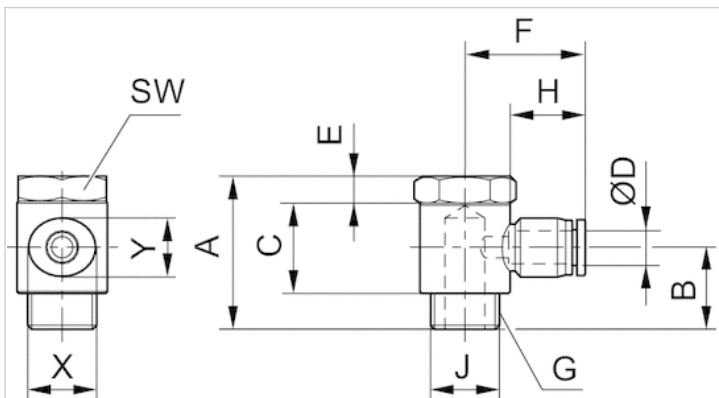
For further information about assembling and tolerances of adaptable tubing can be found in the "Technical information" document (available in the MediaCentre).

Technical information

Material	
Material	nickel-plated
Housing	Polybutyleneterephthalate
Seal	Acrylonitrile butadiene rubber
Tooth lock washer	Stainless steel
Release ring	Polyoxymethylene
Release ring holder	Die cast zinc Brass, nickel-plated
Thread	Brass, nickel-plated

Dimensions

Dimensions in inches



Dimensions in inches

Part No.	Port D	Port G	A	B	C	E	F	H	Ø J	SW	X	Y
R432000254	Ø5/32	10-32 UNF	0.61	-	0.351	0.118	0.78	0.63	0.41	13/32	0.47	0.39
R432000251	Ø 3/8	3/8 NPT	1.28	-	0.611	0.197	1.26	0.83	0.87	3/4	0.75	0.67
R432000247	Ø1/2	3/8 NPT	1.28	-	0.611	0.197	1.43	0.89	0.87	3/4	0.91	0.83
R432000248	Ø1/4	1/8 NPT	0.95	-	0.473	0.158	0.93	0.67	0.57	7/16	0.55	0.47
R432000253	Ø5/16	1/8 NPT	1.08	-	0.465	0.177	1.12	0.73	0.73	9/16	0.63	0.55
R432000255	Ø5/32	1/8 NPT	0.95	-	0.473	0.158	0.85	0.63	0.57	7/16	0.47	0.39
R432000249	Ø1/4	1/4 NPT	1.08	-	0.465	0.177	1.01	0.67	0.73	9/16	0.55	0.47
R432000250	Ø 3/8	1/4 NPT	1.08	-	0.465	0.177	1.25	0.83	0.73	9/16	0.75	0.67
R432000252	Ø5/16	1/4 NPT	1.15	-	0.611	0.197	1.13	0.73	0.87	9/16	0.63	0.55
R432000246	Ø1/2	1/2 NPT	1.49	-	0.697	0.197	1.43	0.89	1.1	1	0.91	0.83

QR1-S-RWD standard series

- Swivel banjo connection 2-fold, with internal thread
- External thread
- 10-32 UNF 3/8 NPT 1/8 NPT 1/4 NPT 1/2 NPT
- push-in fitting
- Ø5/32 Ø 3/8 Ø1/4 Ø5/16 Ø1/2
- Internal thread
- G 1/2
- QR1-S-RWD



Working pressure min./max.	-0.95 ... 10 bar
Ambient temperature min./max.	0 ... 60 °C
Weight per piece	0.118 kg

Technical data

Part No.	Port G	Port D	Delivery unit
R432000011	10-32 UNF	Ø5/32	5 piece
R432000009	3/8 NPT	Ø 3/8	5 piece
R432000008	1/8 NPT	Ø1/4	5 piece
R432000010	1/4 NPT	Ø5/16	5 piece
R432000007	1/2 NPT	Ø1/2	5 piece

Technical information

The series QR1 (plastic) and QR2 (metal) can not be combined

Thread seal with captive O-ring

These pneumatic components with NPT or inch thread dimensions are only available from our US sales organization.

For further information about assembling and tolerances of adaptable tubing can be found in the "Technical information" document (available in the MediaCentre).

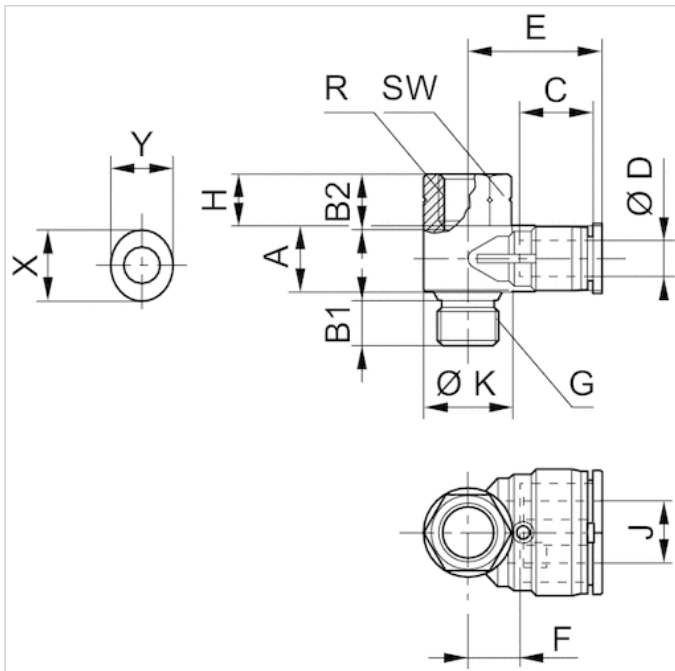
Technical information

Material	
Material	nickel-plated
Housing	Polybutyleneterephthalate
Seal	Acrylonitrile butadiene rubber
Tooth lock washer	Stainless steel

Material	
Release ring	Polyoxymethylene
Release ring holder	Die cast zinc Brass, nickel-plated
Thread	Brass, nickel-plated

Dimensions

Dimensions in inches



Dimensions in inches

Part No.	Port R	Port D	Port G	A	B1	B2	C	E	H	J	Ø K	SW	X	Y
R432000011	G 1/2	Ø5/32	10-32 UNF	0.35	0.19	--	0.63	0.83	0.26	0.4	0.39	5/16	0.47	0.39
R432000009	G 1/2	Ø 3/8	3/8 NPT	0.83	0.47	--	0.83	1.51	0.67	0.79	1.18	7/8	0.75	0.67
R432000008	G 1/2	Ø1/4	1/8 NPT	0.591	0.32	--	0.67	1.19	0.45	0.55	0.79	9/16	0.55	0.47
R432000010	G 1/2	Ø5/16	1/4 NPT	0.71	0.43	--	0.73	1.35	0.53	0.67	0.91	11/16	0.63	0.55
R432000007	G 1/2	Ø1/2	1/2 NPT	0.83	0.59	--	0.89	1.51	0.67	0.79	1.18	1	0.91	0.83

QR1-S-RIW standard series

- Swivel banjo connection 1-fold, with internal thread
- External thread
- 10-32 UNF 3/8 NPT 1/8 NPT 1/4 NPT 1/2 NPT
- push-in fitting
- 1/4 NPT Ø5/32 Ø1/2 Ø 3/8 Ø5/16 Ø1/4
- Internal thread
- QR1-S-RIW



Working pressure min./max.

-0.95 ... 10 bar

Ambient temperature min./max.

0 ... 60 °C

Weight per piece

See table below

Technical data

Part No.	Port G	Port D	Weight per piece
R432000078	10-32 UNF	1/4 NPT	0.009 kg
R432000086	10-32 UNF	Ø5/32	0.009 kg
R432000077	3/8 NPT	Ø1/2	0.03 kg
R432000082	3/8 NPT	Ø 3/8	0.03 kg
R432000085	3/8 NPT	Ø5/16	0.03 kg
R432000084	1/8 NPT	Ø5/16	0.023 kg
R432000087	1/8 NPT	Ø5/32	0.018 kg
R432000080	1/8 NPT	Ø1/4	0.023 kg
R432000079	1/4 NPT	Ø1/4	0.03 kg
R432000083	1/4 NPT	Ø5/16	0.03 kg
R432000081	1/4 NPT	Ø 3/8	0.041 kg
R432000076	1/2 NPT	Ø1/2	0.24 kg

Technical information

The series QR1 (plastic) and QR2 (metal) can not be combined

Thread seal with captive O-ring

These pneumatic components with NPT or inch thread dimensions are only available from our US sales organization.

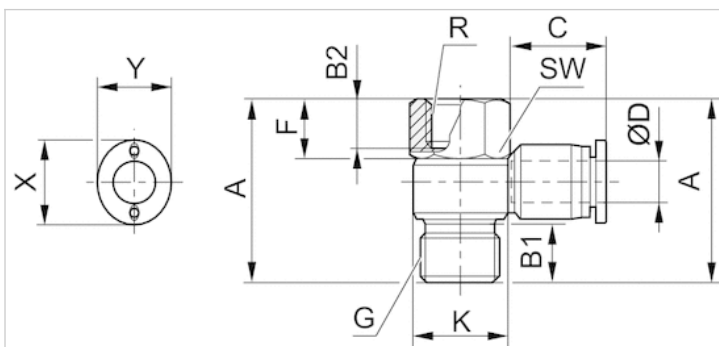
For further information about assembling and tolerances of adaptable tubing can be found in the "Technical information" document (available in the MediaCentre).

Technical information

Material	
Material	nickel-plated
Housing	Polybutyleneterephthalate
Seal	Acrylonitrile butadiene rubber
Tooth lock washer	Stainless steel
Release ring	Polyoxymethylene
Release ring holder	Die cast zinc Brass, nickel-plated
Thread	Brass, nickel-plated

Dimensions

Dimensions in inches



Dimensions in inches

Part No.	Port D	Port G	A	B1	B2	C	F	Ø K	SW	X	Y
R432000078	1/4 NPT	10-32 UNF	0.83	0.16	0.2	0.67	0.26	0.39	5/16	0.552	0.47
R432000086	Ø5/32	10-32 UNF	0.83	0.16	0.2	0.63	0.26	0.39	5/16	0.473	0.39
R432000077	Ø1/2	3/8 NPT	1.65	0.47	0.51	0.89	0.55	0.87	7/8	0.906	0.83
R432000082	Ø 3/8	3/8 NPT	1.65	0.47	0.51	0.83	0.55	0.87	7/8	0.749	0.67
R432000085	Ø5/16	3/8 NPT	1.65	0.47	0.51	0.73	0.53	0.87	7/8	0.63	0.52
R432000084	Ø5/16	1/8 NPT	1.2	0.32	0.36	0.73	0.37	0.57	9/16	0.63	0.55
R432000087	Ø5/32	1/8 NPT	0.89	0.2	0.24	0.63	0.28	0.39	9/16	0.473	0.39
R432000080	Ø1/4	1/8 NPT	1.42	0.43	0.47	0.67	0.45	0.57	9/16	0.552	0.47
R432000079	Ø1/4	1/4 NPT	1.42	0.43	0.47	0.67	0.45	0.73	11/16	0.552	0.47
R432000083	Ø5/16	1/4 NPT	1.42	0.43	0.47	0.73	0.45	0.73	11/16	0.63	0.55
R432000081	Ø 3/8	1/4 NPT	1.42	0.43	0.47	0.83	0.45	0.73	11/16	0.749	0.67
R432000076	Ø1/2	1/2 NPT	2.01	0.59	0.63	0.89	0.67	1.1	1	0.906	0.83

QR1-S-RID standard series

- Swivel banjo connection 2-fold, with internal thread
- External thread
- 10-32 UNF 3/8 NPT 1/8 NPT 1/4 NPT 1/2 NPT
- push-in fitting
- Ø5/32 Ø 3/8 Ø1/4 Ø5/16 Ø1/2
- Internal thread
- 10-32 UNF 3/8 NPT 1/4 NPT 1/2 NPT
- QR1-S-RID



Working pressure min./max. -0.95 ... 10 bar
 Ambient temperature min./max. 0 ... 60 °C
 Weight per piece See table below

Technical data

Part No.	Port G	Port D	Weight per piece
R432000075	10-32 UNF	Ø5/32	0.009 kg
R432000073	3/8 NPT	Ø 3/8	0.18 kg
R432000072	1/8 NPT	Ø1/4	0.027 kg
R432000074	1/4 NPT	Ø5/16	0.05 kg
R432000071	1/2 NPT	Ø1/2	0.29 kg

Technical information

The series QR1 (plastic) and QR2 (metal) can not be combined
 Thread seal with captive O-ring
 These pneumatic components with NPT or inch thread dimensions are only available from our US sales organization.
 For further information about assembling and tolerances of adaptable tubing can be found in the "Technical information" document (available in the MediaCentre).

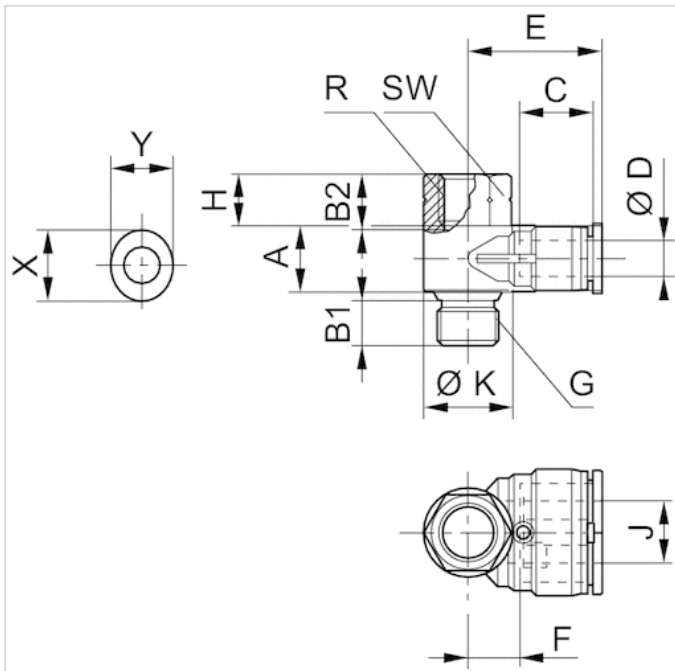
Technical information

Material	
Material	nickel-plated
Housing	Polybutyleneterephthalate
Seal	Acrylonitrile butadiene rubber
Tooth lock washer	Stainless steel

Material	
Release ring	Polyoxymethylene
Release ring holder	Die cast zinc Brass, nickel-plated
Thread	Brass, nickel-plated

Dimensions

Dimensions in inches



Dimensions in inches

Part No.	Port R	Port D	Port G	A	B1	B2	C	E	H	J	ØK	SW	X	Y
R432000075	10-32 UNF	Ø5/32	10-32 UNF	0.35	0.16	0.2	0.2	0.83	0.26	0.39	0.39	5/16	0.47	0.39
R432000073	3/8 NPT	Ø 3/8	3/8 NPT	0.83	0.47	0.63	0.63	1.51	0.67	0.79	1.18	7/8	0.75	0.67
R432000072	1/4 NPT	Ø1/4	1/8 NPT	0.59	0.32	0.47	0.47	1.19	0.45	0.55	0.79	9/16	0.55	0.47
R432000074	1/4 NPT	Ø5/16	1/4 NPT	0.71	0.43	0.51	0.51	1.35	0.53	0.67	0.91	11/16	0.63	0.55
R432000071	1/2 NPT	Ø1/2	1/2 NPT	0.83	0.59	0.63	0.63	1.51	0.67	0.79	1.18	1	0.91	0.83

QR1-S-RMG standard series

- Connector, 3x, reducing
- External thread
- 3/8 NPT 1/4 NPT
- push-in fitting
- Ø5/16 Ø1/4 Ø5/32
- push-in fitting
- Ø 3/8 Ø5/16
- QR1-S-RMG



Working pressure min./max.	-0.95 ... 10 bar
Ambient temperature min./max.	0 ... 60 °C
Weight per piece	See table below

Technical data

Part No.	Port G	Port D	Delivery unit	Weight per piece
R432000110	3/8 NPT	Ø5/16	10 piece	0.05 kg
R432000111	1/4 NPT	Ø1/4	10 piece	0.032 kg
R432000112	1/4 NPT	Ø5/32	10 piece	0.032 kg

Technical information

The series QR1 (plastic) and QR2 (metal) can not be combined

Thread seal with captive O-ring

These pneumatic components with NPT or inch thread dimensions are only available from our US sales organization.

For further information about assembling and tolerances of adaptable tubing can be found in the "Technical information" document (available in the MediaCentre).

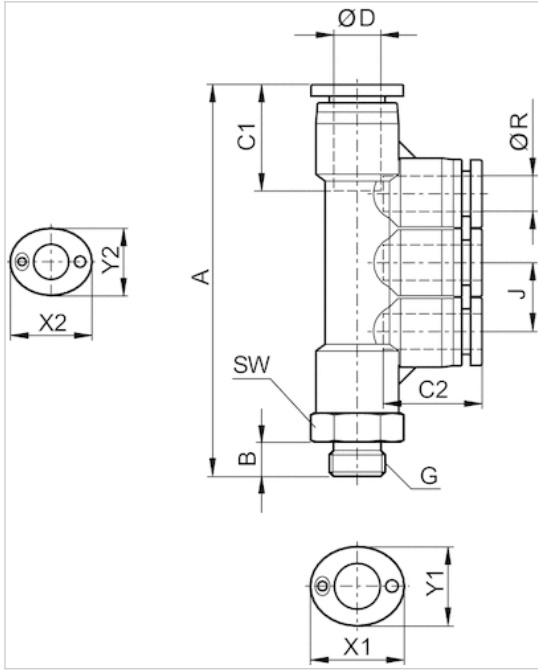
Technical information

Material	
Material	nickel-plated
Housing	Polybutyleneterephthalate
Seal	Acrylonitrile butadiene rubber
Tooth lock washer	Stainless steel
Release ring	Polyoxymethylene

Material	
Release ring holder	Die cast zinc Brass, nickel-plated
Thread	Brass, nickel-plated

Dimensions

Dimensions in inches



Dimensions in inches

Part No.	Port R	Port D	Port G	ØD2	A	B	C1	C2	J	SW	X1	Y1	X2	Y2
R432000110	Ø 3/8	Ø5/16	3/8 NPT	5/16	2.34	0.47	0.83	0.73	0.55	7/32	0.63	0.67	0.63	0.55
R432000111	Ø5/16	Ø1/4	1/4 NPT	5/16	2.7	0.43	0.73	0.67	0.47	9/16	0.63	0.55	0.55	0.47
R432000112	Ø5/16	Ø5/32	1/4 NPT	3/8	2.51	0.43	0.73	0.63	0.39	9/16	0.63	0.55	0.47	0.39

QR1-S-RTT standard series

- T-union
- External thread
- 10-32 UNF 3/8 NPT 1/8 NPT 1/4 NPT 1/2 NPT
- push-in fitting
- Ø1/4 Ø5/32 Ø1/2 Ø 3/8 Ø5/16
- QR1-S-RTT



Working pressure min./max. -0.95 ... 10 bar
 Ambient temperature min./max. 0 ... 60 °C
 Weight per piece See table below

Technical data

Part No.	Port G	Port D	Delivery unit	Weight per piece
R432000174	10-32 UNF	Ø1/4	10 piece	0.03 kg
R432000185	10-32 UNF	Ø5/32	10 piece	0.03 kg
R432000173	3/8 NPT	Ø1/2	10 piece	0.13 kg
R432000177	3/8 NPT	Ø1/4	10 piece	0.08 kg
R432000180	3/8 NPT	Ø 3/8	10 piece	0.1 kg
R432000184	3/8 NPT	Ø5/16	10 piece	0.08 kg
R432000188	3/8 NPT	Ø5/32	10 piece	0.07 kg
R432000176	1/8 NPT	Ø1/4	10 piece	0.04 kg
R432000183	1/8 NPT	Ø5/16	10 piece	0.04 kg
R432002639	1/8 NPT	Ø 3/8	10 piece	0.08 kg
R432000187	1/8 NPT	Ø5/32	10 piece	0.03 kg
R432000172	1/4 NPT	Ø1/2	10 piece	0.11 kg
R432000175	1/4 NPT	Ø1/4	10 piece	0.05 kg
R432000179	1/4 NPT	Ø 3/8	10 piece	0.09 kg
R432000182	1/4 NPT	Ø5/16	10 piece	0.06 kg
R432000186	1/4 NPT	Ø5/32	10 piece	0.04 kg
R432000171	1/2 NPT	Ø1/2	10 piece	0.15 kg
R432000178	1/2 NPT	Ø 3/8	10 piece	0.14 kg
R432000181	1/2 NPT	Ø5/16	10 piece	0.09 kg

Technical information

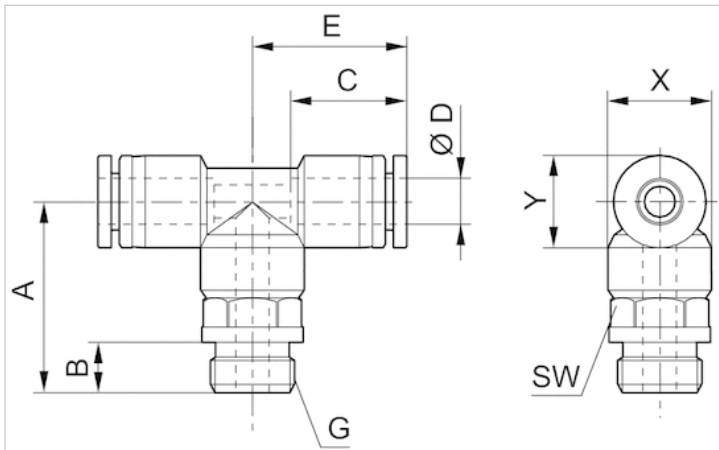
The series QR1 (plastic) and QR2 (metal) can not be combined
 Thread seal with captive O-ring
 These pneumatic components with NPT or inch thread dimensions are only available from our US sales organization.
 For further information about assembling and tolerances of adaptable tubing can be found in the "Technical information" document (available in the MediaCentre).

Technical information

Material	
Material	nickel-plated
Housing	Polybutyleneterephthalate
Seal	Acrylonitrile butadiene rubber
Tooth lock washer	Stainless steel
Release ring	Polyoxymethylene
Release ring holder	Die cast zinc Brass, nickel-plated
Thread	Brass, nickel-plated

Dimensions

Dimensions in inches



Dimensions in inches

Part No.	Port D	Port G	A	B	C	E	SW	X	Y
R432000174	Ø1/4	10-32 UNF	0.91	0.22	0.67	0.81	1/2	0.55	0.47
R432000185	Ø5/32	10-32 UNF	0.87	0.22	0.63	0.71	7/16	0.47	0.39
R432000173	Ø1/2	3/8 NPT	1.5	0.47	0.89	1.15	7/8	0.91	0.83
R432000177	Ø1/4	3/8 NPT	1.23	0.47	0.67	0.81	11/16	0.55	0.47
R432000180	Ø 3/8	3/8 NPT	1.42	0.47	0.83	1.03	11/16	0.75	0.67
R432000184	Ø5/16	3/8 NPT	1.26	0.47	0.73	0.89	11/16	0.63	0.55
R432000188	Ø5/32	3/8 NPT	1.13	0.47	0.63	0.71	11/16	0.47	0.39
R432000176	Ø1/4	1/8 NPT	0.99	0.32	0.67	0.81	1/2	0.55	0.47
R432000183	Ø5/16	1/8 NPT	1.06	0.32	0.73	0.89	9/16	0.63	0.55
R432002639	Ø 3/8	1/8 NPT	1.26	0.32	0.83	1.03	11/16	0.75	0.67
R432000187	Ø5/32	1/8 NPT	0.97	0.32	0.63	0.71	7/16	0.47	0.39

Part No.	Port D	Port G	A	B	C	E	SW	X	Y
R432000172	Ø1/2	1/4 NPT	1.46	0.43	0.89	1.15	7/8	0.91	0.83
R432000175	Ø1/4	1/4 NPT	1.15	0.43	0.67	0.81	9/16	0.55	0.47
R432000179	Ø 3/8	1/4 NPT	1.38	0.43	0.83	1.03	11/16	0.75	0.67
R432000182	Ø5/16	1/4 NPT	1.22	0.43	0.73	0.89	9/16	0.63	0.55
R432000186	Ø5/32	1/4 NPT	1.09	0.43	0.63	0.71	9/16	0.47	0.39
R432000171	Ø1/2	1/2 NPT	1.62	0.59	0.89	1.15	7/8	0.91	0.83
R432000178	Ø 3/8	1/2 NPT	1.54	0.59	0.83	1.03	7/8	0.75	0.67
R432000181	Ø5/16	1/2 NPT	1.43	0.59	0.73	0.89	7/8	0.63	0.55

QR1-S-RLT standard series

- Elbow fitting
- External thread
- 10-32 UNF 3/8 NPT 1/8 NPT 1/4 NPT 1/2 NPT
- push-in fitting
- Ø1/4 Ø5/32 Ø1/2 Ø5/16 Ø 3/8
- QR1-S-RLT



Working pressure min./max. -0.95 ... 10 bar
 Ambient temperature min./max. 0 ... 60 °C
 Weight per piece See table below

Technical data

Part No.	Port G	Port D	Weight per piece
R432000096	10-32 UNF	Ø1/4	0.014 kg
R432000107	10-32 UNF	Ø5/32	0.014 kg
R432000099	3/8 NPT	Ø1/4	0.03 kg
R432000095	3/8 NPT	Ø1/2	0.059 kg
R432000106	3/8 NPT	Ø5/16	0.03 kg
R432000102	3/8 NPT	Ø 3/8	0.05 kg
R432000109	1/8 NPT	Ø5/32	0.014 kg
R432000104	1/8 NPT	Ø5/16	0.018 kg
R432000098	1/8 NPT	Ø1/4	0.018 kg
R432000108	1/4 NPT	Ø5/32	0.018 kg
R432000105	1/4 NPT	Ø5/16	0.027 kg
R432000101	1/4 NPT	Ø 3/8	0.041 kg
R432000097	1/4 NPT	Ø1/4	0.023 kg
R432000094	1/4 NPT	Ø1/2	0.05 kg
R432000103	1/2 NPT	Ø5/16	0.05 kg
R432000093	1/2 NPT	Ø1/2	0.03 kg
R432000100	1/2 NPT	Ø 3/8	0.03 kg

Technical information

The series QR1 (plastic) and QR2 (metal) can not be combined

Thread seal with captive O-ring

These pneumatic components with NPT or inch thread dimensions are only available from our US sales organization.

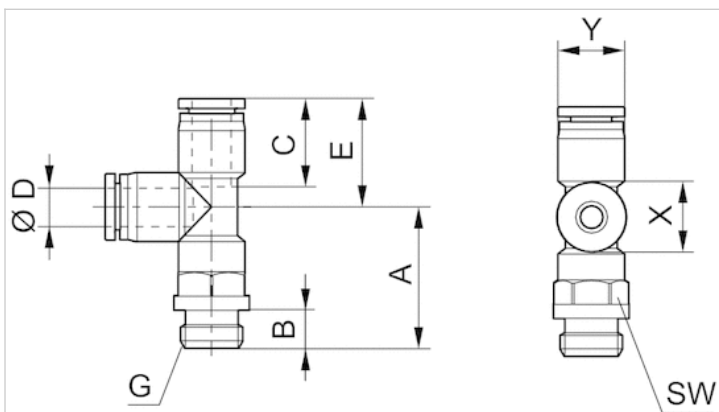
For further information about assembling and tolerances of adaptable tubing can be found in the "Technical information" document (available in the MediaCentre).

Technical information

Material	
Material	nickel-plated
Housing	Polybutyleneterephthalate
Seal	Acrylonitrile butadiene rubber
Tooth lock washer	Stainless steel
Release ring	Polyoxymethylene
Release ring holder	Die cast zinc Brass, nickel-plated
Thread	Brass, nickel-plated

Dimensions

Dimensions in inches



Dimensions

Part No.	Port D	Port G	A	B	C	E	SW	X	Y
R432000096	Ø1/4	10-32 UNF	0.91	0.22	0.67	0.81	1/2 "	0.55	0.47
R432000107	Ø5/32	10-32 UNF	0.87	0.22	0.63	0.71	7/16 "	0.47	0.39
R432000099	Ø1/4	3/8 NPT	1.22	0.47	0.67	0.81	11/16 "	0.55	0.47
R432000095	Ø1/2	3/8 NPT	1.47	0.47	0.89	1.14	7/8 "	0.91	0.83
R432000106	Ø5/16	3/8 NPT	1.2	0.47	0.73	0.89	11/16 "	0.63	0.55
R432000102	Ø 3/8	3/8 NPT	1.42	0.47	0.83	1.03	11/16 "	0.75	0.67
R432000109	Ø5/32	1/8 NPT	0.97	0.32	0.63	0.71	7/16 "	0.47	0.39
R432000104	Ø5/16	1/8 NPT	1	0.32	0.73	0.89	9/16 "	0.63	0.55
R432000098	Ø1/4	1/8 NPT	0.99	0.32	0.67	0.81	1/2 "	0.55	0.47
R432000108	Ø5/32	1/4 NPT	1.09	0.43	0.63	0.71	9/16 "	0.47	0.39
R432000105	Ø5/16	1/4 NPT	1.16	0.43	0.73	0.89	9/16 "	0.63	0.55
R432000101	Ø 3/8	1/4 NPT	1.38	0.43	0.83	1.03	11/16 "	0.75	0.67
R432000097	Ø1/4	1/4 NPT	1.14	0.43	0.67	0.81	9/16 "	0.55	0.47
R432000094	Ø1/2	1/4 NPT	1.46	0.43	0.89	1.14	7/8 "	0.91	0.83

Part No.	Port D	Port G	A	B	C	E	SW	X	Y
R432000103	Ø5/16	1/2 NPT	1.36	0.59	0.73	0.89	20 "	0.63	0.55
R432000093	Ø1/2	1/2 NPT	1.62	0.59	0.89	1.14	7/8 "	0.91	0.83
R432000100	Ø 3/8	1/2 NPT	1.54	0.59	0.83	1.03	7/8 "	0.75	0.67

QR1-S-RAY standard series

- Y-fitting
- External thread
- 10-32 UNF 3/8 NPT 1/8 NPT 1/4 NPT 1/2 NPT
- push-in fitting
- Ø5/32 Ø1/4 Ø1/2 Ø5/16 Ø 3/8
- QR1-S-RAY



Working pressure min./max.	-0.95 ... 10 bar
Ambient temperature min./max.	0 ... 60 °C
Weight per piece	See table below

Technical data

Part No.	Port G	Port D	Delivery unit	Weight per piece
R432000473	10-32 UNF	Ø5/32	10 piece	0.422 kg
R432000476	10-32 UNF	Ø1/4	10 piece	0.503 kg
R432000479	3/8 NPT	Ø1/4	10 piece	1.27 kg
R432000489	3/8 NPT	Ø1/2	10 piece	2.05 kg
R432000482	3/8 NPT	Ø5/16	10 piece	1.26 kg
R432000486	3/8 NPT	Ø 3/8	10 piece	1.74 kg
R432000474	1/8 NPT	Ø5/32	10 piece	0.496 kg
R432000477	1/8 NPT	Ø1/4	10 piece	0.577 kg
R432000480	1/8 NPT	Ø5/16	10 piece	0.732 kg
R432000484	1/8 NPT	Ø 3/8	10 piece	0.5 kg
R432000475	1/4 NPT	Ø5/32	10 piece	0.708 kg
R432000478	1/4 NPT	Ø1/4	10 piece	0.852 kg
R432000488	1/4 NPT	Ø1/2	10 piece	1.95 kg
R432000481	1/4 NPT	Ø5/16	10 piece	0.989 kg
R432000485	1/4 NPT	Ø 3/8	10 piece	0.366 kg
R432000483	1/2 NPT	Ø5/16	10 piece	1.77 kg
R432000487	1/2 NPT	Ø 3/8	10 piece	2.24 kg
R432000490	1/2 NPT	Ø1/2	10 piece	2.48 kg

Technical information

The series QR1 (plastic) and QR2 (metal) can not be combined

Thread seal with captive O-ring

These pneumatic components with NPT or inch thread dimensions are only available from our US sales organization.

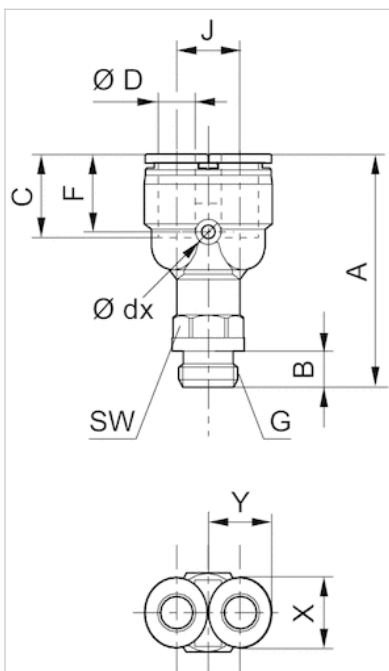
For further information about assembling and tolerances of adaptable tubing can be found in the “Technical information” document (available in the MediaCentre).

Technical information

Material	
Material	nickel-plated
Housing	Polybutyleneterephthalate
Seal	Acrylonitrile butadiene rubber
Tooth lock washer	Stainless steel
Release ring	Polyoxymethylene
Release ring holder	Die cast zinc Brass, nickel-plated
Thread	Brass, nickel-plated

Dimensions

Dimensions in inches



Dimensions in inches

Part No.	Port D	Port G	A	B	C	SW	J	X	Y
R432000473	Ø5/32	10-32 UNF	1.56	0.22	0.63	7/16	0.38	0.39	0.47
R432000476	Ø1/4	10-32 UNF	1.64	0.22	0.67	1/2	0.47	0.47	0.55
R432000479	Ø1/4	3/8 NPT	1.96	0.47	0.67	11/16	0.47	0.47	0.55
R432000489	Ø1/2	3/8 NPT	2.43	0.47	0.89	7/8	0.82	0.83	0.91
R432000482	Ø5/16	3/8 NPT	2.08	0.43	0.73	11/16	0.55	0.55	0.63
R432000486	Ø 3/8	3/8 NPT	2.33	0.47	0.83	11/16	0.71	0.67	0.75
R432000474	Ø5/32	1/8 NPT	1.66	0.32	0.63	7/16	0.38	0.39	0.47
R432000477	Ø1/4	1/8 NPT	1.72	0.32	0.67	1/2	0.47	0.47	0.55

Part No.	Port D	Port G	A	B	C	SW	J	X	Y
R432000480	Ø5/16	1/8 NPT	1.88	0.22	0.73	9/16	0.55	0.55	0.63
R432000484	Ø 3/8	1/8 NPT	2.17	0.32	0.83	11/16	0.71	0.67	0.75
R432000475	Ø5/32	1/4 NPT	1.77	0.43	0.63	9/16	0.38	0.39	0.47
R432000478	Ø1/4	1/4 NPT	1.88	0.43	0.67	9/16	0.47	0.47	0.55
R432000488	Ø1/2	1/4 NPT	2.39	0.43	0.89	7/8	0.82	0.83	0.91
R432000481	Ø5/16	1/4 NPT	2.04	0.32	0.73	9/16	0.55	0.55	0.63
R432000485	Ø 3/8	1/4 NPT	2.29	0.43	0.83	11/16	0.71	0.67	0.75
R432000483	Ø5/16	1/2 NPT	2.23	0.47	0.73	7/8	0.55	0.55	0.63
R432000487	Ø 3/8	1/2 NPT	2.45	0.59	0.83	7/8	0.71	0.67	0.75
R432000490	Ø1/2	1/2 NPT	2.55	0.59	0.89	7/8	0.82	0.83	0.91

QR1-S-RSK standard series

- Straight plug connector
- push-in fitting
- Ø5/32 Ø5/16 Ø 3/8 Ø1/4 Ø1/2
- push-in fitting
- Ø5/32 Ø5/16 Ø 3/8 Ø1/4 Ø1/2
- QR1-S-RSK



Working pressure min./max.	-0.95 ... 10 bar
Ambient temperature min./max.	0 ... 60 °C
Weight per piece	See table below

Technical data

Part No.	Port G	Port D	Delivery unit	Weight per piece
R432000154	Ø5/32	Ø5/32	10 piece	0.005 kg
R432000153	Ø5/16	Ø5/16	10 piece	0.009 kg
R432000152	Ø 3/8	Ø 3/8	10 piece	0.014 kg
R432000151	Ø1/4	Ø1/4	10 piece	0.005 kg
R432000150	Ø1/2	Ø1/2	10 piece	0.018 kg

Technical information

The series QR1 (plastic) and QR2 (metal) can not be combined

These pneumatic components with NPT or inch thread dimensions are only available from our US sales organization.

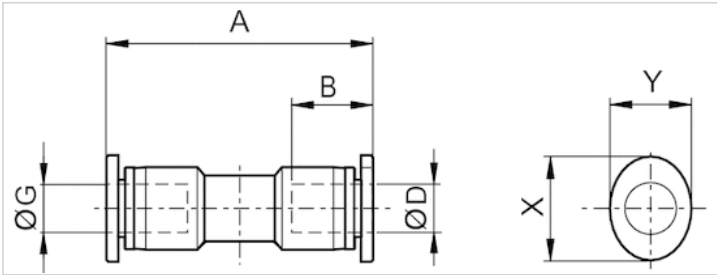
For further information about assembling and tolerances of adaptable tubing can be found in the "Technical information" document (available in the MediaCentre).

Technical information

Material	
Material	nickel-plated
Housing	Polybutyleneterephthalate
Seal	Acrylonitrile butadiene rubber
Tooth lock washer	Stainless steel
Release ring	Polyoxymethylene
Release ring holder	Die cast zinc Brass, nickel-plated

Dimensions

Dimensions in inches



Dimensions in inches

Part No.	Port D	Port G	A	B	X	Y
R432000154	Ø5/32	Ø5/32	1.27	0.63	0.47	0.4
R432000153	Ø5/16	Ø5/16	1.54	0.73	0.63	0.55
R432000152	Ø 3/8	Ø 3/8	1.67	0.83	0.75	0.67
R432000151	Ø1/4	Ø1/4	1.4	0.67	0.552	0.47
R432000150	Ø1/2	Ø1/2	1.85	0.89	0.91	0.83

QR1-S-RSR standard series

- Straight plug connector, reducing
- push-in fitting
- Ø5/32 Ø5/16 Ø1/4 Ø1/2
- push-in fitting
- Ø1/4 Ø 3/8 Ø5/16
- QR1-S-RSR



Working pressure min./max.	-0.95 ... 10 bar
Ambient temperature min./max.	0 ... 60 °C
Weight per piece	See table below

Technical data

Part No.	Port G	Port D	Delivery unit	Weight per piece
R432000162	Ø5/32	Ø1/4	10 piece	0.005 kg
R432000163	Ø5/16	Ø 3/8	10 piece	0.009 kg
R432000164	Ø1/4	Ø5/16	10 piece	0.005 kg
R432000161	Ø1/4	Ø 3/8	10 piece	0.032 kg
R432000160	Ø1/2	Ø 3/8	10 piece	0.018 kg

Technical information

The series QR1 (plastic) and QR2 (metal) can not be combined

These pneumatic components with NPT or inch thread dimensions are only available from our US sales organization.

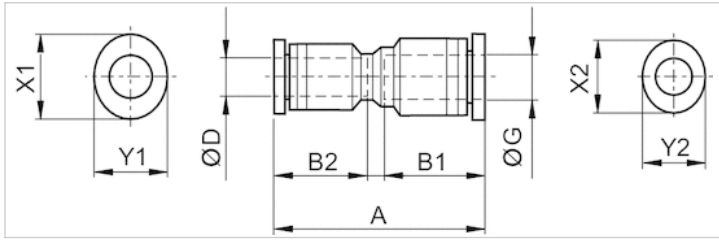
For further information about assembling and tolerances of adaptable tubing can be found in the "Technical information" document (available in the MediaCentre).

Technical information

Material	
Material	nickel-plated
Housing	Polybutyleneterephthalate
Seal	Acrylonitrile butadiene rubber
Tooth lock washer	Stainless steel
Release ring	Polyoxymethylene
Release ring holder	Die cast zinc Brass, nickel-plated

Dimensions

Dimensions in inches



Dimensions in inches

Part No.	Port D	Port G	A	B1	B2	X1	Y1	X2	Y2
R432000162	Ø1/4	Ø5/32	1.41	0.71	0.63	0.552	0.473	0.473	0.39
R432000163	Ø 3/8	Ø5/16	1.68	0.83	0.73	0.749	0.67	0.63	0.55
R432000164	Ø5/16	Ø1/4	1.53	0.73	0.67	0.63	0.552	0.552	0.47
R432000161	Ø 3/8	Ø1/4	1.69	0.83	0.76	0.749	0.552	0.552	0.47
R432000160	Ø 3/8	Ø1/2	1.83	0.88	0.83	0.906	0.827	0.749	0.67

QR1-S-RSM standard series

- Bulkhead push-in fitting, metal
- push-in fitting
- Ø5/32 Ø5/16 Ø3/16 Ø 3/8 Ø1/4 Ø1/2
- push-in fitting
- Ø5/32 Ø5/16 Ø3/16 Ø 3/8 Ø1/4 Ø1/2
- QR1-S-RSM



Working pressure min./max.	-0.95 ... 10 bar
Ambient temperature min./max.	0 ... 60 °C
Weight per piece	See table below

Technical data

Part No.	Port G	Port D	Delivery unit	Weight per piece
R432000159	Ø5/32	Ø5/32	10 piece	0.018 kg
R432000158	Ø5/16	Ø5/16	10 piece	0.032 kg
R432030411	Ø3/16	Ø3/16	10 piece	0.027 kg
R432000157	Ø 3/8	Ø 3/8	10 piece	0.04 kg
R432000156	Ø1/4	Ø1/4	10 piece	0.027 kg
R432000155	Ø1/2	Ø1/2	10 piece	0.032 kg

Technical information

The series QR1 (plastic) and QR2 (metal) can not be combined

These pneumatic components with NPT or inch thread dimensions are only available from our US sales organization.

For further information about assembling and tolerances of adaptable tubing can be found in the "Technical information" document (available in the MediaCentre).

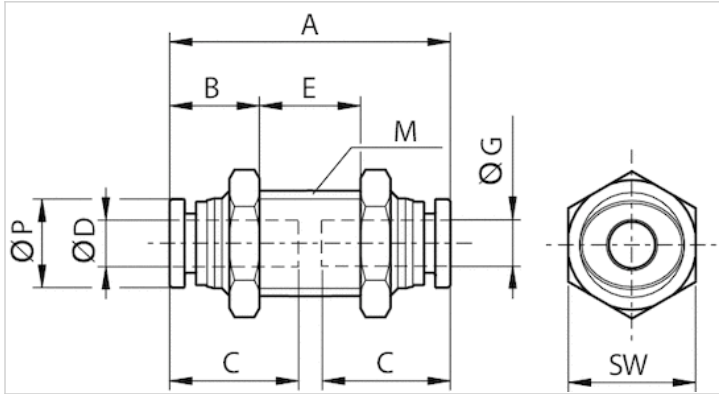
Technical information

Material	
Material	nickel-plated
Housing	Brass, nickel-plated
Seal	Acrylonitrile butadiene rubber
Tooth lock washer	Stainless steel
Release ring	Polyoxymethylene

Material	
Release ring holder	Die cast zinc Brass, nickel-plated
Thread	Brass, nickel-plated

Dimensions

Dimensions in inches



Dimensions in inches

Part No.	Port D	Port G	M	A	B	C	E	SW	Ø P
R432000159	Ø5/32	Ø5/32	1/2 UNF	1.27	0.74	0.63	0.34	9/16	0.39
R432000158	Ø5/16	Ø5/16	5/8 UNF	1.51	0.57	0.73	0.37	3/4	0.55
R432030411	Ø3/16	Ø3/16	9/16 UNF	1.39	0.48	0.67	0.43	11/16	0.41
R432000157	Ø 3/8	Ø 3/8	7/8 UNF	1.71	0.65	0.83	0.41	1	0.67
R432000156	Ø1/4	Ø1/4	9/16 UNF	1.41	0.51	0.67	0.39	11/16	0.47
R432000155	Ø1/2	Ø1/2	7/8 UNF	1.89	0.62	0.89	0.66	1	0.8

QR1-S-RVK standard series

- Angled plug connector
- push-in fitting
- Ø5/32 Ø5/16 Ø 3/8 Ø1/4 Ø1/2
- push-in fitting
- Ø5/32 Ø5/16 Ø 3/8 Ø1/4 Ø1/2
- QR1-S-RVK



Working pressure min./max.	-0.95 ... 10 bar
Ambient temperature min./max.	0 ... 60 °C
Weight per piece	See table below

Technical data

Part No.	Port G	Port D	Delivery unit	Weight per piece
R432000211	Ø5/32	Ø5/32	10 piece	0.005 kg
R432000210	Ø5/16	Ø5/16	10 piece	0.009 kg
R432000209	Ø 3/8	Ø 3/8	10 piece	0.014 kg
R432000208	Ø1/4	Ø1/4	10 piece	0.005 kg
R432000207	Ø1/2	Ø1/2	10 piece	0.018 kg

Technical information

The series QR1 (plastic) and QR2 (metal) can not be combined
 These pneumatic components with NPT or inch thread dimensions are only available from our US sales organization.

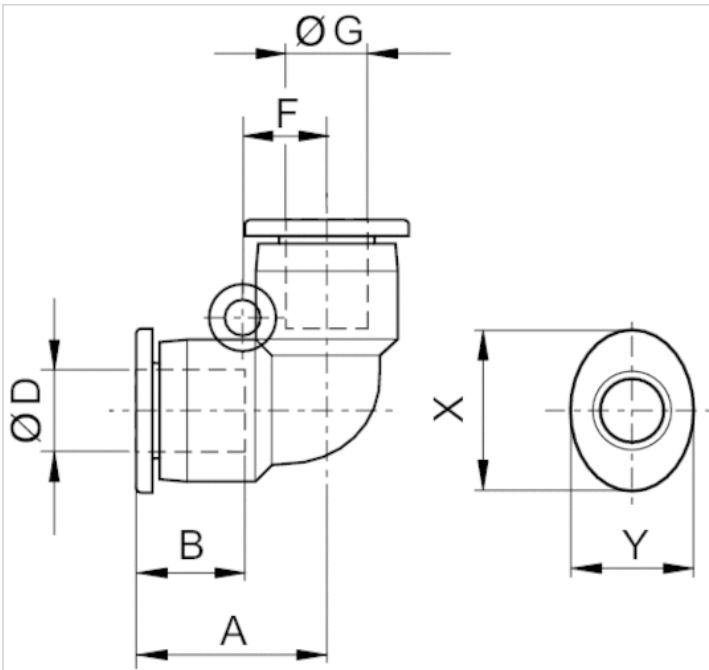
For further information about assembling and tolerances of adaptable tubing can be found in the "Technical information" document (available in the MediaCentre).

Technical information

Material	
Material	nickel-plated
Housing	Polybutyleneterephthalate
Seal	Acrylonitrile butadiene rubber
Tooth lock washer	Stainless steel
Release ring	Polyoxymethylene
Release ring holder	Die cast zinc Brass, nickel-plated

Dimensions

Dimensions in inches



Dimensions in inches

Part No.	Port D	Port G	A	B	F	X	Y
R432000211	Ø5/32	Ø5/32	29	22.5	14	23	21
R432000210	Ø5/16	Ø5/16	26.1	21	12	19	17
R432000209	Ø 3/8	Ø 3/8	22.8	18.5	10	16	14
R432000208	Ø1/4	Ø1/4	20.4	17	8	14	12
R432000207	Ø1/2	Ø1/2	18.7	16	6	12	10

QR1-S-RMT standard series

- Plug connector, 3x, reducing
- push-in fitting
- Ø5/32 Ø5/16 Ø1/4
- push-in fitting
- Ø5/16 Ø 3/8
- QR1-S-RMT



Working pressure min./max.	-0.95 ... 10 bar
Ambient temperature min./max.	0 ... 60 °C
Weight per piece	See table below

Technical data

Part No.	Port G	Port D	Delivery unit	Weight per piece
R432000121	Ø5/32	Ø5/16	10 piece	0.018 kg
R432000118	Ø5/16	Ø 3/8	10 piece	0.032 kg
R432000119	Ø1/4	Ø5/16	10 piece	0.018 kg
R432000122	Ø1/4	Ø 3/8	10 piece	0.027 kg

Technical information

The series QR1 (plastic) and QR2 (metal) can not be combined

These pneumatic components with NPT or inch thread dimensions are only available from our US sales organization.

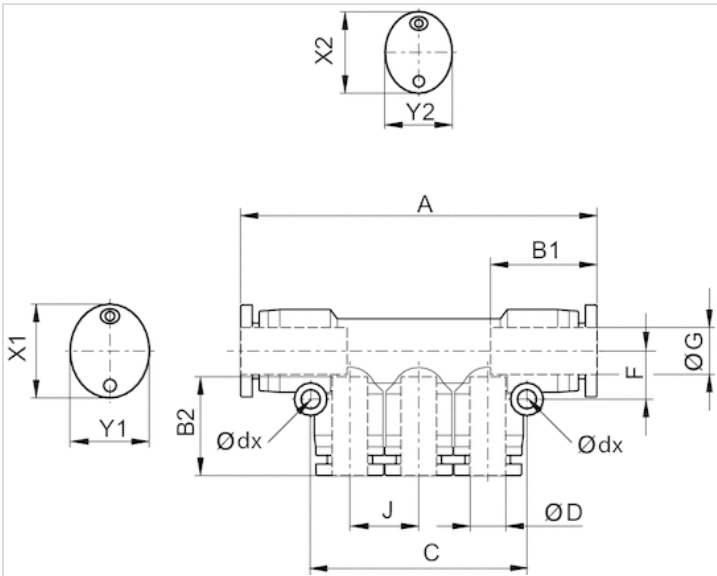
For further information about assembling and tolerances of adaptable tubing can be found in the "Technical information" document (available in the MediaCentre).

Technical information

Material	
Material	nickel-plated
Housing	Polybutyleneterephthalate
Seal	Acrylonitrile butadiene rubber
Tooth lock washer	Stainless steel
Release ring	Polyoxymethylene
Release ring holder	Die cast zinc Brass, nickel-plated

Dimensions

Dimensions in inches



Dimensions in inches

Part No.	Port D	Port G	A	B1	B2	J	X1	Y1	X2	Y2
R432000121	Ø5/16	Ø5/32	2.44	0.73	0.63	0.39	0.63	0.55	0.47	0.39
R432000118	Ø 3/8	Ø5/16	3.36	0.83	0.73	0.55	0.75	0.67	0.63	0.55
R432000119	Ø5/16	Ø1/4	3.12	0.73	0.67	0.47	0.63	0.55	0.55	0.47
R432000122	Ø 3/8	Ø1/4	3.36	0.83	0.67	0.47	0.75	0.67	0.55	0.47

QR1-S-RTK standard series

- T-plug connector
- push-in fitting
- Ø5/32 Ø5/16 Ø1/4 Ø 3/8 Ø1/2
- push-in fitting
- Ø5/32 Ø5/16 Ø1/4 Ø 3/8 Ø1/2
- QR1-S-RTK



Working pressure min./max.	-0.95 ... 10 bar
Ambient temperature min./max.	0 ... 60 °C
Weight per piece	See table below

Technical data

Part No.	Port G	Port D	Delivery unit	Weight per piece
R432000170	Ø5/32	Ø5/32	10 piece	0.009 kg
R432000169	Ø5/16	Ø5/16	10 piece	0.014 kg
R432000167	Ø1/4	Ø1/4	10 piece	0.009 kg
R432000168	Ø 3/8	Ø 3/8	10 piece	0.023 kg
R432000166	Ø1/2	Ø1/2	10 piece	0.032 kg

Technical information

The series QR1 (plastic) and QR2 (metal) can not be combined
 These pneumatic components with NPT or inch thread dimensions are only available from our US sales organization.

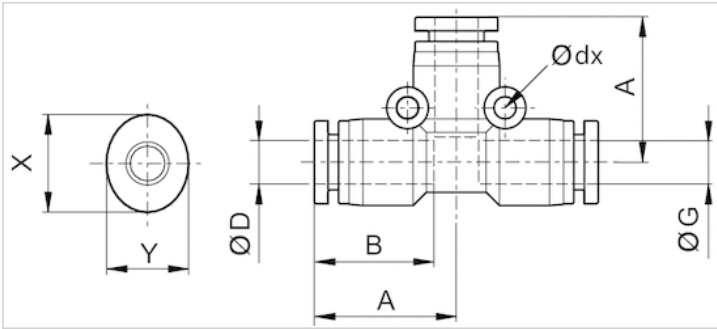
For further information about assembling and tolerances of adaptable tubing can be found in the "Technical information" document (available in the MediaCentre).

Technical information

Material	
Material	nickel-plated
Housing	Polybutyleneterephthalate
Seal	Acrylonitrile butadiene rubber
Tooth lock washer	Stainless steel
Release ring	Polyoxymethylene
Release ring holder	Die cast zinc Brass, nickel-plated

Dimensions

Dimensions in inches



Dimensions in inches

Part No.	Port D	Port G	A	B	X	Y
R432000170	Ø5/32	Ø5/32	0.71	0.63	0.47	0.39
R432000169	Ø5/16	Ø5/16	0.89	0.73	0.63	0.55
R432000167	Ø1/4	Ø1/4	0.81	0.67	0.55	0.47
R432000168	Ø 3/8	Ø 3/8	1.03	0.83	0.75	0.67
R432000166	Ø1/2	Ø1/2	1.15	0.89	0.91	0.83

QR1-S-RTR standard series

- T-plug connector, reducing
- push-in fitting
- Ø1/4 Ø5/16 Ø 3/8 Ø1/2
- push-in fitting
- Ø5/32 Ø5/16 Ø 3/8 Ø1/4
- QR1-S-RTR



Working pressure min./max.	-0.95 ... 10 bar
Ambient temperature min./max.	0 ... 60 °C
Weight per piece	See table below

Technical data

Part No.	Port G	Port D	Delivery unit	Weight per piece
R432003253	Ø1/4	Ø5/32	10 piece	0.009 kg
R432003254	Ø5/16	Ø5/32	10 piece	0.014 kg
R432003257	Ø 3/8	Ø5/16	10 piece	0.018 kg
R432003259	Ø1/2	Ø 3/8	10 piece	0.027 kg
R432003256	Ø 3/8	Ø1/4	10 piece	0.032 kg

Technical information

The series QR1 (plastic) and QR2 (metal) can not be combined
 These pneumatic components with NPT or inch thread dimensions are only available from our US sales organization.

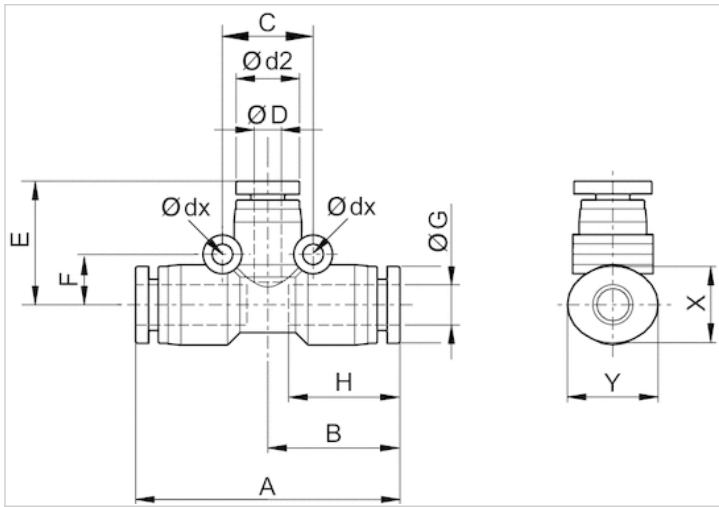
For further information about assembling and tolerances of adaptable tubing can be found in the "Technical information" document (available in the MediaCentre).

Technical information

Material	
Material	nickel-plated
Housing	Polybutyleneterephthalate
Seal	Acrylonitrile butadiene rubber
Tooth lock washer	Stainless steel
Release ring	Polyoxymethylene
Release ring holder	Die cast zinc Brass, nickel-plated

Dimensions

Dimensions in inches



Dimensions in inches

Part No.	Port D	Port G	d2	A	B	H	E	X	Y
R432003253	Ø5/32	Ø1/4	0.41	1.6	0.8	0.67	0.75	0.47	0.55
R432003254	Ø5/32	Ø5/16	0.41	1.79	0.89	0.73	0.83	0.55	0.63
R432003257	Ø5/16	Ø 3/8	0.57	2.05	1.03	0.83	0.92	0.67	0.75
R432003259	Ø 3/8	Ø1/2	0.69	2.3	1.15	0.89	1.07	0.83	0.9
R432003256	Ø1/4	Ø 3/8	0.49	2.05	1.03	0.83	1	0.67	0.75

QR1-S-RYK standard series

- Y-Plug connector, reducing, double
- push-in fitting
- Ø1/2 Ø1/4 Ø 3/8 Ø5/16 Ø5/32
- push-in fitting
- Ø1/2 Ø1/4 Ø 3/8 Ø5/16 Ø5/32
- QR1-S-RYK



Working pressure min./max.	-0.95 ... 10 bar
Ambient temperature min./max.	0 ... 60 °C
Weight per piece	See table below

Technical data

Part No.	Port G	Port D	Delivery unit	Weight per piece
R432000266	Ø1/2	Ø1/2	10 piece	0.027 kg
R432000267	Ø1/4	Ø1/4	10 piece	0.009 kg
R432000268	Ø 3/8	Ø 3/8	10 piece	0.027 kg
R432000269	Ø5/16	Ø5/16	10 piece	0.014 kg
R432000270	Ø5/32	Ø5/32	10 piece	0.009 kg

Technical information

The series QR1 (plastic) and QR2 (metal) can not be combined
 These pneumatic components with NPT or inch thread dimensions are only available from our US sales organization.

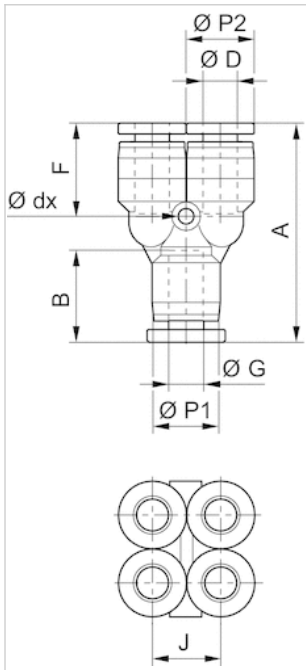
For further information about assembling and tolerances of adaptable tubing can be found in the "Technical information" document (available in the MediaCentre).

Technical information

Material	
Material	nickel-plated
Housing	Polybutyleneterephthalate
Seal	Acrylonitrile butadiene rubber
Tooth lock washer	Stainless steel
Release ring	Polyoxymethylene
Release ring holder	Die cast zinc Brass, nickel-plated

Dimensions

Dimensions in inches



Dimensions in inches

Part No.	Port D	Port G	A	B	J	X	Y
R432000266	$\text{Ø}1/2$	$\text{Ø}1/2$	2.09	0.89	0.82	0.91	0.83
R432000267	$\text{Ø}1/4$	$\text{Ø}1/4$	1.55	0.67	0.47	0.55	0.47
R432000268	$\text{Ø} 3/8$	$\text{Ø} 3/8$	1.99	0.83	0.71	0.75	0.67
R432000269	$\text{Ø}5/16$	$\text{Ø}5/16$	1.79	0.73	0.55	0.63	0.55
R432000270	$\text{Ø}5/32$	$\text{Ø}5/32$	1.37	0.63	0.38	0.47	0.39

QR1-S-RYR standard series

- Y-Plug connector, reducing
- push-in fitting
- Ø1/4 Ø 3/8 Ø1/2 Ø5/16
- push-in fitting
- Ø5/32 Ø5/16 Ø 3/8 Ø1/4
- QR1-S-RYR



Working pressure min./max.	-0.95 ... 10 bar
Ambient temperature min./max.	0 ... 60 °C
Weight per piece	See table below

Technical data

Part No.	Port G	Port D	Delivery unit	Weight per piece
R432000273	Ø1/4	Ø5/32	10 piece	0.014 kg
R432000276	Ø 3/8	Ø5/16	10 piece	0.018 kg
R432000271	Ø1/2	Ø 3/8	10 piece	0.027 kg
R432000272	Ø5/16	Ø1/4	10 piece	0.009 kg
R432000274	Ø 3/8	Ø1/4	10 piece	0.032 kg

Technical information

The series QR1 (plastic) and QR2 (metal) can not be combined

These pneumatic components with NPT or inch thread dimensions are only available from our US sales organization.

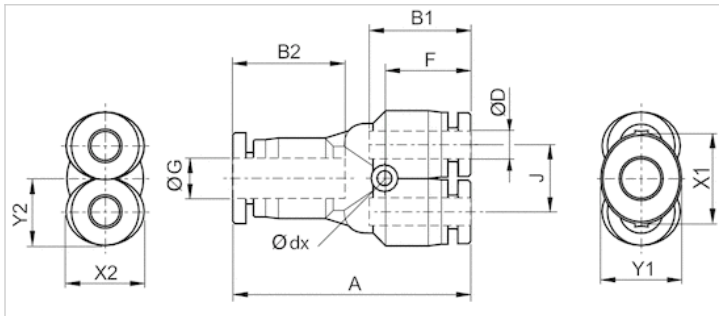
For further information about assembling and tolerances of adaptable tubing can be found in the "Technical information" document (available in the MediaCentre).

Technical information

Material	
Material	nickel-plated
Housing	Polybutyleneterephthalate
Seal	Acrylonitrile butadiene rubber
Tooth lock washer	Stainless steel
Release ring	Polyoxymethylene
Release ring holder	Die cast zinc Brass, nickel-plated

Dimensions

Dimensions in inches



Dimensions in inches

Part No.	Port D	Port G	A	B1	B2	J	X1	X2	Y1	Y2
R432000273	Ø5/32	Ø1/4	1.45	0.67	0.67	0.42	0.55	0.47	0.47	0.39
R432000276	Ø5/16	Ø 3/8	1.95	0.73	0.83	0.55	0.75	0.63	0.67	0.55
R432000271	Ø 3/8	Ø1/2	2.12	0.83	0.89	0.71	0.91	0.75	0.83	0.67
R432000272	Ø1/4	Ø5/16	1.6	0.67	0.73	0.47	0.63	0.55	0.55	0.47
R432000274	Ø1/4	Ø 3/8	1.95	0.69	0.76	0.71	0.75	0.55	0.67	0.47

QR1-S-RXS standard series

- X-Plug connection
- push-in fitting
- Ø5/32 Ø5/16 Ø 3/8 Ø1/4 Ø1/2
- push-in fitting
- Ø5/32 Ø5/16 Ø 3/8 Ø1/4 Ø1/2
- QR1-S-RXS



Working pressure min./max.	-0.95 ... 10 bar
Ambient temperature min./max.	0 ... 60 °C
Weight per piece	See table below

Technical data

Part No.	Port G	Port D	Delivery unit	Weight per piece
R432000260	Ø5/32	Ø5/32	10 piece	0.041 kg
R432000259	Ø5/16	Ø5/16	10 piece	0.018 kg
R432000258	Ø 3/8	Ø 3/8	10 piece	0.027 kg
R432000257	Ø1/4	Ø1/4	10 piece	0.014 kg
R432000256	Ø1/2	Ø1/2	10 piece	0.041 kg

Technical information

The series QR1 (plastic) and QR2 (metal) can not be combined

These pneumatic components with NPT or inch thread dimensions are only available from our US sales organization.

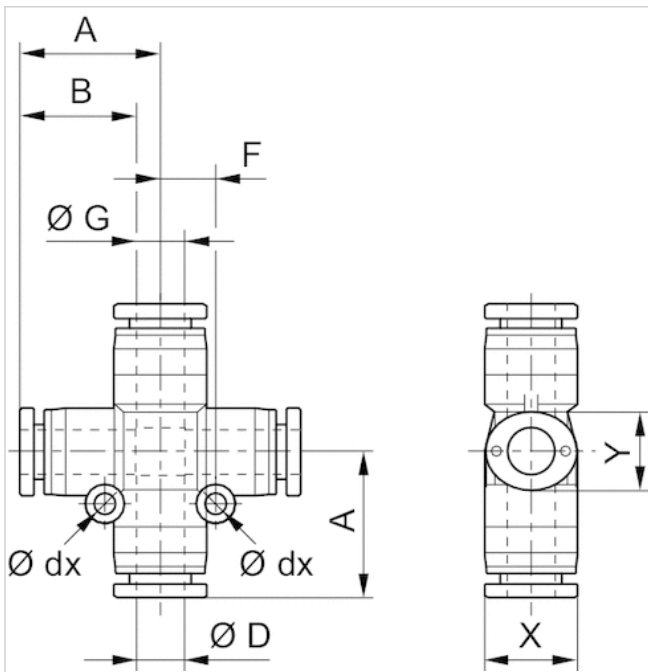
For further information about assembling and tolerances of adaptable tubing can be found in the "Technical information" document (available in the MediaCentre).

Technical information

Material	
Material	nickel-plated
Housing	Polybutyleneterephthalate
Seal	Acrylonitrile butadiene rubber
Tooth lock washer	Stainless steel
Release ring	Polyoxymethylene
Release ring holder	Die cast zinc Brass, nickel-plated

Dimensions

Dimensions in inches



Dimensions in inches

Part No.	Port D	Port G	A	B	X	Y
R432000260	Ø5/32	Ø5/32	0.73	0.63	0.39	0.47
R432000259	Ø5/16	Ø5/16	1.02	0.73	0.55	0.63
R432000258	Ø 3/8	Ø 3/8	1.15	0.83	0.67	0.75
R432000257	Ø1/4	Ø1/4	0.9	0.67	0.47	0.55
R432000256	Ø1/2	Ø1/2	1.15	0.89	0.83	0.91

QR1-S-RED standard series

- Straight push-in fitting, reducing
- push-in fitting
- Ø5/32 Ø5/16 Ø 3/8 Ø1/4
- pin bushing
- Ø5/16 Ø1/4 Ø1/2 Ø 3/8
- QR1-S-RED



Working pressure min./max.	-0.95 ... 10 bar
Ambient temperature min./max.	0 ... 60 °C
Weight per piece	See table below

Technical data

Part No.	Port G	Port D	Delivery unit	Weight per piece
R432000070	Ø5/32	Ø5/16	10 piece	0.005 kg
R432000066	Ø5/32	Ø1/4	10 piece	0.005 kg
R432000065	Ø5/16	Ø1/2	10 piece	0.009 kg
R432000068	Ø5/16	Ø 3/8	10 piece	0.005 kg
R432000064	Ø 3/8	Ø1/2	10 piece	0.009 kg
R432000069	Ø1/4	Ø5/16	10 piece	0.005 kg
R432000067	Ø1/4	Ø 3/8	10 piece	0.005 kg
R432000063	Ø1/4	Ø1/2	10 piece	0.005 kg

Technical information

The series QR1 (plastic) and QR2 (metal) can not be combined

These pneumatic components with NPT or inch thread dimensions are only available from our US sales organization.

For further information about assembling and tolerances of adaptable tubing can be found in the "Technical information" document (available in the MediaCentre).

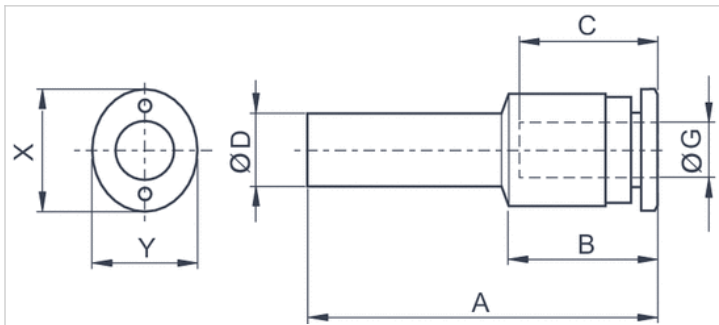
Technical information

Material	
Material	nickel-plated
Housing	Polybutyleneterephthalate
Seal	Acrylonitrile butadiene rubber

Material	
Tooth lock washer	Stainless steel
Release ring	Polyoxymethylene
Release ring holder	Die cast zinc Brass, nickel-plated

Dimensions

Dimensions in inches



Dimensions in inches

Part No.	Port D	Port G	A	B	C	X	Y
R432000070	Ø5/16	Ø5/32	1.702	0.693	0.729	0.473	0.394
R432000066	Ø1/4	Ø5/32	1.6	0.693	0.67	0.473	0.394
R432000065	Ø1/2	Ø5/16	1.95	0.801	0.729	0.63	0.552
R432000068	Ø 3/8	Ø5/16	1.872	0.801	0.827	0.63	0.552
R432000064	Ø1/2	Ø 3/8	2.065	0.906	0.827	0.749	0.67
R432000069	Ø5/16	Ø1/4	1.741	0.756	0.729	0.552	0.473
R432000067	Ø 3/8	Ø1/4	1.82	0.756	0.827	0.552	0.473
R432000063	Ø1/2	Ø1/4	1.899	0.756	0.67	0.552	0.473

QR1-S-RVA standard series

- Angled plug-in connector
- pin bushing
- Ø5/32 Ø5/16 Ø 3/8 Ø1/4 Ø1/2
- push-in fitting
- Ø5/32 Ø5/16 Ø 3/8 Ø1/4 Ø1/2
- QR1-S-RVA



Working pressure min./max.	-0.95 ... 10 bar
Ambient temperature min./max.	0 ... 60 °C
Weight per piece	See table below

Technical data

Part No.	Port G	Port D	Delivery unit	Weight per piece
R432000193	Ø5/32	Ø5/32	10 piece	0.005 kg
R432000192	Ø5/16	Ø5/16	10 piece	0.009 kg
R432000191	Ø 3/8	Ø 3/8	10 piece	0.014 kg
R432000190	Ø1/4	Ø1/4	10 piece	0.005 kg
R432000189	Ø1/2	Ø1/2	10 piece	0.023 kg

Technical information

The series QR1 (plastic) and QR2 (metal) can not be combined

These pneumatic components with NPT or inch thread dimensions are only available from our US sales organization.

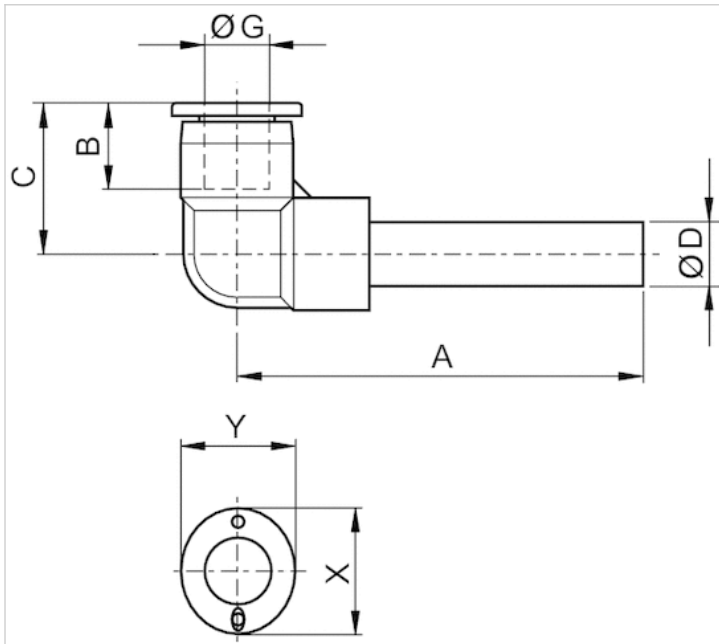
For further information about assembling and tolerances of adaptable tubing can be found in the "Technical information" document (available in the MediaCentre).

Technical information

Material	
Material	nickel-plated
Housing	Polybutyleneterephthalate
Seal	Acrylonitrile butadiene rubber
Tooth lock washer	Stainless steel
Release ring	Polyoxymethylene
Release ring holder	Die cast zinc Brass, nickel-plated

Dimensions

Dimensions in inches



Dimensions in inches

Part No.	Port D	Port G	A	B	C	X	Y
R432000193	Ø5/32	Ø5/32	1.21	0.63	0.71	0.47	0.39
R432000192	Ø5/16	Ø5/16	1.58	0.73	0.9	0.63	0.55
R432000191	Ø 3/8	Ø 3/8	1.85	0.83	1.03	0.75	0.67
R432000190	Ø1/4	Ø1/4	1.42	0.67	0.81	0.55	0.47
R432000189	Ø1/2	Ø1/2	2.05	0.89	1.15	0.91	0.83

QR1-S-RLL standard series

- Angled plug-in connector, long
- pin bushing
- Ø5/32 Ø5/16 Ø 3/8 Ø1/4 Ø1/2
- push-in fitting
- Ø5/32 Ø5/16 Ø 3/8 Ø1/4 Ø1/2
- QR1-S-RLL



Working pressure min./max.	-0.95 ... 10 bar
Ambient temperature min./max.	0 ... 60 °C
Weight per piece	See table below

Technical data

Part No.	Port G	Port D	Delivery unit	Weight per piece
R432000092	Ø5/32	Ø5/32	10 piece	0.005 kg
R432000091	Ø5/16	Ø5/16	10 piece	0.009 kg
R432000090	Ø 3/8	Ø 3/8	10 piece	0.014 kg
R432000089	Ø1/4	Ø1/4	10 piece	0.005 kg
R432000088	Ø1/2	Ø1/2	10 piece	0.018 kg

Technical information

The series QR1 (plastic) and QR2 (metal) can not be combined

These pneumatic components with NPT or inch thread dimensions are only available from our US sales organization.

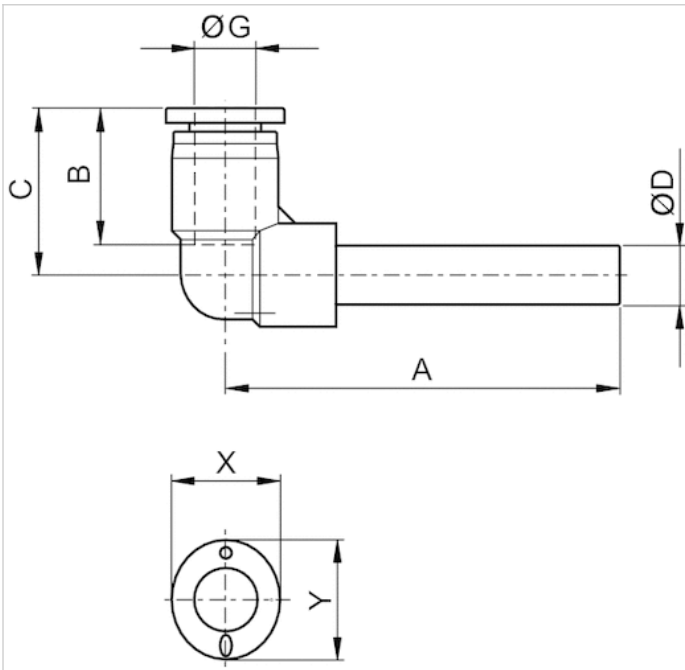
For further information about assembling and tolerances of adaptable tubing can be found in the "Technical information" document (available in the MediaCentre).

Technical information

Material	
Material	nickel-plated
Housing	Polybutyleneterephthalate
Seal	Acrylonitrile butadiene rubber
Tooth lock washer	Stainless steel
Release ring	Polyoxymethylene
Release ring holder	Die cast zinc Brass, nickel-plated

Dimensions

Dimensions in inches



Dimensions in inches

Part No.	Port D	Port G	A	B	C	X	Y
R432000092	$\text{Ø}5/32$	$\text{Ø}5/32$	1.55	0.63	0.74	0.47	0.39
R432000091	$\text{Ø}5/16$	$\text{Ø}5/16$	2.13	0.73	0.9	0.63	0.55
R432000090	$\text{Ø} 3/8$	$\text{Ø} 3/8$	2.44	0.83	1.03	0.75	0.67
R432000089	$\text{Ø}1/4$	$\text{Ø}1/4$	1.96	0.67	0.83	0.55	0.47
R432000088	$\text{Ø}1/2$	$\text{Ø}1/2$	2.7	0.89	1.15	0.91	0.83

QR1-S-RMS standard series

- 3x push-in fitting, reducing
- pin bushing
- Ø5/32 Ø5/16 Ø1/4
- push-in fitting
- Ø5/16 Ø1/4 Ø 3/8
- push-in fitting
- Ø5/32 Ø5/16 Ø1/4
- QR1-S-RMS



Working pressure min./max.	-0.95 ... 10 bar
Ambient temperature min./max.	0 ... 60 °C
Weight per piece	See table below

Technical data

Part No.	Port G	Port D	Delivery unit	Weight per piece
R432000117	Ø5/32	Ø5/16	10 piece	0.018 kg
R432000113	Ø5/32	Ø1/4	10 piece	0.014 kg
R432000114	Ø5/16	Ø 3/8	10 piece	0.032 kg
R432000115	Ø1/4	Ø5/16	10 piece	0.018 kg

Technical information

The series QR1 (plastic) and QR2 (metal) can not be combined

These pneumatic components with NPT or inch thread dimensions are only available from our US sales organization.

For further information about assembling and tolerances of adaptable tubing can be found in the "Technical information" document (available in the MediaCentre).

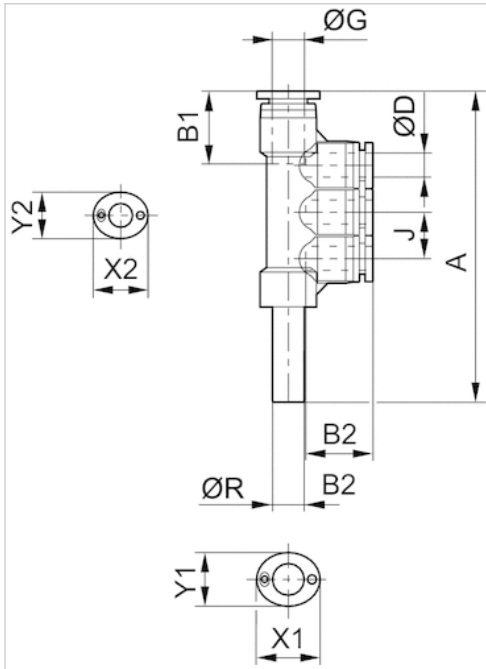
Technical information

Material	
Material	nickel-plated
Housing	Polybutyleneterephthalate
Seal	Acrylonitrile butadiene rubber
Tooth lock washer	Stainless steel
Release ring	Polyoxymethylene

Material	
Release ring holder	Die cast zinc Brass, nickel-plated

Dimensions

Dimensions in inches



Dimensions in inches

Part No.	Port R	Port D	Port G	A	B1	B2	J	X1	Y1	X2	Y2
R432000117	Ø5/32	Ø5/16	Ø5/32	3.08	0.73	0.63	0.39	0.63	0.552	0.47	0.39
R432000113	Ø5/32	Ø1/4	Ø5/32	2.98	0.73	0.71	0.39	0.55	0.473	0.47	0.39
R432000114	Ø5/16	Ø 3/8	Ø5/16	4.12	0.83	0.73	0.55	0.75	0.67	0.63	0.55
R432000115	Ø1/4	Ø5/16	Ø1/4	3.24	0.73	0.67	0.47	0.63	0.552	0.55	0.47

QR1-S-RY2 standard series

- Y - Push-in fitting
- pin bushing
- Ø5/32 Ø5/16 Ø 3/8 Ø1/4 Ø1/2
- push-in fitting
- Ø5/32 Ø5/16 Ø 3/8 Ø1/4 Ø1/2
- QR1-S-RY2



Working pressure min./max.	-0.95 ... 10 bar
Ambient temperature min./max.	0 ... 60 °C
Weight per piece	See table below

Technical data

Part No.	Port G	Port D	Delivery unit	Weight per piece
R432000265	Ø5/32	Ø5/32	10 piece	0.009 kg
R432000264	Ø5/16	Ø5/16	10 piece	0.014 kg
R432000263	Ø 3/8	Ø 3/8	10 piece	0.023 kg
R432000262	Ø1/4	Ø1/4	10 piece	0.009 kg
R432000261	Ø1/2	Ø1/2	10 piece	0.032 kg

Technical information

The series QR1 (plastic) and QR2 (metal) can not be combined
 These pneumatic components with NPT or inch thread dimensions are only available from our US sales organization.

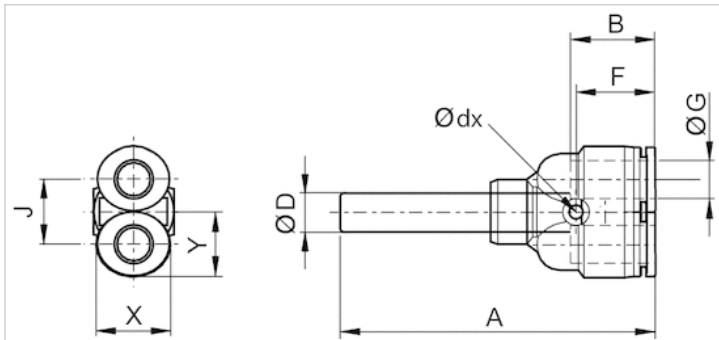
For further information about assembling and tolerances of adaptable tubing can be found in the "Technical information" document (available in the MediaCentre).

Technical information

Material	
Material	nickel-plated
Housing	Polybutyleneterephthalate
Seal	Acrylonitrile butadiene rubber
Tooth lock washer	Stainless steel
Release ring	Polyoxymethylene
Release ring holder	Die cast zinc Brass, nickel-plated

Dimensions

Dimensions in inches



Dimensions in inches

Part No.	Port D	Port D	A	B	J	X	Y
R432000265	Ø5/32	Ø5/32	1.9	0.63	0.378	0.38	0.39
R432000264	Ø5/16	Ø5/16	1.66	0.73	0.552	0.55	0.55
R432000263	Ø 3/8	Ø 3/8	1.89	0.83	0.709	0.71	0.67
R432000262	Ø1/4	Ø1/4	1.5	0.67	0.473	0.47	0.47
R432000261	Ø1/2	Ø1/2	2.13	0.89	0.82	0.82	0.83

QR1-S-R2R standard series

- Y-Push-in fitting, reducing
- push-in fitting
- Ø5/32 Ø5/16 Ø 3/8
- pin bushing
- Ø5/16 Ø1/4 Ø 3/8 Ø1/2
- QR1-S-R2R



Working pressure min./max.	-0.95 ... 10 bar
Ambient temperature min./max.	0 ... 60 °C
Weight per piece	See table below

Technical data

Part No.	Port G	Port D	Delivery unit	Weight per piece
R432000015	Ø5/32	Ø5/16	10 piece	0.009 kg
R432000013	Ø5/32	Ø1/4	10 piece	0.009 kg
R432000014	Ø5/16	Ø 3/8	10 piece	0.018 kg
R432000012	Ø 3/8	Ø1/2	10 piece	0.027 kg

Technical information

The series QR1 (plastic) and QR2 (metal) can not be combined

These pneumatic components with NPT or inch thread dimensions are only available from our US sales organization.

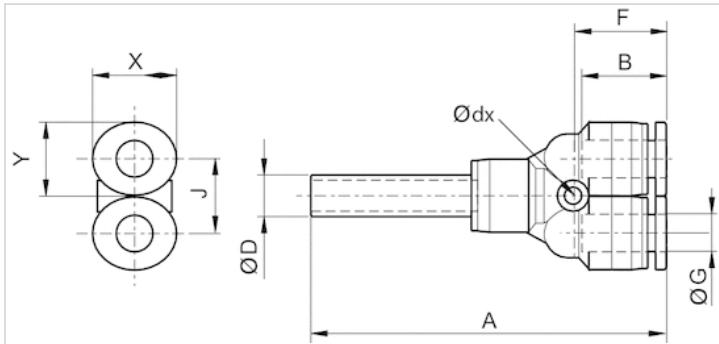
For further information about assembling and tolerances of adaptable tubing can be found in the "Technical information" document (available in the MediaCentre).

Technical information

Material	
Material	nickel-plated
Housing	Polybutyleneterephthalate
Seal	Acrylonitrile butadiene rubber
Tooth lock washer	Stainless steel
Release ring	Polyoxymethylene
Release ring holder	Die cast zinc Brass, nickel-plated

Dimensions

Dimensions in inches



Dimensions in inches

Part No.	Port D	Port G	A	B	J	X	Y
R432000015	Ø5/16	Ø5/32	2.31	0.67	0.47	0.55	0.47
R432000013	Ø1/4	Ø5/32	2.18	0.63	0.38	0.47	0.39
R432000014	Ø 3/8	Ø5/16	2.16	0.73	0.55	0.63	0.55
R432000012	Ø1/2	Ø 3/8	2.96	0.83	0.71	0.75	0.67

QR1-S-RCA standard series

- Sealing cap
- push-in fitting
- Ø5/32 Ø5/16 Ø 3/8 Ø1/4 Ø1/2
- QR1-S-RCA



Working pressure min./max.	-0.95 ... 10 bar
Ambient temperature min./max.	0 ... 60 °C
Weight per piece	See table below

Technical data

Part No.	Port G	Delivery unit	Weight per piece
R432002351	Ø5/32	20 piece	0.03 kg
R432002352	Ø5/16	20 piece	0.07 kg
R432000053	Ø 3/8	20 piece	0.009 kg
R432000052	Ø1/4	20 piece	0.005 kg
R432000051	Ø1/2	20 piece	0.009 kg

Technical information

The series QR1 (plastic) and QR2 (metal) can not be combined
 These pneumatic components with NPT or inch thread dimensions are only available from our US sales organization.

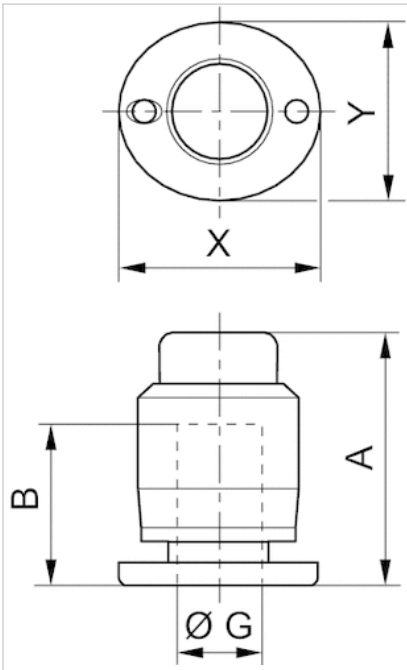
For further information about assembling and tolerances of adaptable tubing can be found in the "Technical information" document (available in the MediaCentre).

Technical information

Material	
Material	nickel-plated
Housing	Polybutyleneterephthalate
Seal	Acrylonitrile butadiene rubber
Tooth lock washer	Stainless steel
Release ring	Polyoxymethylene
Release ring holder	Die cast zinc Brass, nickel-plated

Dimensions

Dimensions in inches



Dimensions in inches

Part No.	Port G	A	B	X	Y
R432002351	Ø5/32	0.69	0.6	0.47	0.39
R432002352	Ø5/16	0.8	0.72	0.55	0.63
R432000053	Ø 3/8	0.93	0.83	0.75	0.67
R432000052	Ø1/4	0.77	0.67	0.55	0.47
R432000051	Ø1/2	1	0.89	0.91	0.83

QR1-S-RBS standard series

- Blanking plug
- pin bushing
- Ø5/32 Ø5/16 Ø 3/8 Ø1/4 Ø1/2
- QR1-S-RBS



Working pressure min./max. -0.95 ... 10 bar
 Ambient temperature min./max. 0 ... 60 °C
 Weight per piece See table below

Technical data

Part No.	Port G	Delivery unit	Weight per piece
R432002353	Ø5/32	20 piece	0.006 kg
R432002354	Ø5/16	20 piece	0.023 kg
R432000050	Ø 3/8	20 piece	0.005 kg
R432000049	Ø1/4	20 piece	0.005 kg
R432000048	Ø1/2	20 piece	0.005 kg

Technical information

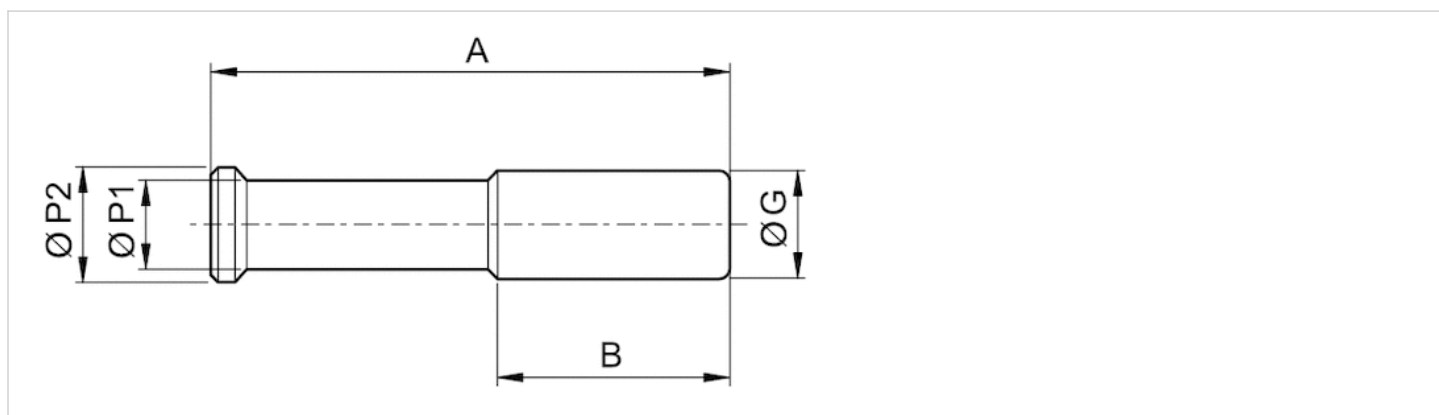
The series QR1 (plastic) and QR2 (metal) can not be combined
 These pneumatic components with NPT or inch thread dimensions are only available from our US sales organization.
 For further information about assembling and tolerances of adaptable tubing can be found in the "Technical information" document (available in the MediaCentre).

Technical information

Material	
Material	nickel-plated
Housing	Polybutyleneterephthalate

Dimensions

Dimensions in inches



Dimensions in inches

Part No.	Port G	A	B	Ø P1	Ø P2
R432002353	Ø5/32	1.1	0.63	0.12	0.16
R432002354	Ø5/16	1.65	0.73	0.28	0.39
R432000050	Ø 3/8	1.66	0.83	0.28	0.37
R432000049	Ø1/4	1.26	0.67	0.18	0.25
R432000048	Ø1/2	1.73	0.89	0.34	0.5

QR1-S-RDS standard series

- Connection piece
- pin bushing
- Ø5/32 Ø5/16 Ø 3/8 Ø1/4 Ø1/2
- pin bushing
- Ø5/32 Ø5/16 Ø 3/8 Ø1/4 Ø1/2
- QR1-S-RDS



Working pressure min./max.	-0.95 ... 10 bar
Ambient temperature min./max.	0 ... 60 °C
Weight per piece	0.005 kg

Technical data

Part No.	Port G	Port D	Delivery unit
R432000062	Ø5/32	Ø5/32	20 piece
R432000060	Ø5/16	Ø5/16	20 piece
R432000058	Ø 3/8	Ø 3/8	20 piece
R432000056	Ø1/4	Ø1/4	20 piece
R432000054	Ø1/2	Ø1/2	20 piece

Technical information

The series QR1 (plastic) and QR2 (metal) can not be combined

These pneumatic components with NPT or inch thread dimensions are only available from our US sales organization.

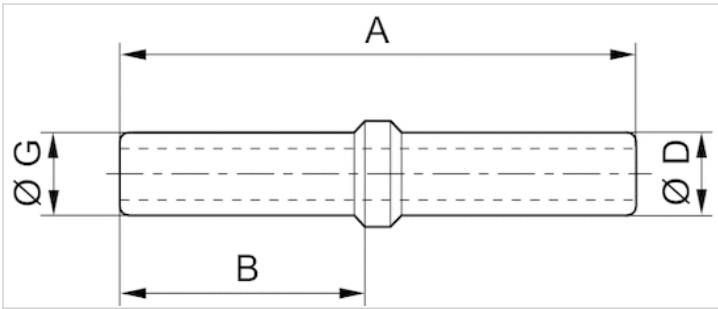
For further information about assembling and tolerances of adaptable tubing can be found in the "Technical information" document (available in the MediaCentre).

Technical information

Material	
Material	nickel-plated
Housing	Polybutyleneterephthalate

Dimensions

Dimensions



Dimensions in inches

Part No.	Port D	Port G	A	B
R432000062	Ø5/32	Ø5/32	1.38	0.63
R432000060	Ø5/16	Ø5/16	1.81	0.83
R432000058	Ø 3/8	Ø 3/8	1.97	0.83
R432000056	Ø1/4	Ø1/4	1.46	0.67
R432000054	Ø1/2	Ø1/2	1.97	0.89

QR1-S-RDR standard series

- Connection pieces, reducing
- pin bushing
- Ø5/32 Ø5/16 Ø1/4 Ø1/2
- pin bushing
- Ø1/4 Ø 3/8 Ø5/16
- QR1-S-RDR



Working pressure min./max.	-0.95 ... 10 bar
Ambient temperature min./max.	0 ... 60 °C
Weight per piece	0.005 kg

Technical data

Part No.	Port G	Port D	Delivery unit
R432000057	Ø5/32	Ø1/4	10 piece
R432000059	Ø5/16	Ø 3/8	10 piece
R432000061	Ø1/4	Ø5/16	10 piece
R432000055	Ø1/2	Ø 3/8	10 piece

Technical information

The series QR1 (plastic) and QR2 (metal) can not be combined

These pneumatic components with NPT or inch thread dimensions are only available from our US sales organization.

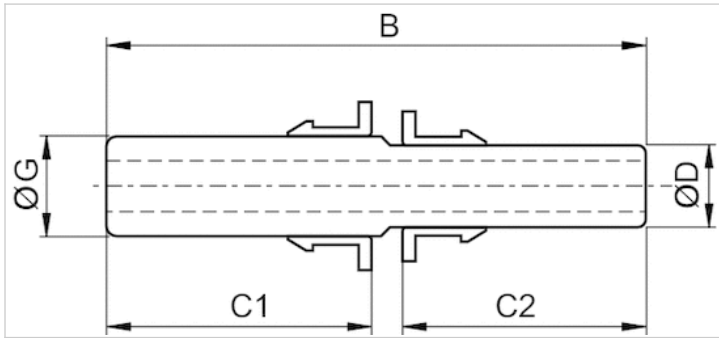
For further information about assembling and tolerances of adaptable tubing can be found in the "Technical information" document (available in the MediaCentre).

Technical information

Material	
Material	nickel-plated
Housing	Polybutyleneterephthalate

Dimensions

Dimensions



Dimensions in inches

Part No.	Port D	Port G	A	C1	C2
R432000057	Ø1/4	Ø5/32	1.42	0.67	0.63
R432000059	Ø 3/8	Ø5/16	1.69	0.83	0.83
R432000061	Ø5/16	Ø1/4	1.54	0.73	0.67
R432000055	Ø 3/8	Ø1/2	1.89	0.89	0.89

Efficient pneumatic solutions, our program: cylinders and drives, valves and valve systems, air supply management



Visit us: Emerson.com/Aventics

Your local contact: Emerson.com/contactus



Emerson.com



Facebook.com/EmersonAutomationSolutions



LinkedIn.com/company/Emerson-Automation-Solutions



Twitter.com/EMR_Automation

An example configuration is depicted on the title page. The delivered product may thus vary from that in the illustration. Subject to change. This Document, as well as the data, specifications and other information set forth in it, are the exclusive property of AVENTICS GmbH. It may not be reproduced or given to third parties without its consent. Only use the AVENTICS products shown in industrial applications. Read the product documentation completely and carefully before using the product. Observe the applicable regulations and laws of the respective country. When integrating the product into applications, note the system manufacturer's specifications for safe use of the product. The data specified only serve to describe the product. No statements concerning a certain condition or suitability for a certain application can be derived from our information. The information given does not release the user from the obligation of own judgment and verification. It must be remembered that the products are subject to a natural process of wear and aging.

The Emerson logo is a trademark and service mark of Emerson Electric Co. Brand logotype are registered trademarks of one of the Emerson family of companies. All other marks are the property of their respective owners. © 2017 Emerson Electric Co. All rights reserved. 2019-03



CONSIDER IT SOLVED™



青岛秉诚自动化设备有限公司
地址：中国·青岛市重庆南路99号海尔云街甲3号楼7F

服务热线：4006-918-365
网址：<http://www.asco.store>

传真：(86-532)585-10-365
Email：sales@bechinas.com