

### FEATURES

- Immersion tank system made of steel with welded end covers with CE approval according to Directive 2009/105/EC – PED 97/23/EC
- Immersed valve system with special diaphragm design offers highest peak pressure and best flow performance operating features required for dust collector applications
- The high quality diaphragms are reinforced and wear resistant to guarantee a long operating life, even under harsh conditions
- Possibility to apply different combinations of pitch distances
- Service connections for different accessories such as: filter regulator, pressure gauge, safety valve and automatic/manual drain valve
- Available with hose and threaded blow pipe connections

### GENERAL

**Differential pressure (PS)** 0,35 to 8 bar [1 bar = 100kPa]  
**Ambient temperature range** -10 to +80°C

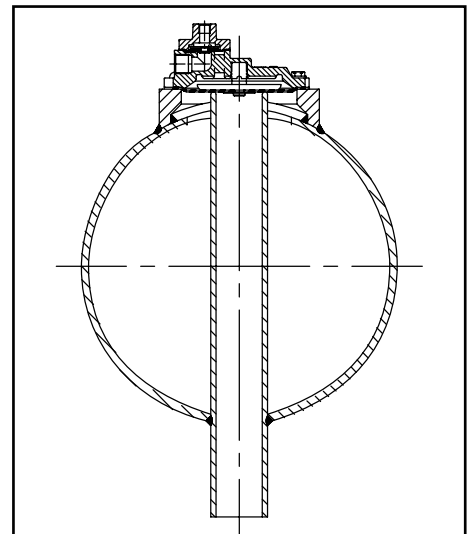
fluid	temperature range (TS)	seal materials
air	-10 to +80°C	CR (chloroprene)

### CONSTRUCTION

**Tank** Steel, grey  
**Bonnet** Aluminium  
**Bolts** Stainless steel  
**Sealing & discs** NBR (nitrile)  
**Diaphragm** CR

### PILOT SOLENOID VALVES (2/2 NC function)

pipe size	main pulse valves	remote pilot connection	recommended executions		
			orifice size (mm)	manifold pilot valves in a box (IP 65)	single pilot valves (IP20)
1 1/2"	G357APxx G357AQxx	G1/8	3,6	pilot box series 110 2 to 12 valves 1/8	series 257



### SPECIFICATIONS

pipe size	orifice size (mm)	flow coefficient Kv (m³/h) (l/min)		operating pressure differential (bar)		catalogue number	
				min	max. (PS)		
					air ~ / =	hose	threaded
<b>8" Tank System</b>							
1 1/2"	40	46	768	0,35	8	G357APxx <sup>(1) (2)</sup>	G357AQxx <sup>(1) (2)</sup>

<sup>(1)</sup> Standard tank has round ends. For flat ends use suffix FE

<sup>(2)</sup> xx indicates the number of valves

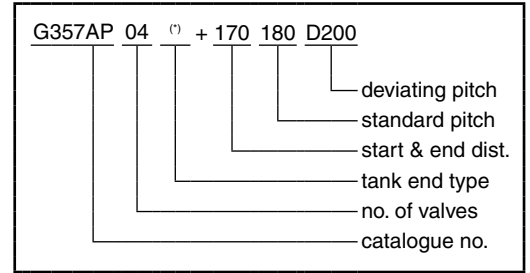
60165GB-2016/R01 Availability, design and specifications are subject to change without notice. All rights reserved.

### ORDERING

Example: Dimension code for a 4 valves tank system:

Tank diameter	8"
Operator	Remote
Pipe size	1 1/2"
Connection	Hose (see fig. 1: Connection Type)
Number of valves	4 pcs
Start and End distance	170 mm
Standard pitch	180 mm
Deviating pitch	Between valve no. 3 and no. 4 is position D (see fig. 1) 200 mm
Catalogue number	G357AP04 24V/DC
Dimension code	170180D200

### ORDERING EXAMPLE TANK SYSTEM:



### SPARE PARTS KITS

catalogue number	spare parts kit no.
G357APxx	~/=
G357AQxx	C113826

### DIMENSIONS (mm)

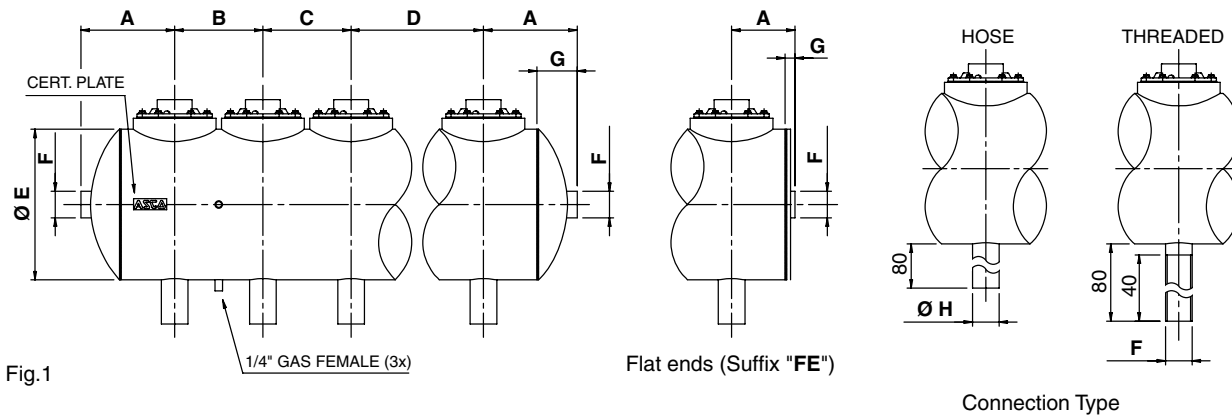


Fig.1

tank diameter	fig.	A		B / C / D		A		Ø E	F	G	Ø H	
		min. start distance (round)	min. start distance (flat)	minimum pitch (round)	minimum pitch (flat)	min. end distance (round)	min. end distance (flat)					
8"	1	170	118	160	160	170	118	218,1	G 1 1/2"	70	18	48,3

(\*) For standard tank (round ends) use no suffix, for flat ends use suffix FE

### MOUNTING BRACKETS

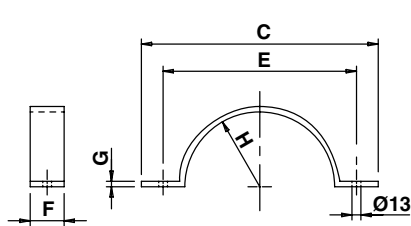


Fig.2 - Contra bracket

tank diameter	fig.	C	Ø E	F	G	H
8"	2	348	284	50	8	110

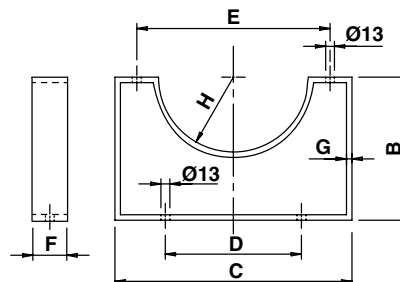


Fig.3 - Bracket

tank diameter	fig.	B	C	D	Ø E	F	G	H
8"	3	210	348	200	284	50	8	110

### INSTALLATION

- Tank System can be mounted in any position. We can supply standard mounting brackets with each tank by specifying suffix MB behind the catalogue number (see figure 2 and 3)
- Installation / maintenance instructions and declaration of conformity are included with each tank system
- Spare part kits and coils are available

All leaflets are available on: [www.asconumatics.eu](http://www.asconumatics.eu)