

Valve plug connector with cable, series CON-VP



AVENTICS™ Valve plug connector with cable, series



青岛秉诚自动化设备有限公司
地址：中国·青岛市重庆南路99号海尔云街甲3号楼7F

服务热线：4006-918-365
网址：<http://www.asco.store>

传真：(86-532)585-10-365
Email：sales@bechinas.com

Valve plug connector, series CON-VP

- Socket form A 2+E angled 90°
- open cable ends 3-pin
- with cable
- unshielded



Ambient temperature min./max.	-20 ... 80 °C
Operational voltage	See table below
Protection class	IP67
Wire cross-section	0.75 mm ²
Mounting screw tightening torque	0.4 Nm
Weight	See table below

Technical data

Part No.		Operational voltage	Protective circuit	Contact assignment	LED status display
1834484160		230 V AC/DC	-	2+E	-
1834484162		24 V AC/DC	Z-diode	2+E	Yellow
1834484163		24 V AC/DC	Z-diode	2+E	Yellow
1834484164		230 V AC/DC	Varistor	2+E	Red
1834484165		230 V AC/DC	Varistor	2+E	Red

Part No.	Number of wires	Cable-Ø	Cable length	Weight	Fig.	
1834484160	3	5.9 mm	3 m	0.2 kg	Fig. 1	1)
1834484162	3	5.9 mm	3 m	0.2 kg	Fig. 2	-
1834484163	3	5.9 mm	5 m	0.31 kg	Fig. 2	-
1834484164	3	5.9 mm	3 m	0.2 kg	Fig. 2	-
1834484165	3	5.9 mm	5 m	0.31 kg	Fig. 2	-

1) Scope of delivery incl. flat gasket

Technical information

The specified protection class is only valid in assembled and tested state.

Technical information

Material	
Seals	caoutchouc/butadiene caoutchouc
Cable sheath	Polyvinyl chloride

Dimensions

Fig. 1

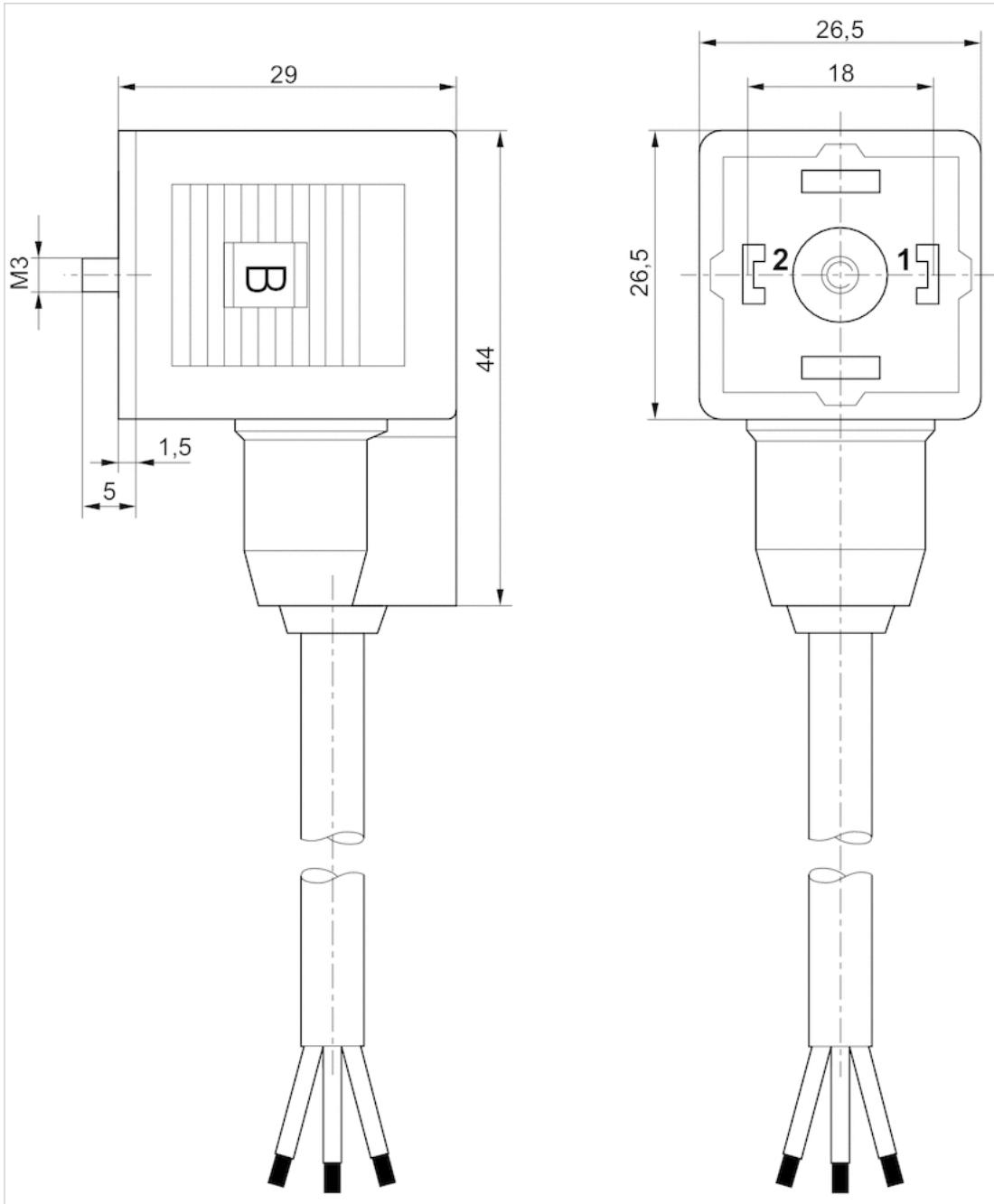
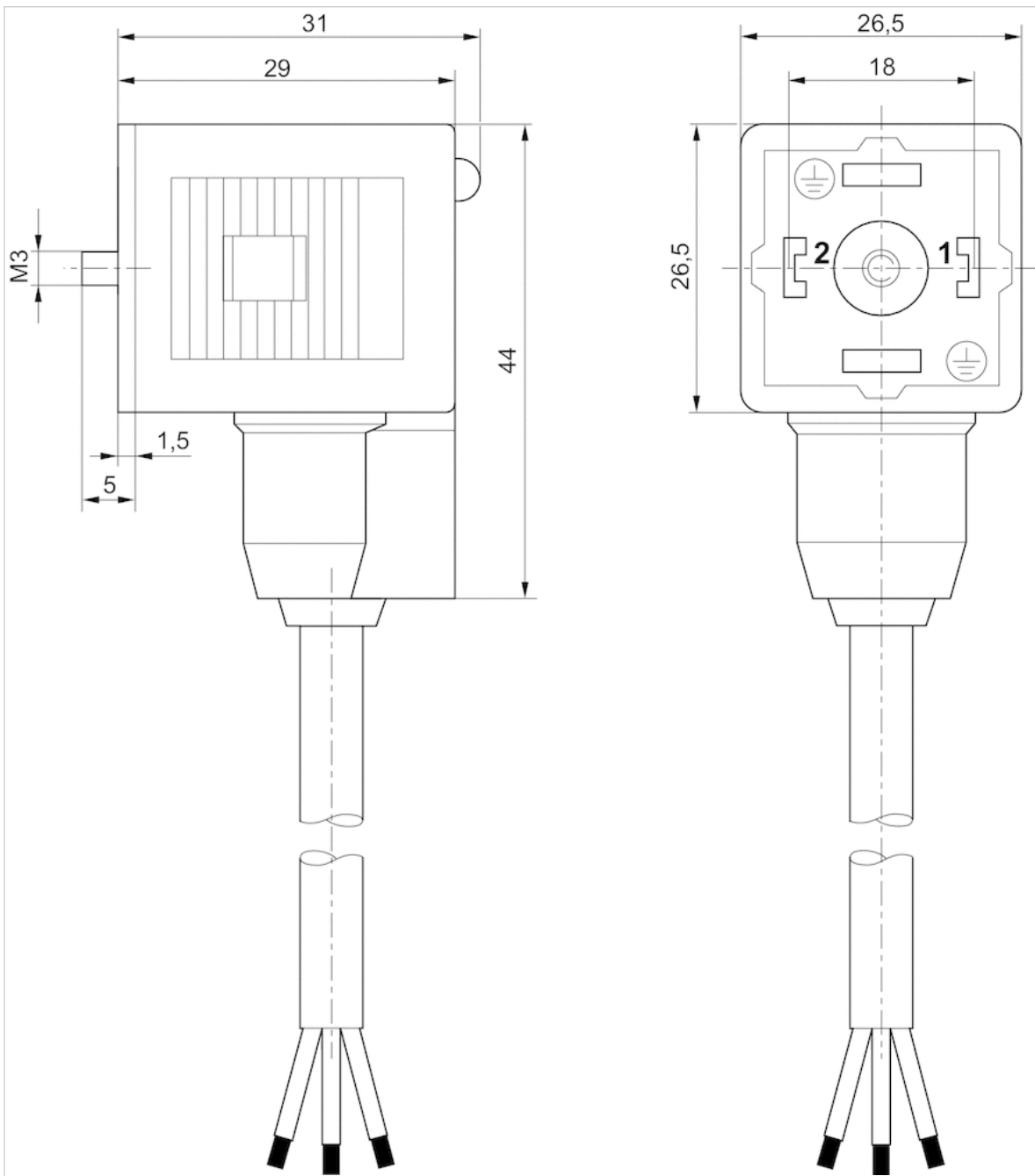


Fig.2

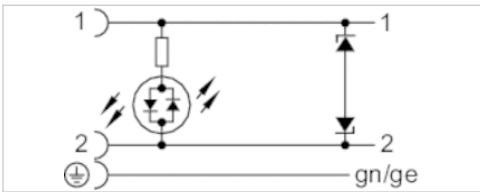


Valve plug connector, series CON-VP

- Socket form B 2+E angled 90°
- open cable ends 3-pin
- with cable
- unshielded



Ambient temperature min./max.	-20 ... 80 °C
Operational voltage	24 V AC/DC
Protection class	IP67
Protective circuit	Z-diode
Wire cross-section	0.75 mm ²
Mounting screw tightening torque	0.4 Nm
Weight	See table below



Technical data

Part No.	Max. current	Contact assignment	LED status display	Number of wires	Cable-Ø	Cable length	Weight	Fig.
1834484152	10 A	2+E	Yellow	3	5.9 mm	3 m	0.2 kg	Fig. 1
1834484153	10 A	2+E	Yellow	3	5.9 mm	3 m	0.2 kg	Fig. 2
1834484154	10 A	2+E	Yellow	3	5.9 mm	5 m	0.31 kg	Fig. 1
1834484155	10 A	2+E	Yellow	3	5.9 mm	5 m	0.31 kg	Fig. 2

Scope of delivery incl. flat gasket

Technical information

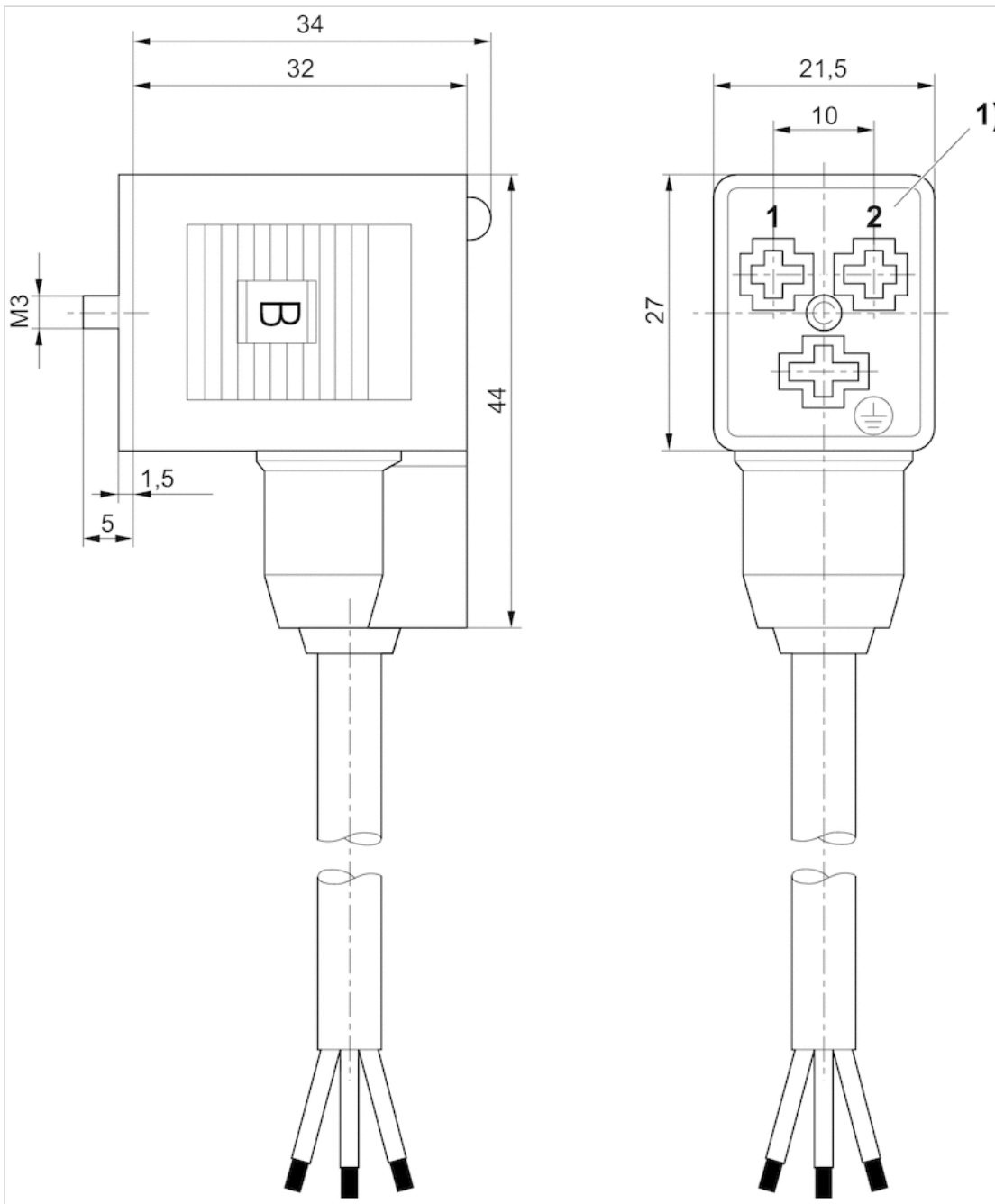
The specified protection class is only valid in assembled and tested state.

Technical information

Material	
Seals	caoutchouc/butadiene caoutchouc
Cable sheath	Polyvinyl chloride

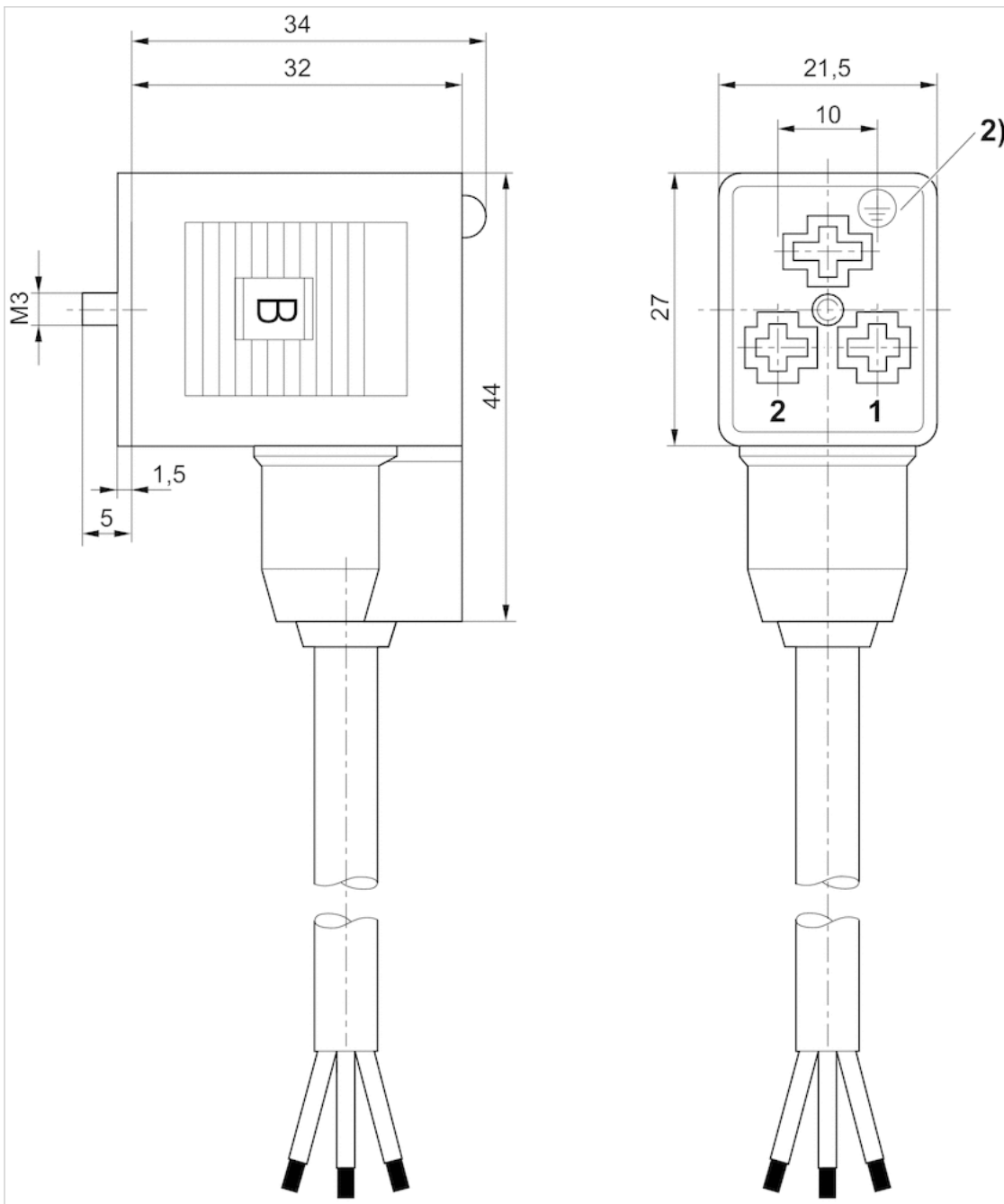
Dimensions

Fig. 1



1) 0° female insert

Fig. 2



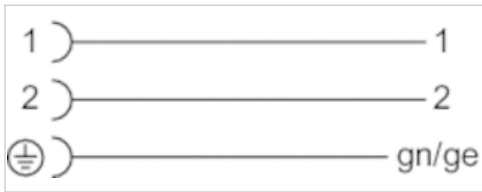
2) 180° female insert

Valve plug connector, series CON-VP

- Socket Form B, industry 2+E angled 90°
- open cable ends 3-pin
- with cable
- unshielded



Ambient temperature min./max.	-20 ... 80 °C
Protection class	IP67
Wire cross-section	0.75 mm ²
Mounting screw tightening torque	0.4 Nm
Weight	0.02 kg



Technical data

Part No.	Max. current	Contact assignment	Number of wires	Cable-Ø	Cable length
8946201912	4 A	2+E	3	5.9 mm	3 m

Technical information

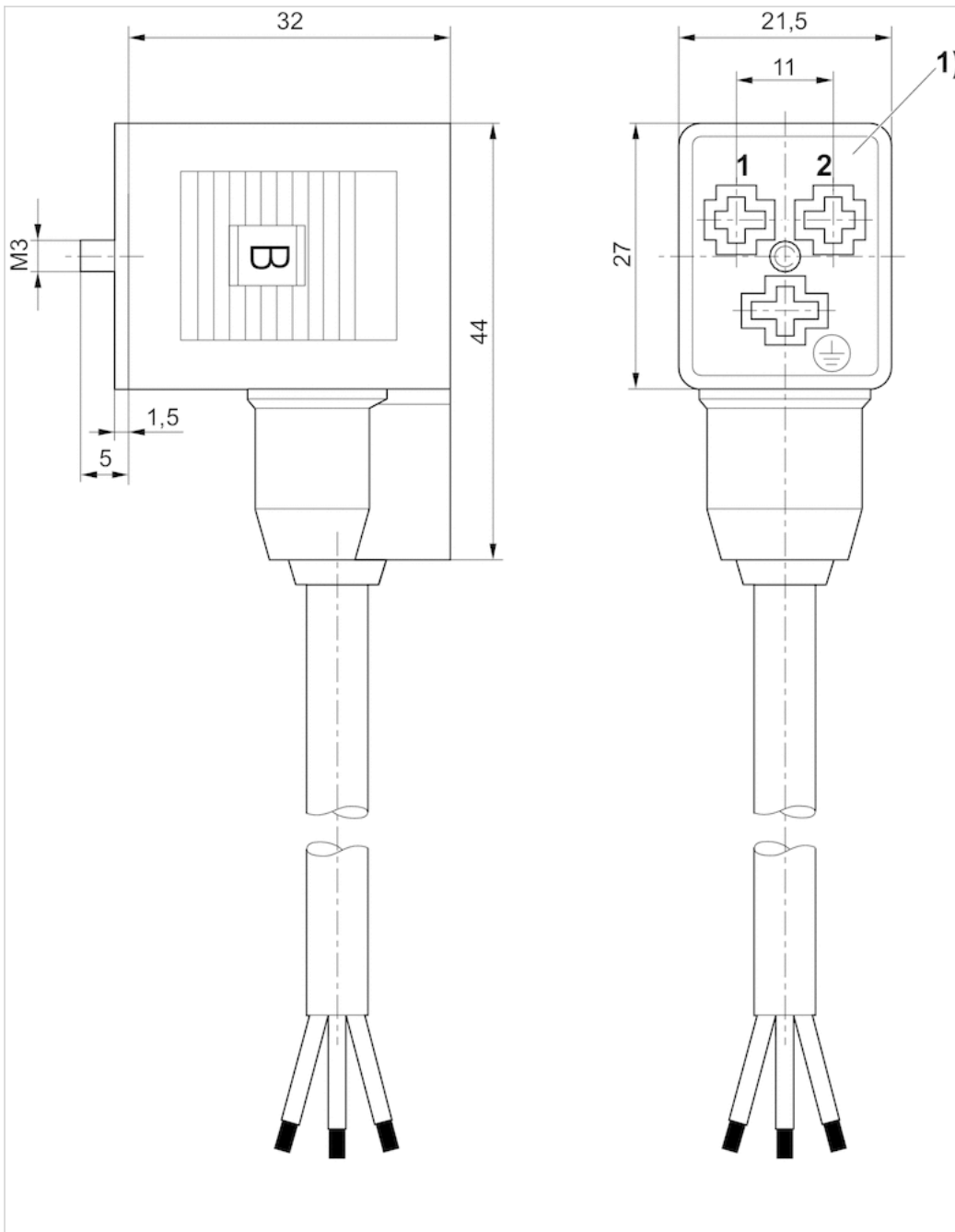
For security reasons, the valve plug connector must be plugged properly and centrally.
The specified protection class is only valid in assembled and tested state.

Technical information

Material	
Cable sheath	Polyvinyl chloride

Dimensions

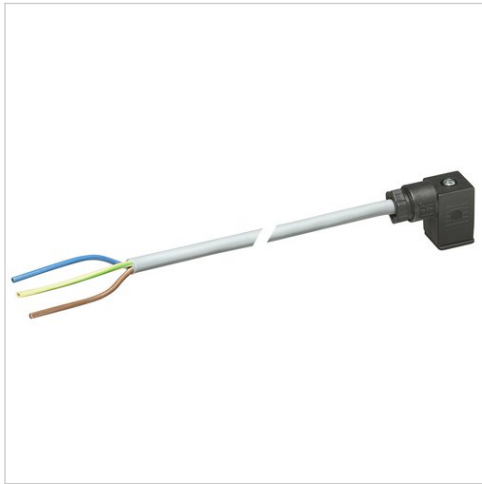
Dimensions



1) 0° female insert

Valve plug connector, series CON-VP

- Socket form C 2+E angled 90°
- open cable ends 3-pin
- with cable
- unshielded



Ambient temperature min./max.	-20 ... 80 °C
Operational voltage	See table below
Protection class	IP67
Wire cross-section	0.75 mm ²
Mounting screw tightening torque	0.4 Nm
Weight	See table below

Technical data

Part No.		Operational voltage	Max. current	Protective circuit	Contact assignment
1834484204		24 V AC/DC	6 A	Z-diode	2+E
1834484205		24 V AC/DC	6 A	Z-diode	2+E
1834484206		24 V AC/DC	6 A	Z-diode	2+E
1834484207		24 V AC/DC	6 A	Z-diode	2+E
1834484236		24 V AC/DC	6 A	Z-diode	2+E
1834484208		230 V AC/DC	6 A	Varistor	2+E
1834484209		230 V AC/DC	6 A	Varistor	2+E
1834484210		230 V AC/DC	6 A	Varistor	2+E
1834484211		230 V AC/DC	6 A	Varistor	2+E
1834484212		230 V AC/DC	6 A	-	2+E
1834484213		230 V AC/DC	6 A	-	2+E
1834484214		230 V AC/DC	6 A	-	2+E
1834484215		230 V AC/DC	6 A	-	2+E

Part No.	LED status display	Number of wires	Cable-Ø	Cable length	Weight	Fig.	
1834484204	Yellow	3	5.9 mm	3 m	0.185 kg	Fig. 1	1)
1834484205	Yellow	3	5.9 mm	3 m	0.185 kg	Fig. 2	1)
1834484206	Yellow	3	5.9 mm	5 m	0.292 kg	Fig. 1	1)
1834484207	Yellow	3	5.9 mm	5 m	0.298 kg	Fig. 2	1)
1834484236	Yellow	3	5.9 mm	10 m	0.571 kg	Fig. 2	1)
1834484208	Yellow	3	5.9 mm	3 m	0.171 kg	Fig. 1	1)
1834484209	Yellow	3	5.9 mm	3 m	0.194 kg	Fig. 2	1)
1834484210	Yellow	3	5.9 mm	5 m	0.297 kg	Fig. 1	1)
1834484211	Yellow	3	5.9 mm	5 m	0.285 kg	Fig. 2	1)
1834484212	-	3	5.9 mm	3 m	0.183 kg	Fig. 1	-
1834484213	-	3	5.9 mm	3 m	0.183 kg	Fig. 2	-

Part No.	LED status display	Number of wires	Cable-Ø	Cable length	Weight	Fig.	
1834484214	-	3	5.9 mm	5 m	0.308 kg	Fig. 1	-
1834484215	-	3	5.9 mm	5 m	0.308 kg	Fig. 2	-

1) Scope of delivery incl. flat gasket

Technical information

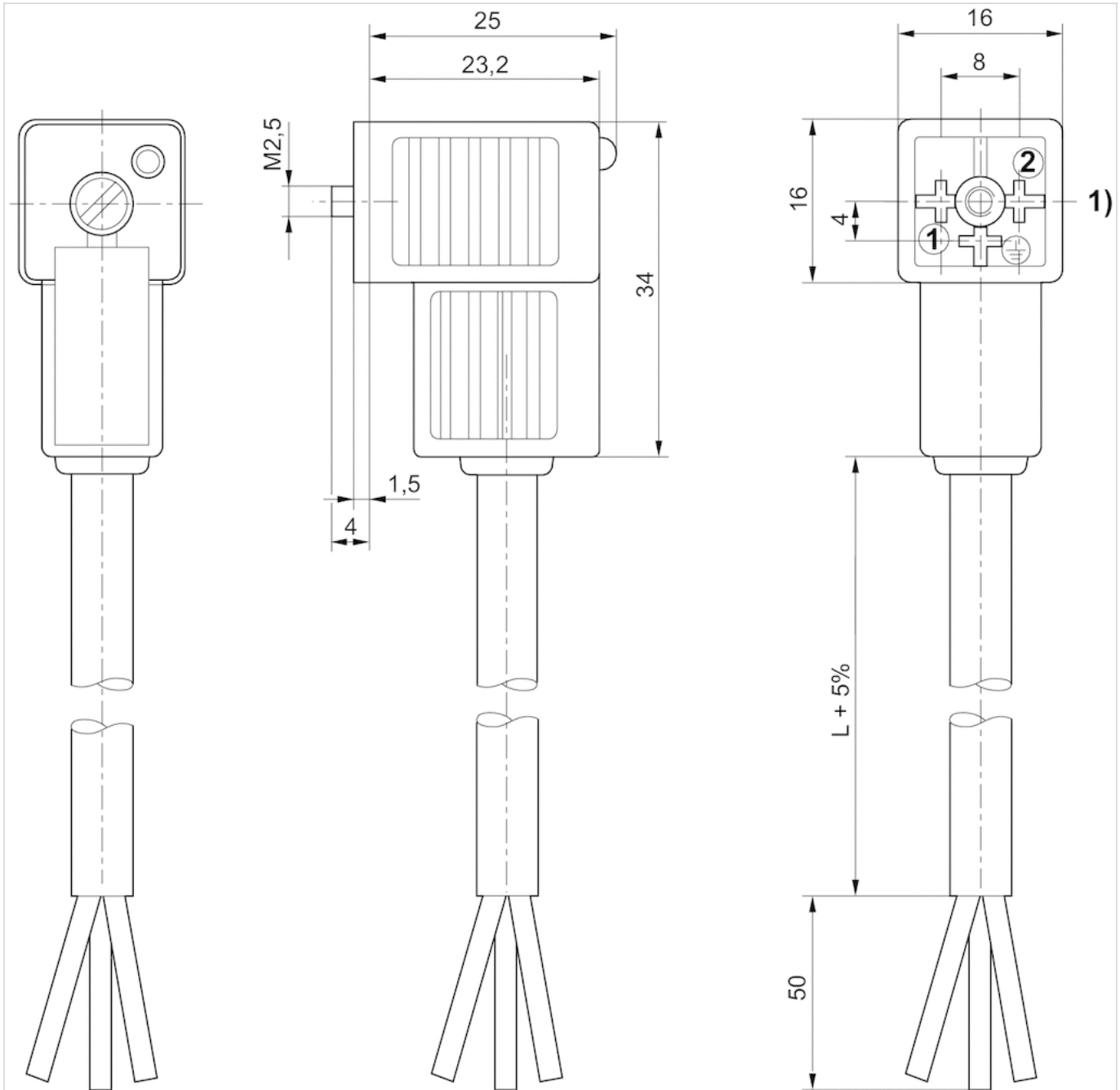
The specified protection class is only valid in assembled and tested state.

Technical information

Material	
Seals	caoutchouc/butadiene caoutchouc
Cable sheath	Polyvinyl chloride

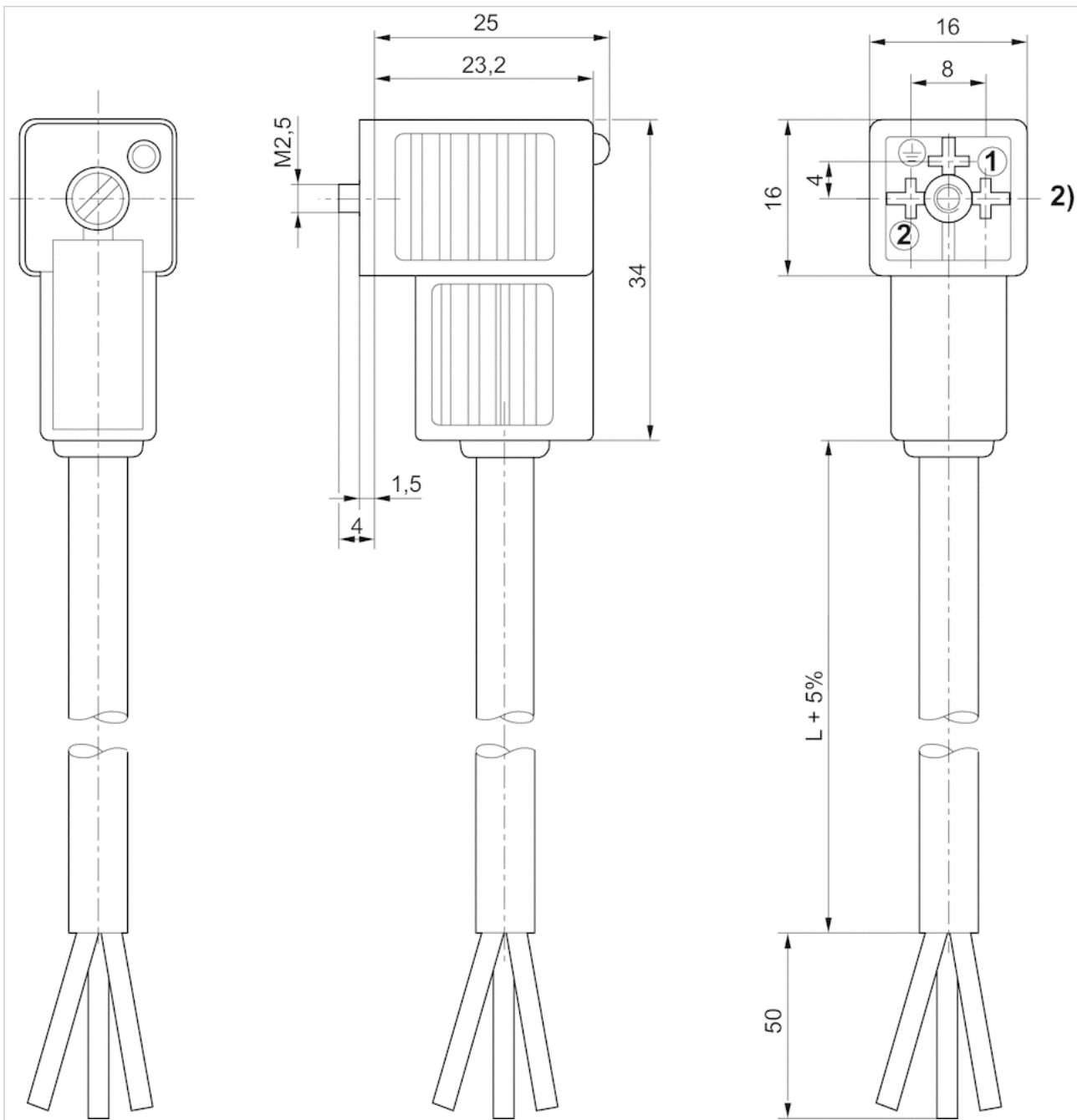
Dimensions

Fig. 1



1) 0° female insert

Fig. 2



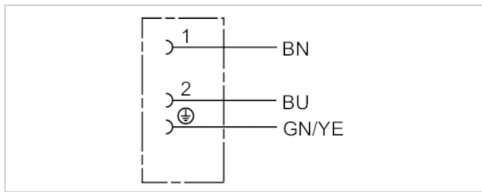
2) 180° female insert

Valve plug connector, series CON-VP

- Socket form C 2+E angled 90°
- open cable ends 3-pin
- with cable
- unshielded



Operational voltage	230 V AC/DC
Protection class	IP67
Wire cross-section	0.75 mm ²
Weight	0.307 kg



Technical data

Part No.	Max. current	Contact assignment	Number of wires	Cable length
8946201612	6 A	2+E	3	5 m

With coding pin

Technical information

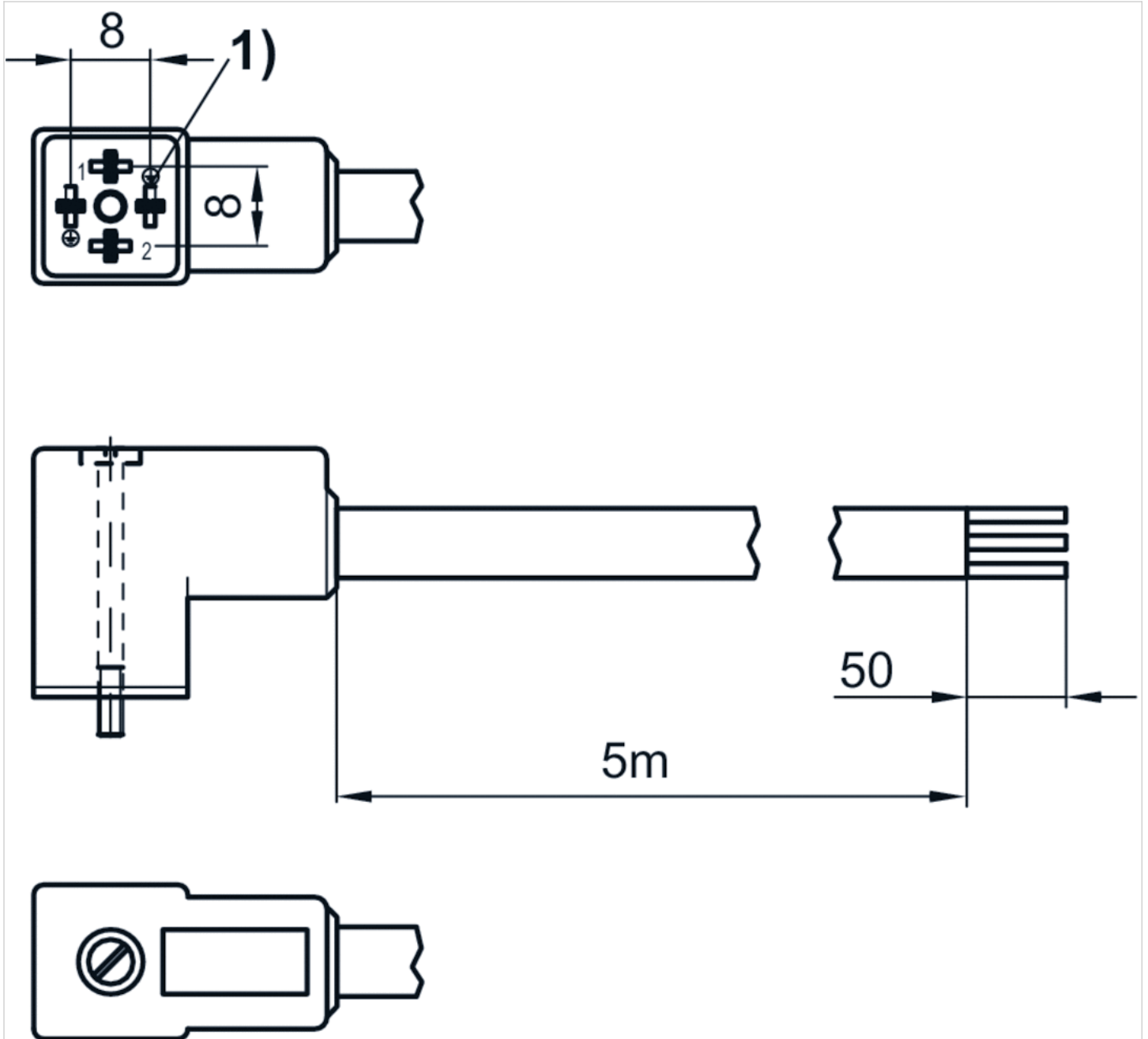
The specified protection class is only valid in assembled and tested state.
For 24 V DC applications, a coding pin is required to protect against reverse polarity.

Technical information

Material	
Cable sheath	Polyvinyl chloride

Dimensions

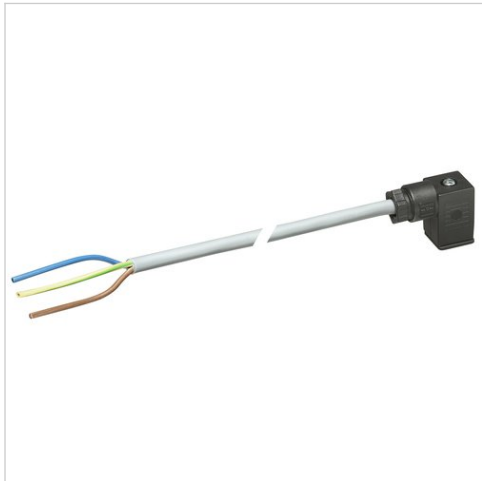
Dimensions



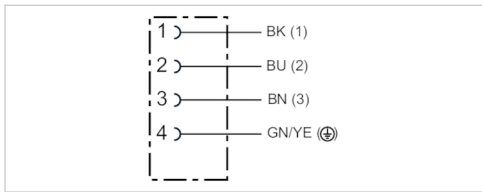
1) Coding pin

Valve plug connector, series CON-VP

- Socket form C 3+E angled 90°
- open cable ends 4-pin
- with cable
- unshielded



Operational voltage	24 V AC/DC
Protection class	IP67
Wire cross-section	0.34 mm ²
Weight	0.295 kg



Technical data

Part No.	Max. current	Contact assignment	Number of wires	Cable length
8946201602	4 A	3+E	4	5 m

Technical information

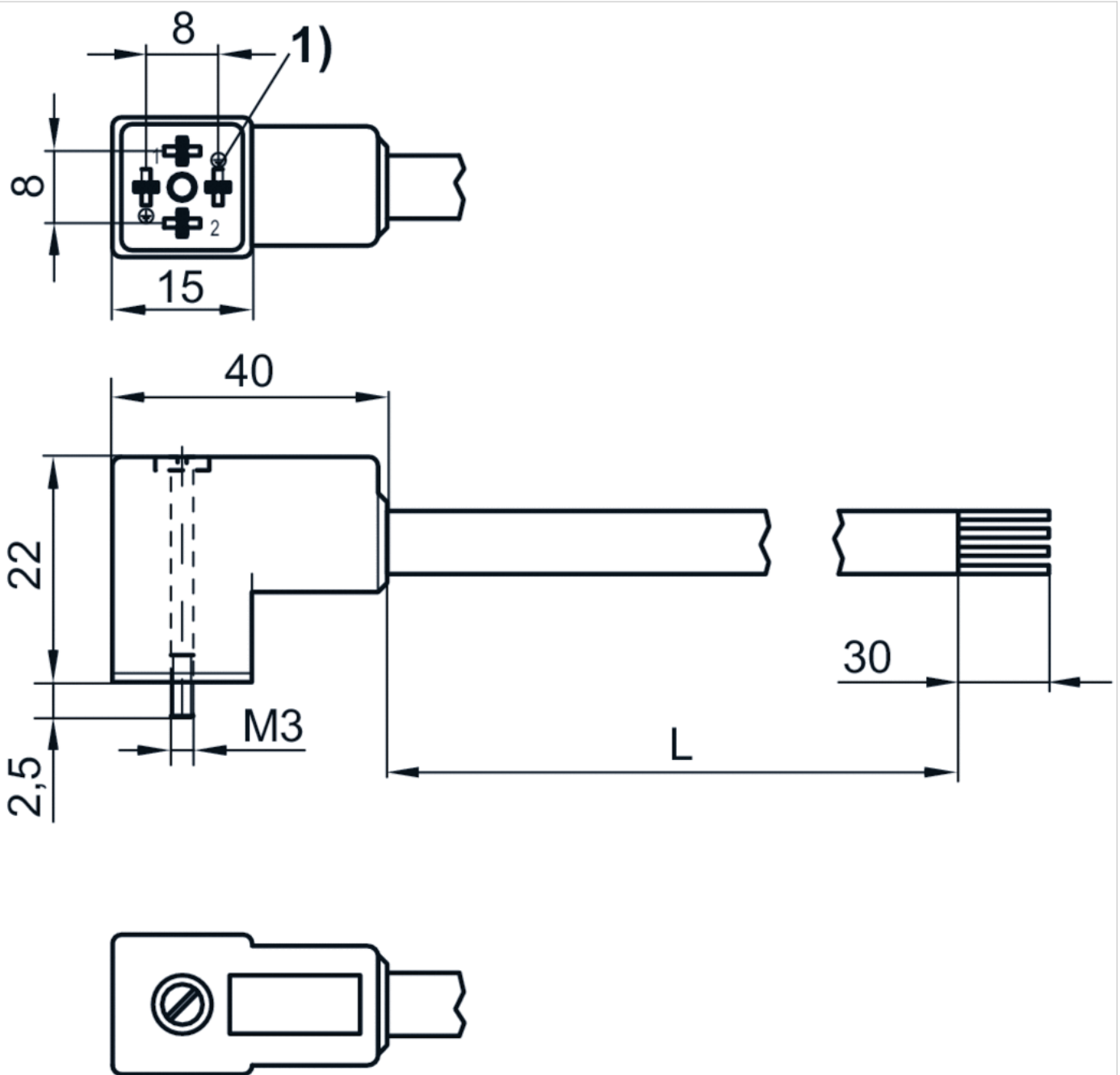
The specified protection class is only valid in assembled and tested state.

Technical information

Material	
Cable sheath	Polyvinyl chloride

Dimensions

Dimensions

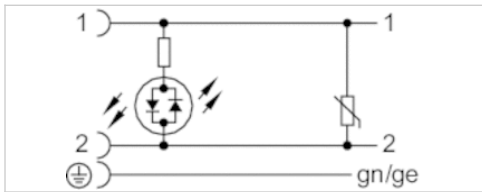


Valve plug connector, series CON-VP

- Socket form C, industry 4-pin angled 90°
- open cable ends 3-pin
- with cable
- unshielded



Ambient temperature min./max.	-25 ... 90 °C
Operational voltage	24 V AC/DC
Protection class	IP65
Protective circuit	Varistor
Wire cross-section	0.5 mm ²
Mounting screw tightening torque	0.4 Nm
Weight	0.12 kg



Technical data

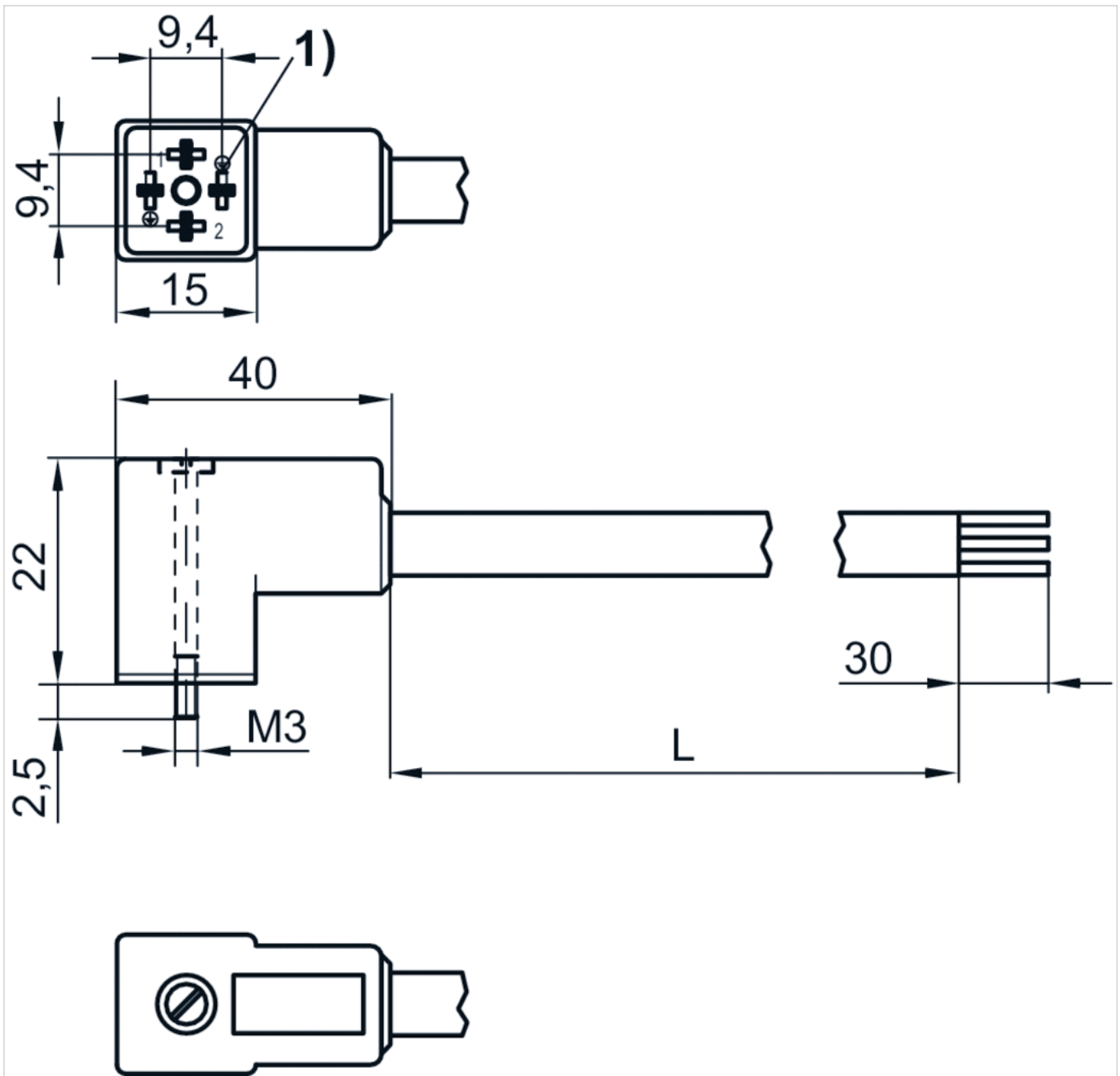
Part No.	Max. current	Contact assignment	LED status display	Number of wires	Cable length
R412024833	1.5 A	2+E	Yellow	3	3 m
R412024834	1.5 A	2+E	Yellow	3	5 m
R412024835	1.5 A	2+E	Yellow	3	10 m

Technical information

Material	
Housing	Polyamide
Seals	caoutchouc/butadiene caoutchouc
Cable sheath	Polyvinyl chloride

Dimensions

Dimensions



1) Coding pin
L = length

Efficient pneumatic solutions, our program: cylinders and drives, valves and valve systems, air supply management



Visit us: Emerson.com/Aventics

Your local contact: Emerson.com/contactus



Emerson.com



Facebook.com/EmersonAutomationSolutions



LinkedIn.com/company/Emerson-Automation-Solutions



Twitter.com/EMR_Automation

An example configuration is depicted on the title page. The delivered product may thus vary from that in the illustration. Subject to change. This Document, as well as the data, specifications and other information set forth in it, are the exclusive property of AVENTICS GmbH. It may not be reproduced or given to third parties without its consent. Only use the AVENTICS products shown in industrial applications. Read the product documentation completely and carefully before using the product. Observe the applicable regulations and laws of the respective country. When integrating the product into applications, note the system manufacturer's specifications for safe use of the product. The data specified only serve to describe the product. No statements concerning a certain condition or suitability for a certain application can be derived from our information. The information given does not release the user from the obligation of own judgment and verification. It must be remembered that the products are subject to a natural process of wear and aging.

The Emerson logo is a trademark and service mark of Emerson Electric Co. Brand logotype are registered trademarks of one of the Emerson family of companies. All other marks are the property of their respective owners. © 2017 Emerson Electric Co. All rights reserved.
2019-03



CONSIDER IT SOLVED™



青岛秉诚自动化设备有限公司
地址：中国·青岛市重庆南路99号海尔云街甲3号楼7F

服务热线：4006-918-365
网址：<http://www.asco.store>

传真：(86-532)585-10-365
Email：sales@bechinas.com