

FEATURES

- Tank system using aluminium profile and end covers with CE approval according to Pressure Equipment Directive 2014/68/EU, modules B1+D
- For use in dust collector applications requiring high flow capacity and accurate process control
- Full immersed valve system with thermoplastic polyester elastomer (TPE) piston/diaphragm design offers highest peak pressure and best flow performance
- The high quality piston/diaphragm guarantees a long operating life and a large temperature range
- Possibility to apply different combinations of pitch distances and up to 24 valves
- Easy to connect to other tank systems. Service connections for different accessories such as: filter regulator, pressure gauge, safety valve and automatic/manual drain valve
- Several blow pipe connections available, such as: push-in, hose or male or female threaded
- Tanks are available in a direct control valve version with a selection of coil systems and voltages or as a remote control, single piston/diaphragm version for external pilot valves or pilot boxes
- The integral operators are provided with epoxy moulded F-class coils. Various optional waterproof and explosionproof solenoids for use in potentially explosive atmospheres according to Directive ATEX 2014/34/EU, Zones 21+22 can be mounted



GENERAL

Pressure inlet connection	ISO 228/1, G 1" female
Air operating pressure	min. 0,3, max. 8,5 bar
Safety pressure	12,2 bar
Flow rate	Kv 23,3 = 384 l/min
Ambient temperature range	-20°C to +85°C

Tank System

volume	0,200 dm ³ / cm
recommended min. tank volume	15 dm ³
min. pitch distance	end cap 110 mm; between valve 120 mm
maximum length	3000 mm

The tank system can be mounted in any position without affecting operation

fluids (*)	temperature range (TS)	seal materials (*)
air	-20 to +100 °C	TPE (thermoplastic polyester elastomer)

CONSTRUCTION

Tank	Anodised aluminium profile EN AW-6060 T66
Valve, outlet adapter	Die-cast aluminium GD-ALSi12 to EN 1706
End caps	Die-cast aluminium GD-ALSi12 to EN 1706
Spring	Stainless steel
Plugs	PA (polyamide)
Sealings & disc	NBR (nitrile)
Screws	Steel 8.8
Diaphragm	TPE
Shading coil	Copper

ELECTRICAL CHARACTERISTICS

Coil insulation class	F
Connector	Spade plug (cable Ø 6-10 mm)
Connector specification	3 x DIN 46244
Electrical safety	IEC 335
Standard voltages	DC (=): 24V
(Other voltages and 60 Hz on request)	AC (~): 24V - 120V - 230V / 50 Hz

coil type	nominal power ratings				operator temperature range (TS) (°C)	protection	replacement coil	
	inrush	holding		hot/cold			~	=
	~	~	=	~			=	
	(VA)	(VA)	(W)	(W)		230 V/50 Hz	24 V DC	
XM5-FB	14,5	11	6,3	-	-20 to +85	moulded IP65	400127-217	-
XM5-FI ⁽¹⁾	-	-	-	15 / 22			-	400127-642

(1) Intermittent duty, Relative Duty Time is 10%. Max. on time 1 min.

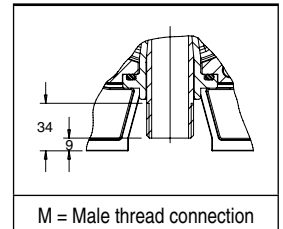
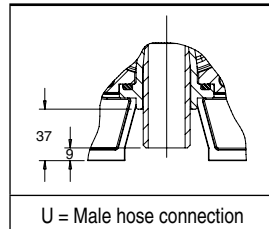
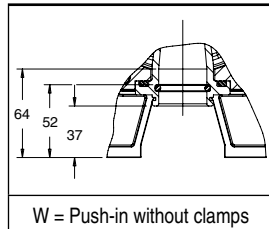
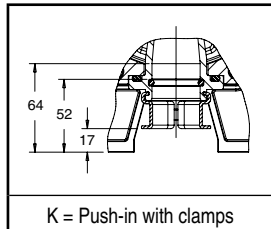
ALUMINIUM TANK SYSTEM

HOW TO ORDER

15-DIGIT PRODUCT CODE

	G	355	B	6	M	B	S	0000	F1	
Thread connection										Voltage - class
G = ISO 228/1										F1 = 24 DC - Class F
Product series										FL = 24/50 - Class F
355										FH = 230/50-60 - Class F
Revision letter										F2 = 120/60 - Class F
B										00 = All remote valves no voltage required
Diameter code / diaphragm material										Dimensions code
6 = 6" / Thermoplastic polyester elastomer (TPE)										Consult our Dynamic Product Modeling Tool on: www.asconumatics.eu
Outlet connection type										Dimension code for distance between valves and end caps is determined by ASCO
K = Push-in with clamps										Actuation
W = Push-in without clamps										1 = Remote single stage prepared for pilot box, incl. brackets; push in fittings; plastic tube
U = Male hose connection										3 = Remote control single stage
M = Male thread connection										5 = Remote single stage prepared for pilot box ATEX II G/D, incl. brackets; push in fittings; plastic tube
Number of valve stations										7 = Remote single stage ATEX II G/D
1 = 1										S = Solenoid operators SC IP65 ISO 4400
... ..										D = Solenoid operators SG ATEX 3D
A = 10										N = Solenoid operators NF ATEX 2G/D
B = 11										E = Solenoid operators EM ATEX 2G/D
C = 12										P = Solenoid operators PV ATEX 2G/D
D = 13										F = Solenoid operators EF NEMA 7+9 ICS-6 ANSI
E = 14										For more technical information see catalogue page "OPERATORS"
F = 15										
G = 16										
H = 17										
J = 18										
.										
.										
Q = 24										

OUTLET CONNECTION TYPES



ORDERING INFORMATION

DIMENSIONS (mm), WEIGHT (kg), VOLUME (l) 

Solenoid operated valve system
including spade plug connector ISO 4400, IP65, IEC 335

Fig. 1 (front view)

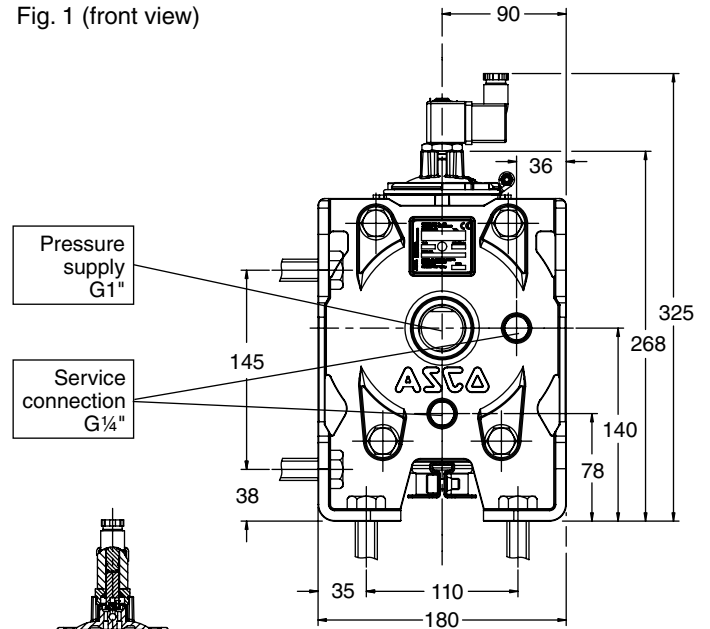
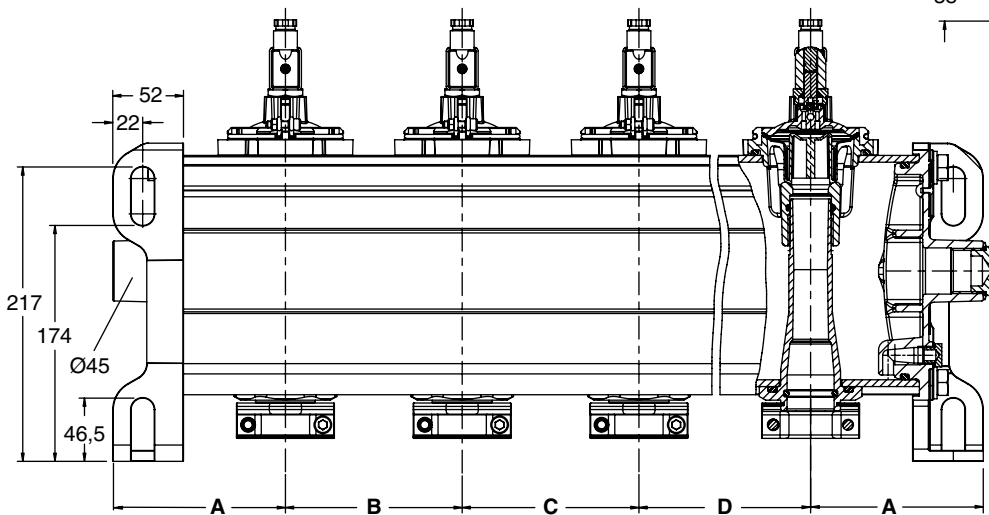


Fig. 2 (side view)



Example I: Dimension code for a 24 DC tank system with push-in outlet and 4 solenoid operated valves with built-in silencers:

Start distance	A =	min. 110 mm
Standard pitch	# valve =	min. 120 mm
End distance	A =	min. 110 mm
Total dimension		580 mm
Weight		13 kg
Volume		9 l
Order number		G355B6W4S0017F1

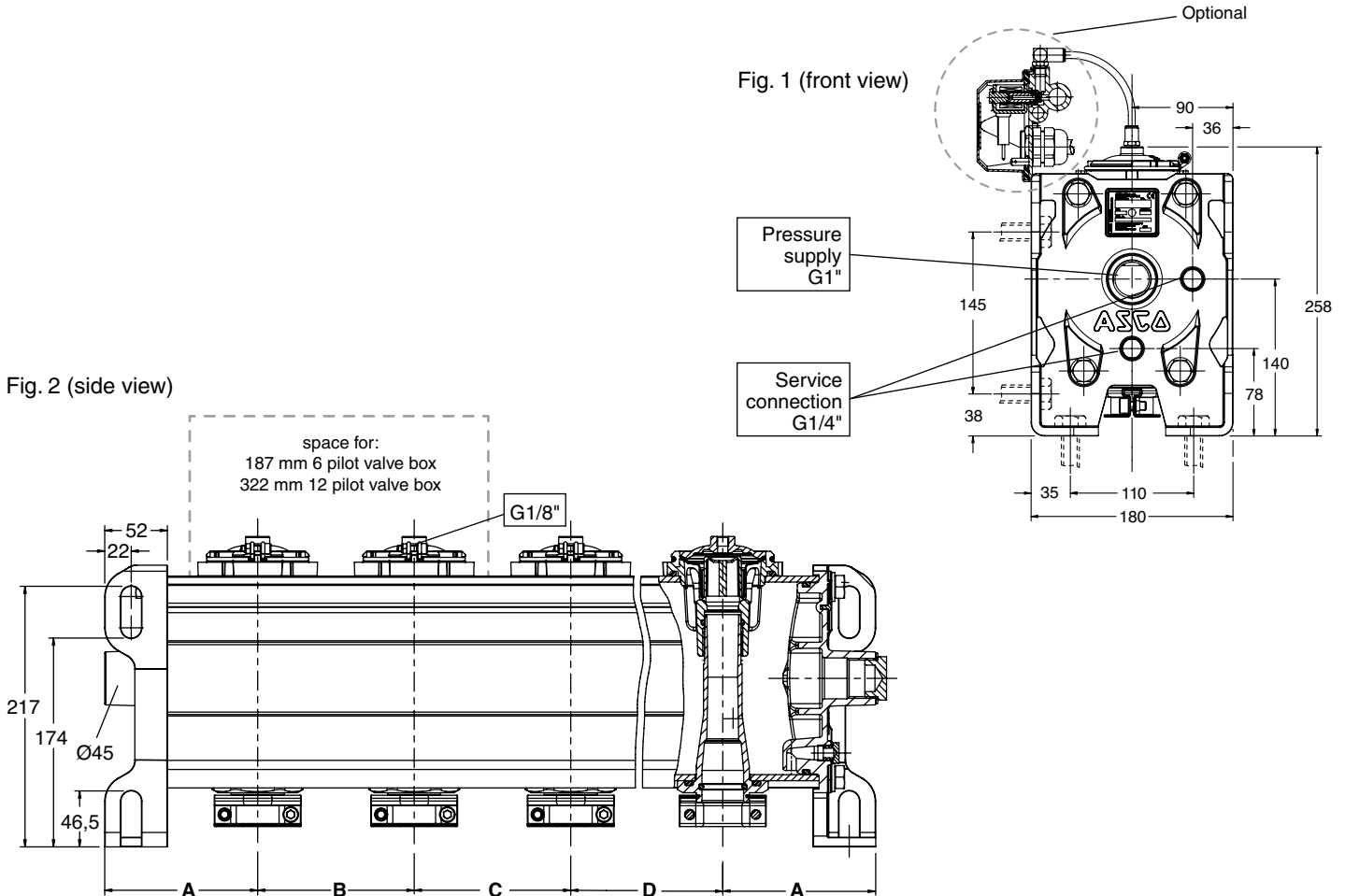
For assistance please consult our website: www.asconumatics.eu

60062GB-2013/R01
Availability, design and specifications are subject to change without notice. All rights reserved.

ORDERING INFORMATION

DIMENSIONS (mm), WEIGHT (kg), VOLUME (l) 

Remote operated valve system prepared for pilot box
including pilot box mounting brackets, push-in fittings and tubes for G 1/8" pilot box series 110



Example II: Dimension code for a 4 remote operated valve tank system prepared for pilot box with clamp outlet:

Start distance	A =	min. 110 mm
Standard pitch	# valve =	min. 120 mm
End distance	A =	min. 110 mm
Total dimension		580 mm
Weight		14 kg
Volume		9 l
Order number		G355B6K41001800

For technical information on ASCO pilot boxes see catalogue series 110
For assistance please consult our website: www.asconumatics.eu

OPTIONS

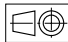
- Special customised executions
- Pilot boxes containing 2 to 12 pilot valves
- Separate pilot valves can be equipped with explosionproof solenoids for hazardous locations according to "ATEX" (CENELEC) and national standards
- Separate Quick Mount clamps for outlet connection; kit number: **C132-679**

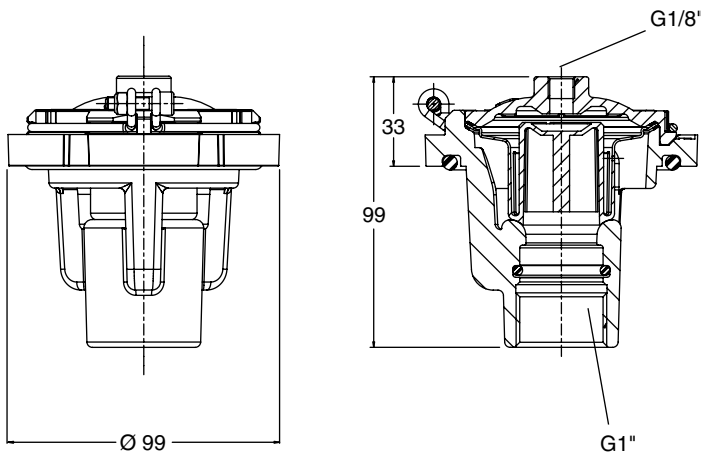
INSTALLATION

- The tank system can be mounted in any position without affecting operation using the brackets
- Pipe connection identifier is: G = according to ISO 228/1 or Ø for other outlet connections
- For Quick Mount types tightness is achieved by the O-ring sealing on the pipe (1" = Ø33,2 to 34,2) according to ISO 4200
- When connecting piping or tubing to the G1/8 connection in the valve bonnet, the remote ASCO pilot valve should be mounted as close as possible to the main pulse valve. Connection tubing lengths of 3 meter or less have little effect on the pulse response. Installations with over 3 meter of tubing must be tested under actual operating conditions. Tubing with Ø 6 mm is recommended for all installations
- Installation/maintenance instructions are included with each tank system
- Spare valves and spare parts kits are available

SEPARATE / SPARE POWER PULSE VALVES

FEATURES - (same as for the tank system)

DIMENSIONS (mm), WEIGHT (kg) 



SPECIFICATIONS

pipe size	catalogue number	weight
(G) Female threaded connection (ISO 228/1)		
1"	E353A231	0,428

SPARE PARTS KITS

designation	spare parts kit no.
Remote operated valve	C139420

60062GB-2013/R01
Availability, design and specifications are subject to change without notice. All rights reserved.

All leaflets are available on: www.asconumatics.eu

OPTIONS

- Special customised executions
- Waterproof enclosures with embedded screw terminal coil according to protection class IP67, CEE 10
- Explosionproof solenoids for hazardous locations according to "ATEX" and national standards
- Separate Quick Mount clamps for outlet connection; kit number: **C132-679**

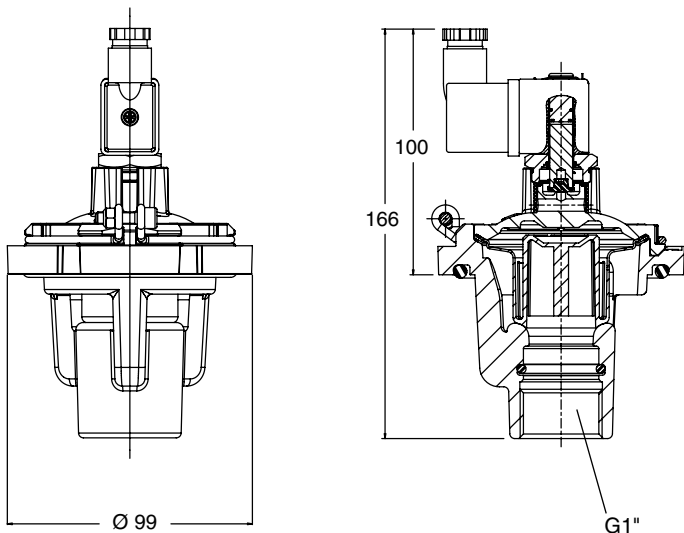
INSTALLATION

- The tank system can be mounted in any position without affecting operation using the brackets
- Pipe connection identifier is: G = according to ISO 228/1 or Ø for other outlet connections
- For Quick Mount types tightness is achieved by the O-ring sealing on the pipe (1" = Ø33,2 to 34,2) according to ISO 4200
- Installation/maintenance instructions and declaration of conformity are included with each tank system
- Spare valves, spare parts kits and coils are available

SEPARATE / SPARE POWER PULSE VALVES

FEATURES - (same as for the tank system)

DIMENSIONS (mm), **WEIGHT** (kg)



SPECIFICATIONS

pipe size	catalogue number	weight
(G) Female threaded connection (ISO 228/1)		
1"	SC E353A237	0,558

SPARE PARTS KITS

designation	spare parts kit no.
Solenoid operated valve (~/=)	C139417