

FEATURES

- Tank system using aluminium profile and end covers with CE approval according to Pressure Equipment Directive 2014/68/EU, modules B1+D
- For use in dust collector applications requiring high flow capacity and accurate process control
- Full immersed valve system with polychloroprene (CR) diaphragm design offers highest peak pressure and best flow performance
- The high quality polychloroprene (CR) diaphragm guarantees a long operating life and a large temperature range
- Possibility to apply different combinations of pitch distances and up to 18 valves
- Easy to connect to other tank systems. Service connections for different accessories such as: filter regulator, pressure gauge, safety valve and automatic/manual drain valve
- Several blow pipe connections available, such as: Quick Mount, push-in, hose or male or female threaded
- Tanks are available in a direct control valve version with a selection of coil systems and voltages or as a remote control, single or double diaphragm version for external pilot valves or pilot boxes
- The integral operators are provided with epoxy moulded F-class coils. Various optional explosionproof solenoids for use in potentially explosive atmospheres according to Directive ATEX 2014/34/EU, Zones 21+22 can be mounted



GENERAL

Pressure inlet connection	ISO 228/1, G 1 1/2" female
Air operating pressure	min. 1,0 max. 8,0 bar
Safety pressure	12,2 bar
Flow rate	Kv 43,3 = 724 l/min
Ambient temperature range	-20°C to +85°C

Tank System

volume	0,314 dm ³ / cm
recommended min. tank volume	15 dm ³
min. pitch distance	end cap 110 mm for bracket 120 mm; between valve 160 mm
maximum length	3000 mm

The tank system can be mounted in any position without affecting operation

fluids	temperature range (TS)	diaphragm
air	-20 to +100 °C	CR (polychloroprene)

CONSTRUCTION

Tank	Anodised aluminium profile EN AW-6060 T66
Valve, outlet adapter	Die-cast aluminium GD-ALSi12 to EN 1706
End caps	Die-cast aluminium GD-ALSi12 to EN 1706
Spring	Stainless steel
Plugs	PA (polyamide)
Sealings & disc	NBR (nitrile)
Screws	Steel 8.8
Diaphragm	CR (optionally FPM or TPE)
Mounting brackets	stainless steel AISI 304 (1.4301)
Shading coil	Copper

ELECTRICAL CHARACTERISTICS

Coil insulation class	F
Connector	Spade plug (cable Ø 6-10 mm)
Connector specification	3 x DIN 46244
Electrical safety	IEC 335
Standard voltages	DC (=) : 24V
(Other voltages and 60 Hz on request)	AC (~) : 24V - 120V - 230V / 50 Hz

coil type	nominal power ratings				operator temperature range (TS) (°C)	protection	replacement coil	
	inrush ~ (VA)	holding ~ (VA) (W)		hot/cold = (W)			~ 230 V/50 Hz	= 24 V DC
		23	10,1					
RHII-MXX-FT	55	23	10,1	-	-20 to +85	moulded IP65	238613-159	-
RHII-MXX-FB	-	-	-	15 / 22,6			-	238713-106

All leaflets are available on: www.asconumatics.eu

ALUMINIUM TANK SYSTEM

HOW TO ORDER

15-DIGIT PRODUCT CODE

G 355 B 8 M B S 0000 F1

Thread connection
G = ISO 228/1

Product series
355

Revision letter
B

Diameter code / diaphragm material
8 = 8" / Polychloroprene (CR)
F = 8" / Fluoroelastomer (FPM)
C = 8" / Thermoplastic polyester elastomer (TPE)
Only for single stage remote version

Outlet connection type
K = Push-in with clamps
W = Push-in without clamps
U = Male hose connection
M = Male thread connection
F = Female thread connection

Number of valve stations
1 = 1
... ..
A = 10
B = 11
C = 12
D = 13
E = 14
F = 15
G = 16
H = 17
J = 18

Voltage - class

- F1 = 24 DC - Class F
- FL = 24/50 - Class F
- FH = 230/50-60 - Class F
- F2 = 120/60 - Class F
- 00 = All remote valves no voltage required

Dimensions and option code

Consult our Dynamic Product Modeling Tool on: www.asconumatics.eu
Mounting brackets (2 or 3) depending on total weight
Silencer for double stage valves

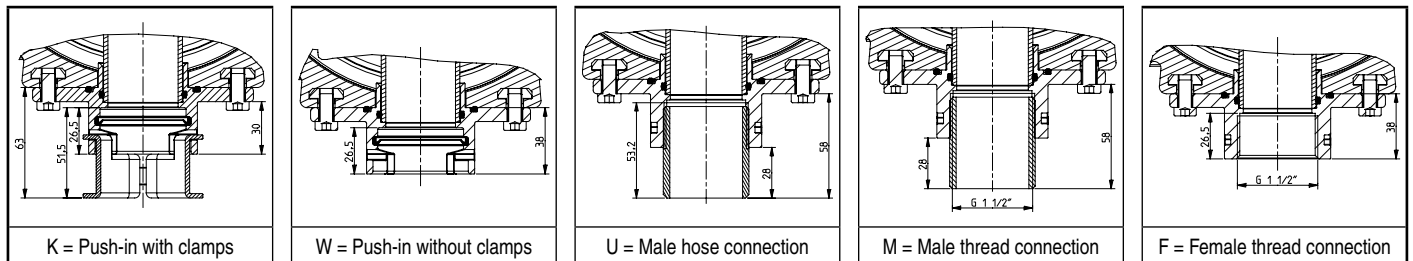
Pitch/dimensions

Dimension code for distance between valves, end caps and mounting brackets is determined by ASCO

Actuation

- 1 = Remote single stage prepared for pilot box, incl. brackets; push in fittings; plastic tube
 - 2 = Remote double stage prepared for pilot box, incl. brackets; push in fittings; plastic tube
 - 3 = Remote control single stage
 - 4 = Remote control double stage
 - 5 = Remote single stage prepared for pilot box ATEX II G/D
 - 6 = Remote double stage prepared for pilot box ATEX II G/D
 - 7 = Remote control single stage ATEX II G/D
 - 8 = Remote control double stage ATEX II G/D
 - S = Solenoid operators SC IP65 ISO 4400
 - D = Solenoid operators SG ATEX 3D
 - N = Solenoid operators NF ATEX 2G/D
 - E = Solenoid operators EM ATEX 2G/D
 - P = Solenoid operators PV ATEX 2G/D
 - F = Solenoid operators EF NEMA 7+9 ICS-6 ANSI
- For more technical information see catalogue page "OPERATORS"

OUTLET CONNECTION TYPES



SPARE PARTS KITS

designation	spare parts kit no.
Double remote operated valve	C113826
Solenoid operated valve	C113827
Spare parts for valve sealings	M200336A00
Spare parts kit for pilot box mounting brackets	M200337A00
Fastening kit	P355BA433942001

All leaflets are available on: www.asconumatics.eu

ORDERING INFORMATION

DIMENSIONS (mm), WEIGHT (kg), VOLUME (l) 

Solenoid operated valve system
including spade plug connector ISO 4400, IP65, IEC 335

Fig. 1 (front view)

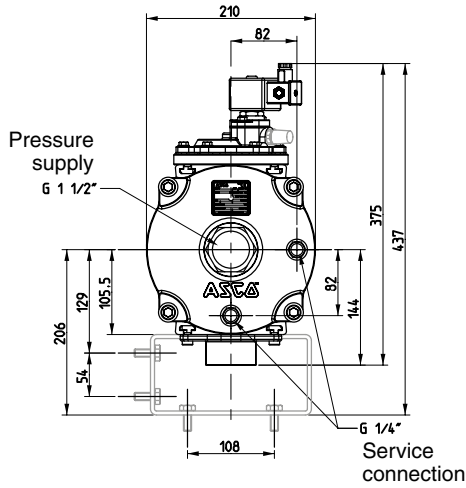
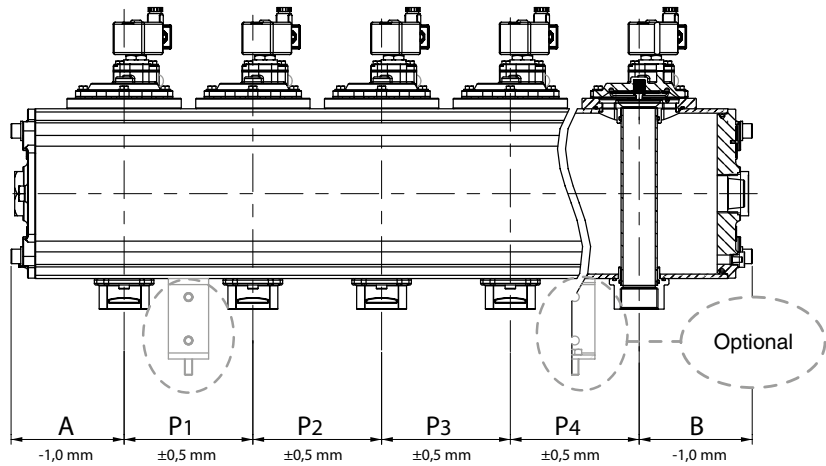


Fig. 2 (side view)



Example I: Dimension code for a 5 solenoid operated valve 24 DC tank system with push-in outlet:

Start distance	A = 125 mm
Standard pitch	P = 1+2+3+4 = 175 mm
End distance	B = 125 mm
Total dimension	950 mm
Weight	27 kg
Volume	26 l
Order number	G355B8W5S0015F1

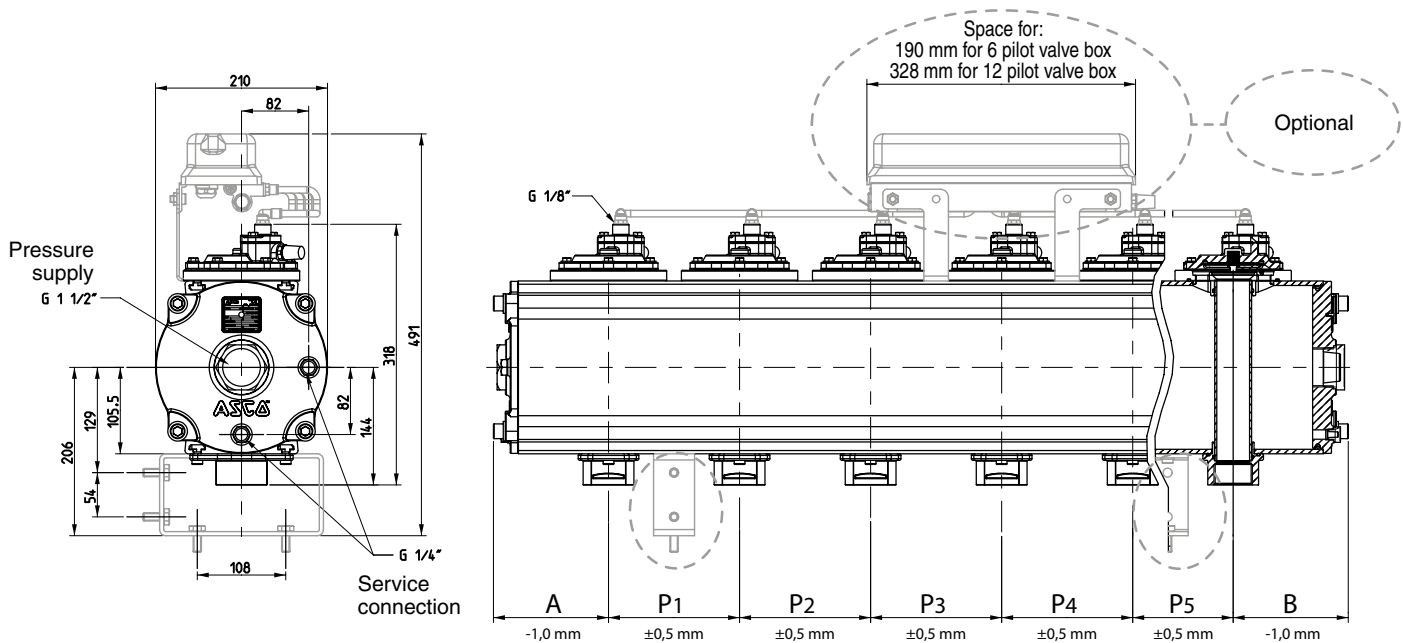
For assistance please consult our website: www.asconumatics.eu

60063GB-2013/R01
Availability, design and specifications are subject to change without notice. All rights reserved.

ORDERING INFORMATION
DIMENSIONS (mm), WEIGHT (kg), VOLUME (l)
Remote double staged operated valve system prepared for pilot box
 including pilot box mounting brackets, push-in fittings and tubes for G 1/8" pilot box series 110

Fig. 1 (front view)

Fig. 2 (side view)


Example II: Dimension code for a 6 double remote operated valve tank system prepared for pilot box with clamp outlet:

Start distance	A = 137 mm
Standard pitch	P = 1+2+4+5 = 190 mm
Deviating pitch	P = 3 = between valve 3 and 4 = 260 mm
End distance	B = 137 mm
Total dimension	1294 mm
Weight	34 kg
Volume	37 l
Order number	G355B8K62001600

 For technical information on ASCO pilot boxes see catalogue series 110
 For assistance please consult our website: www.asconumatics.eu
OPTIONS

- Special customised executions
- Valve can be supplied with FPM (fluoroelastomer) and TPE (thermoplastic polyester elastomer) diaphragms.
- Waterproof enclosures with embedded screw terminal coil according to protection class IP67, CEE 10
- Explosionproof solenoids for hazardous locations according to "ATEX" and national standards
- Explosionproof and watertight solenoids according to "NEMA" standards
- Separate Quick Mount clamps for outlet connection; kit number: **C117-290**

INSTALLATION

- The tank system can be mounted in any position using the standard brackets (M8 bolts recommended) without affecting operation.
- Pipe connection identifier is: G = according to ISO 228/1 and ISO 7/1, or Ø for other outlet connections
- For Quick Mount types tightness is achieved by the O-ring sealing on the pipe (1 1/2" = Ø47,8 to 48,8) according to ISO 4200.
- When connecting piping or tubing to the G 1/8" or G 1/4" connection in the valve bonnet, the remote ASCO pilot valve should be mounted as close as possible to the main pulse valve. Connection tubing lengths of 3 meters or less have little effect on the pulse response. Installations with over 3 meters of tubing must be tested under actual operating conditions. Tubing with Ø6 or Ø8 mm O.D. is recommended for all installations.
- Installation/maintenance instructions and declaration of conformity are included with each tank system.
- Spare parts kits and coils are available.