

## FEATURES

- Spool valve protected against food and beverage environment thanks to stainless steel screws and IP67 protection
- The valves offer environmental protection against the ingress of liquids, dusts or other foreign matter (environmentally protected construction)
- A reliable actuator pilot with the holes facing downwards and a moisture resistance

## GENERAL

<b>Fluids</b>	Air or neutral gas, filtered, lubricated or not
<b>Operating pressure</b>	2 to 10 bar
<b>Ambient temperature</b>	-25°C to +60°C
<b>Flow (Qv to 6 bar)</b>	5/2 860 l/min (ANR) - Kv : 12,5

## CONSTRUCTION

### SPOOL VALVE

<b>Body</b>	Aluminium, black anodized
<b>Internal parts</b>	Zinc diecast, stainless steel, POM (polyacetal), aluminium
<b>Seals</b>	NBR (nitrile) and PUR (polyurethane)
<b>Screws</b>	Stainless steel 316L

### PILOT VALVE

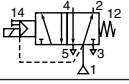
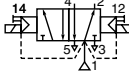
<b>Seals</b>	NBR (nitrile) and PUR (polyurethane)
<b>Electrical safety</b>	IEC 335
<b>Coil and magnetic circuit</b>	Encapsulated monobloc design
<b>Exhaust</b>	Tapped M5 exhaust port, equipped with exhaust protection



## ELECTRICAL CHARACTERISTICS

	voltage	consumption		insulation class	protection degree	electrical connection
		inrush	holding			
~	24V - 48V - 115V - 230V / 50Hz	6 VA	3,5 VA (2,5 W)	F	IP 65	spade plug connector size 22 EN 175301-803, industry standard form B (11 mm) with cable length of 2m
=	24V - 48V	2,5 W				

## SPECIFICATIONS

function symbol	operators solenoid air pilot (14) return (12)	catalogue number with coil & connector	(M)
5/2 	spring return	SCG551A097MS	●
	solenoid air return 	SCG551A098MS	●

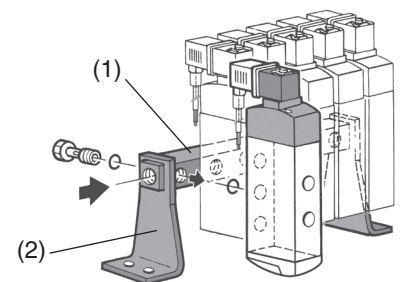
(M) Type of manual operator on pilot(s): ● : maintained

## ACCESSORIES

### • Supply rails

	supply rail supplied with seals and banjo bolts (without mounting brackets) (1)	supply rail with isolation valves - allows isolation of one or more spool valves from the main pressure supply
<b>supply rail for «n» valves</b>	G 1/4	G 1/4
2	88100034	88100915
3	88100035	88100916
4	88100036	88100917
5	88100037	88100918
6	88100038	88100919
7	88100039	88100920
8	88100040	88100921

- Set of 2 mounting brackets (2) for supply rail - catalogue number : 88100049



(1) supply rail  
(2) mounting brackets (x2)

### OPTIONS

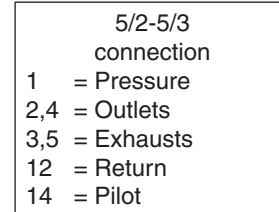
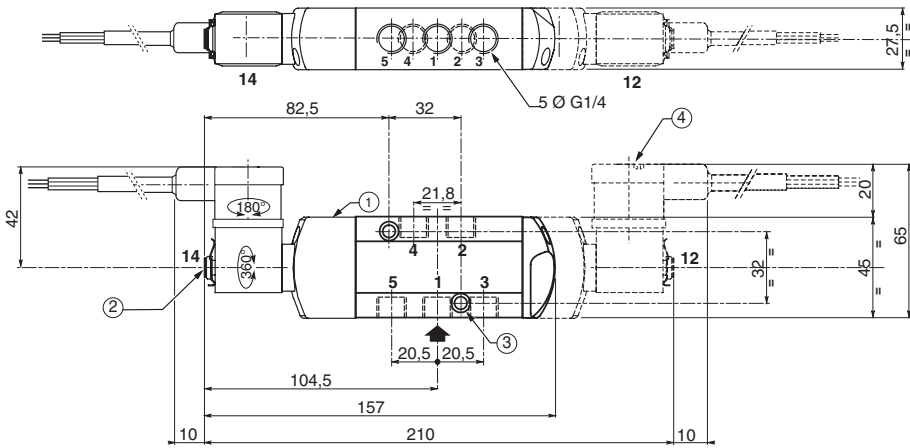
- Other voltages and 60 Hz on request
- Spade connector size 22, IP67 with integrated visual LED and varistor protection with PVC 0,75mm<sup>2</sup> cable length of 2 m: **88100937**
- Electrovalve with connector equipped with visual indicator and built-in electrical protection:

catalogue number of spool valve without connector + catalogue number of connector with visual indicator and built-in electrical protection (~ / =)

24V	48V	115V	230V
<b>88122405</b>	<b>88122406</b>	<b>88122407</b>	<b>88122410</b>

### DIMENSIONS (mm), WEIGHT (kg)

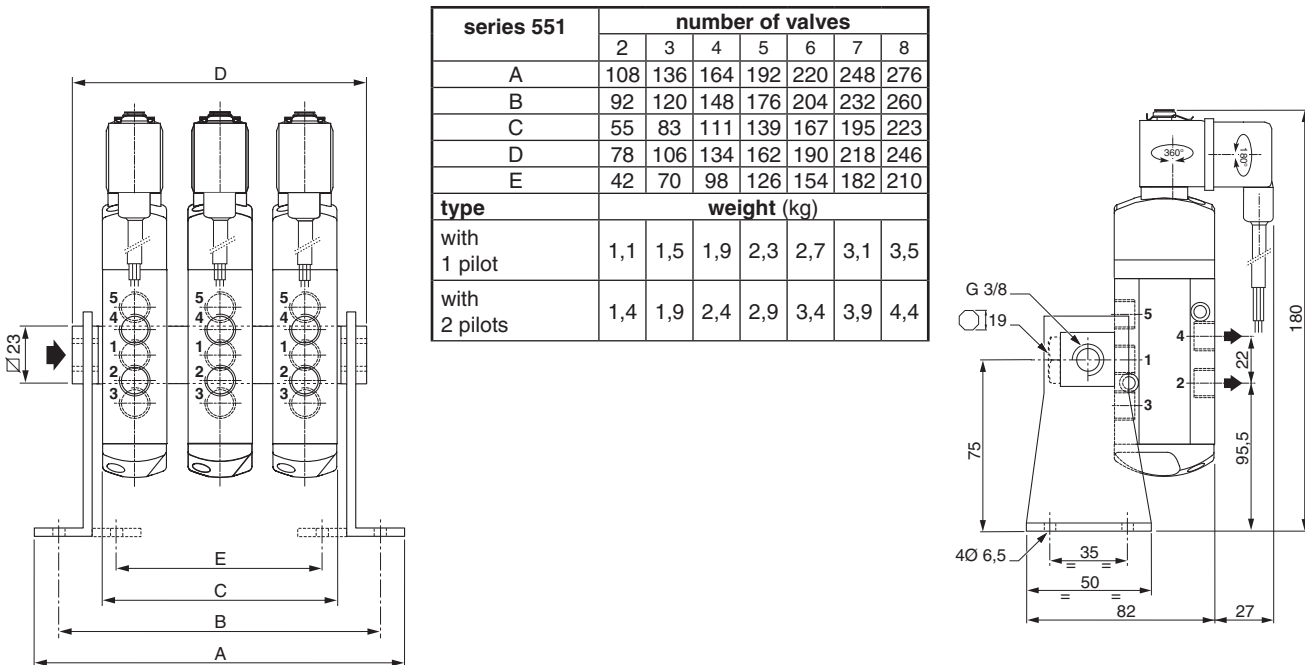
Weight: Spool valve + 1 pilot = 0,67 kg  
 Spool valve + 2 pilots = 0,73 kg



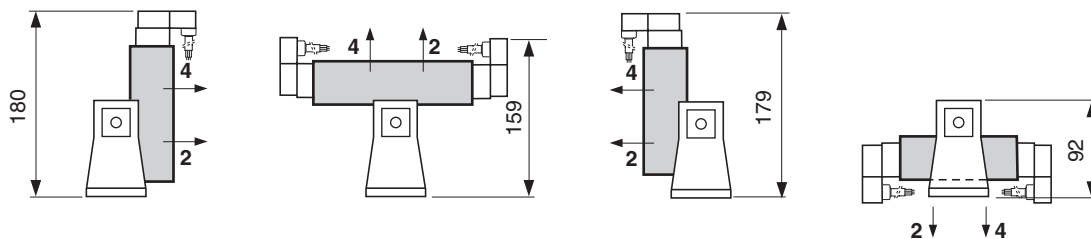
2 mounting holes:

- ① 5,3 mm dia. (Spotfacing: 9 mm dia., depth 5 mm)

### ASSEMBLY WITH COMMON SUPPLY RAIL



This mounting arrangement allows valves to be mounted in any of 4 positions



All leaflets are available on: [www.asco.com](http://www.asco.com)