

SPECIFICATIONS

| | |
|--------------------|--|
| FLUID | : air or neutral gas, filtered, lubricated (G 3/8) or not (G 1/4) |
| PORTS | : G 1/4 - G 3/8 |
| PRESSURE | : 0 to 10 bar |
| TEMPERATURE | : -25°C to +60°C |
| FLOW (Qv at 6 bar) | : see table below |

CONSTRUCTION

series 551

Environmentally-protected construction
Body G 1/4, treated aluminium
Internal parts: zinc diecasting, steel, stainless steel, acetal (POM)
Sealings: nitrile (NBR) and polyurethane (PUR)

series 552

Body G 3/8, in light alloy
Internal parts: stainless steel, light alloy
Sealings: nitrile (NBR)



| | |
|-----|------------|
| 1 | = Pressure |
| 2,4 | = Outlets |
| 3,5 | = Exhausts |

CHOICE OF EQUIPMENT

[Configurator - CAD Files](#)

| Symbols functions | Operators | | Ø ports | Flow at 6 bar l/min (ANR) | CODES |
|------------------------|------------------------|--------|---------|---------------------------|----------|
| | Pilot | Return | | | |
| LEVER OPERATED | | | | | |
| | Lever - Lever detented | | G 1/4 | 860 | 55102092 |
| | Lever 2 positions | | G 3/8 | 1610 | 55200036 |
| | Lever | Spring | G 1/4 | 860 | 55102093 |
| | | | G 3/8 | 1610 | 55200037 |
| PEDAL OPERATED | | | | | |
| | Pedal 2 positions | | G 1/4 | 860 | 55102094 |
| | Pedal | Spring | G 1/4 | 860 | 55102095 |
| BUTTON OPERATED | | | | | |
| | Buton | Spring | G 1/4 | 860 | 55102085 |
| | Button push-pull | | G 1/4 | 860 | 55102086 |

00404GB-2016/R01
Availability, design and specifications are subject to change without notice. All rights reserved.

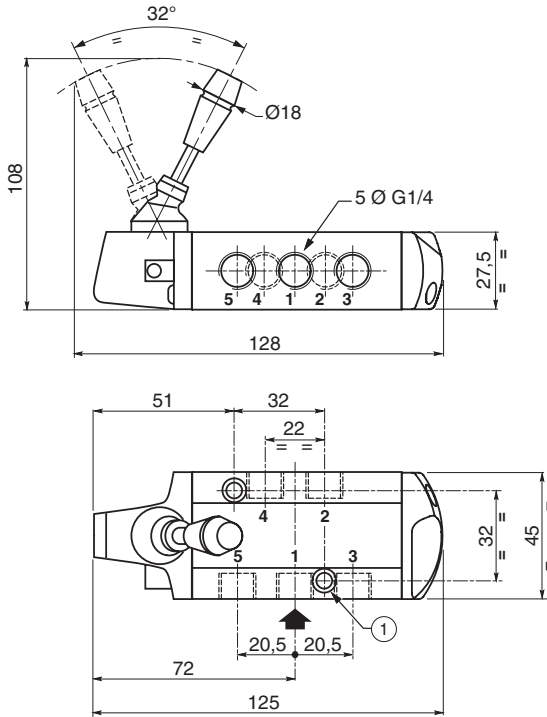
All leaflets are available on: www.asco.com

DIMENSIONS AND WEIGHTS

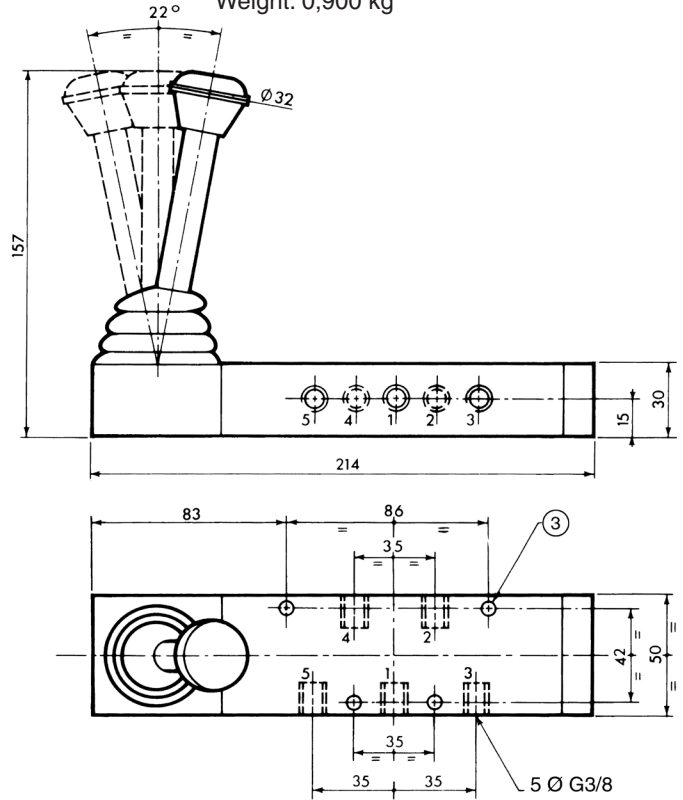
[Configurator - CAD Files](#)

VALVE LEVER OPERATED

Series 551 : ports G 1/4
Weight: 0,390 kg



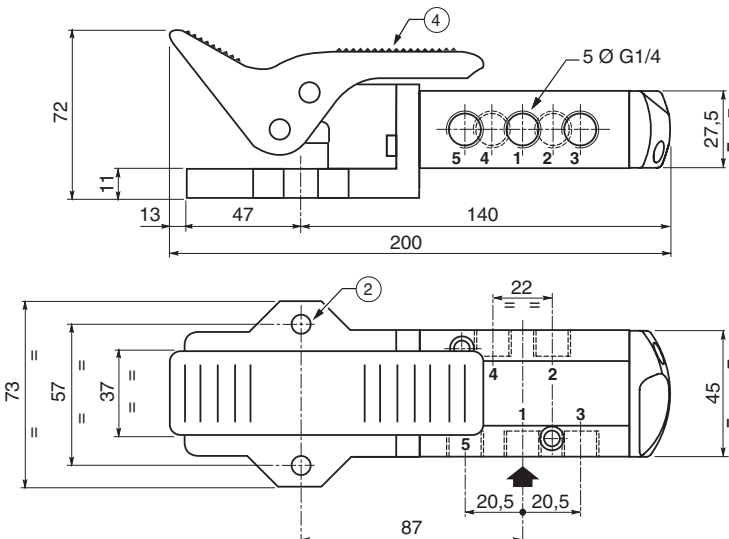
Series 552 : ports G 3/8
Weight: 0,900 kg



- ① 2 fixing holes: Ø 5,3 - counterbore : Ø 9, dept 5
- ② 2 fixing holes: Ø 8,5
- ③ 4 fixing holes: Ø 5,5
- ④ Return pedal 2 positions

VALVE PEDAL OPERATED

Series 551 : ports G 1/4
Weight: 0,545 kg



BUTTON, BUTTON PUSH-PULL

Series 551 : ports G 1/4
Weight: 0,265 Kg

