

FEATURES

SERVOTRONIC DIGITAL is a highly dynamical 3-way proportional valve with digital control particularly suitable for applications with constant flow.

SERVOTRONIC DIGITAL stands for:

- Digital communication and control
- Direct operated valve
- Dynamic behaviour (high speed)

A special feature of the **Servotronic DIGITAL** is its *DaS* software supplied for optimum adjustment over PC and viewing of setpoint and feedback signals. Other functions are valve diagnostics, parameter setting and maintenance.

SPECIFICATIONS

Fluids	: Air or neutral gas, filtered at 50 µm, condensate-free, lubricated or unlubricated
Ports	: G3/8
Maximum allowable pressure	: See table below
Pressure range	: See table below
Temperature / fluid	: 0...60 °C
Temperature / ambient	: 0...60 °C
Setpoint - analog	: 0 - 10 V (impedance 100 KΩ) 0 - 20 mA/4 - 20 mA (impedance 250 Ω)
Hysteresis	: 0,5 % of span
Linearity / pressure measurement	: ± 0,5 % of span
Repeatability	: ± 0,5 % of span

CONSTRUCTION

Direct operated poppet valve
Body: Aluminium
Internal parts: Stainless steel and brass
Seals: FPM and NBR

ELECTRICAL CHARACTERISTICS

nominal diameter DN (mm)	voltage *	max. power (W)	max. current (mA)	insulation class	degree of protection	electrical connection
8	24 V = +/-10%	20	810	F	IP 65	5-pin M12 connector

* Maximum ripple: 10 %

SPECIFICATIONS

Ø ports	Ø orifice DN (mm)	flow	
		K _v coefficient (Nm ³ /h)	at 6 bar (l/min - ANR)
G 3/8	8	1,45	1700

CATALOGUE NUMBER

6 1 5 3 7 0 A S I D P P

A: VERSION (connection), body
7 = Integrated electronics

S: SETPOINT
0 = 0 ... 10 Volt
1 = 0 ... 20 mA
2 = 4 ... 20 mA

I: FEEDBACK
1 = Feedback output 0 ... 10 Volt
2 = Feedback output 0 ... 20 mA
3 = Feedback output 4 ... 20 mA
4 = Feedback input 0 ... 10 Volt
5 = Feedback input 0 ... 20 mA
6 = Feedback input 4 ... 20 mA

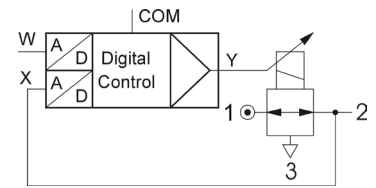
PP: PRESSURE RANGE

Relative pressure	Max. allowable pressure (bar)	Vacuum (relative)
40 = 0 - 100 mbar	2	V3 = 0 ... -1 bar shut-off valve
50 = 0 - 500 mbar	2	
60 = 0 - 1 bar	2	
02 = 0 - 2 bar	3	
03 = 0 - 3 bar	8	
05 = 0 - 5 bar	8	
06 = 0 - 6 bar	12	
10 = 0 - 10 bar	12	
12 = 0 - 12 bar	14	
16 = 0 - 16 bar ³⁾	18	
20 = 0 - 20 bar ³⁾	22	
3H = 0 - 30 bar ⁴⁾	40	
5H = 0 - 50 bar ⁴⁾	60	

³⁾Only for DN6
⁴⁾Only for DN6, Ms

D: DIGITAL OUTPUT

1 = Pressure switch output
PNP ± 5 %



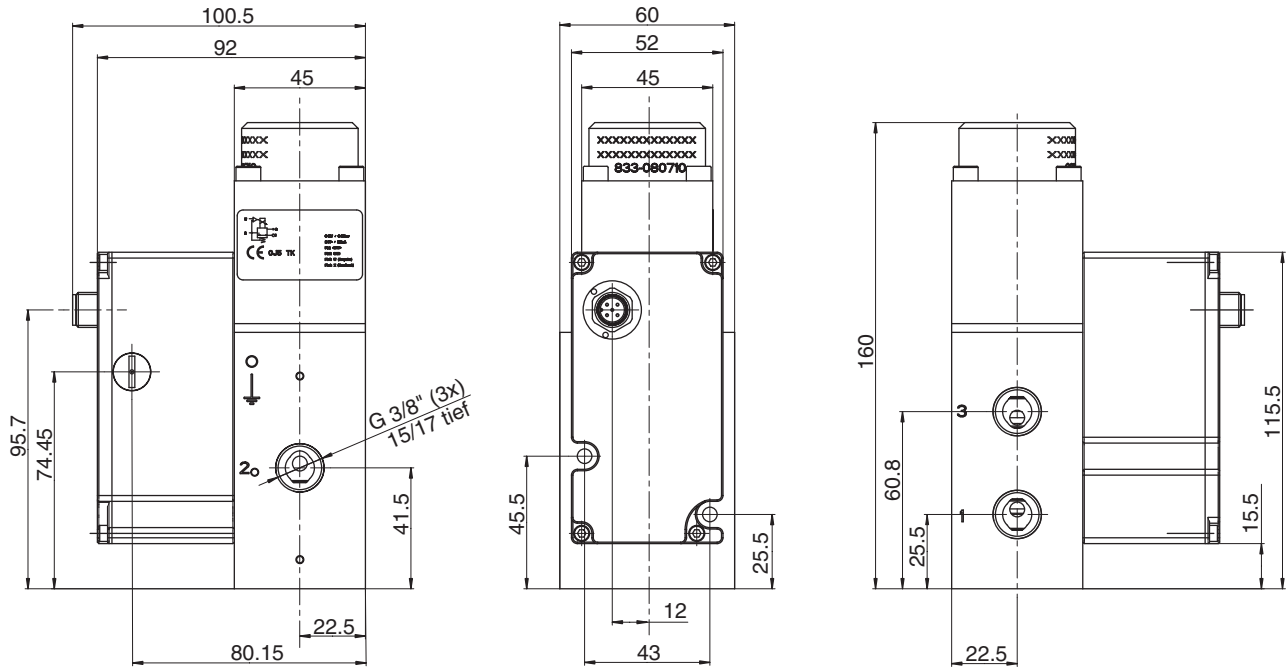
00584GB-2016/R01
Availability, design and specifications are subject to change without notice. All rights reserved.

Other versions available on request.

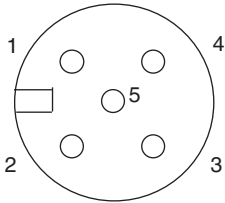
All leaflets are available on: www.asco.com

DIMENSIONS (mm), WEIGHT (kg)

Weight: 1,760 kg



CONNECTOR PINNING / CABLE WIRING



pin	description	5-wire cable (2m)	6-wire cable (5m, 10m)
1	24V voltage supply	brown	brown
2	Analog setpoint input	white	white
3	Supply ground	blue	green
	Analog ground *		yellow
4	Analog output (feedback)	black	pink
5	Digital output (pressure switch)	grey	grey
Body	EMC shield	Shield	Shield

*) A 6-wire cable with separate analog ground is used for cable lengths over 2 m to set off the voltage drop for the setpoint.

ACCESSORIES

description	catalogue number
Straight M12 female connector, 5 pins, with screw terminals	88100256
Right-angle M12 female connector, 5 pins, with screw terminals	88100725
Supply cable 2 m, 5x0,25 mm ² , straight connector	88100726
Supply cable 2 m, 5x0,25 mm ² , right-angle connector	88100727
Supply cable 5 m, 6x0,56 mm ² , straight connector	88100728
Supply cable 5 m, 6x0,56 mm ² , right-angle connector	88100729
Supply cable 10 m, 6x0,56 mm ² , straight connector	88100730
Supply cable 10 m, 6x0,56 mm ² , right-angle connector	88100731
RS-232 cable converter, 2 m cable with 9 pin Sub-D (plug connector)	88100732
RS-232 cable converter, 2 m cable with 9 pin Sub-D (screw connector)	88100970
DaS-Light, Data Acquisition Software for SERVOTRONIC DIGITAL , basic parameters - CD-ROM	99100110
DaS-Expert, Data Acquisition Software for SERVOTRONIC DIGITAL , full parameters - CD-ROM	99100111

All leaflets are available on: www.asco.com