

FEATURES

- Valves for combustible gas, stainless steel body
- Valves satisfy the Pressure Equipment Directive 2014/68/EU, EN 161 and satisfy the Regulation (EU) 2016/426 on gas appliances
EU type examination certificate no.: CERTIGAZ 1312CQ6072 (32 mm operator)
EU type examination certificate no.: CERTIGAZ 1312CP5992 (63 mm operator)
- All valves are for class D - Groupe 2 service and cover gas family 1 - 2 and 3
- High flow due to angled seat design - fluid entry under the disc
- High performance maintenance-free stuffing box

GENERAL

fluids	temperature range (TS)	disc seal
gas family 1 - 2 - 3	-10°C to +60°C	PTFE

Differential pressure 0 to 1 bar [1 bar =100 kPa]
Time for closing / for opening 1 s max. with pilot solenoid valve directly connected to valve operator

Pilot fluid Air
Max. pilot pressure 9 bar
Min. pilot pressure 5,5 bar (32 mm dia.) / 3,5 bar (63 mm dia.)
Pilot fluid temperature -10°C to +60°C

CONSTRUCTION

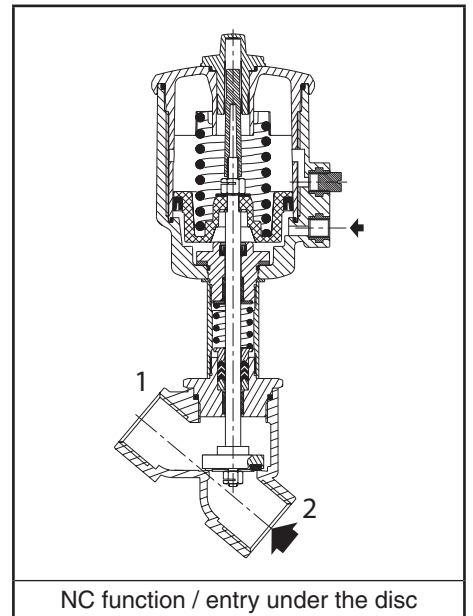
Valve body Stainless steel
Stuffing box packing PTFE chevrons
Disc seal PTFE
Operator Glass fibre filled PA
Pilot port insert Brass

PILOT SOLENOID VALVES SELECTION

- Must meet European low voltage directive and electromagnetic compatibility requirements
- Non-locking NC 3/2 versions (without manual operator)
- Must allow the main valve to close automatically as per standard EN 161

operator diameter (mm)	Kv (m ³ /h) min. ⁽¹⁾ through pilot valve required to		pilot valve recommended (without manual operator)	
	close the valve	open the valve	description	catalogue number
32/63	0,04	0,04	356 G1/8 Ø1,2	SCG356B061V

⁽¹⁾ Including pipe up to main valve.



SPECIFICATIONS

piping (ISO 6708)		flow coefficient Kv ⁽²⁾		pilot pressure (bar)		operating pressure differential (bar)		operator diameter (mm)	catalogue number	
pipe size	DN	(m ³ /h)	(l/min)	min.	max.	min.	max.		G*	NPT
G* / NPT										
NC - Normally closed, entry under the disc										
3/8	10	25	410	5,5	9	0	1	32	EGE290A791	EG8290A791
1/2	15	40	660	5,5	9	0	1	32	EGE290A792	EG8290A792
		60	1000	3,5	9	0	1	63	EGE290B045	EG8290B045
3/4	20	75	1250	5,5	9	0	1	32	EGE290A793	EG8290A793
		100	1650	3,5	9	0	1	63	EGE290B047	EG8290B047
1	25	190	3150	3,5	9	0	1	63	EGE290B051	EG8290B051
1 1/4	32	300	5000	3,5	9	0	1	63	EGE290A057	EG8290A057
1 1/2	40	390	6500	3,5	9	0	1	63	EGE290A063	EG8290A063
2	50	420	7500	3,5	7	0	1	63	EGE290A067	EG8290A067

⁽²⁾ For 100 mbar (DN15 to DN32) & 60 mbar (DN40) pressure drop air (reference density air at 1.013 mbar and 15°C).

OPTIONS (CERTIFIED EN 161)

- Signaling box with mechanical or inductive contacts [SM2/SI2 (www.asco.com)]
- Signaling box, intrinsically safe inductive contacts NAMUR [SH2 ATEX, (www.asco.com)]
- Positioner^D (www.asco.com)

INSTALLATION

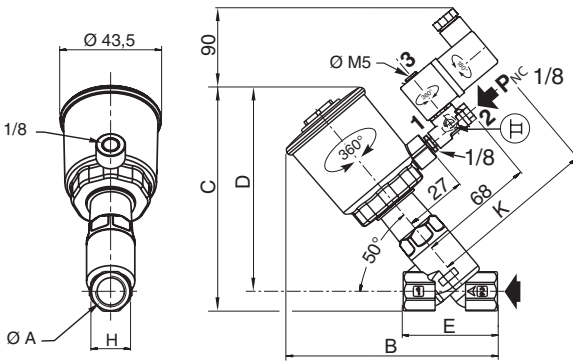
- Install strainer upstream of valve with a mesh size below 1.5 mm through which a 1 mm dia. rod cannot pass
- The valves can be mounted in any position without affecting operation
- Installation/maintenance instructions are included with each valve
- Spare parts kits are available

DIMENSIONS (mm), WEIGHT (kg)



TYPE 01

32 mm operator
Fluid entry:
under the disc at 2



type	operator diameter	ØA	B	C	D	E	H	K ⁽¹⁾	weight	
									⁽²⁾	⁽³⁾
01	32 mm	3/8	92	93	81,5	55	23,5	102	0,18	0,35
		1/2	99	97	81,5	65	28	102	0,23	0,4
		3/4	107	104,5	88	75	30	102	0,28	0,45

⁽¹⁾ Maximum size with pilot.

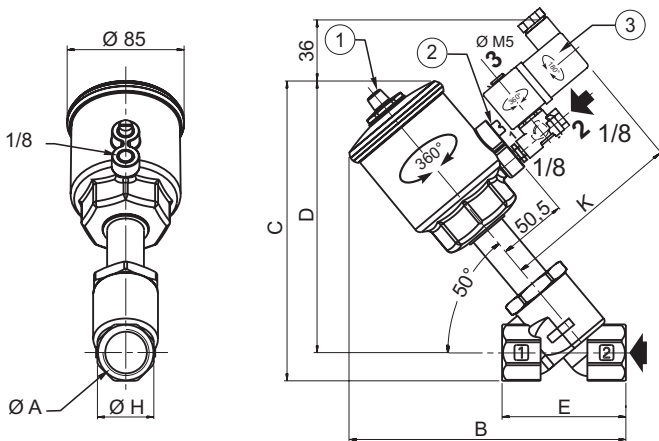
⁽²⁾ Weight of the valves without pilot.

⁽³⁾ Weight of the valves with pilot.



TYPE 02

63 mm operator
Fluid entry:
under the disc at 2



type	operator diameter	ØA	B	C	D	E	H	K ⁽¹⁾	weight	
									⁽²⁾	⁽³⁾
02	63 mm	1/2	170	182	169	65	27	125,5	1,2	1,37
		3/4	175	185	170	75	32	125,5	1,3	1,47
		1	179	192	172	90	41	125,5	1,7	1,87
		1 1/4	217	229	204	110	50	125,5	2,1	2,27
		1 1/2	224	245	215	120	60	125,5	2,9	3,07
		2	249	259	224	150	70	125,5	3,7	3,87

① Optical position indicator

② Filter-plug (non-removable)

③ Pilot solenoid valve despatched separately:
see preceding page

⁽¹⁾ Maximum size with pilot.

⁽²⁾ Weight of the valves without pilot.

⁽³⁾ Weight of the valves with pilot.

All leaflets are available on: www.asco.com