

## FEATURES

- The pulse valves are especially designed for dust collector service applications, combining high flow, long life and extremely fast opening and closing to produce reliable and economical operation
- The high flow, angle type bodies in combination with the special main diaphragm assemblies give the unique operating features required for dust collector service applications
- Integral compression fittings for fast, easy, secure installation
- Valves can be supplied according to ATEX Directive 2014/34/EU for non-electrical equipment
- The components satisfy all relevant EC directives

## GENERAL

**Differential pressure (PS)** 0,35 - 8,5 bar [1 bar = 100kPa]  
**Ambient temperature range** -20 to +85°C

fluids	temperature range (TS)	diaphragm
air	-20 to +85 °C	CR (chloroprene)
	-20 to +120 °C	FPM (fluoroelastomer)

## CONSTRUCTION

**Body** Aluminium  
**Springs** Stainless steel  
**Diaphragms** CR or FPM

## PILOT SOLENOID VALVES (2/2 NC function)

main pulse valves	remote pilot connection	recommended executions		
		orifice size (mm)	manifold pilot valves in a box (IP65)	single pilot valves (IP20)
G353A046 G353A063	G1/8	3,6	pilot box series <b>110</b> 2 to 12 valves 1/8	series 257
G353A048 G353A049 G353.058	G1/4	5,6	pilot box series <b>C20</b> 4 to 6 valves 1/4	series 262

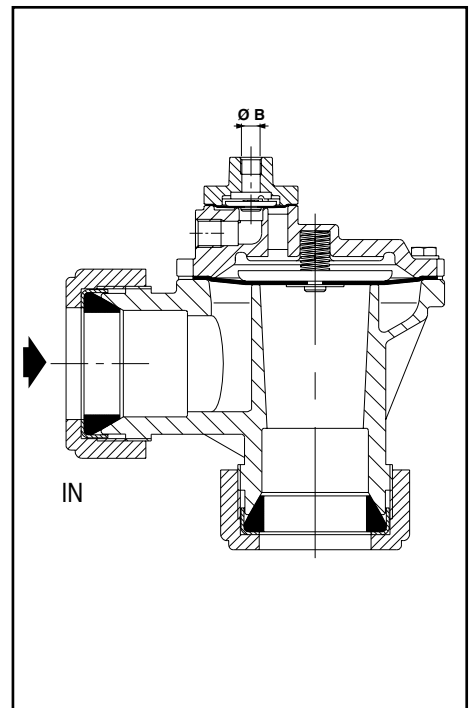


Figure shows catalogue number G353A046

## SPECIFICATIONS

pipe size	orifice size (mm)	flow coefficient Kv (m³/h) (l/min)		operating pressure differential (bar)		catalogue number		OPTION FPM
				min.	max. (PS)			
					air ~ / =			
<b>G - Threaded pipe connection</b>								
1 1/2	50	46	768	0,35	8,5	<b>G353A046</b> <sup>(1)</sup>	<b>G353A046 GD</b> <sup>(1)</sup>	V
2	66	77	1290	0,35	8,5	<b>G353A048</b> <sup>(2)</sup>	<b>G353A048 GD</b> <sup>(2)</sup>	V
2 1/2	66	92	1540	0,35	8,5	<b>G353A049</b> <sup>(2)</sup>	<b>G353A049 GD</b> <sup>(2)</sup>	V
<b>Ø - Compression fitting pipe connection</b>								
1 1/2	50	43	717	0,35	8,5	<b>G353A063</b> <sup>(1)</sup>	<b>G353A063 GD</b> <sup>(1)</sup>	V

<sup>(1)</sup> Contains spring above the main diaphragm  
<sup>(2)</sup> Spring above the main diaphragm on request

60159GB-2018/R01 Availability, design and specifications are subject to change without notice. All rights reserved.

### OPTIONS

- Valves can also be supplied with FPM (fluorelastomer) diaphragms and seal materials. Use the appropriate optional suffix letter for identification
- Sequential controller for pilot solenoid valves
- Pilot boxes containing 2 to 12 pilot solenoid valves
- Pilot solenoid valves can be equipped with explosionproof solenoids for hazardous locations according to "ATEX" and national standards

### INSTALLATION

- The valves can be mounted in any position without affecting operation (if <sup>(1)</sup> + <sup>(2)</sup> catalogue number)
- Threaded pipe connection is: G = G (ISO 228/1) or compression fittings
- When connecting piping or tubing to the G1/8 or G1/4 connection in the valve bonnet, the remote ASCO pilot valve should be mounted as close as possible to the main pulse valve. Connection tubing lengths of 3 meter or less have little effect on the pulse response. Installations with over 3 meter of tubing must be tested under actual operating conditions. Tubing with Ø 6 or Ø 8 mm O.D. is recommended for all installations
- For compression fitting types tightness is achieved by the compressed gasket on the blow tube
- Other pipe threads are available on request
- Installation/maintenance instructions are included with each valve

### SPARE PARTS KITS

catalogue number	Spare parts kit no.
	~/=
G353A046/063 (GD)	<b>C113826</b>
G353A048/049 (GD)	<b>C113684</b>

### DIMENSIONS (mm), WEIGHT (kg)

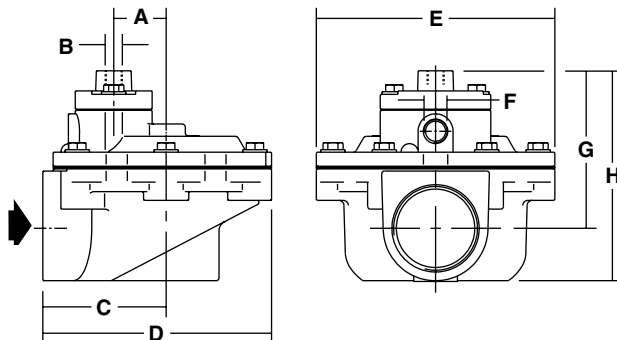


Fig.1 Threaded type

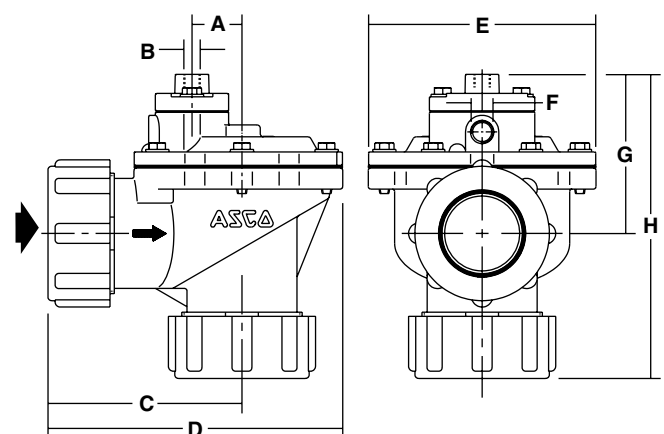


Fig.2 Compression fitting type

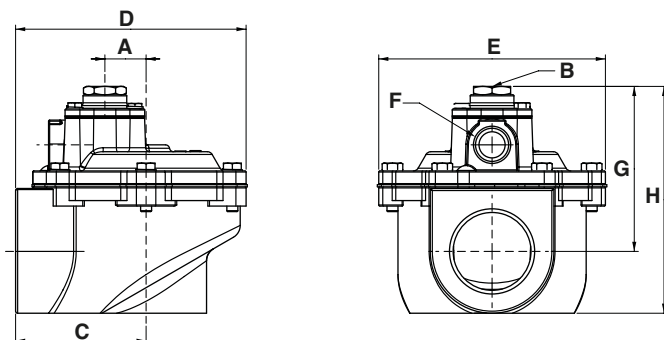


Fig. 3 Threaded type

catalogue number	A	B	C	D	E	F	G	H	weight	(C)
G353A046 (GD)	30	G 1/8"	71	130	136	G 3/8"	90	120	1,10	Abb.1
G353A048 (GD)	30	G 1/4"	95	168	165	G 3/4"	121	166	2,60	Abb.3
G353A049 (GD)	30	G 1/4"	95	168	165	G 3/4"	121	166	2,30	Abb.3
G353A063 (GD)	30	G 1/8"	87	177	136	G 3/8"	96	183	1,43	Abb.2

(C) construction type

All leaflets are available on: [www.asco.com](http://www.asco.com)