

FEATURES

- Special materials and handling procedures are used in the high vacuum valves to avoid molecular contamination
- The medium and high vacuum valves are mass spectrometer tested
- Aluminium bodied valves designed to provide maximum flow
- The valves are for the control of low pressure air and gases, compatible with the seal materials used
- The solenoid valves satisfy all relevant EU Directives

GENERAL

Differential pressure 1 bar absolute [1 bar = 100 kPa]
Response time 25 - 120 ms

fluids (*)	temperature range (TS)	seal materials (*)
air, inert gas	- 20°C to + 85°C	NBR (nitrile)
	0°C to + 90°C	FPM (fluoroelastomer)



MATERIALS IN CONTACT WITH FLUID

(*) Ensure that the compatibility of the fluids in contact with the materials is verified

Body	Aluminium
Core tube	Stainless steel
Core and plugnut	Stainless steel
Springs	Stainless steel
Seat	Aluminium
Seals, diaphragm & disc	NBR or FPM
Disc holder (NO function)	PA
Core guide	POM
Rider rings	PTFE
Shading coil	Copper

ELECTRICAL CHARACTERISTICS

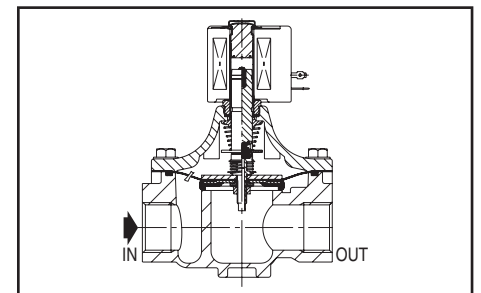
Coil insulation class F
Connector Spade plug (cable Ø 6-10 mm)
Connector specification ISO 4400 / EN 175301-803, form A
Electrical safety IEC 335
Electrical enclosure protection Moulded IP65 (EN 60529)
Standard voltages DC (=) : -
AC (~) : 24V - 48V - 115V - 230V / 50 Hz
(Other voltages and 60 Hz on request)

prefix option	power ratings				operator ambient temperature range (TS) (C°)	replacement coil		type ⁽¹⁾
	inrush ~	holding ~	hot/cold =			~	=	
	(VA)	(VA)	(W)	(W)				
SC	110	33,6	15,4	-	-20 to + 75	400525-117	-	01

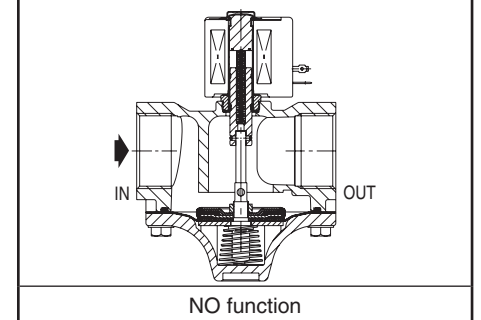
⁽¹⁾ Refer to the dimensional drawings on the following page.

SPECIFICATIONS

pipe size	orifice size	flow coefficient Kv		minimum absolute vacuum pressure (PS)	power coil (W)	catalogue number	
						NC Normally closed	NO Normally open
Rp	(mm)	(m³/h)	(l/min)	air (*) mbar (Torr)	~	=	~
Low vacuum range to 25 Torr, NBR seals							
1	41	18	300	33,3 (25)	15,4	-	SCE215B050 SCE215C053
1 1/4	41	27	450	33,3 (25)	15,4	-	SCE215B060 SCE215C063
1 1/2	41	30	500	33,3 (25)	15,4	-	SCE215B070 SCE215C073
2	53	50	833	33,3 (25)	15,4	-	SCE215B080 SCE215C083
Medium vacuum range to 10⁻³ Torr, NBR seals							
1	41	18	300	1,33.10 ⁻³ (10 ⁻³)	15,4	-	SCE215B050VM SCE215C053VM
1 1/4	41	27	450	1,33.10 ⁻³ (10 ⁻³)	15,4	-	SCE215B060VM SCE215C063VM
1 1/2	41	30	500	1,33.10 ⁻³ (10 ⁻³)	15,4	-	SCE215B070VM SCE215C073VM
2	53	50	833	1,33.10 ⁻³ (10 ⁻³)	15,4	-	SCE215B080VM SCE215C083VM
High vacuum range to 10⁻⁶ Torr, FPM seals							
1	41	18	300	1,33.10 ⁻⁶ (10 ⁻⁶)	15,4	-	SCE215B050VH SCE215C053VH
1 1/4	41	27	450	1,33.10 ⁻⁶ (10 ⁻⁶)	15,4	-	SCE215B060VH SCE215C063VH
1 1/2	41	30	500	1,33.10 ⁻⁶ (10 ⁻⁶)	15,4	-	SCE215B070VH SCE215C073VH
2	53	50	833	1,33.10 ⁻⁶ (10 ⁻⁶)	15,4	-	SCE215B080VH SCE215C083VH



NC function



NO function

OPTIONS

- Waterproof enclosure with embedded screw terminal coil according to protection class IP67, CEE-10
- Explosionproof enclosures for use in zones 1/21-2/22, categories 2-3 to ATEX Directive 2014/34/EU (www.asco.com)
- Electrical enclosures according to "NEMA" standards are available
- Compliance with "UL", "CSA" and other local approvals available on request
- Other pipe connections are available on request
- Connector with visual indication and peak voltage suppression or with cable length of 2 m (www.asco.com)

INSTALLATION

- The solenoid valves can be mounted in any position without affecting operation
- Pipe connection identifier is E = Rp (ISO 7/1)
- Installation/maintenance instructions are included with each valve

SPARE PARTS KITS & ACCESSORIES

catalogue number	spare parts kit no.	
	~	-
SCE215B050/B060/B070	C302352	-
SCE215B080	C302353	-
SCE215C053/C063/C073	C304691	-
SCE215C083	C304692	-

⁽¹⁾ Standard suffixes are also applicable to kits.

ORDERING EXAMPLES:

SC	E	215	B	060	230V / 50 Hz	
SC	E	215	B	070	VM	115V / 50 Hz
SC	E	215	C	053	VM	24V / 50 Hz
SC	E	215	C	073	VH	230V / 50 Hz

prefix — pipe thread — basic number — voltage — suffix

ORDERING EXAMPLES KITS:

C302352 ⁽¹⁾	VM
C302352	VH

basic number — suffix

DIMENSIONS (mm), WEIGHT (kg)



TYPE 01

Prefix "SC" Solenoid
Epoxy moulded
IEC 335 / ISO 4400
IP65

SCE215B050/B060/B070/B080

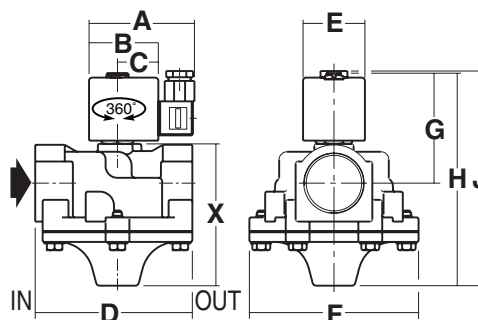
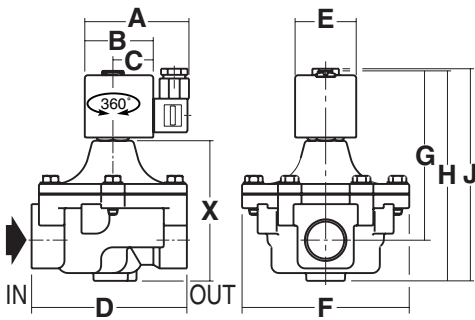
SCE215B050VM/B060VM/B070VM/B080VM

SCE215B050VH/B060VH/B070VH/B080VMH

SCE215C053/C063/C073/C083

SCE215C053VM/C063VM/C073VM/C083VM

SCE215C053VH/C063VH/C073VH/C083VH



type	prefix option	catalogue number	A	B	C	D	E	F	G	H	J	X	weight ⁽²⁾
01	SC	SCE215B050/B060/B070 B050VM/B060VM/B070VM/ B050VH/B060VH/B070VH	86	56	33	127	50	137	140	171	172	221	1,8
		SCE215B080/B080VM/B080VH	86	56	33	155	50	160	149	188	188	139	2,1
		SCE215C053/C063/C073/ C053VM/C063VM/C073VM/ C053VH/C063VH/C073VH	86	56	33	127	50	137	90	172	172	123	1,5
		SCE215C083/C083VM/C083VH	86	56	33	155	50	160	95	187	187	132	2,3

⁽²⁾ including coil and connector.

All leaflets are available on: www.asco.com

10 - Vacuum Service (2/2)



青岛集诚自动化设备有限公司
地址：中国·青岛市重庆南路99号海尔云街甲3号楼7F

服务热线：4006-918-365
网址：<http://www.asco.store>

传真：(86-532)585-10-365
Email：sales@bechinas.com