

FEATURES

- For gas pilot and gas burner control on industrial atmospheric and forced draught burners, also used in kilns and furnaces in process industries
- All valves have been type tested to EN 161 and satisfy the European gas appliance directive (2009/142/EC)
Certificate of conformity BSI: No. CE 592900
- All valves are for class A group 2 service and cover gas family 1, 2 and 3
- All valves are suitable to withstand 150 mbar back pressure
- Direct lift valves with resilient soft seating for tight shut-off

GENERAL

Differential pressure See «SPECIFICATIONS» [1 bar = 100 kPa]
Response time 1 s max.

fluids (*)	temperature range (TS)	seal materials (*)
combustible gas	0°C to +60°C	NBR (nitrile)

MATERIALS IN CONTACT WITH FLUID

(*) Ensure that the compatibility of the fluids in contact with the materials is verified

Body	Brass
Core tube	Stainless steel
Core and plugnut	Stainless steel
Springs	Stainless steel
Seat	Brass
Seals	NBR
Disc	NBR
Shading coil	Copper

ELECTRICAL CHARACTERISTICS

Coil insulation class F
Connector Spade plug (cable Ø 6-10 mm)
Connector specification ISO 4400 / EN 175301-803, form A
Electrical safety IEC 335
Electrical enclosure protection Moulded IP65 (EN 60529)
Standard voltages AC (~) : 24V - 48V - 115V - 230V / 50 Hz
(Other voltages on request)

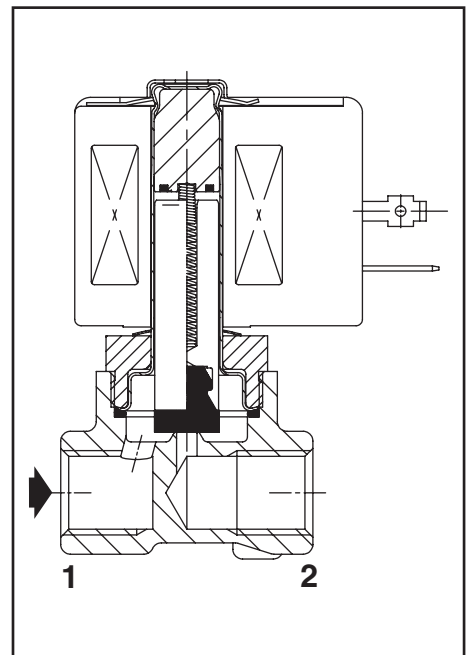
prefix option	power ratings				operator ambient temperature range (TS) (C°)	replacement coil		type ⁽¹⁾
	inrush ~	holding ~		hot/cold =		~	=	
	(VA)	(VA)	(W)	(W)		230 V/50 Hz		
SC	30	16	6	-	0 to +60	400919-117	-	01

⁽¹⁾ Refer to the dimensional drawings on the following page.

SPECIFICATIONS

pipe size	orifice size	flow ⁽²⁾		operating pressure differential (bar)				power coil (W)		catalogue number
				min.	max. (PS)		gas (*)			
					~	=				
Rp	(mm)	(m ³ /h)	(l/min)							
NC - Normally closed										
1/8	3,2	0,41	6,83	0	2,76	-	6	-	EGSCE262C002	
1/4	6,7	1,12	18,67	0	2,1	-	6	-	EGSCE262C090	

⁽²⁾ For 2,5 mbar pressure drop air 1,0 s.g. at 1,013 mbar and 15°C.



OPTIONS

- Mounting brackets, suffix MB
- Plug with visual indication and peak voltage suppression or with cable length of 2 m (see Solenoids, Coils & Accessories section)

INSTALLATION

- The solenoid valves can be mounted in any position without affecting operation
- Solenoid valves have 2 mounting holes in body
- Pipe connection identifier is E = Rp (ISO 7/1)
- Installation/maintenance instructions are included with each valve

SPARE PARTS KIT & ACCESSORIES

catalogue number	spare parts kit no.		mounting bracket no.
	~	=	
EGSCE262C002	K320014	-	164706-001
EGSCE262C090	K312979	-	254573-001

- Not available.

ORDERING EXAMPLES:


EGSC	E	262	C 002	230V / 50 Hz
EGSC	E	262	C 290	24V / 50 Hz

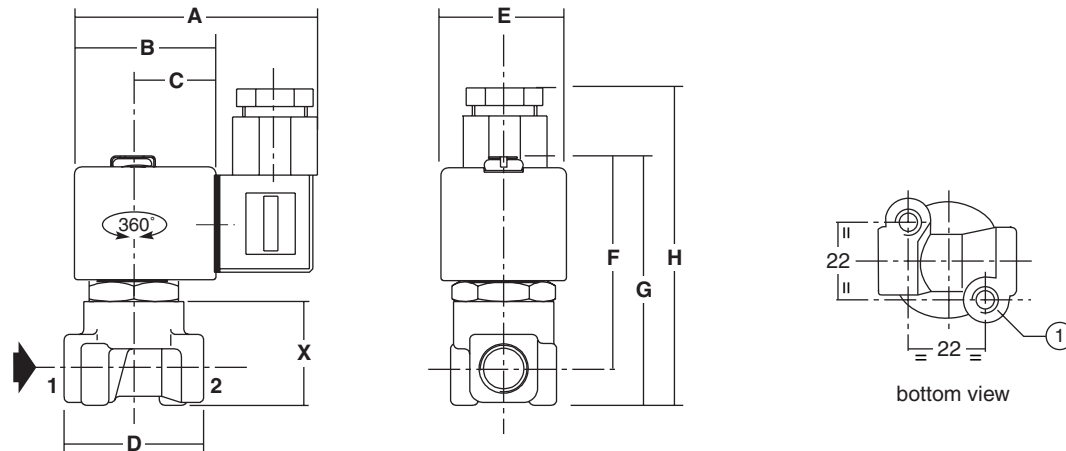
prefix ———
 pipe thread ———
 basic number ———
 voltage ———
 suffix ———

ORDERING EXAMPLES KITS:

K320014	basic number ———
K312979	

DIMENSIONS (mm), WEIGHT (kg)


TYPE 01
 Prefix "EGSC" Solenoid
 Epoxy moulded
 IEC 335 / ISO 4400
 IP65



type	prefix option	catalogue number	A	B	C	D	E	F	G	H	X	weight ⁽²⁾
01	SC	EGSCE262C002	75	45	27	30	39	56	65	81	20	0,3
		EGSCE262C090	75	45	27	40	39	65	75	92	30	0,4

① 2 mounting holes Ø M4, depth 6 mm

⁽²⁾ including coil and connector.