



SPOOL VALVES

solenoid air operated

G1/4 to G1/2 tapped body
with CNOMO size 15 low power pilot

3/2-5/2
Series
551-553

FEATURES

- The valves offer environmental protection against the ingress of liquids, dusts or other foreign matter (environmentally-protected construction)

GENERAL

Fluid	Air or neutral gas, filtered, lubricated or not
Operating pressure	2 to 10 bar
Ambient temperature	0°C to +60°C (with pilot series 630)
Flow (Qv at 6 bar)	series 551 860 l/min (ANR) - Kv : 12,5 series 553 3800 l/min (ANR) - Kv : 52,5
Base	size 15 ISO 15218 (CNOMO E06.36.120N)

CONSTRUCTION

SPOOL VALVES	
Body, end covers	Black anodised aluminium
Internal parts	Stainless steel, POM (polyacetal), aluminium
Seals	NBR (nitrile), PUR (polyurethane)

PILOTS

Solenoid pilot valve series 630 ()

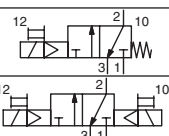
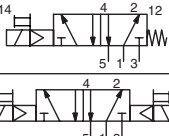


ELECTRICAL CHARACTERISTICS

pilot		voltages	consumption		insulation class	protection degree	electrical connection
size	series		inrush	hold			
15	630	24V to 70V (1)	0,6VA	0,007W	F	IP 65	spade plug size 15 connector, DIN 43650, 9,4 mm, industry standard B, rotatable by 90°
			0,007W				

(1) max. current : 80 mA, current of max. maintenance : 1 mA

SPECIFICATIONS

function symbol	operators		pipe size	catalogue number with standard connector	
	pilot (14)	return (12)		pilot 630 CNOMO size 15	(M)
	solenoid air	spring	G1/4	PISCG551A505	MO
			G1/2	PISCG553A505	MO
	solenoid air	solenoid air	G1/4	PISCG551A506	MO
			G1/2	PISCG553A506	MO
	solenoid air	spring	G1/4	PISCG551A517	MO
			G1/2	PISCG553A517	MO
	solenoid air	solenoid air	G1/4	PISCG551A518	MO
			G1/2	PISCG553A518	MO

(M) Type of manual operator on pilot(s) ▼ : impulse

Note: do not connect the pressure supply to the exhaust port 3. For a "distributing" function or use in NO function, contact us.

When ordering, please specify:

PISC	G	551	A	517	MO	24V	CC	
PISCX	G	553	A	505	MO	24V	CC	TPL 17777
prefix	pipe thread	basic number						TPL n°
								voltage
								suffix

How to order a version without connector :
Use the TPL 17777.

The TPL number (Temporary Parts List) indicates special construction. In this case, the spool valve catalogue number contains the prefix "X" and the TPL number must always be mentioned following the spool valve catalogue number.

Example : PISCG553A505MO 24V DC TPL17777

00444GB-2017/R01 Availability, design and specifications are subject to change without notice. All rights reserved.

All leaflets are available on: www.asco.com



青岛秉诚自动化设备有限公司
地址：中国·青岛市重庆南路99号海尔云街甲3号楼7F

服务热线：4006-918-365
网址：<http://www.asco.store>

Pneumatic Valves (3/2 - 5/2) - 55
传真：(86-532)585-10-365
Email：sales@bechinas.com

OPTIONS

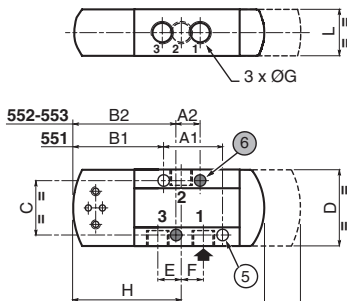
- Other pipe threads are available on request

ACCESSORIES

series	pipe size	stainless steel exhaust protector
551	G 1/4	34600419
551-553	M5	34600484

DIMENSIONS (mm), WEIGHT (kg)

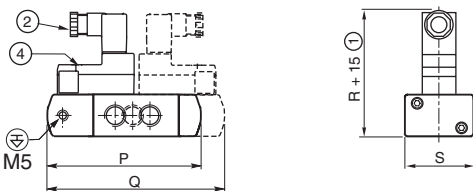
3/2 NC SPOOL VALVES



- 1 Extra length for disassembly, depending on model
- 2 Connector size 15, rotatable by 90°
- 4 Manual operator
- 5 Series 551: 2 mounting holes Ø 5,3 - spotfacing Ø 9, depth 5
- 6 Series 553: 2 mounting holes Ø 6,5 - spotfacing Ø 11, depth 6

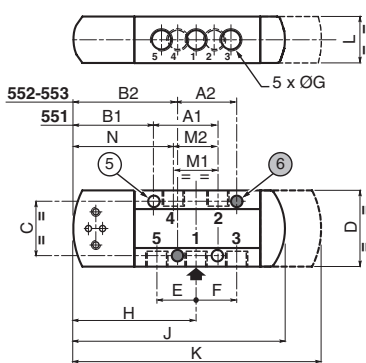
series	weight 3/2 NC	
	pilot 630	
	monost.	bistable
551	0,36	0,41
553	1,00	2,08

With pilot 630



series	A1	A2	B1	B2	C	D	E	F	ØG	H	J	K	L	P	Q	R	S
551	33	-	51,5	-	32	45	11	11	G1/4	61,5	113	134	27,5	113	134	75	45
553	-	16	-	78,5	51	72,3	12,2	19,4	G1/2	62,7	135	162	40,2	135	162	87	72,3

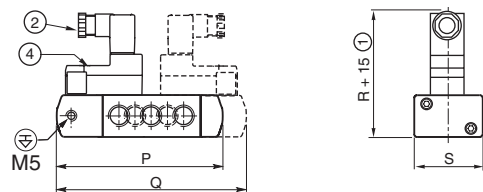
5/2 SPOOL VALVES



- 1 Extra length for disassembly, depending on model
- 2 Connector size 15, rotatable by 90°
- 4 Manual operator
- 5 Series 551: 2 mounting holes Ø 5,3 - spotfacing Ø 9, depth 5
- 6 Series 553: 2 mounting holes Ø 6,5 - spotfacing Ø 11, depth 6

series	weight 5/2	
	pilot 630	
	monost.	bistable
551	0,51	0,56
553	1,15	2,23

With pilot 630



series	A1	A2	B1	B2	C	D	E	F	ØG	H	J	K	L	M1	M2	N	P	Q	R	S
551	32	-	51	-	32	45	20,5	20,5	G1/4	72	125	146	27,5	22	-	-	125	146	75	45
553	-	43	-	78,5	51	72,3	31,6	31,8	G1/2	94,5	162	189	40,2	-	31,6	75	162	189	87	72,3

All leaflets are available on: www.asco.com

56 - Pneumatic Valves (3/2 - 5/2)



青岛秉诚自动化设备有限公司
地址：中国·青岛市重庆南路99号海尔云街甲3号楼7F

服务热线：4006-918-365
网址：<http://www.asco.store>

传真：(86-532)585-10-365
Email：sales@bechinas.com