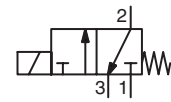




SOLENOID VALVES

direct operated
multiple manifold sub-bases
1/8

NC



3/2
Series
356

FEATURES

- Very small size and easy assembly
- AC/DC interchangeability of the solenoid without disassembling the valve
- Quick disassembly of core tube for easy maintenance of internal parts
- Standard disc seal made of FPM suitable for a wide range of operating temperatures and compatible with many fluids
- Compliance with UL and CSA standards
- The solenoid valves satisfy all relevant EU directives

GENERAL

Differential pressure See «SPECIFICATIONS» [1 bar = 100 kPa]
Maximum viscosity 40 cSt (mm²/s)
Response time 5 - 10 ms

fluids (*)	temperature range (TS)	seal materials (*)
air, inert gas, water, oil	- 10°C to + 100°C	FPM (fluoroelastomer)

MATERIALS IN CONTACT WITH FLUID

(*) Ensure that the compatibility of the fluids in contact with the materials is verified

Manifold body Brass
Core tube Stainless steel
Core and plugnut Stainless steel
Springs Stainless steel
Seat Brass
Seals FPM
Disc FPM
Shading coil Copper

ELECTRICAL CHARACTERISTICS

Coil insulation class F
Connector Spade plug (cable Ø 6-7 mm)
Connector specification DIN 43650, 11 mm, industry standard B (11 mm)
Electrical safety IEC 335
Electrical enclosure protection Moulded IP65 (EN 60529)
Standard voltages (2)
 (Other voltages and 60 Hz on request) DC (-) : 24V - 48V
 AC (-) : 24V - 48V - 115V - 230V / 50 Hz

prefix option	power ratings				operator ambient temperature range (TS) (C°)	replacement coil		type (1)
	inrush ~	holding ~	hot/cold =			~	=	
	(VA)	(VA)	(W)	(W)		230 V/50 Hz	24 V DC	
SC	12	6	4	5 / 6,9	-10 to + 60	400127-197	400127-142	01

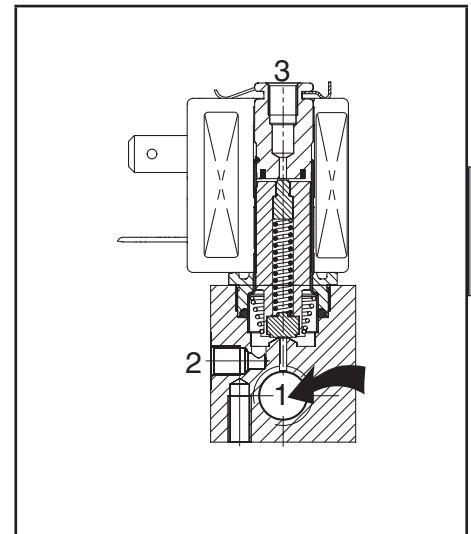
(1) Refer to the dimensional drawings on the following page.

(2) Duty cycle: 50% (30 min)

SPECIFICATIONS

pipe size	orifice size	flow coefficient Kv		operating pressure differential (bar)				power coil (W)		Number of valves	catalogue number	options				
				min.	max. (PS)		EPDM									
					air, water (*)	oil (*)										
G	(mm)	(m ³ /h)	(l/min)							~/=						
NC - Normally closed																
1/8 (3)	1,6	0,08	1,33	0	10	10	10	10	4	6,9	2	SCG356B819V	E	-	-	
											3	SCG356B820V	E	-	-	
											4	SCG356B821V	E	-	-	
											5	SCG356B822V	E	-	-	
											6	SCG356B823V	E	-	-	
											7	SCG356B824V	E	-	-	
											8	SCG356B825V	E	-	-	
											9	SCG356B826V	E	-	-	
											10	SCG356B827V	E	-	-	
											2	SCG356B855V	E	-	-	
	2,4	0,13	2,16	0	4	4	4	4	4	4	6,9	3	SCG356B856V	E	-	-
												4	SCG356B857V	E	-	-
												5	SCG356B858V	E	-	-
												6	SCG356B859V	E	-	-
												7	SCG356B860V	E	-	-
												8	SCG356B861V	E	-	-
												9	SCG356B862V	E	-	-
												10	SCG356B863V	E	-	-

(3) Pipe size port 3: M5



E

00072GB-2016/R02 Availability, design and specifications are subject to change without notice. All rights reserved.

All leaflets are available on: www.asco.com



青岛秉诚自动化设备有限公司
地址：中国·青岛市重庆南路99号海尔云街甲3号楼7F

服务热线：4006-918-365
网址：<http://www.asco.store>

传真：(86-532)585-10-365
Email：sales@bechinas.com

V591-1

OPTIONS

- Valves can also be supplied with EPDM (ethylene-propylene) seals and discs. Use the appropriate optional suffix letter for identification
- Flying leads coil, use prefix L (e.g.: LG356B822V)
- Oxygen service with seals and disc in FPM, suffix NV, example: SCG356B858NV
- NC, orifice sizes 1,2 mm and 2 mm
- U, orifice sizes 1,6 - 2 - 2,4 mm ; NO, orifice size 1,6 mm
- Stainless steel manifold bodies, NC, U and NO, on request
- Other pipe connections are available on request
- Plug with visual indication and peak voltage suppression or with cable length of 2 m (see Solenoids, Coils & Accessories section)

INSTALLATION

- The solenoid valves can be mounted in any position without affecting operation
- Multiple manifold solenoid valves have 2 mounting holes in body
- Pipe connection identifier is G = G (ISO 228/1)
- Installation/maintenance instructions are included with each valve

SPARE PARTS KIT

catalogue number	spare parts kit no.	
	~	=
all	C140264V	C140264V

⁽¹⁾ Standard prefixes/suffixes are also applicable to kits.

ORDERING EXAMPLES:

SC	G	356	B	821	V	230V / 50 Hz
SC	G	356	B	826	E	115V / 50 Hz
SC	G	356	B	857	NV	24V / DC
SC	G	356	B	863	V	230V / 50 Hz

prefix: SC, pipe thread: G, basic number: 356 B 821, voltage: 230V / 50 Hz, suffix: V

ORDERING EXAMPLES KITS:

C140264	V ⁽¹⁾
C140264	E

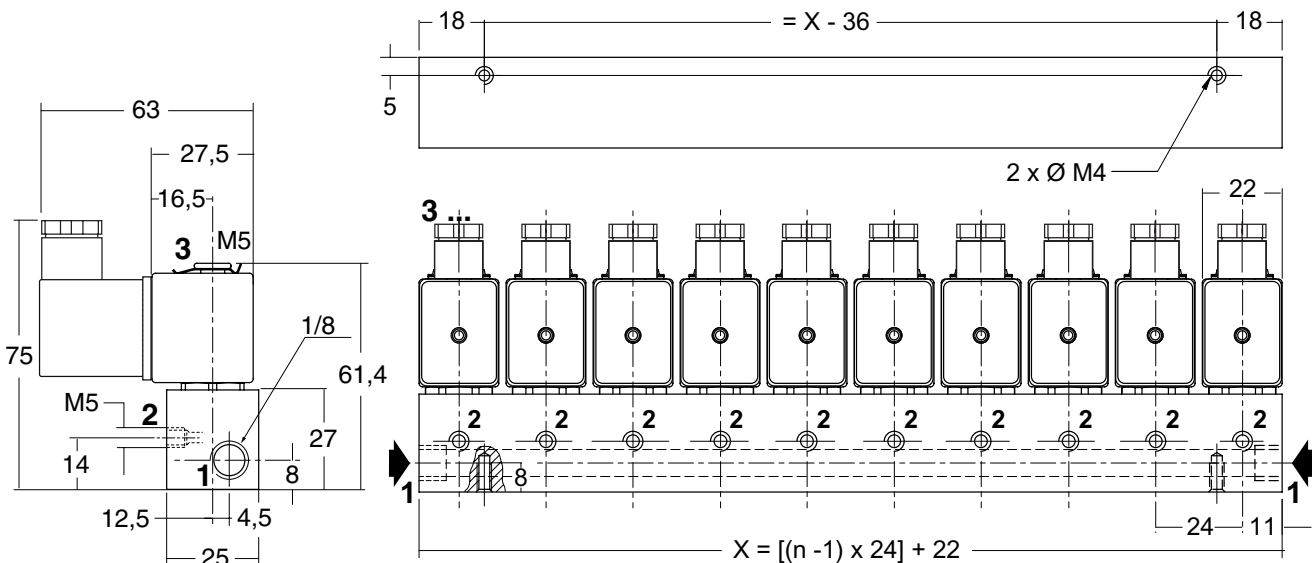
basic number: C140264, suffix: V, E

DIMENSIONS (mm), WEIGHT (kg)



TYPE 01

Prefix "SC" Solenoid
Epoxy moulded
Integrated in manifold
IEC 335 / DIN 43650, IP65



type	prefix option	weight ⁽²⁾								
		number of solenoid valves (n)								
01	SC	0,321	0,426	0,531	0,636	0,741	0,846	0,951	1,056	1,161

⁽²⁾ Incl. coil(s) and connector(s)

All leaflets are available on: www.asco.com