

ASCO™ Solenoid Valves

Pad Mounting Body

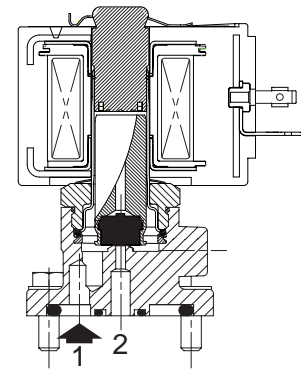
Direct Operated, For Subbase 1/4" or 1/2"

2/2 NC-NO

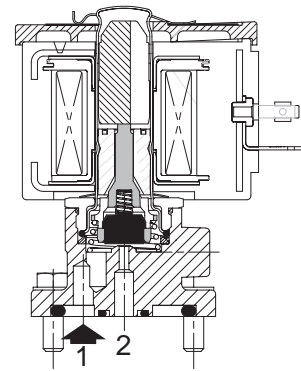
Series

262

- High operating pressure
- RoHS compliance
- AC/DC interchangeability of the coil possible only for NC version only
- Flexible installation on joinable subbases
- Large selection of seal materials providing wide chemical compatibility
- Compliance with UL and CSA standards
- The solenoid valves satisfy all relevant EU directives



NC function



NO function

General

Differential pressure See «SPECIFICATIONS» [1 bar = 100 kPa]

Maximum viscosity 65 cSt (mm²/s)

Response time 5 - 25 ms

fluids (*)	temperature range (TS)	seal materials (*)
air, inert gas, water, oil	-25°C to +80°C	NBR (nitrile)

Materials in contact with fluid

(*) Ensure that the compatibility of the fluids in contact with the materials is verified

Body	Brass
Shading coil	Copper
Core tube	Stainless steel
Core and plugnut	Stainless steel
Springs	Stainless steel
Seal	NBR
Disc	NBR
Disc holder (NO function)	PA

Electrical characteristics

Coil insulation class F (AC) or H (DC)

Connector Spade plug (cable Ø 6-10 mm)

Connector specification ISO 4400 / EN 175301-803, form A

Electrical safety IEC 335

Electrical enclosure protection Moulded IP65 (EN 60529)

Standard voltages DC (=) : 24V - 48V

AC (~) : 24V - 48V - 115V - 230V/50 Hz

operator ambient temperature range (TS) (°C)	power ratings			replacement coil ⁽¹⁾	
	inrush ~ (VA)	holding ~ (VA)	hot/cold = (W)	~ 230 V/50 Hz	= 24 V DC
-25 to +55	50	25	10,1	8,5/11,6	238613-059 238913-006

⁽¹⁾ All 238 basic numbers are UL & CSA approved and marked with the UR (recognised component) & CSA logos.

Options

- **Seals and disc (*)** (fluid temperature range) ⁽²⁾
 - FPM (fluoroelastomer): -15°C to +100°C (coil class F)
 - 15°C to +120°C (coil class H)
 - EPDM (ethylene-propylene), 0°C to +100°C
 - CR (chloroprene), 0°C to +80°C
- Oxygen service, FPM disc and seals, see "15-DIGIT PRODUCT CODE"
- Connector with visual indication and peak voltage suppression or with cable length of 2 m
- Explosionproof enclosures for use in zones 1/21-2/22, categories 2-3 to ATEX Directive 2014/34/EU (See page: 40)

(*) Ensure that the compatibility of the fluids in contact with the materials is verified.

⁽²⁾ The minimum ambient temperature of the solenoid valve is determined by the limitations of minimum temperature indicated.

Specifications

													15-DIGIT PRODUCT CODE										
pipe size	orifice size (mm)	flow coefficient Kv (m ³ /h) (l/min)		operating pressure differential (bar)						power coil (W)		dimensions / type ⁽¹⁾	brass	voltage code									
				min.	max. (PS)			~	=					~	=	~	=	24 V/50 Hz	48 V/50 Hz	115 V/50 Hz	230 V/50 Hz	24 V/DC	48 V/DC
					air (*)	water (*)	oil (*)																
Without manual operator																							
NC - Normally closed, NBR seal and disc																							
pad mounting	1,2	0,05	0,8	0	103	68	103	66	103	58	10,1	11,6	01	R262K200S1W00 ⁽²⁾	FL	FR	FT	F8	H1	H9			
	2,4	0,18	3	0	40	16	28	16	28	15	10,1	11,6	01	R262K108S1N00									
	3,2	0,3	5	0	23	7,5	20	7	14	6,5	10,1	11,6	01	R262K232S1N00									
	4	0,45	7,5	0	14	3,5	13	3,5	10	3,5	10,1	11,6	01	R262K202S1N00									
	5,6	0,63	10,5	0	6,5	2	6,5	2	6,5	2	10,1	11,6	01	R262K208S1N00									
	7,1	0,76	12,7	0	4	1,5	5	1,5	4	1,3	10,1	11,6	01	R262K210S1N00									
NO - Normally open, NBR seal and disc																							
pad mounting	1,2	0,05	0,8	0	79	44	62	33	55	22	10,1	11,6	02	R262K161S1W00 ⁽²⁾	FL	FR	FT	F8	H1	H9			
	2,4	0,18	3	0	18	11	15	9	12	6,5	10,1	11,6	02	R262K260S1N00									
	3,2	0,3	5	0	11	6,5	10	6,5	8,5	4,5	10,1	11,6	02	R262K262S1N00									
	4	0,47	7,8	0	6	4	6	3,5	4,5	3	10,1	11,6	02	R262K263S1N00									
	5,6	0,72	12	0	3	2	3	1,7	2,5	1,7	10,1	11,6	02	R262K264S1N00									
	7,1	0,83	13,8	0	2	1,3	2	1,1	2	1,1	10,1	11,6	02	R262K265S1N00									
With maintained manual operator																							
NC - Normally closed, NBR seal and disc																							
pad mounting	2,4	0,18	3	0	40	16	28	16	28	15	10,1	11,6	01	R262K108S1N01	FL	FR	FT	F8	H1	H9			
	3,2	0,3	5	0	23	7,5	20	7	14	6,5	10,1	11,6	01	R262K232S1N01									
	4	0,45	7,5	0	14	3,5	13	3,5	10	3,5	10,1	11,6	01	R262K202S1N01									
	5,6	0,63	10,5	0	6,5	2	6,5	2	6,5	2	10,1	11,6	01	R262K208S1N01									
	7,1	0,76	12,7	0	4	1,5	5	1,5	4	1,3	10,1	11,6	01	R262K210S1N01									

⁽¹⁾ For dimensions, see drawing(s) for each construction type on the following page(s).

⁽²⁾ UR disc only, fluid temperature 0°C to +60°C, no other elastomer can be used.

(*) Ensure that the compatibility of the fluids in contact with the materials is verified.

Configurator - CAD Files

15-DIGIT PRODUCT CODE
R 262 K 108 S1 N00 H1

Thread connection
R = Pad mounting

Product series
262

Revision letter
K = Initial release

Valves version

Voltage - class
FL = 24 V / 50 Hz - class F
FR = 48 V / 50 Hz - class F
FT = 115 V / 50 Hz - class F
F8 = 230 V / 50 Hz - class F
H1 = 24 V DC - class H
H9 = 48 V DC - class H

Options
Without manual operator
N00 = NBR disc and seals
V00 = FPM disc and seals
VNO = FPM disc and seals for Oxygen service
E00 = EPDM disc and seals
J00 = CR disc and seals

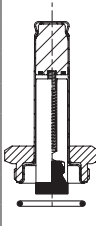
With maintained manual operator
N01 = NBR disc and seals
V01 = FPM disc and seals
VN1 = FPM disc and seals for Oxygen service
E01 = EPDM disc and seals
J01 = CR disc and seals

Electrical interface & explosion proof options

- S1** = With spade plug connector
- FN** = Aluminium enclosure, 1/2 NPT conduit, IECEx/ATEX
II 2G Ex db IIC Gb / II 2D Ex tb IIIC Db, zone 1-21 (equivalent to NF prefix)⁽¹⁾
- FT** = Aluminium enclosure, 20 mm conduit, IECEx/ATEX
II 2G Ex db IIC Gb / II 2D Ex tb IIIC Db, zone 1-21 (equivalent to NFET prefix)⁽¹⁾
- FS** = AISI 316L enclosure, 1/2 NPT conduit, IECEx/ATEX
II 2G Ex db IIC Gb / II 2D Ex tb IIIC Db, zone 1-21 (equivalent to WSNF prefix)⁽¹⁾
- FU** = AISI 316L enclosure, 20 mm conduit, IECEx/ATEX
II 2G Ex db IIC Gb / II 2D Ex tb IIIC Db, zone 1-21 (equivalent to WSNFET prefix)⁽¹⁾
- MV** = Steel enclosure, M20 cable gland, IECEx/ATEX
II 2G Ex eb mb IIC Gb / II 2D Ex tb IIIC Db, zone 1-21 (equivalent to EM prefix)⁽¹⁾
- MT** = Steel enclosure, 20 mm conduit, IECEx/ATEX
II 2G Ex eb mb IIC Gb / II 2D Ex tb IIIC Db, zone 1-21 (equivalent to EMET prefix)⁽¹⁾
- MN** = Steel enclosure, 1/2 NPT conduit, IECEx/ATEX
II 2G Ex eb mb IIC Gb / II 2D Ex tb IIIC Db, zone 1-21 (equivalent to EMT prefix)⁽¹⁾
- MW** = AISI 316 enclosure, M20 cable gland, IECEx/ATEX
II 2G Ex eb mb IIC Gb / II 2D Ex tb IIIC Db, zone 1-21 (equivalent to WSEM prefix)⁽¹⁾
- MU** = AISI 316 enclosure, 20 mm conduit, IECEx/ATEX
II 2G Ex eb mb IIC Gb / II 2D Ex tb IIIC Db, zone 1-21 (equivalent to WSEMET prefix)⁽¹⁾
- MS** = AISI 316 enclosure, 1/2 NPT conduit, IECEx/ATEX
II 2G Ex eb mb IIC Gb / II 2D Ex tb IIIC Db, zone 1-21 (equivalent to WSEMT prefix)⁽¹⁾
- A7** = Moulded enclosure, epoxy encapsulated, integrated cable, IECEx/ATEX
II 2G Ex mb IIC Gb / II 2D Ex mb IIIC Db, zone 1-21 (equivalent to PV prefix)⁽¹⁾
- SG** = Moulded coil with connector, epoxy encapsulated, ATEX
II 3GD Ex ec IIC Gc / II 3GD Ex tc IIIC Dc, zone 22 (equivalent to SG prefix)⁽¹⁾

⁽¹⁾ Search prefix in Emerson.com/asco to get detailed technical information.
Please note that the valve pressure ratings with some of the ATEX enclosures will be reduced.
To obtain the correct pressure rating please check the landing pages of the "2-Way Solenoid Valve DIN Configurator".

Spare parts kits no. (*)

	Spare parts kits no. (*)													
	AC (~)						DC (=)							
	NBR	FPM	FPM (oxygen)	EPDM	CR	NBR + UR	NBR	FPM	FPM (oxygen)	EPDM	CR	NBR + UR		
 R262K108	M200007	N00	V00	VNO	E00	J00	-	M200007	N00	V00	VNO	E00	J00	-
R262K161	M200021	-	-	-	-	-	W00	-	-	-	-	-	-	-
R262K200	M200007	-	-	-	-	-	W00	M200007	-	-	-	-	-	W00
R262K202/208/210	M200007	N00	V00	VNO	E00	J00	-	M200007	N00	V00	VNO	E00	J00	-
R262K232	M200007	N00	V00	VNO	E00	J00	-	M200007	N00	V00	VNO	E00	J00	-
R262K260	M200015	N00	V00	VNO	E00	J00	-	M200031	N00	V00	VNO	E00	J00	-
R262K261	M200016	N00	V00	VNO	E00	J00	-	M200031	-	-	-	-	-	W00
R262K262/263/264/265	M200016	N00	V00	VNO	E00	J00	-	M200032	N00	V00	VNO	E00	J00	-

(*) Ensure that the compatibility of the fluids in contact with the materials is verified.

01479GB-2019/R02 Availability, design and specifications are subject to change without notice. All rights reserved.

Installation

- The solenoid valves can be mounted in any position without affecting operation
- Mounting on single or joinable subbase or on supply rail, four mounting holes
- ATEX 2014/34/EU versions can be installed on single or joinable brass subbases
- 1/4 and 1/2 subbases pipe connections (G*) have standard combination thread according to ISO 228/1 and ISO 7/1
- Installation/maintenance instructions are included with each valve

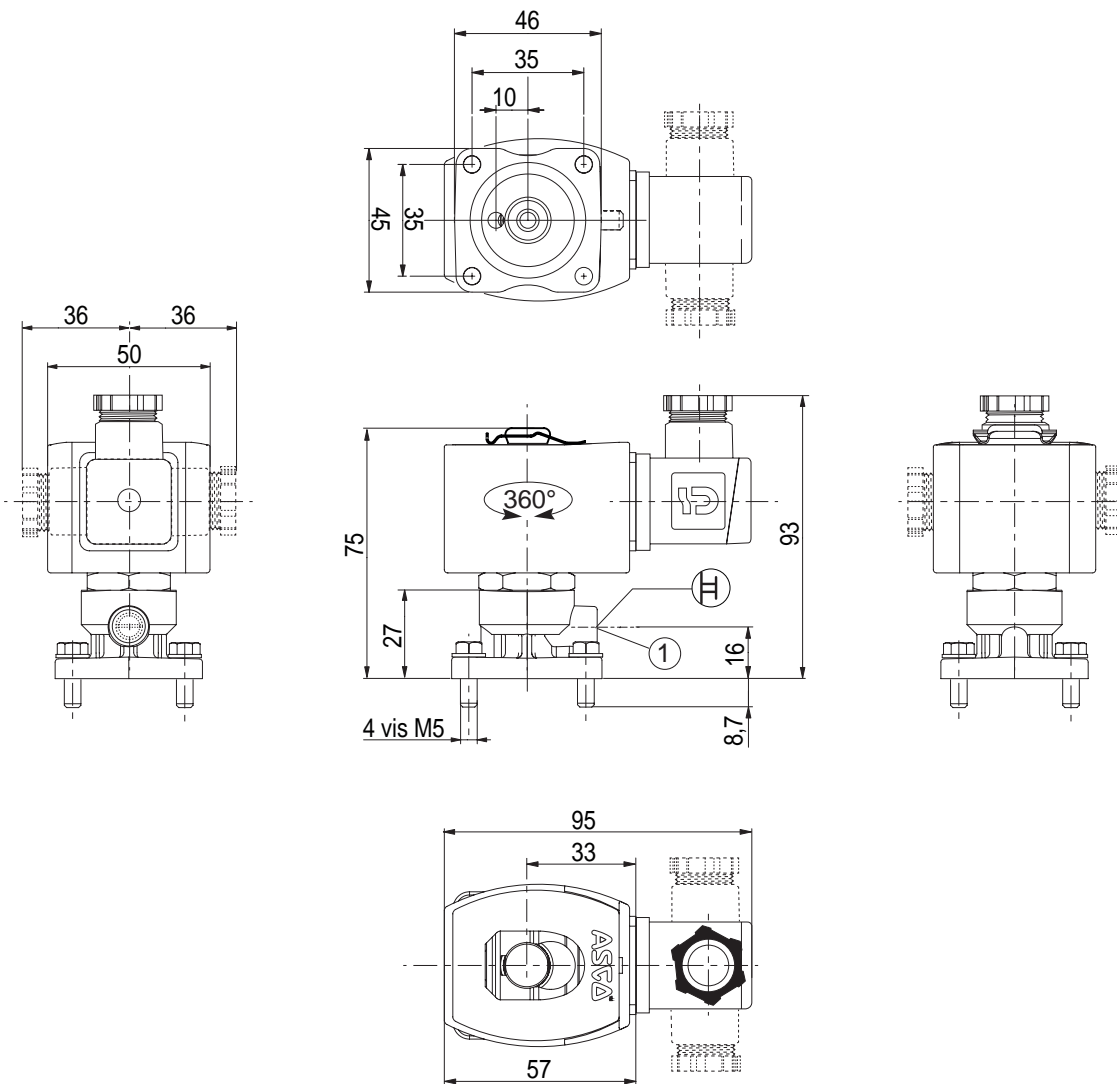
Dimensions (mm), Weight (kg)

Configurator - CAD Files



TYPE 01
Electrical interface "S1"
Epoxy moulded
IEC 335 / ISO 4400
IP65

NC: power coil, 10,1 W / 11,6 W



type	weight ⁽¹⁾
01	0,53

① Manual operator location

⁽¹⁾ Incl. coil(s) and connector(s).

Dimensions (mm), Weight (kg)

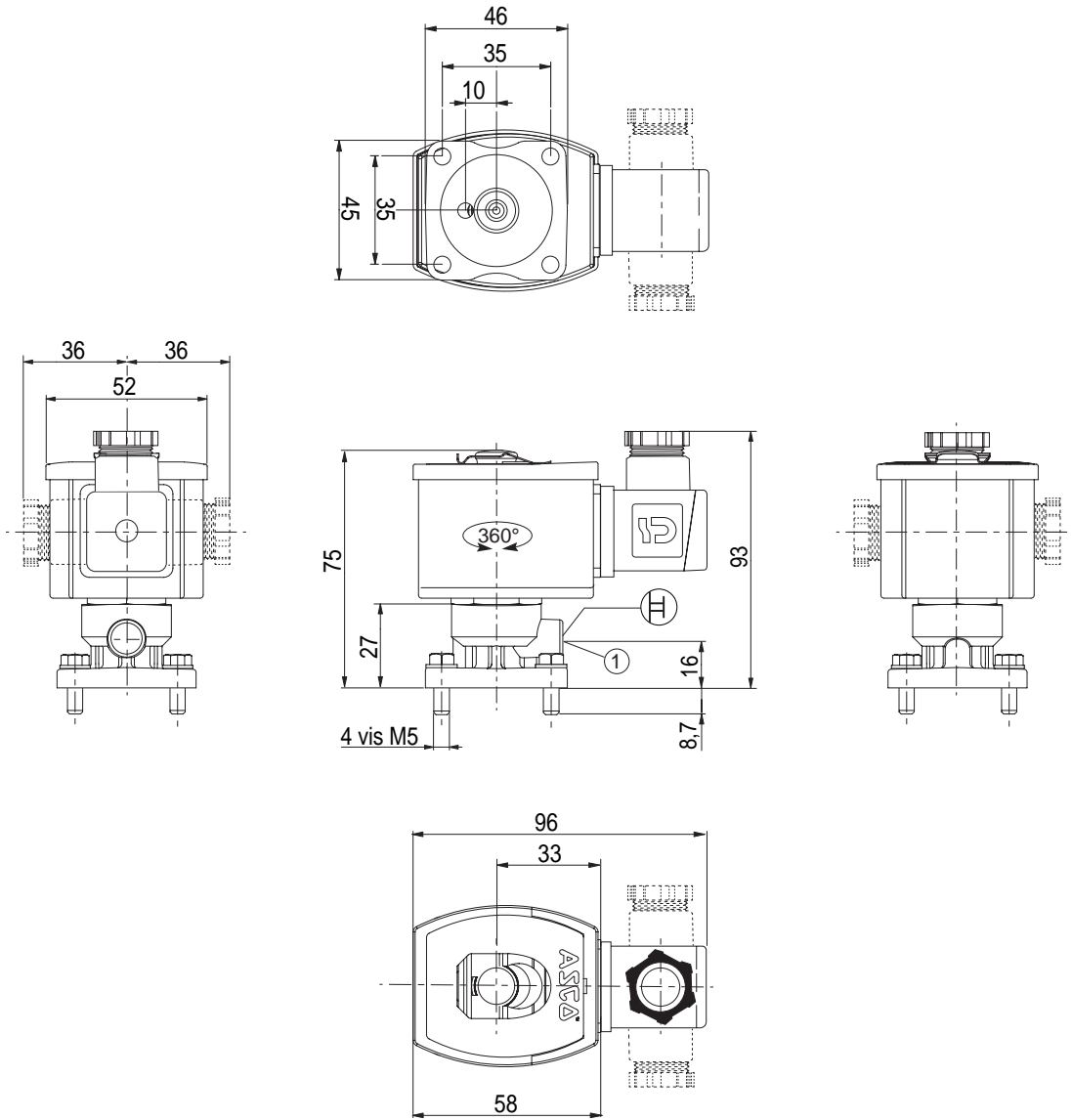
Configurator - CAD Files



TYPE 02

Electrical interface "S1"
Epoxy moulded
IEC 335 / ISO 4400
IP65

NO: power coil, 10,1 W / 11,6 W



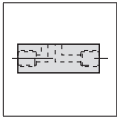
type	weight ⁽¹⁾
02	0,56

① Manual operator location

⁽¹⁾ Incl. coil(s) and connector(s).

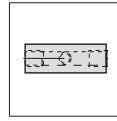
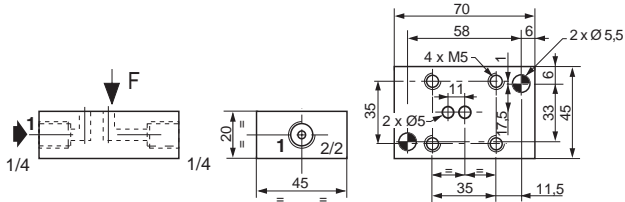
01479GB-2019/R02
Availability, design and specifications are subject to change without notice. All rights reserved.

Dimensions (mm), Weight (kg)



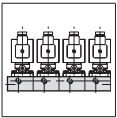
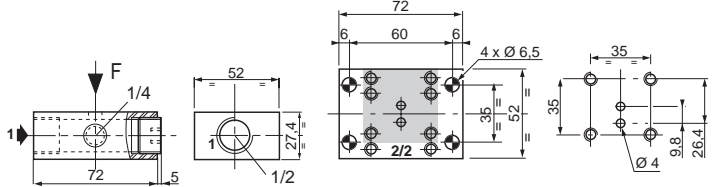
TYPE 03
Single brass subbase
Catalogue number: **36101001**
weight: 0,453

View F

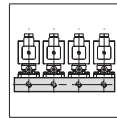


TYPE 04
Single aluminium subbase
Catalogue number: **36101029**
weight: 0,228

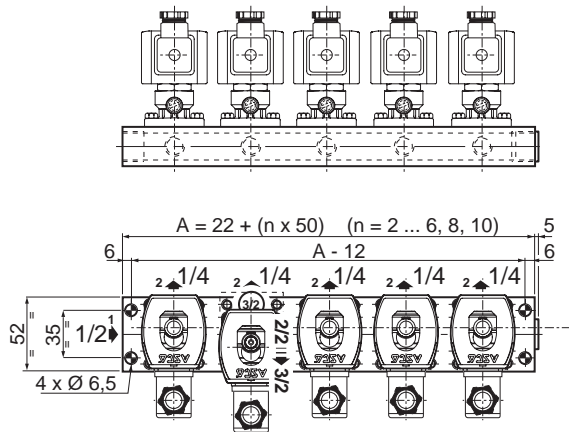
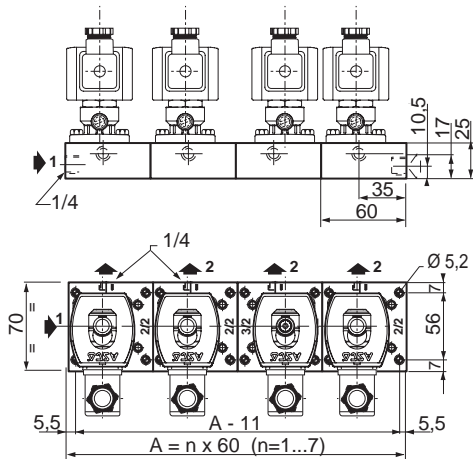
View F



TYPE 05
Joinable brass subbases
Catalogue number: **36101027** (unit)
NC/NO 2/2-way can be combined with 3/2-way



TYPE 06
Aluminium supply rails
Catalogue number: **36101030..1036**
NC/NO 2/2-way can be combined with 3/2-way



type	weight									
	number of valves									
	2	3	4	5	6	7	8	9	10	
joinable brass subbase	1,49	2,25	3,02	3,78	4,54	5,31	-	-	-	
joinable aluminium subbase	0,38	0,53	0,68	0,83	0,98	-	1,29	-	1,59	

01479GB-2019/R02
Availability, design and specifications are subject to change without notice. All rights reserved.