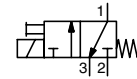




# SOLENOID PILOT VALVES

with 290/390 valves, with 90 & 125 mm operators  
direct operated  
1/4

NC



3/2  
Series  
**314**  
**356**

## FEATURES

- Compact design and low weight enabling easy installation on all series 290 & 390 valves with 90 & 125 mm operators
- Manual operator allows an easy installation
- Pilot 356: AC/DC interchangeability of the solenoid without disassembly of the valve
- The solenoid valves satisfy all relevant EU Directives

## GENERAL

**Max. pilot pressure** 0 to 10 bar [1 bar = 100 kPa]  
**Maximum viscosity** Pilot 314: 65 cSt (mm<sup>2</sup>/s) / Pilot 356: 40 cSt  
**Response time** See page 7 ([www.asco.com](http://www.asco.com))

pilot (series)	fluids (*)	temperature range (TS)	seal materials (*)
314	filtered air and water	-10°C to +60°C	314/356 pilots: NBR (nitrile)
356			314 pilot: FPM (fluoroelastomer)

## MATERIALS IN CONTACT WITH FLUID

(\*) Ensure that the compatibility of the fluids in contact with the materials is verified

	Pilot 314	Pilot 356
<b>Body</b>	Brass or st. steel AISI 304	Brass or st. steel AISI 316
<b>Core tube</b>	Stainless steel	Stainless steel
<b>Core and plugnut</b>	Stainless steel	Stainless steel
<b>Springs</b>	Stainless steel	Stainless steel
<b>Seats</b>	Brass	Brass
<b>Seals / Disc</b>	NBR	FPM
<b>Upper disc</b>	FPM	-
<b>Shading coil</b>	Copper or silver	Copper

## ELECTRICAL CHARACTERISTICS

**Coil insulation class** F  
**Connector** Spade plug (cable Ø 6-10 mm)  
**Connector specification** ISO 4400 / EN 175301-803, form A  
**Electrical safety** IEC 335  
**Electrical enclosure protection** Moulded IP65 (EN 60529)  
**Standard voltages** DC (=) : 24V - 48V  
 (Other voltages and 60 Hz on request) AC (-) : 24V - 48V - 115V - 230V / 50 Hz

prefix option	power ratings			operator ambient temperature range (TS) (C°)	replacement coil		type <sup>(1)</sup>
	inrush	holding	hot/cold		~	=	
	(VA)	(VA) (W)	(W)		230 V/50 Hz	24 V DC	
-	50	25 10,1	8,5 / 11,6	-10 to +60	238613-059	238713-006	01
SC	15	7 5	5 / 6,9	-10 to +60	400727-117	400727-185	02

<sup>(1)</sup> Refer to the dimensional drawings on the following page.

## SPECIFICATIONS (314 Series)

pipe size	orifice size	flow coefficient Kv		operating pressure differential (bar) max. (PS)						power coil (W)	thread type	dimensions / type <sup>(1)</sup>	15-DIGIT PRODUCT CODE											
		min. <sup>(3)</sup>		max. (PS)									brass <sup>(2)</sup>	stainless steel <sup>(2)</sup>	voltage code									
		2→1	1→3	air (*)	water (*)	oil	~	=	~						=	24 V/50 Hz	48 V/50 Hz	115 V/50 Hz	230 V/50 Hz	24 V/DC	48 V/DC			
		(mm)	(m <sup>3</sup> /h)(l/min)	(m <sup>3</sup> /h)(l/min)	~	=	~	=	-				-	~	=	~	=	~	=	~	=			
1/4	3,2	0,22	3,7	0,17	2,8	0	10	6	10	6	-	-	10,1	11,6	G*	01	E314K141S1N01	E314K140S1N01	FL	FR	FT	F8	F1	F9

## SPECIFICATIONS (356 Series)

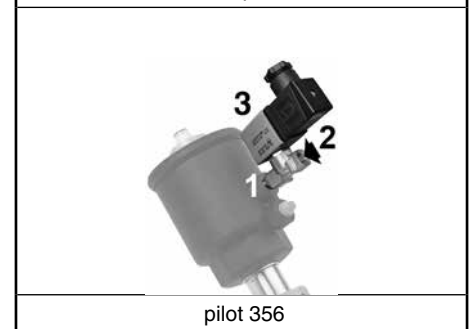
pipe size	orifice size	flow coefficient Kv		operating pressure differential (bar) max. (PS)						power coil (W)	catalogue number <sup>(2)</sup>				
		min. <sup>(3)</sup>		max. (PS)							brass body	stainless steel body			
		2→1	1→3	air (*)	water (*)	~	=	~	=				~	=	
(mm)	(mm)	(m <sup>3</sup> /h)(l/min)	(m <sup>3</sup> /h)(l/min)	~	=	~	=	~	=	~	=	~	=		
G	1,6	1,2	0,08	1,33	0,05	0,8	0	10	10	10	10	5	6,9	SCG356B467VMS	SCG356B473VMS

<sup>(2)</sup> Solenoid valve with 1/4 adapter.

<sup>(3)</sup> Refer to leaflets on series 290/390 valves which show the minimum pilot pressure for each version of the product.



314 pilot



pilot 356

00198GB-2017/R01 Availability, design and specifications are subject to change without notice. All rights reserved.

All leaflets are available on: [www.asco.com](http://www.asco.com)



青岛秉诚自动化设备有限公司  
地址：中国·青岛市重庆南路99号海尔云街甲3号楼7F

服务热线：4006-918-365  
网址：<http://www.asco.store>

Pressure Operated Valves (2/2) - 51  
传真：(86-532)585-10-365  
Email：sales@bechinas.com

### OPTIONS

- Explosionproof enclosures for use in zones 1/21-2/22, categories 2-3 to ATEX Directive 2014/34/EU ([www.asco.com](http://www.asco.com))
- flow control device to fit port 3 (to increase air-operated pilot depressurization time):  
M5, catalogue number: **34600380** / 1/8, catalogue number: **34600107**
- Connector with visual indication and peak voltage suppression or with cable length of 2 m ([www.asco.com](http://www.asco.com))

### INSTALLATION

- The solenoid valves can be mounted in any position without affecting operation
- Pipe connection 1/4 (G\*) has standard combination thread according to ISO 228/1 and ISO 7/1. Pipe connection G 1/8 or G 1/4 has standard thread according to ISO 228/1
- Installation/maintenance instructions are included with each valve

### SPARE PARTS KIT

catalogue number	spare parts kit no.	
	~	=
E314K141S1N01	<b>M200071N00</b>	<b>M200067N00</b>
E314K140S1N01	<b>M200073N00</b>	<b>M200069N00</b>

### ORDERING EXAMPLES:

E314K141S1N01 F8	
SC G 356 B 467 VMS	24V / DC voltage
catalogue number	

### ORDERING EXAMPLES KITS:

M200071N00
basic number

### DIMENSIONS (mm), WEIGHT

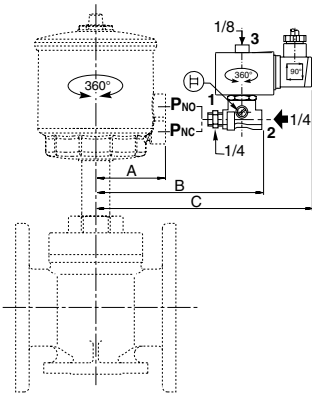
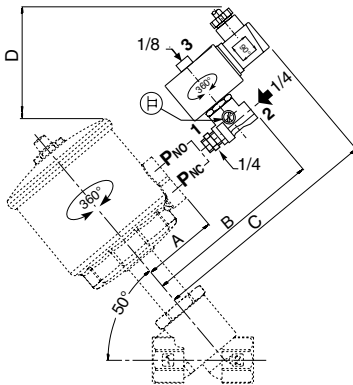


#### TYPE 01

Electrical interface "S1" (314 pilot)  
Epoxy moulded  
IEC 335 / ISO 4400  
IP65

E314K140S1N01/141S1N01

90 and 125 mm operators

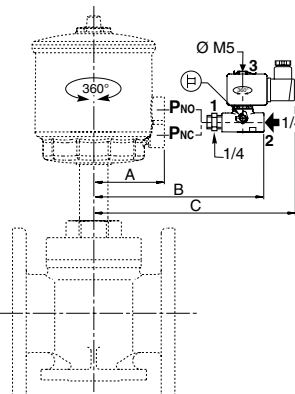
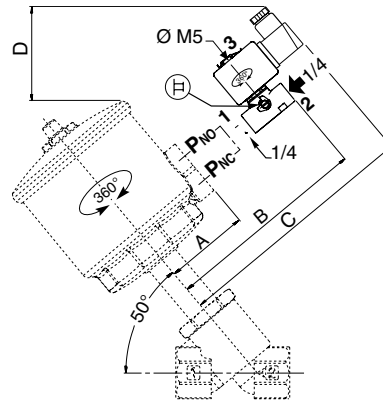


#### TYPE 02

Prefix "SC" Solenoid (pilot 356)  
Epoxy moulded  
IEC 335 / ISO 4400  
IP65

SCG356B467VMS/473VMS

90 and 125 mm operators



type	prefix option	pilot	operator diameter	A	B	C	D		pilot inlet		weight <sup>(1)</sup>
							NC	NO	NC	NO	
01	-	314 series	90 mm	67	128	169	72	91	P <sub>NC</sub>	P <sub>NO</sub>	0,610
			125 mm	86	147	188	123	142			
02	SC	356 series	90 mm	67	119	150	46	65	P <sub>NC</sub>	P <sub>NO</sub>	0,253
			125 mm	86	138	169	97	116			

<sup>(1)</sup> including adapter connection, coil and connector.

All leaflets are available on: [www.asco.com](http://www.asco.com)