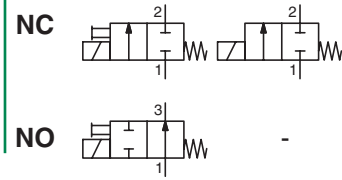




SOLENOID VALVES

direct operated
1/8 - 1/4



2/2
Series
256

FEATURES

- Wide range of flow and pressure ratings
- Quick disassembly of core tube for easy maintenance of internal parts
- Standard disc seal made of FPM suitable for a wide range of operating temperatures and compatible with many fluids
- Standard manual operator allows an easy installation (Except 4 and 5 mm orifice sizes)
- AC/DC interchangeability of the solenoid without disassembly of the valve
- Compliance with UL and CSA standards (coil 4/6,9 W)
- Compact and low weight valve
- The solenoid valves satisfy all relevant EU directives

GENERAL

Differential pressure See «SPECIFICATIONS» [1 bar =100 kPa]
Maximum viscosity 40 cSt (mm²/s)
Response time 5 - 10 ms

fluids (*)	temperature range (TS)	seal materials (*)
air, inert gas, water, oil	-10°C to +100°C	FPM (fluoroelastomer)

MATERIALS IN CONTACT WITH FLUID

(*) Ensure that the compatibility of the fluids in contact with the materials is verified

	Brass body	Stainless steel body
Body	Brass	AISI 316
Core tube	Stainless steel	Stainless steel
Core and plugnut	Stainless steel	Stainless steel
Springs	Stainless steel	Stainless steel
Seat	Brass	Stainless steel
Seals	FPM	FPM
Disc	FPM	FPM
Shading coil	Copper	Copper

ELECTRICAL CHARACTERISTICS

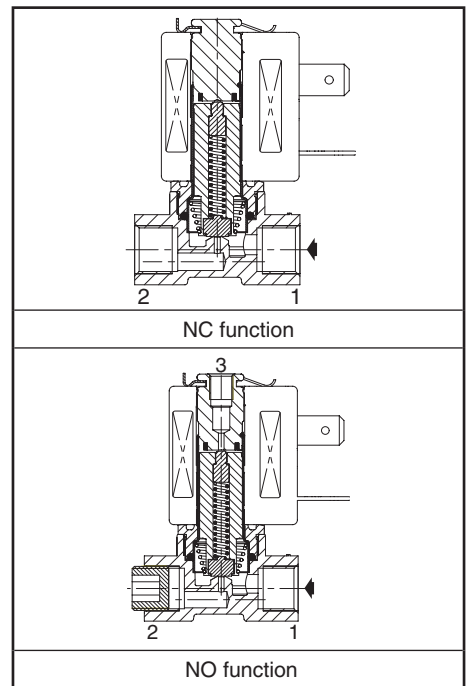
Coil insulation class F
Connector Spade plug (cable Ø 6-8 mm or Ø 6-10 mm)
Connector specification DIN 43650, 11 mm, industry standard B (type 01) or ISO 4400 / EN 175301-803, form A (type 02)
Electrical safety IEC 335
Electrical enclosure protection Moulded IP65 (EN 60529)
Standard voltages DC (=) : 24V - 48V
 (Other voltages and 60 Hz on request) AC (~) : 24V - 48V - 115V - 230V / 50 Hz

prefix option	power ratings				operator ambient temperature range (TS) (C°)	replacement coil		type ⁽¹⁾
	inrush ~ (VA)	holding ~ (W)		= (W)		~ 230 V/50 Hz	= 24 V DC	
		(VA)	(W)					
SC	12	6	4	5 / 6,9	-10 to +60	400127-197	400127-142	01
	15	7	5	4 / 5	-10 to +60	400727-117	400727-185	02

⁽¹⁾ Refer to the dimensional drawings on the following page.

SPECIFICATIONS

pipe size	orifice size (mm)	flow coefficient Kv (m ³ /h) (l/min)		operating pressure differential (bar)						power coil (W)		catalogue number		options			
				min.	max. (PS)			min.	=			brass	stainless steel	EPDM			
					air (*)	water (*)	oil (*)									~	=
NC - Normally closed																	
1/8	1,2	0,05	0,8	0	28	20	28	20	28	20	4	6,9	SCG256B001VMS	SCG256B013VMS	E	-	-
	1,6	0,08	1,33	0	20	12	20	12	20	12	4	6,9	SCG256B002VMS	SCG256B014VMS	E	-	-
	2,0	0,11	1,83	0	15	6	15	6	15	6	4	6,9	SCG256B003VMS	SCG256B015VMS	E	-	-
	2,4	0,13	2,16	0	12	4	12	4	12	4	4	6,9	SCG256B004VMS	SCG256B016VMS	E	-	-
1/4	1,6	0,08	1,33	0	20	12	20	12	20	12	4	6,9	SCG256B402VMS	SCG256B414VMS	-	-	-
					20	15	20	15	20	15	5	5	SCG256B466VMS	SCG256B434VMS	-	-	-
	2,4	0,16	2,67	0	12	4	12	4	12	4	4	6,9	SCG256B404VMS	SCG256B416VMS	-	-	-
					15	8	15	8	15	8	5	5	SCG256B470VMS	SCG256B436VMS	-	-	-
	4	0,33	5,5	0	5	2	5	2	5	2	5	5	SCG256B471V	-	-	-	-
	5	0,45	7,5	0	3	1	3	1	3	1	5	5	SCG256B472V	-	-	-	-
NO - Normally open																	
1/8	1,2	0,05	0,8	0	10	10	10	10	10	10	4	6,9	SCG256B006VMS	SCG256B018VMS	E	-	-



00029GB-2017/R01 Availability, design and specifications are subject to change without notice. All rights reserved.

All leaflets are available on: www.asco.com



青岛秉诚自动化设备有限公司
地址：中国·青岛市重庆南路99号海尔云街甲3号楼7F

服务热线：4006-918-365
网址：http://www.asco.store

Solenoid Valves (2/2) - 3
传真：(86-532)585-10-365
Email：sales@bechinas.com

OPTIONS

- Valves can also be supplied with EPDM (ethylene-propylene) seals and discs. Use the appropriate optional suffix letter for identification (1/8 version only)
- Explosionproof enclosures for use in zones 1/21-2/22, categories 2-3 to ATEX Directive 2014/34/EU (www.asco.com)
- Flying leads coil, use prefix L (e.g.: LG256B001VMS) (4 W/6,9 W coil only)
- Oxygen service with seals and disc in FPM, suffix NV, example: SCG256B001NVMS
- Solenoid valves integrated on manifold, orifice sizes 1,2 - 1,6 - 2 - 2,4 mm (www.asco.com)
- Without manual operator, on request
- Other pipe connections are available on request
- Connector with visual indication and peak voltage suppression or with cable length of 2 m (www.asco.com)

INSTALLATION

- The solenoid valves can be mounted in any position without affecting operation
- Solenoid valves have 2 mounting holes in body
- Pipe connection identifier is G = G (ISO 228/1)
- Installation/maintenance instructions are included with each valve

ORDERING EXAMPLES:

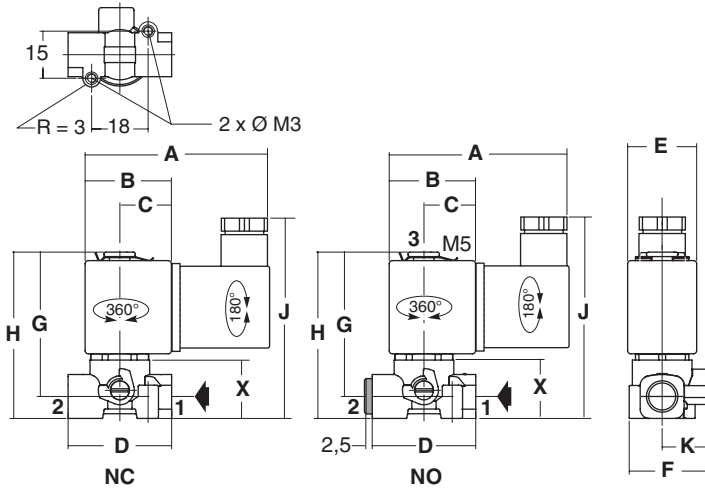
SC	G	256	B 001	VMS	230V / 50 Hz
SC	G	256	B 002	EMS	115V / 50 Hz
SC	G	256	B 014	NVMS	24V / DC
SC	G	256	B 001	FWMS	24V / DC
SC	G	256	B 471	V	230V / 50 Hz
SC	G	256	B 006	VMS	230V / 50 Hz

prefix: SC
 pipe thread: G
 basic number: 256
 suffix: B 001, EMS, NVMS, FWMS, V, VMS
 voltage: 230V / 50 Hz, 115V / 50 Hz, 24V / DC

DIMENSIONS (mm), WEIGHT (kg)

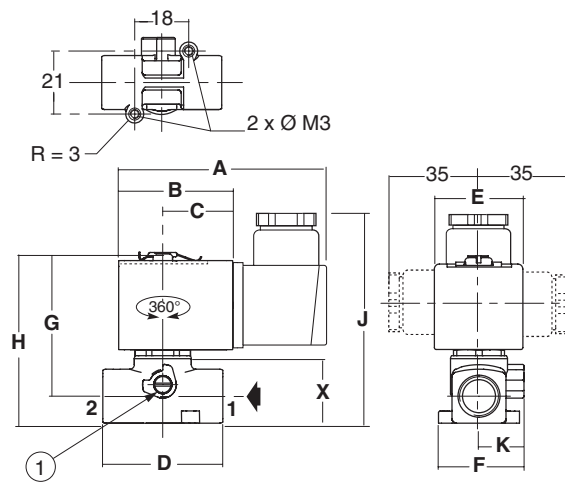
TYPE 01
Prefix "SC" Solenoid
Epoxy moulded
IEC 335 / DIN 43650
IP65

NC (1/8): SCG256B001V/002V/003V/004V/013V/014V/015V/016V
NO (1/8): SCG256B006V/018V



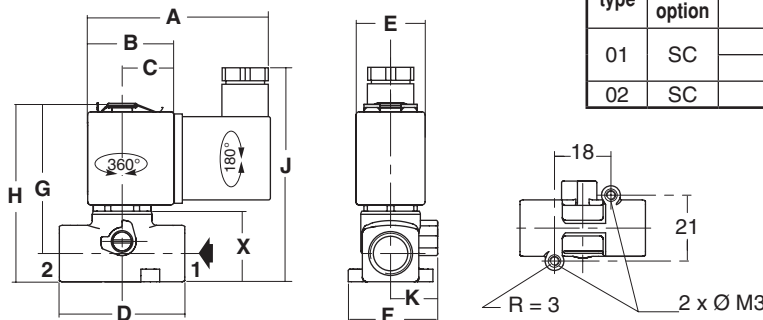
TYPE 02
Prefix "SC" Solenoid
Epoxy moulded
IEC 335 / ISO 4400
IP65

NC (1/4): SCG256B434VMS/436VMS/466VMS/470VMS/471V/472V



① Except catalogue numbers: SCG256B471V/472V

NC (1/4): SCG256B402VMS/404VMS/414VMS/416VMS



type	prefix option	pipe size	A	B	C	D	E	F	G	H	J	K	X
01	SC	1/8	60,5	27,5	16,5	33	22	25,5	46	53	69	15	18,6
		1/4	60,5	27,5	16,5	40	22	28,5	48	57	76	15	23,4
02	SC	1/4	76	38	23,3	40	29,7	28,5	48	57	78,5	15	23,4

type	prefix option	pipe size	weight ⁽²⁾	
			brass	stainless steel
01	SC	1/8	0,152	0,148
		1/4	0,180	0,177
02	SC	1/4	0,235	0,232

²⁾ Incl. coil(s) and connector(s).

All leaflets are available on: www.asco.com