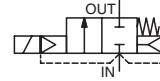




SOLENOID VALVES

pilot operated
floating piston, for high pressure fluids
1/4 to 3/4

NC



2/2
Series
223

FEATURES

- Heavy duty two way shut-off solenoid valves for control of air, inert gas, water, oil and other gases/liquids compatible with the seal materials used
- Valves require a minimum operating pressure
- The solenoid valves satisfy all relevant EU directives

GENERAL

Differential pressure See «SPECIFICATIONS» [1 bar =100 kPa]
Maximum viscosity 65 cSt (mm²/s)
Response time 15 - 60 ms

fluids (*)	temperature range (TS)	seal materials (*)
air, inert gas, water, oil	-20°C to +90°C	PA (polyamide) PTFE

MATERIALS IN CONTACT WITH FLUID

(*) Ensure that the compatibility of the fluids in contact with the materials is verified

	Brass body	Stainless steel body
Body	Brass	AISI 304 SS
Core tube	Stainless steel	Stainless steel
Core and plugnut	Stainless steel	Stainless steel
Springs	Stainless steel	Stainless steel
Seat	Brass	Stainless steel
Core disc	UR	UR
Seals	NBR	NBR
Piston	Stainless steel	Stainless steel
Piston disc	PTFE	PTFE
Piston rings	PTFE (carbon filled)	PTFE (carbon filled)
Shading coil	Copper	Silver

ELECTRICAL CHARACTERISTICS

Coil insulation class F
Connector Spade plug (cable Ø 6-10 mm)
Connector specification ISO 4400 / EN 175301-803, form A
Electrical safety IEC 335
Electrical enclosure protection Moulded IP65 (EN 60529)
Standard voltages DC (=) : 24V - 48V
 (Other voltages and 60 Hz on request) AC (~) : 24V - 48V - 115V - 230V / 50 Hz

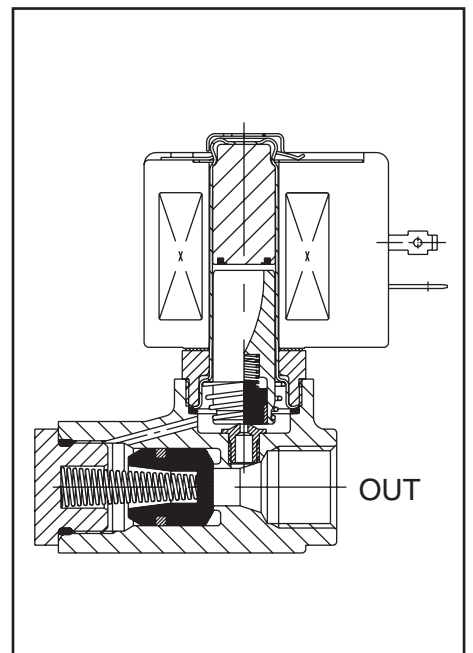
prefix option	power ratings				operator ambient temperature range (TS) (C°)	replacement coil		type ⁽¹⁾
	inrush ~	holding ~	hot/cold =			~	=	
	(VA)	(VA)	(W)	(W)		230 V/50 Hz	24 V DC	
SC	55	23	10,5	9/11,2	-20 to +75	400425-117	400425-142	01
	78	35	16,7	-	-20 to +50	400425-217	-	
	-	-	-	14/19,7	-20 to +25	-	400425-342	

⁽¹⁾ Refer to the dimensional drawings on the following page.

SPECIFICATIONS

pipe size	orifice size	flow coefficient Kv		operating pressure differential (bar)						power coil (W)		catalogue number		options				
				max. (PS)								brass	stainless steel	FPM	EPDM	CR	PTFE	
				min.		air (*)		water (*)										oil (*)
NPT	(mm)	(m ³ /h)	(l/min)									~/=	~/=					
NC - Normally closed																		
1/4	8	1,3	21,7	0,7	50	30	50	30	50	30	10,5	11,2	SCB223A121	-	V	E	-	T
				0,7	100	35	100	35	100	35	16,7	19,7	SCB223A125	-	V	E	-	T
3/8	8	1,3	21,7	0,7	50	30	50	30	50	30	10,5	11,2	SCB223A123	-	V	E	J	T
				0,7	100	35	100	35	100	35	16,7	19,7	SCB223A127	-	V	E	-	T
1/2	9	2,7	45	1,8	100	35	100	35	100	35	16,7	19,7	SCB223A103	-	V	E	-	T
				-	-	-	-	-	-	-	-	-	SCB223A010	-	V	E	-	T
3/4	19	6,7	112	1,8	50	20	50	20	50	20	16,7	11,2	SCB223B005 ⁽²⁾	-	V	-	-	T
				-	-	-	-	-	-	-	-	-	-	SCB223A012	-	V	E	-

⁽²⁾ PA piston.



00044GB-2016/R01 Availability, design and specifications are subject to change without notice. All rights reserved.

All leaflets are available on: www.asco.com



青岛秉诚自动化设备有限公司
地址：中国·青岛市重庆南路99号海尔云街甲3号楼7F

服务热线：4006-918-365
网址：<http://www.asco.store>

传真：(86-532)585-10-365
Email：sales@bechinas.com

V353-1

OPTIONS

- Valves can also be supplied with FPM (fluoroelastomer), EPDM (ethylene-propylene), CR (chloroprene) and PTFE seals and discs. Use the appropriate optional suffix letter for identification
- Waterproof enclosure with embedded screw terminal coil according to protection class IP67, CEE-10
- Explosionproof enclosures for use in zones 1/21-2/22, categories 2-3 to ATEX Directive 2014/34/EU (see "Explosionproof solenoids" section)
- Electrical enclosures according to "NEMA" standards are available
- Compliance with "UL", "CSA" and other local approvals available on request
- Normally Open constructions (NO)
- Other pipe connections are available on request
- Plug with visual indication and peak voltage suppression or with cable length of 2 m (see Solenoids, Coils & Accessories section)

INSTALLATION

- The solenoid valves can be mounted in any position without affecting operation
- Pipe connection identifier is B = NPT (ANSI 1.20.3)
- Installation/maintenance instructions are included with each valve

SPARE PARTS KIT

catalogue number	spare parts kit no.	
	~	=
SCB223A121	C133612	C133613
SCB223A125/A127	C133861	C133863
SCB223A123	C133612	C133613
SCB223A103	C133862	C133864
SCB223A010	C302322	C302417
SCB223B005	C302316	C302412
SCB223A012	C302323	C302418

⁽¹⁾ Standard prefixes/suffixes are also applicable to kits.

ORDERING EXAMPLES:

SC	B	223	A	125	230V / 50 Hz
SC	B	223	A	121	MO 115V / 50 Hz
SC	B	223	A	103	V 24V / DC
SC	B	223	A	012	230V / 50 Hz

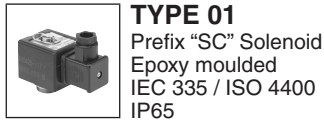
prefix — pipe thread — basic number — voltage — suffix

ORDERING EXAMPLES KITS:

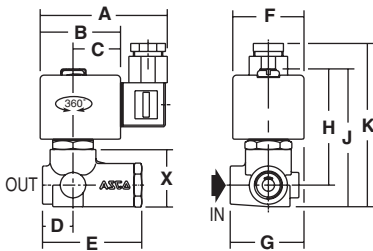
C302313 ⁽¹⁾	
C133864	V
C302322	E

basic number — suffix

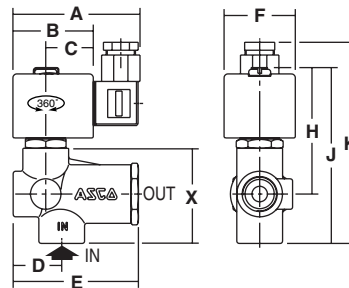
DIMENSIONS (mm), WEIGHT (kg)



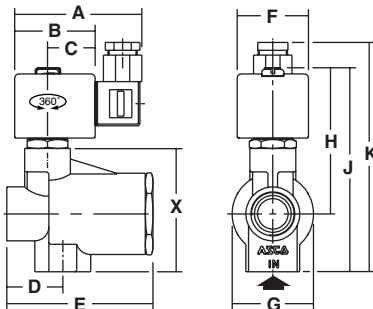
SCB223A121/A125/A123/A127



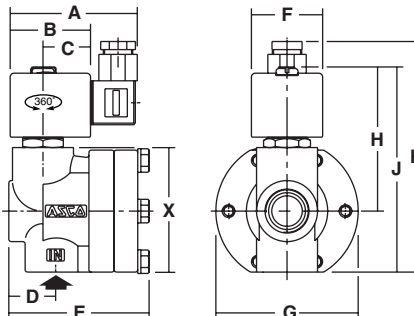
SCB223A103/A010



SCB223B005



SCB223A012



type	prefix option	catalogue number	A	B	C	D	E	F	G	H	J	K	X	weight ⁽²⁾
01	SC	SCB223A121/A125/A123/A127	80	50	30	20	65	45	46	72	86	103	37	0,7
		SCB223A103/A010	80	50	30	31	78	45	-	78	109	126	60	0,9
		SCB223B005	80	50	30	34	91	45	50	91	127	144	78	1,5
		SCB223A012	80	50	30	29	88	45	89	88	128	143	77	2,3

⁽²⁾ Incl. coil(s) and connector(s)

All leaflets are available on: www.asco.com