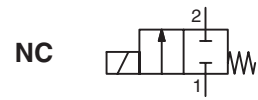




# SOLENOID VALVES

direct operated  
multiple manifold sub-bases  
1/8



2/2  
Series  
256

## FEATURES

- Very small size and easy assembly
- AC/DC interchangeability of the solenoid without disassembling the valve
- Quick disassembly of core tube for easy maintenance of internal parts
- Standard disc seal made of FPM suitable for a wide range of operating temperatures and compatible with many fluids
- Compliance with UL and CSA standards
- The solenoid valves satisfy all relevant EU directives

## GENERAL

**Differential pressure** See «SPECIFICATIONS» [1 bar =100 kPa]  
**Maximum viscosity** 40 cSt (mm<sup>2</sup>/s)  
**Response time** 5 - 10 ms

fluids (*)	temperature range (TS)	seal materials (*)
air, inert gas, water, oil	-10°C to +100°C	FPM (fluoroelastomer)

## MATERIALS IN CONTACT WITH FLUID

(\*) Ensure that the compatibility of the fluids in contact with the materials is verified

<b>Manifold body</b>	Brass
<b>Core tube</b>	Stainless steel
<b>Core and plugnut</b>	Stainless steel
<b>Springs</b>	Stainless steel
<b>Seat</b>	Brass
<b>Seals</b>	FPM
<b>Disc</b>	FPM
<b>Shading coil</b>	Copper

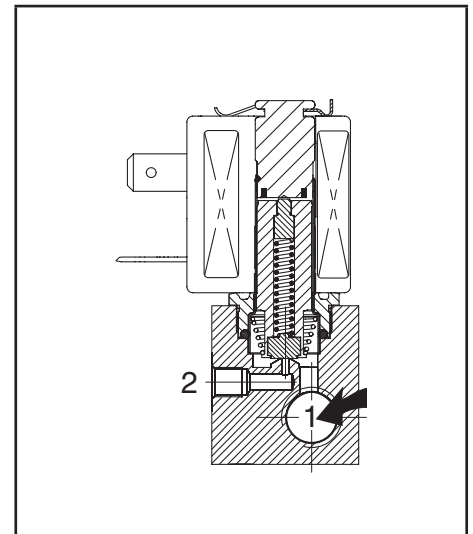
## ELECTRICAL CHARACTERISTICS

**Coil insulation class** F  
**Connector** Spade plug (cable Ø 6-8 mm)  
**Connector specification** DIN 43650, 11 mm, norma industrial B  
**Electrical safety** IEC 335  
**Electrical enclosure protection** Moulded IP65 (EN 60529)  
**Standard voltages** (2) DC (=) : 24V - 48V  
 (Other voltages and 60 Hz on request) AC (~) : 24V - 48V - 115V - 230V / 50 Hz

prefix option	power ratings				operator ambient temperature range (TS) (C°)	replacement coil		type (1)
	inrush ~	holding ~	hot/cold =	~		=		
	(VA)	(VA)	(W)				230 V/50 Hz	
SC	12	6	4	5 / 6,9	-10 to +60	400127-197	400127-142	01

(1) Refer to the dimensional drawings on the following page.

(2) Duty cycle: 50% (30 min)



## SPECIFICATIONS

pipe size	orifice size	flow coefficient Kv		operating pressure differential (bar)				power coil (W)		Number of valves	catalogue number	options			
				min.	max. (PS)		EPDM								
					air, water (*)	oil (*)									
G	(mm)	(m <sup>3</sup> /h)	(l/min)							~/=					
<b>NC - Normally closed</b>															
1/8 (3)	1,6	0,08	1,33	0	20	12	20	12	4	6,9	2	SCG256B819V	E	-	-
											3	SCG256B820V	E	-	-
											4	SCG256B821V	E	-	-
											5	SCG256B822V	E	-	-
											6	SCG256B823V	E	-	-
											7	SCG256B824V	E	-	-
											8	SCG256B825V	E	-	-
											9	SCG256B826V	E	-	-
											10	SCG256B827V	E	-	-
											2,4	0,13	2,16	0	12
3	SCG256B856V	E	-	-											
4	SCG256B857V	E	-	-											
5	SCG256B858V	E	-	-											
6	SCG256B859V	E	-	-											
7	SCG256B860V	E	-	-											
8	SCG256B861V	E	-	-											
9	SCG256B862V	E	-	-											
10	SCG256B863V	E	-	-											

(3) Pipe size port 2: M5

00108GB-2016/R02 Availability, design and specifications are subject to change without notice. All rights reserved.

All leaflets are available on: [www.asco.com](http://www.asco.com)



青岛秉诚自动化设备有限公司  
地址：中国·青岛市重庆南路99号海尔云街甲3号楼7F

服务热线：4006-918-365  
网址：<http://www.asco.store>

传真：(86-532)585-10-365  
Email：[sales@bechinas.com](mailto:sales@bechinas.com)

V297-1

