

FEATURES

- Compact aluminium flanged bodied dual flow valves for petrol vending applications
- Valve offers three flow positions, i.e. full flow, low flow, and shut off
- Minimum operating differential pressure 0,35 bar
- Explosion proof operators, intended for use in potential explosive areas, according to Directive ATEX 94/9/EC
- Easy electrical installation by means of the moulded-in supply cable, standard length 2 meter
- ASCO Numatics components satisfy all relevant EC directives

GENERAL

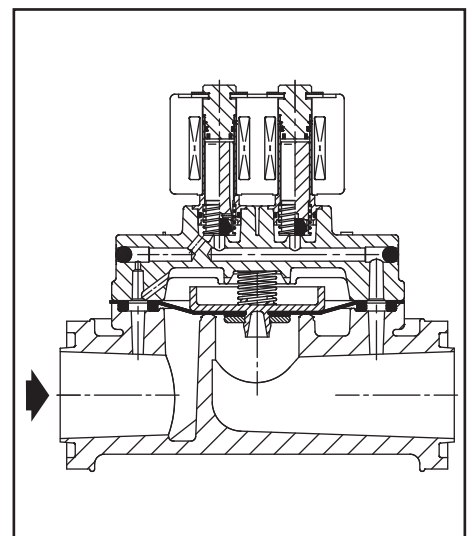
Differential pressure 0,35 - 3,5 bar [1 bar = 100kPa]
Ambient temperature range AC: -40 to +65°C
 DC: -40 to +40°C

| fluids (*) | temperature range (TS) | seal materials (*) |
|-----------------------|------------------------|--|
| Petrol & Liquid fuels | -40 to +40°C | FPM (fluoroelastomer) / VMQ (silicone) |

MATERIALS IN CONTACT WITH FLUID

(*) Ensure that the compatibility of the fluids in contact with the materials is verified

| | |
|-------------------------------|-----------------|
| Body | Aluminium |
| Core tube | Stainless steel |
| Core and plugnut | Stainless steel |
| Springs | Stainless steel |
| Seat | Aluminium |
| Sealing | FPM / VMQ |
| Disc & O-Rings | FPM |
| Diaphragm Support | POM |
| Shading Ring (AC only) | Copper |



ELECTRICAL CHARACTERISTICS

Coil insulation class F
Electrical safety IEC 335
Standard voltages DC (=) 24V - 48V;
 AC (~) 24V - 48V - 115V - 230V / 50 Hz

| prefix option | power ratings | | operator ambient temperature range (TS) (C°) | safety code | electrical enclosure protection (EN 60529) | replacement coil | | type ⁽¹⁾ |
|---------------|------------------|-------------------|---|--------------------|--|------------------|-----|---------------------|
| | holding ~ (W) | hot/cold = (W) | | | | ~ | = | |
| | 230V/50/60 Hz | 24V/DC | | | | | | |
| PV | 4,0 | 5,0 / 6,9 | -40 to +65 | II 2 G Ex mb II T3 | moulded IP67 | - | (2) | 01 |

⁽¹⁾ Refer to the dimensional drawings on page 12

⁽²⁾ Multiple coils kits available under ATEX, contact us
 - Not available

SPECIFICATIONS

| pipe size | orifice size | flow coefficient Kv | | | | operating pressure differential (bar) | | | prefix optional solenoids * | | | | | | basic catalogue number |
|-----------------------------|--------------|---------------------|---------|--------|---------|---------------------------------------|---------|-----|-----------------------------|--------------|------|---------|------|-------|------------------------|
| | | Low | | High | | min | max. PS | | NEMA 7&9 | ATEX / IECEx | | | IP65 | | |
| | | (m³/h) | (l/min) | (m³/h) | (l/min) | | ~ | = | | EF | Ex d | Ex e mb | | Ex mb | |
| T | (mm) | (m³/h) | (l/min) | (m³/h) | (l/min) | min | ~ | = | EF | NF | EM | PV | ZN | SC | |
| NC - Normally closed | | | | | | | | | | | | | | | |
| 1 | 25 | 0,12 | 2,0 | 11,5 | 192 | 0,35 | 3,5 | 3,5 | - | - | - | ● | - | - | T292B025 |

● Available feature
 - Not available

* For description of solenoids see pages 31-40

INSTALLATION

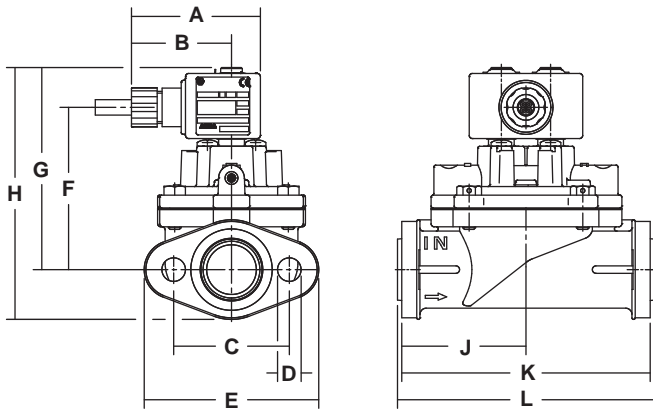
- The valves can be mounted in any position without affecting operation
- Pipe connection identifiers: T = flanged body
- Installation/maintenance instructions are included with each valve
- PV solenoids have a standard cable length of 2 meters. Other lengths in full meters are available on request

DIMENSIONS (mm), WEIGHT (kg)



TYPE 01
 Prefix "PV" Solenoid
 Epoxy encapsulated
 EN-IEC 60079-0, 60079-18, 61241-0, 61241-18
 II 2 G/D Ex mb II / Ex mD
 IP67

T292B025



| type | AC/DC | prefix option | catalogue number | spare parts kits | A | B | C | D | E | F | G | H | J | K | L | weight |
|------|-------|---------------|------------------|------------------|----|----|----|-----|----|----|----|-----|----|-----|-----|--------|
| 01 | ~/= | PV | T292B025 | 320180 / 320196 | 60 | 47 | 54 | Ø11 | 82 | 76 | 94 | 118 | 58 | 116 | 120 | 1,0 Kg |