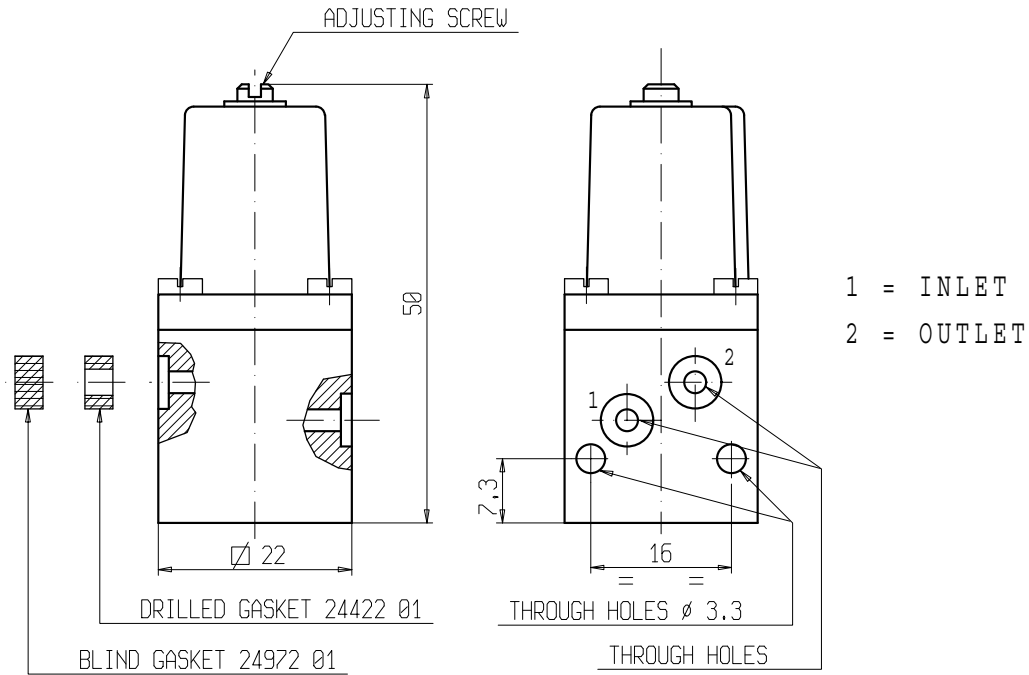




PRESSURE REDUCING VALVE

H2512001
MOUNTINGS IN BANKS

NON STANDARD



FEATURES - Pressure reducing valve, minimum overall dimensions, designed to shut off liquid and gaseous media compatible with the valve materials. Suitable for mounting in banks; inlet and outlet consisting of two through holes machined into the body valve to realize different groups connected together. A through hole enables the inlet of the fluid in the valve and can feed at the same time other users, while the second through hole feeds other users at the chosen reduced pressure value. Inlet and closing groups supplied separately. Seal gasket for coupling supplied with the valve. For further information see the mounting scheme K29709.

MOUNTING - For mounting in banks use connecting rods M3 (not supplied by us).

VALVE - Brass body, internal parts in stainless steel and brass, diaphragm in NBR (Nitrile-butylene elastomer) and cover in technopolymer.
 Max inlet pressure 8 bar.
 Outlet pressure adjustable from 0 to 5 bar.
 Orifice diameter 2,7 mm.
 Medium temperature from -10°C to +90°C
 Viscosity max 3°E (~22cStokes or mm²/s).

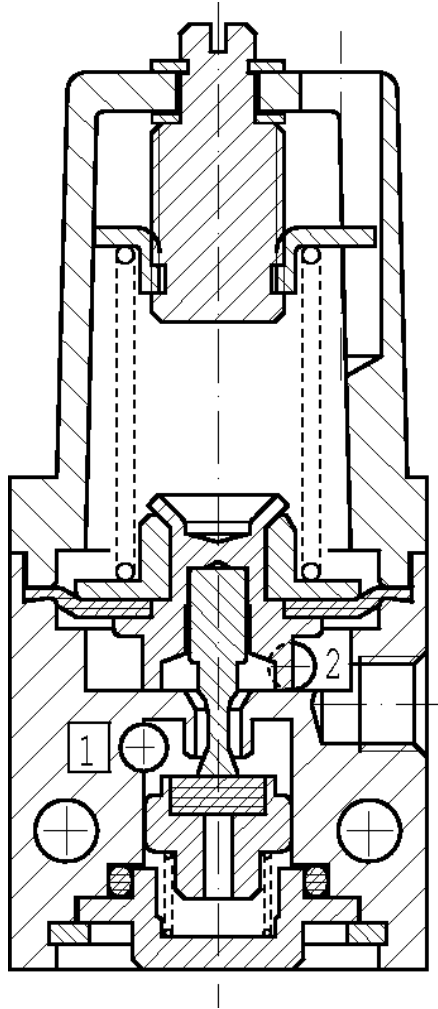
0906/0807



H2512001

NON STANDARD

► SECTIONAL VIEW



THE VALIDITY OF REPORTED DATA IS REFERRED TO THE DATE OF ISSUE. POSSIBLE UPDATES ARE AVAILABLE ON REQUEST.