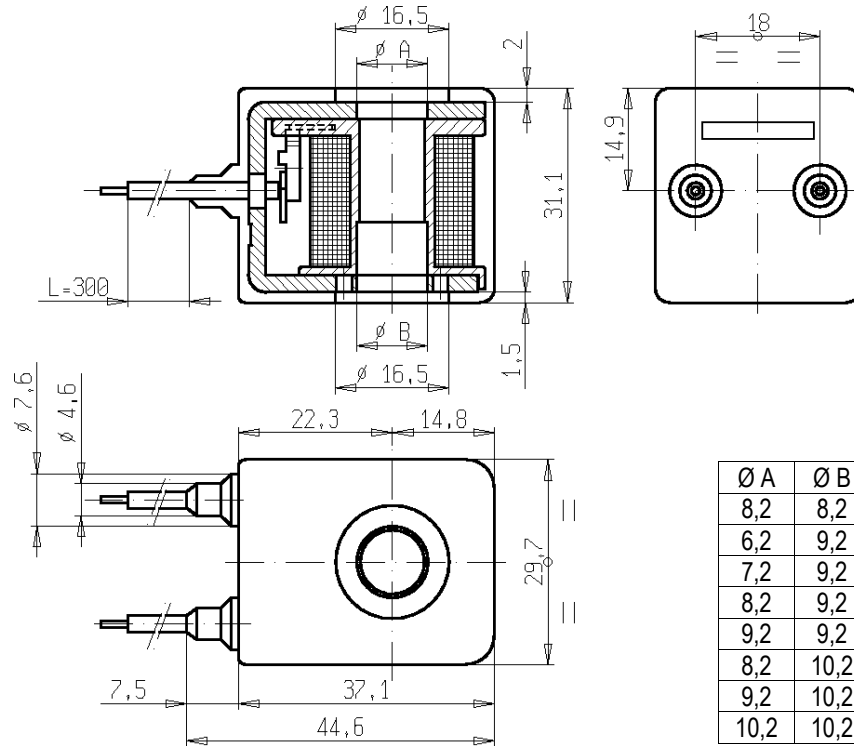




ENCAPSULATED COIL

C114

FLYING LEADS



FEATURES - Wide range through holes for core armature like the C111 series (see table): they can be used as an alternative if higher performances are requested. Windings made by class H (180°C) wires, vacuum impregnated by polyester resin then encapsulated in thermoplastic materials suitable for the insulation class of the product (see table below). Coil complying with VDE 0580 directive and 100% inspected.

PROTECTION DEGREE - IP 66 (EN 60529).

ELECTRICAL CONNECTIONS - N. 2 wires AWG 20, length 300 mm. Other lengths on request.

STANDARD VOLTAGES - 12 and 24 V DC / 24, 110, and 230 V in AC (50/60 Hz). Other voltages on request .

VOLTAGE TOLERANCE +10% -10%

POWER - According to customer requirements for the specific use. The table shows the maximum power value admissible for continuous duty (ED 100%).

Series and type	Encapsulation materials	Insulation Class	Power absorption		Operating temperature(°C)	ED %	Weight (kg)
			AC (VA)	DC (W)			
C114FN01	PA + 30% Glass fibre (reinforced polyamide)	F (155 °C)	13	9	-30 / +60	100	0,12

RECOMMENDATIONS ABOUT WASTE DISPOSAL :

The waste disposal of the product must be carried out in accordance with EEC directives nos. 75/442, 76/403 and 78/319, their modifications, updating and possible local bylaws.

Because of the presence of both antimony trioxide and glass fibres, bear in mind that incineration requires a special procedure in conformity with local bylaws.

The product can be delivered to any waste disposal facility, if permitted by local bylaws.

NON STANDARD

THE VALIDITY OF REPORTED DATA IS REFERRED TO THE DATE OF ISSUE. POSSIBLE UPDATING ARE AVAILABLE ON REQUEST

0503/0805

