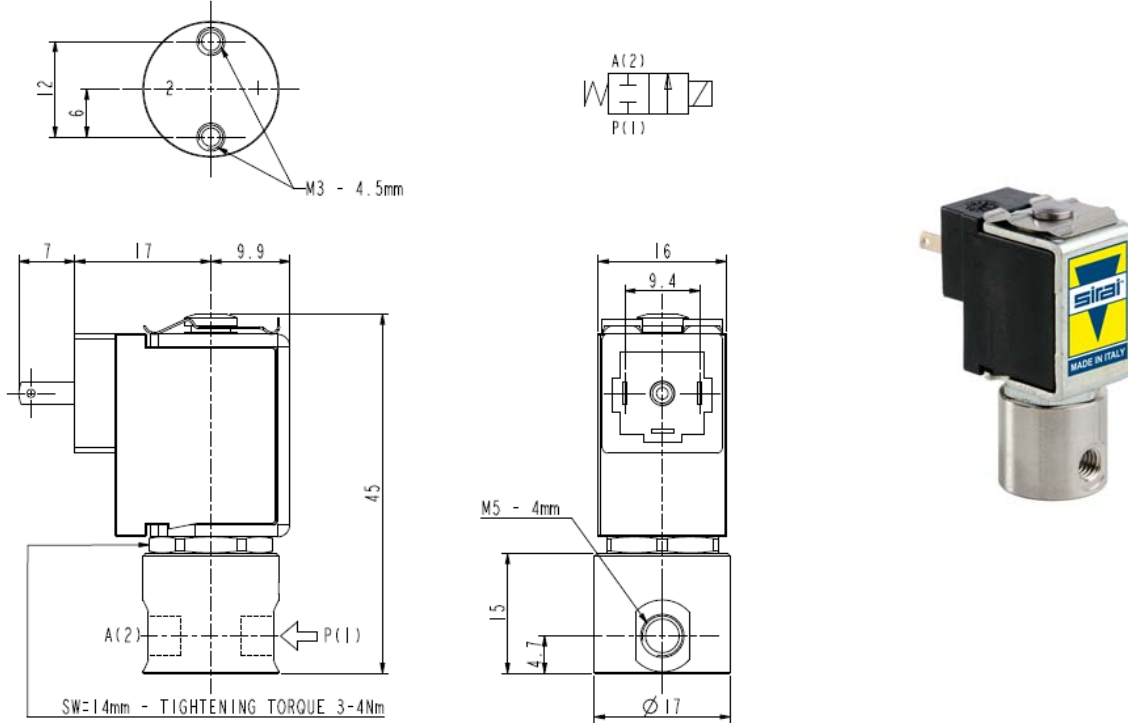




**MICRO SOLENOID VALVE - DRY**  
**2/2 - NC (Normally closed)**  
**Direct acting - Total isolation**  
**M5**

**D103**



► **GENERAL FEATURES**

Total isolation micro solenoid valve: the actuator is totally isolated from the medium so that the wetted parts are just the body and the diaphragm.  
 Reduced internal volumes: ~0,07 ml (0,07 cm<sup>3</sup>).  
 Possibility of disassembling for inspection.  
 Suitable to shut off liquid and gaseous fluids (verify the compatibility of fluid with materials in contact).

► **TECHNICAL FEATURES**

*Maximum allowable pressure (PS)* 7 bar  
*Opening time* ~10ms  
*Closing time* ~10m  
*Fluid temperature* -10°C +100°C  
*Max viscosity* 5°E (~37 cStokes or mm<sup>2</sup>/s)

► **MATERIALS IN CONTACT WITH FLUID**

*Body* Stainless steel AISI 316  
*Sealing* EPDM or VMQ or FPM

► **COIL**

*Continuous duty* ED 100%  
*Encapsulation material* PA (Polyamide) fiberglass reinforced  
*Insulation class* F (155°C)  
*Ambient temperature* -10°C +60°C  
*Electric connections* DIN 46340 with micro plug connector  
*Protection degree* IP 65 (EN 60529) with micro plug connector  
*Voltages DC* 12-24V (+10% -5%)  
 (Other voltages on request)

Port size ISO-UNI 4534	Orifice size (mm)	Differential pressure (bar)				Kv (m <sup>3</sup> /h)	Series and type		Power absorption			Sealings	Notes	Weight (kg)	
		Δp min	Δp max ▲				Valve	Coil	AC (VA)		DC (W)				
			AC	DC	AC				DC	Inrush					Holding
M5	1,6	0	-	2	-	2	D103D05	ZE30C	-	-	2,5	EPDM	-	0,060	
				5	5	D103S05									
				5	5	D103V05									
				5	5	D103V06									ZE30A

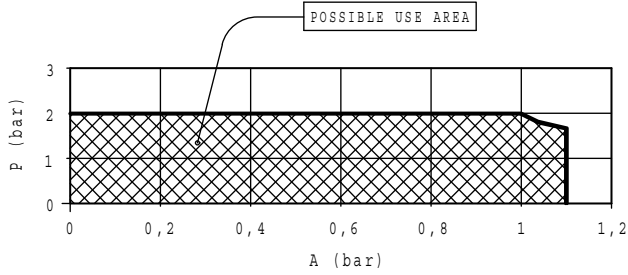
► **NOTES**

- Sealings : EPDM = Ethylene-propylene elastomer VMQ = Silicone elastomer FPM = Fluoro-carbon elastomer  
 1 - Suitable for vacuum at port "P" (≤760mmHg) or at port "A" (≤700mmHg)  
 2 - Suitable for vacuum at port "P" (≤760mmHg) or at port "A" (≤150mmHg)  
 ▲ : see the drawing overleaf.

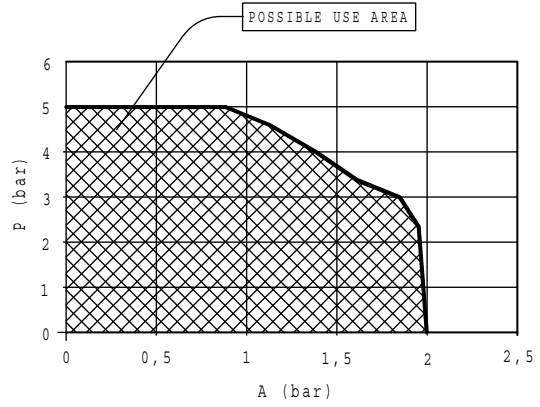


# D103

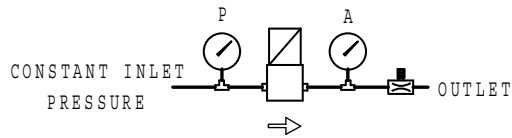
D103D05 – S05 – V05



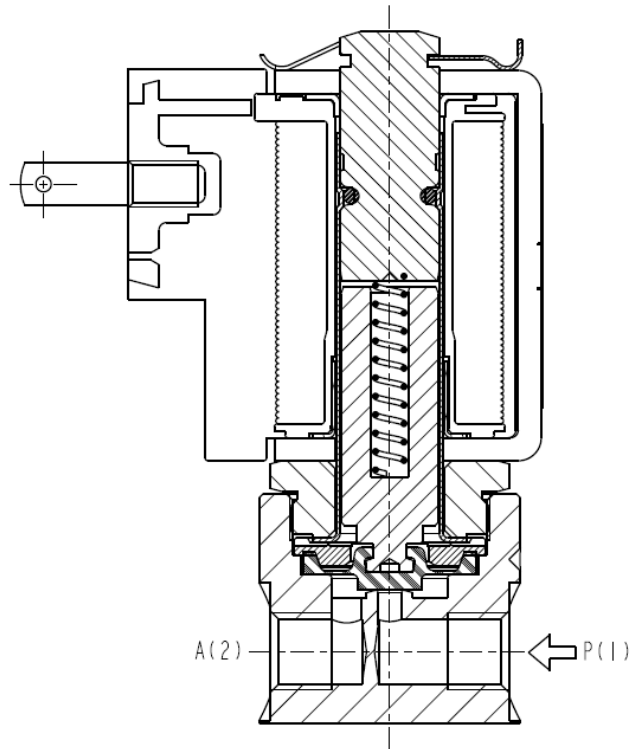
D103V06



## FUNCTIONAL SCHEME



## ► SECTIONAL VIEW



## ► MOUNTING

- Solenoid valve can be mounted in any position.

THE VALIDITY OF REPORTED DATA IS REFERRED TO THE DATE OF ISSUE. POSSIBLE UPDATES ARE AVAILABLE ON REQUEST.