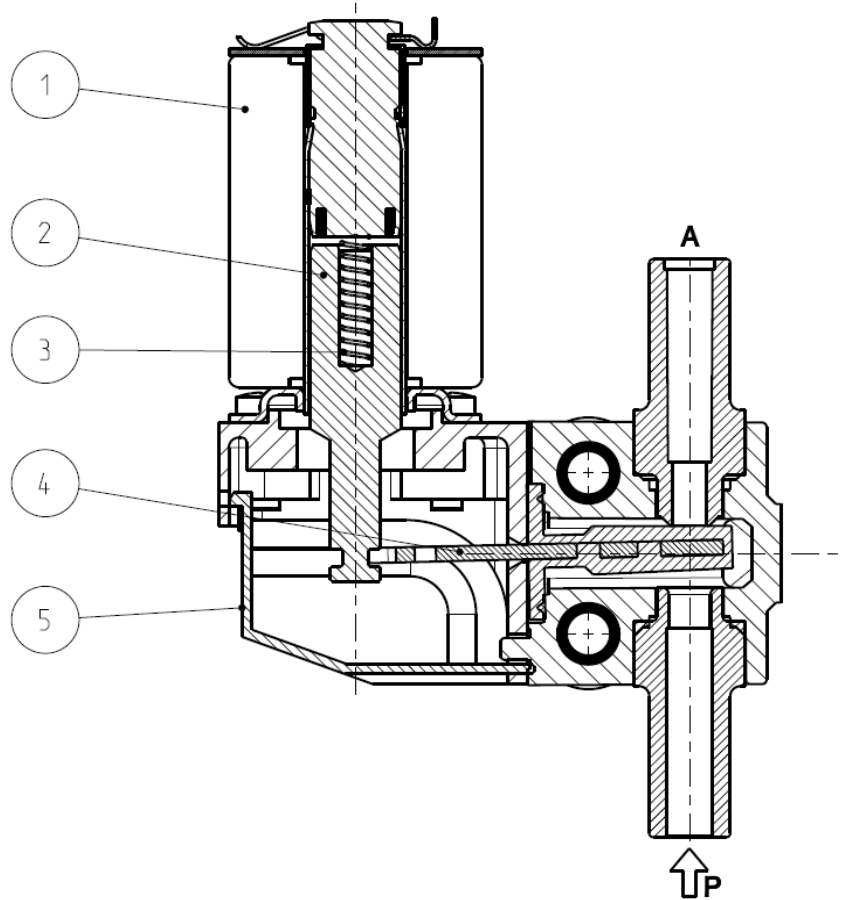




► SPARE PARTS



Kit description	Kit P.N.	Consisting of:
Core kit	G3049401	Core pos.2 Core return spring pos.3
Lever seal	D118D03 2815206R D118S03 2815202R D118V03 2815203R	Lever seal pos.4
Cover kit	G2883901	N. 10 cover pos. 5
Coil	Z610A	Coil pos. 1

► MOUNTING

- Solenoid valve can be mounted in any position.

THE VALIDITY OF REPORTED DATA IS REFERRED TO THE DATE OF ISSUE. POSSIBLE UPDATES ARE AVAILABLE ON REQUEST.