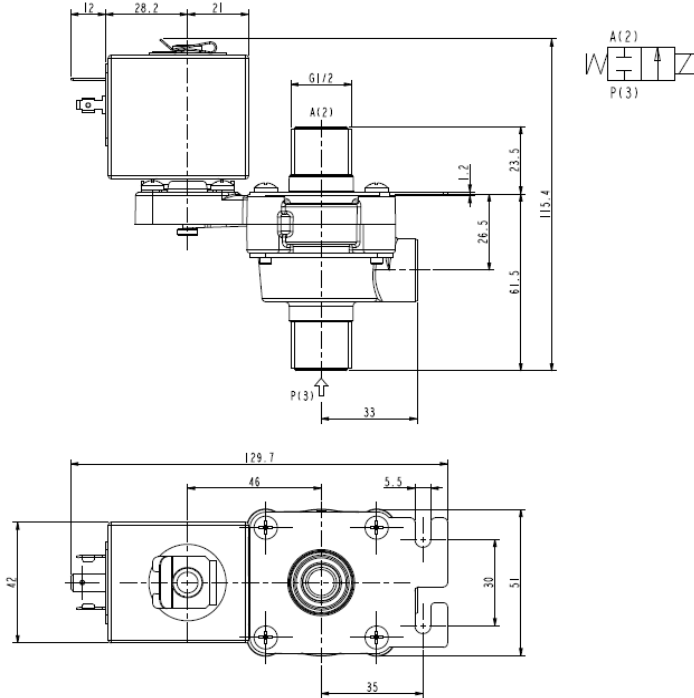




SOLENOID VALVE - DRY
2/2 - NC (Normally closed)
 Direct acting - Total isolation
G 1/2

D132D25



► **GENERAL FEATURES**

Direct acting, total isolation solenoid valve: the actuator is totally isolated from the medium so that the wetted parts are just the body and the diaphragm.
 Possibility of disassembling for inspection.
 Core duly coated by PTFE (polytetrafluoroethylene) based self lubricating material.
 Suitable to shut off liquid and gaseous fluids (verify the compatibility of fluid with materials in contact).

► **TECHNICAL FEATURES**

Maximum allowable pressure (PS) 2 bar
 Opening time ~ 30ms
 Closing time ~ 30ms
 Fluid temperature -10°C +100°C
 Max viscosity 5°E (~37 cStokes or mm²/s)

► **MATERIALS IN CONTACT WITH FLUID**

Body PPS (see notes)
 Sealing EPDM

► **COIL**

Continuous duty ED 100%
 Encapsulation material PET (polyethylene terephthalate) fiberglass reinforced
 Coil insulation class F (140°C)
 Ambient temperature -10°C +60°C
 Electric connections DIN 46340 - 3 poles connector (EN175301-803)
 Protection degree IP 65 (EN 60529) with plug connector
 Voltages DC 12-24V (+10% -5%)
 AC 24V/50Hz - 110V/50Hz (120V/60Hz) - 230V/50Hz (+10% -15%)
 (Other voltages and frequencies on request)

Port size ISO 228	Orifice size (mm)	Differential pressure (bar)						Kv (m³/h)	Series and type		Power absorption			Sealings	Notes	Weight (kg)
		Δp min	Δp max				Valve		Coil	AC (VA)		DC (W)				
			Gases		Liquids					Inrush	Holding					
			AC	DC	AC	DC										
G 1/2	9	0	1,6	0,25	1,6	0,25	1,6	D132D25	Z130A	44	24	13	EPDM	-	0,520	

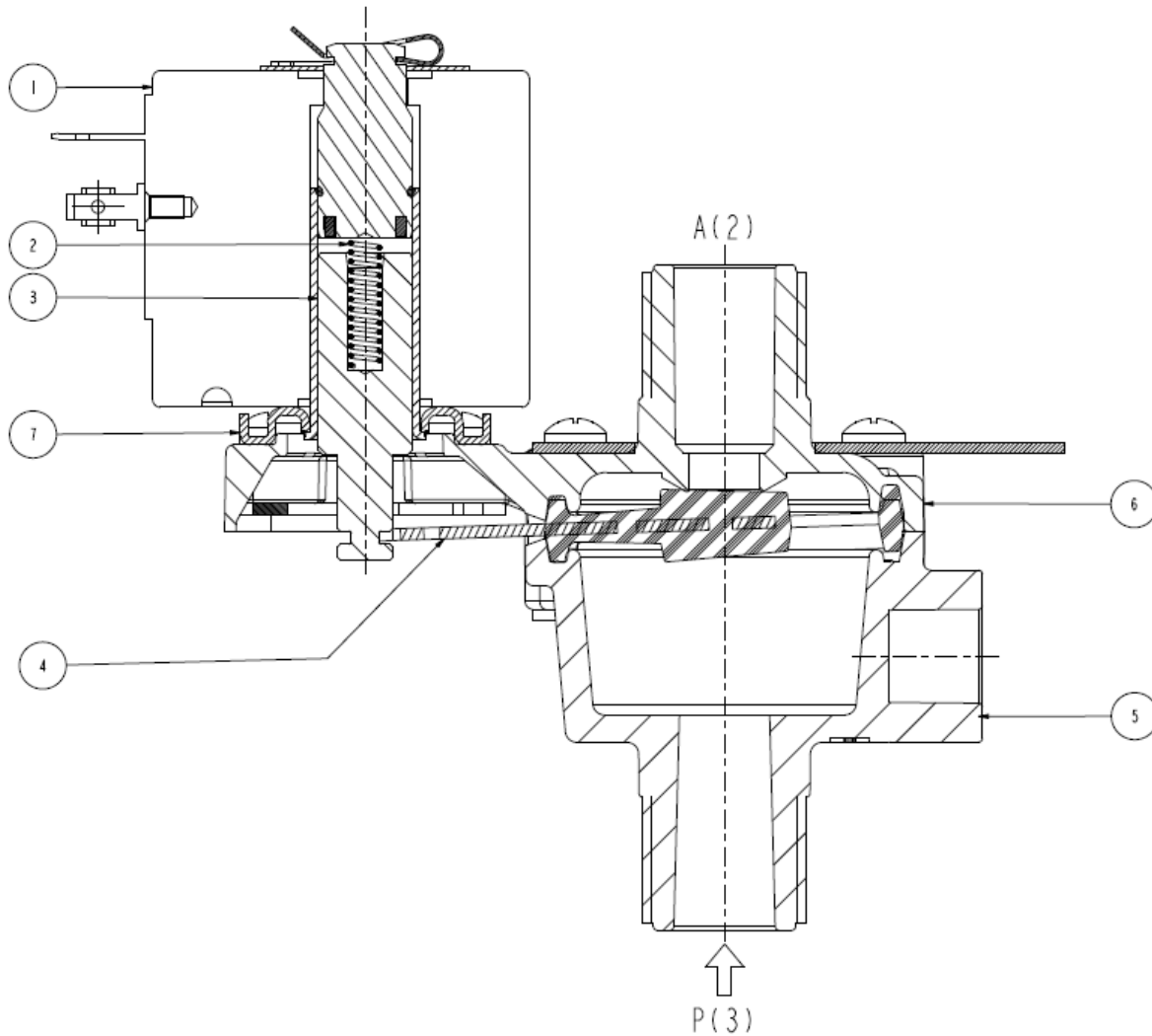
► **NOTES**

- Sealings : EPDM = Ethylene-propylene elastomer
 - Body: PPS (Polyphenylene-sulfide) fiberglass reinforced, WRAS/KTW and NSF approval



D132D25

► SPARE PARTS



Kit description

Body kit

Core kit

Lever seal

Kit guide assembly

Coil

Kit P.N.

G2986604

G2992801

3037305R

G31523

Z130A

Consisting of:

Upper body pos.6
Lower body pos.5

Core return spring pos.2
Core pos.3

Lever seal pos.4

Guide assembly pos.7
Coil clip

Coil pos. 1

► INSTALLATION

- Solenoid valve can be mounted in any position; vertical with coil upwards preferred.
- In case of disassembling for usual maintenance, the fixing screws have to be tightened at 1,5 Nm max torque.
- Maximum driving torque of the pipe fittings for thread connections = 15Nm.

THE VALIDITY OF REPORTED DATA IS REFERRED TO THE DATE OF ISSUE. POSSIBLE UPDATES ARE AVAILABLE ON REQUEST.