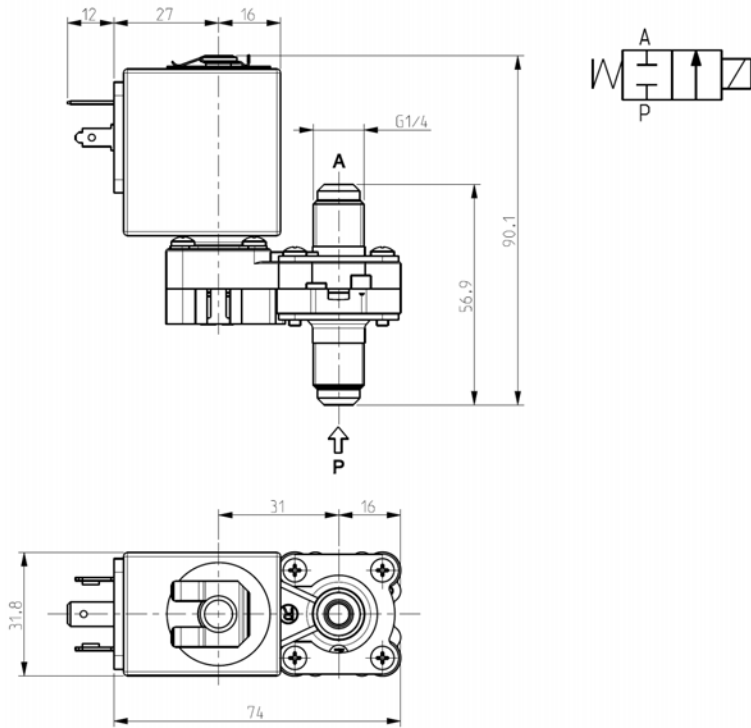




SOLENOID VALVE - DRY
2/2 - NC (Normally closed)
Direct acting - Total isolation
G 1/4

D144D13



► **GENERAL FEATURES**

Direct acting, total isolation solenoid valve: the actuator is totally isolated from the medium so that the wetted parts are just the body and the lever-seal.

Possibility of disassembling for inspection.

Core duly coated by PTFE (polytetrafluoroethylene) based self lubricating material.

Suitable to shut off liquid and gaseous fluids (verify the compatibility of fluid with materials in contact).

► **TECHNICAL FEATURES**

<i>Maximum allowable pressure (PS)</i>	12 bar
<i>Opening time</i>	~ 25ms
<i>Closing time</i>	~ 25ms
<i>Fluid temperature</i>	-10°C +100°C
<i>Max viscosity</i>	5°E (~37 cStokes or mm ² /s)

► **MATERIALS IN CONTACT WITH FLUID**

<i>Body</i>	PEI (Polyetherimide)
<i>Sealing</i>	EPDM

► **COIL**

<i>Continuous duty</i>	ED 100%
<i>Encapsulation material</i>	PET (polyethylene terephthalate) fiberglass reinforced
<i>Coil insulation class</i>	F(140°C)
<i>Ambient temperature</i>	-10°C +60°C
<i>Electric connections</i>	DIN 46340 - 3 poles connector (DIN 43650)
<i>Protection degree</i>	IP 65 (EN 60529) with plug connector
<i>Voltages</i>	DC 12-24V (+10% -5%)
	AC 24V/50Hz - 110V/50Hz (120V/60Hz) - 230V/50Hz (+10% -15%)
	(Other voltages and frequencies on request)

Port size ISO 228	Orifice size (mm)	Differential pressure (bar)						Kv (m ³ /h)	Series and type		Power absorption			Sealings	Notes	Weight (kg)
		Δp min	Δp max				Valve		Coil	AC (VA)		DC (W)				
			Gases		Liquids					Inrush	Holding					
			AC	DC	AC	DC										
G 1/4	5,5	0	4,5	1	4,5	1	0,55	D144D13	Z530A	23	14	9	EPDM	-	0,255	

► **NOTES**

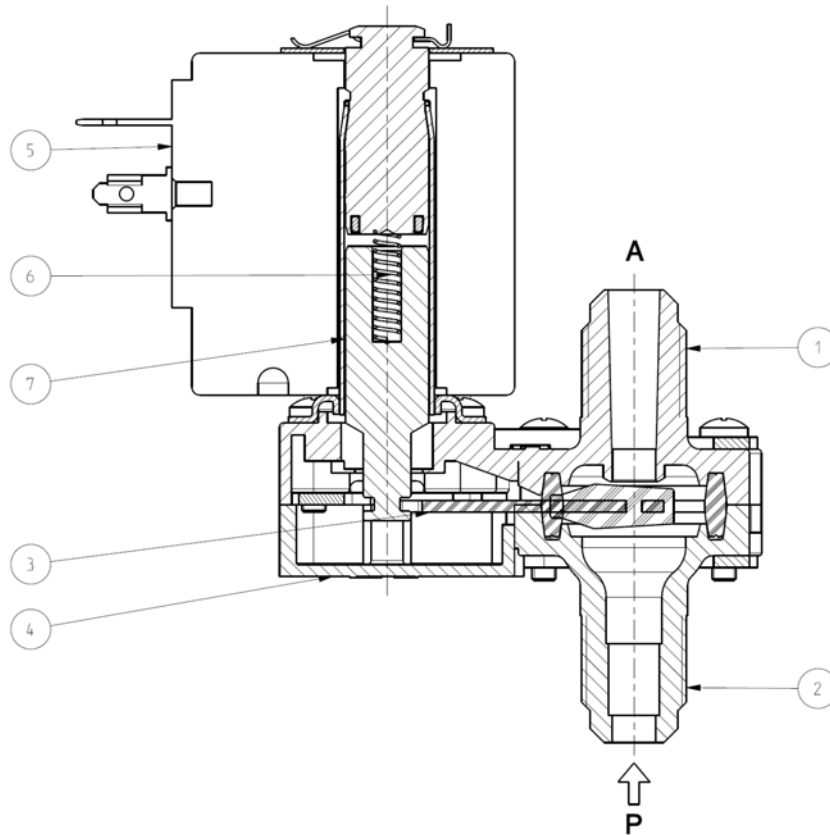
- Sealings : EPDM = Ethylene-propylene elastomer

1307/1703



D144D13

► SPARE PARTS



Kit description	Kit P.N.	Consisting of:
Body kit	G2846802	Upper body pos.1 Lower body pos.2
Core kit	G2999201	Core return spring pos.6 Core pos.7
Lever seal	2977703R	Lever seal pos.3
Cover	3119801R	Cover pos.4
Coil	Z530A	Coil pos. 5

► INSTALLATION

- In case of disassembling for usual maintenance, the fixing screws have to be tightened at 0,6 Nm max torque.
- Solenoid valve can be mounted in any position.
- Maximum driving torque of the pipe fittings for thread connections = 10Nm.

THE VALIDITY OF REPORTED DATA IS REFERRED TO THE DATE OF ISSUE. POSSIBLE UPDATES ARE AVAILABLE ON REQUEST.